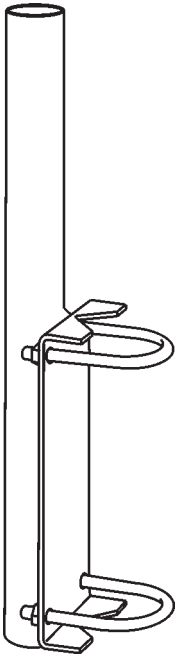


OPTIONAL FT-2 FIXING BRACKET



Type : Side Mast Fixing Bracket
Top Size : Ø 38 mm for antenna fitting
Bottom Size : Ø 42/50 mm for fitting on the mast
Weight (approx.) : 1100 gr
Material : Galvanized Steel

P/N 2510004.00 FT-2 Universal

Model **GP 160 LB** VHF Base Station Antenna 145-175 MHz



Installation Manual

DESCRIPTION

1/4 λ wide-band antenna for base station service covering the frequency range of 145-175 MHz. It as been developped according to the most modern technologies to assure a perfect protection against the worst atmospheric climates and to get the best performance. It is entirely made of aluminium to assure strength and robustness and its radial whip is earthed. Its 30 MHz bandwidth makes it particularly recommended for relay stations or two-party systems.

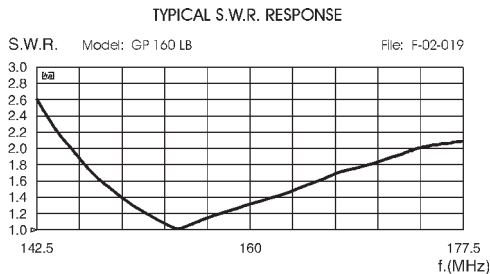
SPECIFICATIONS

Electrical Data

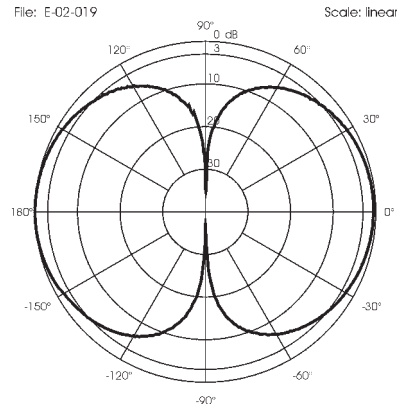
Type	:	1/4 λ Folded Ground Plane
Frequency Range	:	145-175 MHz at V.S.W.R. \leq 2:1
Impedance	:	50 Ω Unbalanced
Radiation (H-plane)	:	360° Omnidirectional
Radiation (E-plane)	:	Beamwidth at -3 dB = 78°
Radiation angle deg.	:	0°
Polarization	:	Vertical
Gain	:	0 dBd - 2.15 dBi
Bandwidth at V.S.W.R. 2:1	:	30 MHz
V.S.W.R. at res. freq.	:	\leq 1.2 : 1
Max Power	:	1000 Watts
Feed System / Position	:	Direct DC-Ground / Center
Connector	:	
GP 160 LB - U	:	UHF Female, gold plated central pin
GP 160 LB - N	:	N Female, gold plated central pin and teflon insulator

Mechanical Data

Materials	:	Anodized Aluminium, Nylon, Stainless Steel
Wind Load / Resistance	:	43 N at 150 Km/h / 160 Km/h
Wind Surface	:	0.04 m ²
Height (approx.)	:	700 mm
Weight (approx.)	:	1150 gr
Mounting Mast	:	\varnothing 36-40 mm



TYPICAL RADIATION PATTERN in E-plane at 160 MHz



MOUNTING INSTRUCTIONS

