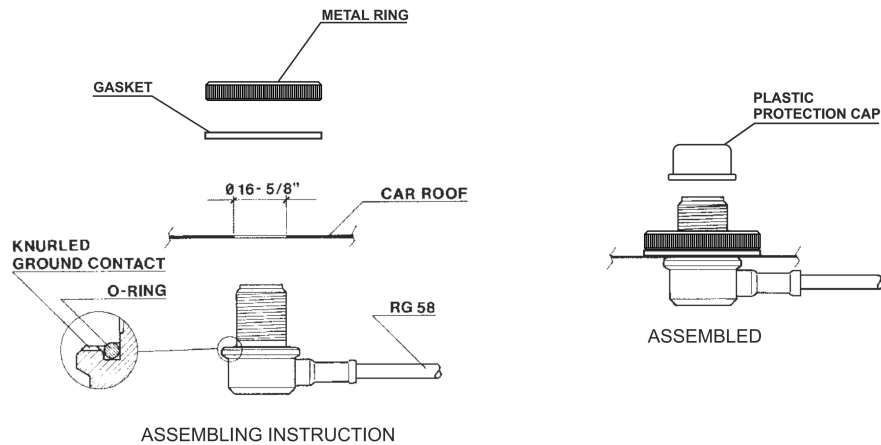


SO-239 cable

Angular Connector with 4m/13ft coaxial cable

TECHNICAL DATA

Frequency Range: DC-500MHz
 Impedance: $50 \pm 2 \Omega$
 Antenna Connector: UHF-Female, gold plated central pin
 Connector insulator: PTFE
 Cable Length / Type: 4m; 13 ft / RG 58
 Cable Temperature: -40°C to +70°C
 Cable Attenuation: 0,5dB @ 50MHz; 0,8dB @ 150MHz; 1,7dB @ 500MHz
 Max Power: ... 500Watts @ 50MHz; 300Watts @ 150MHz; 150Watts @ 500MHz



SO-239

Angular Connector

TECHNICAL DATA

Frequency Range: DC-500MHz
 Impedance: $50 \pm 2 \Omega$
 Antenna Connector: UHF-Female, gold plated central pin
 Connector insulator: PTFE
 Cable: Not supplied
 Cable connection: for RG58. Screen: screw on. Central conductor: solder

