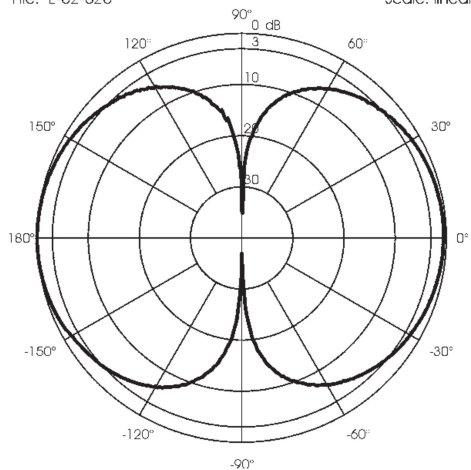


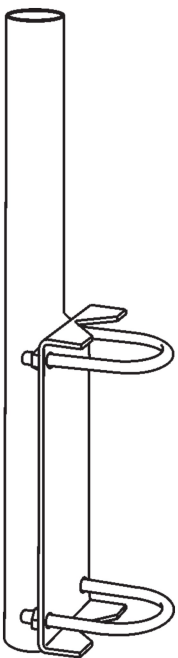
TYPICAL RADIATION PATTERN in E-plane at 122 MHz

File: E-02-020

Scale: linear



OPTIONAL FT-2 FIXING BRACKET



Type : Side Mast Fixing Bracket
Top Size : \varnothing 38 mm for antenna fitting
Bottom Size : \varnothing 42/50 mm for fitting on the mast
Weight (approx.) : 1100 gr
Material : Galvanized Steel

P/N 2510004.00 FT-2 Universal

GP 87-108 LB FM RADIO BAND
GP 108-136 LB VHF AIRCRAFT BAND



Installation Manual

DESCRIPTION

1/4 λ Ground Plane wide-band antenna for base station service. It is made of aluminium and hi-quality materials to get the best efficiency and robustness. Its radial whip is earthed to be protected against the static discharges. GP 87-108 LB is developed for FM radio band and GP 108-136 LB is particularly recommended for the aeronautic band service.

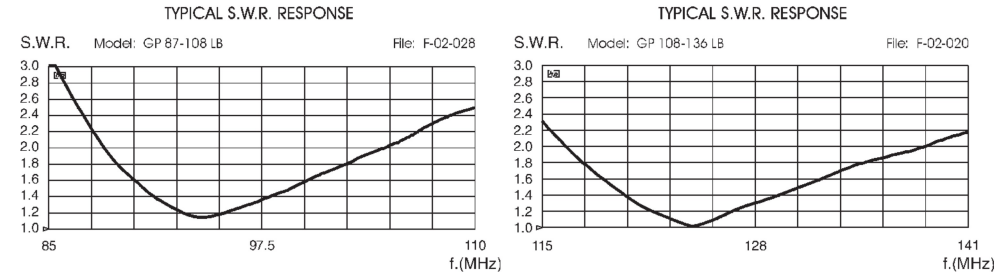
SPECIFICATIONS

Electrical Data

| | | |
|----------------------------|---|--|
| Type | : | 1/4 λ Folded Ground Plane |
| Frequency Range | : | |
| GP 87-108 LB | : | RADIO band: 87-108 MHz at V.S.W.R. \leq 2.5 : 1 |
| GP 108-136 LB | : | VHF AIR. band: Rx 108-136 MHz; Tx 118-136 at V.S.W.R. \leq 2:1 |
| Impedance | : | 50 Ω Unbalanced |
| Radiation (H-plane) | : | 360° Omnidirectional |
| Radiation (E-plane) | : | Beamwidth at -3 dB = 78° |
| Radiation angle deg. | : | 0° |
| Polarization | : | Vertical |
| Gain | : | 0 dBd - 2.15 dBi |
| Bandwidth at V.S.W.R. 2:1 | : | |
| GP 108-136 LB | : | 22 MHz |
| V.S.W.R. at res. freq. | : | \leq 1.2 : 1 |
| Max Power | : | 1000 Watts |
| Feed System / Position | : | Direct DC-Ground / Center |
| Connector | : | |
| GP 87-108 / 108-136 LB-U : | | UHF Female |
| GP 87-108 / 108-136 LB-N : | | N Female |

Mechanical Data

| | | |
|------------------------|---|--|
| Materials | : | Anodized Aluminium, Nylon, Stainless Steel |
| Wind Load / Resistance | : | |
| GP 87-108 LB | : | 67 N at 150 Km/h / 160 Km/h |
| GP 108-136 LB | : | 56 N at 150 Km/h / 160 Km/h |
| Wind Surface | : | |
| GP 87-108 LB | : | 0.06 m ² |
| GP 108-136 LB | : | 0.05 m ² |
| Height (approx.) | : | |
| GP 87-108 LB | : | 1190 mm |
| GP 108-136 LB | : | 890 mm |
| Weight (approx.) | : | |
| GP 87-108 LB | : | 1500 gr |
| GP 108-136 LB | : | 1310 gr |
| Mounting Mast | : | \varnothing 36-40 mm |



MOUNTING INSTRUCTIONS

