

IC-A25N/IC-A25C/IC-A25NE/IC-A25CE

NOTE: Use these amended pages as one addendum set.

Do not mix them up with the previous master pages.

	Definitions
Replacement page	The page to replace the original one.
Addendum page	The page to be added to the original set.
Amended page	The page to be added as change history, including corrections.

Page number information

The number of revisions can be easily understood by the addendum service manual's page number.

The number of revisions (a, b, c, ...) is added after the page number.

CONTENTS

SECTION 5	PARTS LIST	5-1c ~ 5-28c
SECTION 6	MECHANICAL PARTS	6-1c ~ 6-3c
SECTION 7	BOARD LAYOUT	7-1c ~ 7-6c
SECTION 8	BLOCK DIAGRAM	8-1c and 8-2c
SECTION 9	VOLTAGE DIAGRAM	9-1c ~ 9-10c

Version List

MODEL	Version Number†	Version	VOR/GPS	Bluetooth	WX Alert	Installed Unit			Remarks
						LOGIC-1	MAIN-1	MAIN-2	
IC-A25NE	#13	EUR-01	✓	✓	-	✓	✓	-	Discontinued (End S/No.: 13101700)
IC-A25NE	#14	AUS-01	✓	✓	-	✓	✓	-	Discontinued (End S/No.: 14001550)
IC-A25N	#16	USA-02	✓	✓	✓	✓	✓	-	Discontinued (End S/No.: 16005500)
IC-A25N	#17	EXP-02	✓	✓	✓	✓	✓	-	Discontinued (End S/No.: 17002800)
IC-A25CE	#23	EUR-01	-	-	-	✓	✓	-	Discontinued (End S/No.: 23002300)
IC-A25C	#26	USA-04	-	-	✓	✓	✓	-	Discontinued (End S/No.: 26002400)
IC-A25CE	#33	EUR-02	-	-	-	✓	✓	-	Discontinued (End S/No.: 33103712)
IC-A25CE	#34	AUS-02	-	-	-	✓	✓	-	Discontinued (End S/No.: 34001700)
IC-A25C	#36	USA-03	-	-	✓	✓	✓	-	Discontinued (End S/No.: 36003400)
IC-A25NE	#43	EUR-02	✓	✓	-	✓	-	✓	-
IC-A25NE	#44	AUS-02	✓	✓	-	✓	-	✓	-
IC-A25N	#46	USA-03	✓	✓	✓	✓	-	✓	-
IC-A25N	#47	EXP-03	✓	✓	✓	✓	-	✓	-
IC-A25CE	#53	EUR-03	-	-	-	✓	-	✓	-
IC-A25C	#56	USA-05	-	-	✓	✓	-	✓	-
IC-A25CE	#63	EUR-04	-	-	-	✓	-	✓	-
IC-A25CE	#64	AUS-03	-	-	-	✓	-	✓	-
IC-A25C	#66	USA-06	-	-	✓	✓	-	✓	-
IC-A25C	#68*	EXP-03	-	-	✓	✓	-	✓	-

This addendum service manual provides service information for the versions listed above, excluding out of production versions.

†The first two digits of the serial number show its Version Number.

*Newly added versions.

✓: Applicable

NOTE for SECTION 2 INSIDE VIEWS and SECTION 3 DISASSEMBLY INSTRUCTIONS

The MAIN/MAIN-1 and MAIN/-1 also includes MAIN-2 UNIT.

Therefore, read MAIN/MAIN-1 and MAIN/-1 as "MAIN UNIT/MAIN-1 UNIT/MAIN-2 UNIT" in the above section.

SECTION 5

PARTS LIST

The underlined parts have been updated from the addendum of the previous version, or from the original page.

[LOGIC-1 UNIT]

REF NO.	PART NO.	DESCRIPTION	M.	H/V LOCATION	REF NO.	PART NO.	DESCRIPTION	M.	H/V LOCATION			
IC1	1190004712	S.IC HRM1016-010022 (EX3873A-2) [#13]	T	37.3/13.5	IC41	1180003460	S.REG NJM2831F05-TE1	B	29.1/64.5			
	1190004712	S.IC HRM1016-010022 (EX3873A-2) [#14]				Q3	1530003630	S.TRA 2SC4617 TLS		B	24.9/72.7	
	1190004712	S.IC HRM1016-010022 (EX3873A-2) [#16]				Eqv.	1530004190	S.TRA L2SC4617ST1G				
	1190004712	S.IC HRM1016-010022 (EX3873A-2) [#17]				Q5	1590001940	S.TRA DTC144EE TL		T		36.3/21.2
	1190004712	S.IC HRM1016-010022 (EX3873A-2) [#43]				Eqv.	1590004070	S.TRA LDTC144EET1G				
	1190004712	S.IC HRM1016-010022 (EX3873A-2) [#44]				Eqv.	1590005870	S.TRA DTC144EE				
	1190004712	S.IC HRM1016-010022 (EX3873A-2) [#46]				Q5	1590001940	S.TRA DTC144EE TL				
	1190004712	S.IC HRM1016-010022 (EX3873A-2) [#47]				Eqv.	1590004070	S.TRA LDTC144EET1G				
IC11	1110003790	S.IC NJM2903V-TE1 [#13]	B	17.6/8.1	Eqv.	1590005870	S.TRA DTC144EE					
	1110003790	S.IC NJM2903V-TE1 [#14]			Q5	1590001940	S.TRA DTC144EE TL					
	1110003790	S.IC NJM2903V-TE1 [#16]			Eqv.	1590004070	S.TRA LDTC144EET1G					
	1110003790	S.IC NJM2903V-TE1 [#17]			Eqv.	1590005870	S.TRA DTC144EE					
	1110003790	S.IC NJM2903V-TE1 [#43]			Q5	1590001940	S.TRA DTC144EE TL					
	1110003790	S.IC NJM2903V-TE1 [#44]			Eqv.	1590004070	S.TRA LDTC144EET1G					
	1110003790	S.IC NJM2903V-TE1 [#46]			Eqv.	1590005870	S.TRA DTC144EE					
	1110003790	S.IC NJM2903V-TE1 [#47]			Q5	1590001940	S.TRA DTC144EE TL					
IC12	1110006470	S.IC LMV3241PWR [#13]	B	24.1/19.7	Eqv.	1590004070	S.TRA LDTC144EET1G					
	1110006470	S.IC LMV3241PWR [#14]			Eqv.	1590005870	S.TRA DTC144EE					
	1110006470	S.IC LMV3241PWR [#16]			Q5	1590001940	S.TRA DTC144EE TL					
	1110006470	S.IC LMV3241PWR [#17]			Eqv.	1590004070	S.TRA LDTC144EET1G					
	1110006470	S.IC LMV3241PWR [#43]			Eqv.	1590005870	S.TRA DTC144EE					
	1110006470	S.IC LMV3241PWR [#44]			Q13	1530004140	S.TRA L2SC4081RT1G	B	21.1/12.6			
	1110006470	S.IC LMV3241PWR [#46]			Eqv.	1530004690	S.TRA 2SC4081 R					
	1110006470	S.IC LMV3241PWR [#47]			Q13	1530004140	S.TRA L2SC4081RT1G					
IC13	1110006740	S.IC LMV3581PWR [#13]	B	8.4/11.0	Eqv.	1530004690	S.TRA 2SC4081 R					
	1110006740	S.IC LMV3581PWR [#14]			Q13	1530004140	S.TRA L2SC4081RT1G					
	1110006740	S.IC LMV3581PWR [#16]			Eqv.	1530004690	S.TRA 2SC4081 R					
	1110006740	S.IC LMV3581PWR [#17]			Q13	1530004140	S.TRA L2SC4081RT1G					
	1110006740	S.IC LMV3581PWR [#43]			Eqv.	1530004690	S.TRA 2SC4081 R					
	1110006740	S.IC LMV3581PWR [#44]			Q13	1530004140	S.TRA L2SC4081RT1G					
	1110006740	S.IC LMV3581PWR [#46]			Eqv.	1530004690	S.TRA 2SC4081 R					
	1110006740	S.IC LMV3581PWR [#47]			Q13	1530004140	S.TRA L2SC4081RT1G					
IC17	1190004620	S.IC GSU-141A-098A (CXD5431-06) [#13]	B	23.8/85.9	Eqv.	1530004690	S.TRA 2SC4081 R					
	1190004620	S.IC GSU-141A-098A (CXD5431-06) [#14]			Q13	1530004140	S.TRA L2SC4081RT1G					
	1190004620	S.IC GSU-141A-098A (CXD5431-06) [#16]			Eqv.	1530004690	S.TRA 2SC4081 R					
	1190004620	S.IC GSU-141A-098A (CXD5431-06) [#17]			Q15	1590004530	S.TRA DMG564050R	B	24.9/29.6			
	1190004620	S.IC GSU-141A-098A (CXD5431-06) [#43]			Eqv.	1590004530	S.TRA DMG564050R					
	1190004620	S.IC GSU-141A-098A (CXD5431-06) [#44]			Eqv.	1590004530	S.TRA DMG564050R					
	1190004620	S.IC GSU-141A-098A (CXD5431-06) [#46]			Eqv.	1590004530	S.TRA DMG564050R					
	1190004620	S.IC GSU-141A-098A (CXD5431-06) [#47]			Eqv.	1590006100	S.TRA RN4911LF					
	IC27	1140018060	S.IC R5F52108BDLK		B	31.0/52.9	Eqv.	1590006100		S.TRA RN4911LF		
		1180004760	S.REG S-1200B33-M5T1U [#13]		T		Eqv.	1590006100		S.TRA RN4911LF		
		1180004760	S.REG S-1200B33-M5T1U [#14]				Eqv.	1590006100		S.TRA RN4911LF		
		1180004760	S.REG S-1200B33-M5T1U [#16]				Eqv.	1590006100		S.TRA RN4911LF		
1180004760		S.REG S-1200B33-M5T1U [#17]		Q16	1590001940		S.TRA DTC144EE TL	B		40.5/11.3		
1180004760		S.REG S-1200B33-M5T1U [#43]		Eqv.	1590004070		S.TRA LDTC144EET1G					
1180004760		S.REG S-1200B33-M5T1U [#44]		Eqv.	1590005870		S.TRA DTC144EE					
1180004760		S.REG S-1200B33-M5T1U [#46]		Q16	1590001940		S.TRA DTC144EE TL					
1180004760		S.REG S-1200B33-M5T1U [#47]		Eqv.	1590004070		S.TRA LDTC144EET1G					
IC30		1180004760	S.REG S-1200B33-M5T1U [#13]	B	32.5/96.5		Eqv.	1590005870	S.TRA DTC144EE			
		1180004760	S.REG S-1200B33-M5T1U [#14]				Q16	1590001940	S.TRA DTC144EE TL			
		1180004760	S.REG S-1200B33-M5T1U [#16]				Eqv.	1590004070	S.TRA LDTC144EET1G			
	1180004760	S.REG S-1200B33-M5T1U [#17]		Eqv.		1590005870	S.TRA DTC144EE					
	1180004760	S.REG S-1200B33-M5T1U [#43]		Q16		1590001940	S.TRA DTC144EE TL					
	1180004760	S.REG S-1200B33-M5T1U [#44]		Eqv.		1590004070	S.TRA LDTC144EET1G					
	1180004760	S.REG S-1200B33-M5T1U [#46]		Eqv.		1590005870	S.TRA DTC144EE					
	1180004760	S.REG S-1200B33-M5T1U [#47]		Q16		1590001940	S.TRA DTC144EE TL					
	IC31	1180004760	S.REG S-1200B33-M5T1U [#13]	B		32.5/96.5	Eqv.	1590004070	S.TRA LDTC144EET1G			
		1180004760	S.REG S-1200B33-M5T1U [#14]				Eqv.	1590005870	S.TRA DTC144EE			
		1180004760	S.REG S-1200B33-M5T1U [#16]				Q16	1590001940	S.TRA DTC144EE TL			
		1180004760	S.REG S-1200B33-M5T1U [#17]				Eqv.	1590004070	S.TRA LDTC144EET1G			
1180004760		S.REG S-1200B33-M5T1U [#43]		Eqv.	1590005870		S.TRA DTC144EE					
1180004760		S.REG S-1200B33-M5T1U [#44]		Q16	1590001940		S.TRA DTC144EE TL					
1180004760		S.REG S-1200B33-M5T1U [#46]		Eqv.	1590004070		S.TRA LDTC144EET1G					
1180004760		S.REG S-1200B33-M5T1U [#47]		Eqv.	1590005870		S.TRA DTC144EE					
IC32		1110006490	S.IC LMV321IDCKR [#13]	B	38.6/5.1		Eqv.	1590004070	S.TRA LDTC144EET1G			
		1110006490	S.IC LMV321IDCKR [#14]				Eqv.	1590005870	S.TRA DTC144EE			
		1110006490	S.IC LMV321IDCKR [#16]				Q16	1590001940	S.TRA DTC144EE TL			
		1110006490	S.IC LMV321IDCKR [#17]				Eqv.	1590004070	S.TRA LDTC144EET1G			
	1110006490	S.IC LMV321IDCKR [#43]		Eqv.		1590005870	S.TRA DTC144EE					
	1110006490	S.IC LMV321IDCKR [#44]		Q16		1590001940	S.TRA DTC144EE TL					
	1110006490	S.IC LMV321IDCKR [#46]		Eqv.		1590004070	S.TRA LDTC144EET1G					
	1110006490	S.IC LMV321IDCKR [#47]		Eqv.		1590005870	S.TRA DTC144EE					
IC34	1180003570	S.REG NJM2830U1-33-TE1	B	39.7/44.0	IC35	1130014260	S.IC SN74LVC2GU04DCKR	B	29.0/13.8			
	1130014260	S.IC SN74LVC2GU04DCKR	B			IC36	1130014260	S.IC SN74LVC2GU04DCKR		B	40.9/31.9	
IC37	1130016621	S.IC GT24C128B-2ZLI-TR	B	31.3/68.1	IC38		1110007780	S.IC NJU7704F3-28A-TE1	B	22.4/67.7		
	1110007780	S.IC NJU7704F3-28A-TE1	B			IC39	1110007780	S.IC NJU7704F3-28A-TE1	T		22.1/13.2	
IC39	1110007780	S.IC NJU7704F3-28A-TE1 [#13]		1110007780	S.IC NJU7704F3-28A-TE1 [#14]			1110007780	S.IC NJU7704F3-28A-TE1 [#16]			
	1110007780	S.IC NJU7704F3-28A-TE1 [#17]		1110007780	S.IC NJU7704F3-28A-TE1 [#17]		1110007780	S.IC NJU7704F3-28A-TE1 [#43]				
	1110007780	S.IC NJU7704F3-28A-TE1 [#43]		1110007780	S.IC NJU7704F3-28A-TE1 [#44]		1110007780	S.IC NJU7704F3-28A-TE1 [#46]				
	1110007780	S.IC NJU7704F3-28A-TE1 [#44]		1110007780	S.IC NJU7704F3-28A-TE1 [#46]		1180005110	S.REG NJM2836DL3-05-TE1	B	31.8/35.9		
	1110007780	S.IC NJU7704F3-28A-TE1 [#46]		1180005110	S.REG NJM2836DL3-05-TE1	B						
	1110007780	S.IC NJU7704F3-28A-TE1 [#47]										

Eqv.= This component is equivalent to the REF No. component listed above, and may be substituted on parts orders and repairs.

M.=Mounted side (T: Mounted on the Top side, B: Mounted on the Bottom side)
H/V LOCATION= Shows mounting location on the PCB.

The underlined parts have been updated from the addendum of the previous version, or from the original page.

[LOGIC-1 UNIT]

REF NO.	PART NO.	DESCRIPTION	M.	H/V LOCATION	REF NO.	PART NO.	DESCRIPTION	M.	H/V LOCATION	
Q17	1590001940	S.TRA DTC144EE TL	[#13]	T	19.9/17.9	Q34	1590004070	S.TRA LDTC144EET1G	T	14.8/15.5
Eqv.	1590004070	S.TRA LDTC144EET1G	[#13]			Eqv.	1590001940	S.TRA DTC144EE TL	[#13]	
Eqv.	1590005870	S.TRA DTC144EE	[#13]			Eqv.	1590005870	S.TRA DTC144EE	[#13]	
Q17	1590001940	S.TRA DTC144EE TL	[#14]			Eqv.	1590001940	S.TRA DTC144EE TL	[#14]	
Eqv.	1590004070	S.TRA LDTC144EET1G	[#14]			Eqv.	1590005870	S.TRA DTC144EE	[#14]	
Eqv.	1590005870	S.TRA DTC144EE	[#14]			Eqv.	1590001940	S.TRA DTC144EE TL	[#16]	
Q17	1590001940	S.TRA DTC144EE TL	[#16]			Eqv.	1590005870	S.TRA DTC144EE	[#16]	
Eqv.	1590004070	S.TRA LDTC144EET1G	[#16]			Eqv.	1590001940	S.TRA DTC144EE TL	[#17]	
Eqv.	1590005870	S.TRA DTC144EE	[#16]			Eqv.	1590005870	S.TRA DTC144EE	[#17]	
Q17	1590001940	S.TRA DTC144EE TL	[#17]			Eqv.	1590001940	S.TRA DTC144EE TL	[#26]	
Eqv.	1590004070	S.TRA LDTC144EET1G	[#17]			Eqv.	1590005870	S.TRA DTC144EE	[#26]	
Eqv.	1590005870	S.TRA DTC144EE	[#17]			Eqv.	1590001940	S.TRA DTC144EE TL	[#33]	
Q17	1590001940	S.TRA DTC144EE TL	[#43]			Eqv.	1590005870	S.TRA DTC144EE	[#33]	
Eqv.	1590004070	S.TRA LDTC144EET1G	[#43]			Eqv.	1590001940	S.TRA DTC144EE TL	[#34]	
Eqv.	1590005870	S.TRA DTC144EE	[#43]			Eqv.	1590005870	S.TRA DTC144EE	[#34]	
Q17	1590001940	S.TRA DTC144EE TL	[#44]			Eqv.	1590001940	S.TRA DTC144EE TL	[#36]	
Eqv.	1590004070	S.TRA LDTC144EET1G	[#44]			Eqv.	1590005870	S.TRA DTC144EE	[#36]	
Eqv.	1590005870	S.TRA DTC144EE	[#44]			Eqv.	1590001940	S.TRA DTC144EE TL	[#43]	
Q17	1590001940	S.TRA DTC144EE TL	[#46]			Eqv.	1590005870	S.TRA DTC144EE	[#43]	
Eqv.	1590004070	S.TRA LDTC144EET1G	[#46]			Eqv.	1590001940	S.TRA DTC144EE TL	[#44]	
Eqv.	1590005870	S.TRA DTC144EE	[#46]			Eqv.	1590005870	S.TRA DTC144EE	[#44]	
Q17	1590001940	S.TRA DTC144EE TL	[#47]			Eqv.	1590001940	S.TRA DTC144EE TL	[#46]	
Eqv.	1590004070	S.TRA LDTC144EET1G	[#47]			Eqv.	1590005870	S.TRA DTC144EE	[#46]	
Eqv.	1590005870	S.TRA DTC144EE	[#47]			Eqv.	1590001940	S.TRA DTC144EE TL	[#47]	
Q22	1530004000	S.TRA 2SC4738-GR(TE85LF)		B	32.4/14.2	Eqv.	1590005870	S.TRA DTC144EE TL	[#47]	
Q23	1510001100	S.TRA 2SA1832-GR(TE85RF)		B	28.1/17.0	Eqv.	1590001940	S.TRA DTC144EE TL	[#53]	
Q24	1510001100	S.TRA 2SA1832-GR(TE85RF)		B	40.8/28.5	Eqv.	1590005870	S.TRA DTC144EE	[#53]	
Q25	1560001730	S.FET RUE002N02 TL		B	35.8/29.7	Eqv.	1590001940	S.TRA DTC144EE TL	[#56]	
Q31	1510001100	S.TRA 2SA1832-GR(TE85RF)		T	14.7/13.5	Eqv.	1590005870	S.TRA DTC144EE	[#56]	
Q32	1510001100	S.TRA 2SA1832-GR(TE85RF)		T	13.4/18.5	Eqv.	1590001940	S.TRA DTC144EE TL	[#63]	
Q33	1590004070	S.TRA LDTC144EET1G		T	17.2/7.4	Eqv.	1590005870	S.TRA DTC144EE	[#63]	
Eqv.	1590001940	S.TRA DTC144EE TL	[#13]			Eqv.	1590001940	S.TRA DTC144EE TL	[#64]	
Eqv.	1590005870	S.TRA DTC144EE	[#13]			Eqv.	1590005870	S.TRA DTC144EE	[#64]	
Eqv.	1590001940	S.TRA DTC144EE TL	[#14]			Eqv.	1590001940	S.TRA DTC144EE TL	[#66]	
Eqv.	1590005870	S.TRA DTC144EE	[#14]			Eqv.	1590005870	S.TRA DTC144EE	[#66]	
Eqv.	1590001940	S.TRA DTC144EE TL	[#16]			Eqv.	1590001940	S.TRA DTC144EE TL	[#68]	
Eqv.	1590005870	S.TRA DTC144EE	[#16]			Eqv.	1590005870	S.TRA DTC144EE	[#68]	
Eqv.	1590001940	S.TRA DTC144EE TL	[#17]							
Eqv.	1590005870	S.TRA DTC144EE	[#17]							
Eqv.	1590001940	S.TRA DTC144EE TL	[#26]			D1	1750001810	S.DIO L1SS400T1G	T	5.4/19.4
Eqv.	1590005870	S.TRA DTC144EE	[#26]			D2	1750004900	S.DIO UMN10NTR	T	3.4/16.6
Eqv.	1590001940	S.TRA DTC144EE TL	[#33]			D3	1750001810	S.DIO L1SS400T1G	[#43]	
Eqv.	1590005870	S.TRA DTC144EE	[#33]				1750001810	S.DIO L1SS400T1G	[#44]	
Eqv.	1590001940	S.TRA DTC144EE TL	[#34]				1750001810	S.DIO L1SS400T1G	[#46]	
Eqv.	1590005870	S.TRA DTC144EE	[#34]				1750001810	S.DIO L1SS400T1G	[#47]	
Eqv.	1590001940	S.TRA DTC144EE TL	[#36]				1750001810	S.DIO L1SS400T1G	[#53]	
Eqv.	1590005870	S.TRA DTC144EE	[#36]				1750001810	S.DIO L1SS400T1G	[#56]	
Eqv.	1590001940	S.TRA DTC144EE TL	[#43]				1750001810	S.DIO L1SS400T1G	[#63]	
Eqv.	1590005870	S.TRA DTC144EE	[#43]				1750001810	S.DIO L1SS400T1G	[#64]	
Eqv.	1590001940	S.TRA DTC144EE TL	[#44]				1750001810	S.DIO L1SS400T1G	[#66]	
Eqv.	1590005870	S.TRA DTC144EE	[#44]				1750001810	S.DIO L1SS400T1G	[#68]	
Eqv.	1590001940	S.TRA DTC144EE TL	[#46]			D4	1750001810	S.DIO L1SS400T1G	T	3.9/12.1
Eqv.	1590005870	S.TRA DTC144EE	[#46]				1750001810	S.DIO L1SS400T1G	[#23]	
Eqv.	1590001940	S.TRA DTC144EE TL	[#47]				1750001810	S.DIO L1SS400T1G	[#26]	
Eqv.	1590005870	S.TRA DTC144EE	[#47]				1750001810	S.DIO L1SS400T1G	[#33]	
Eqv.	1590001940	S.TRA DTC144EE TL	[#53]				1750001810	S.DIO L1SS400T1G	[#34]	
Eqv.	1590005870	S.TRA DTC144EE	[#53]				1750001810	S.DIO L1SS400T1G	[#36]	
Eqv.	1590001940	S.TRA DTC144EE TL	[#56]				1750001810	S.DIO L1SS400T1G	[#53]	
Eqv.	1590005870	S.TRA DTC144EE	[#56]				1750001810	S.DIO L1SS400T1G	[#56]	
Eqv.	1590001940	S.TRA DTC144EE TL	[#63]				1750001810	S.DIO L1SS400T1G	[#63]	
Eqv.	1590005870	S.TRA DTC144EE	[#63]				1750001810	S.DIO L1SS400T1G	[#64]	
Eqv.	1590001940	S.TRA DTC144EE TL	[#64]				1750001810	S.DIO L1SS400T1G	[#66]	
Eqv.	1590005870	S.TRA DTC144EE	[#64]				1750001810	S.DIO L1SS400T1G	[#68]	
Eqv.	1590001940	S.TRA DTC144EE TL	[#66]			D5	1750001810	S.DIO L1SS400T1G	T	5.1/12.1
Eqv.	1590005870	S.TRA DTC144EE	[#66]				1750001810	S.DIO L1SS400T1G	[#14]	
Eqv.	1590001940	S.TRA DTC144EE TL	[#68]				1750001810	S.DIO L1SS400T1G	[#23]	
Eqv.	1590005870	S.TRA DTC144EE	[#68]				1750001810	S.DIO L1SS400T1G	[#33]	
							1750001810	S.DIO L1SS400T1G	[#34]	
							1750001810	S.DIO L1SS400T1G	[#43]	
							1750001810	S.DIO L1SS400T1G	[#44]	
							1750001810	S.DIO L1SS400T1G	[#53]	
							1750001810	S.DIO L1SS400T1G	[#63]	
							1750001810	S.DIO L1SS400T1G	[#64]	
							1750001810	S.DIO L1SS400T1G	[#66]	
							1750001810	S.DIO L1SS400T1G	[#68]	
							1750001810	S.DIO L1SS400T1G	[#13]	
							1750001810	S.DIO L1SS400T1G	[#14]	
							1750001810	S.DIO L1SS400T1G	[#17]	
							1750001810	S.DIO L1SS400T1G	[#34]	
							1750001810	S.DIO L1SS400T1G	[#44]	
							1750001810	S.DIO L1SS400T1G	[#47]	
							1750001810	S.DIO L1SS400T1G	[#64]	
							1750001970	S.ZEN DZ2J082M0L	B	29.4/73.2
							1750004660	S.ZEN UDZVUTE-17 8.2B	B	32.5/72.5
							1750001810	S.DIO L1SS400T1G	B	13.2/6.8
							1750001810	S.DIO L1SS400T1G	[#13]	
							1750001810	S.DIO L1SS400T1G	[#14]	
							1750001810	S.DIO L1SS400T1G	[#16]	
							1750001810	S.DIO L1SS400T1G	[#17]	
							1750001810	S.DIO L1SS400T1G	[#43]	
							1750001810	S.DIO L1SS400T1G	[#44]	
							1750001810	S.DIO L1SS400T1G	[#46]	
							1750001810	S.DIO L1SS400T1G	[#47]	
							1750001810	S.DIO L1SS400T1G	[#13]	
							1750001810	S.DIO L1SS400T1G	[#14]	
							1750001810	S.DIO L1SS400T1G	[#16]	
							1750001810	S.DIO L1SS400T1G	[#17]	
							1750001810	S.DIO L1SS400T1G	[#43]	
							1750001810	S.DIO L1SS400T1G	[#44]	
							1750001810	S.DIO L1SS400T1G	[#46]	
							1750001810	S.DIO L1SS400T1G	[#47]	

Eqv.= This component is equivalent to the REF No. component listed above, and may be substituted on parts orders and repairs.

M.=Mounted side (T: Mounted on the Top side, B: Mounted on the Bottom side)
H/V LOCATION= Shows mounting location on the PCB.

The underlined parts have been updated from the addendum of the previous version, or from the original page.

[LOGIC-1 UNIT]

REF NO.	PART NO.	DESCRIPTION	M.	H/V LOCATION	REF NO.	PART NO.	DESCRIPTION	M.	H/V LOCATION						
R81	7030016290	S.RES RMC1/16S-222JTH (2.2 k) [#13]	B	23.9/15.0	R152	7030008270	S.RES RR0510P-104-D (100 k)	T	36.8/25.5						
	7030016290	S.RES RMC1/16S-222JTH (2.2 k) [#14]				R558	7030016360			S.RES RMC1/16S-123JTH (12 k) [#13]	B	21.5/9.8			
	7030016290	S.RES RMC1/16S-222JTH (2.2 k) [#16]					7030016360			S.RES RMC1/16S-123JTH (12 k) [#14]					
	7030016290	S.RES RMC1/16S-222JTH (2.2 k) [#17]					7030016360			S.RES RMC1/16S-123JTH (12 k) [#16]					
	7030016290	S.RES RMC1/16S-222JTH (2.2 k) [#43]					7030016360			S.RES RMC1/16S-123JTH (12 k) [#17]					
	7030016290	S.RES RMC1/16S-222JTH (2.2 k) [#44]					7030016360			S.RES RMC1/16S-123JTH (12 k) [#43]					
	7030016290	S.RES RMC1/16S-222JTH (2.2 k) [#46]					7030016360			S.RES RMC1/16S-123JTH (12 k) [#44]					
	7030016290	S.RES RMC1/16S-222JTH (2.2 k) [#47]					7030016360			S.RES RMC1/16S-123JTH (12 k) [#46]					
	7030015960	S.RES RMC1/16S-472JTH (4.7 k) [#13]					R595			7030016360			S.RES RMC1/16S-123JTH (12 k) [#47]	B	28.0/32.2
	7030015960	S.RES RMC1/16S-472JTH (4.7 k) [#14]								7030015520			S.RES RMC1/16SJPT (JPW)		
7030015960	S.RES RMC1/16S-472JTH (4.7 k) [#16]	7030015900	S.RES RMC1/16S-470JTH (47) [#13]												
7030015960	S.RES RMC1/16S-472JTH (4.7 k) [#17]	7030015900	S.RES RMC1/16S-470JTH (47) [#14]												
7030015960	S.RES RMC1/16S-472JTH (4.7 k) [#43]	7030015900	S.RES RMC1/16S-470JTH (47) [#16]												
7030015960	S.RES RMC1/16S-472JTH (4.7 k) [#44]	7030015900	S.RES RMC1/16S-470JTH (47) [#17]												
7030015960	S.RES RMC1/16S-472JTH (4.7 k) [#46]	7030015900	S.RES RMC1/16S-470JTH (47) [#43]												
7030015960	S.RES RMC1/16S-472JTH (4.7 k) [#47]	7030015900	S.RES RMC1/16S-470JTH (47) [#44]												
7030016040	S.RES RMC1/16S-224JTH (220 k) [#13]	R83	7030016040	S.RES RMC1/16S-224JTH (220 k) [#14]	B	22.4/15.3									
7030016040	S.RES RMC1/16S-224JTH (220 k) [#14]		7030015900	S.RES RMC1/16S-470JTH (47) [#46]											
7030016040	S.RES RMC1/16S-224JTH (220 k) [#16]		7030015900	S.RES RMC1/16S-470JTH (47) [#47]											
7030016040	S.RES RMC1/16S-224JTH (220 k) [#17]		R857	7030016560			S.RES RMC1/16SJPTH (JPW) [#13]	B	18.8/85.4						
7030016040	S.RES RMC1/16S-224JTH (220 k) [#43]			7030016560			S.RES RMC1/16SJPTH (JPW) [#14]								
7030016040	S.RES RMC1/16S-224JTH (220 k) [#44]			7030016560			S.RES RMC1/16SJPTH (JPW) [#16]								
7030016040	S.RES RMC1/16S-224JTH (220 k) [#46]			7030016560			S.RES RMC1/16SJPTH (JPW) [#17]								
7030016040	S.RES RMC1/16S-224JTH (220 k) [#47]			7030016560			S.RES RMC1/16SJPTH (JPW) [#43]								
7030015960	S.RES RMC1/16S-472JTH (4.7 k) [#13]			R84			7030016560			S.RES RMC1/16SJPTH (JPW) [#44]	B	16.6/18.5			
7030015960	S.RES RMC1/16S-472JTH (4.7 k) [#14]						7030016560			S.RES RMC1/16SJPTH (JPW) [#46]					
7030015960	S.RES RMC1/16S-472JTH (4.7 k) [#16]	R858			7030016560	S.RES RMC1/16SJPTH (JPW) [#47]	B			21.5/79.2					
7030015960	S.RES RMC1/16S-472JTH (4.7 k) [#17]				7030016560	S.RES RMC1/16SJPTH (JPW) [#13]									
7030015960	S.RES RMC1/16S-472JTH (4.7 k) [#43]				7030016560	S.RES RMC1/16SJPTH (JPW) [#14]									
7030015960	S.RES RMC1/16S-472JTH (4.7 k) [#44]		7030016560		S.RES RMC1/16SJPTH (JPW) [#16]										
7030015960	S.RES RMC1/16S-472JTH (4.7 k) [#46]		7030016560		S.RES RMC1/16SJPTH (JPW) [#17]										
7030015960	S.RES RMC1/16S-472JTH (4.7 k) [#47]		7030016560		S.RES RMC1/16SJPTH (JPW) [#43]										
7030016360	S.RES RMC1/16S-123JTH (12 k) [#13]		R85		7030016560	S.RES RMC1/16SJPTH (JPW) [#44]		B	14.4/21.3						
7030016360	S.RES RMC1/16S-123JTH (12 k) [#14]				7030016560	S.RES RMC1/16SJPTH (JPW) [#46]									
7030016360	S.RES RMC1/16S-123JTH (12 k) [#16]			R859	7030016560	S.RES RMC1/16SJPTH (JPW) [#47]					B	28.7/86.5			
7030016360	S.RES RMC1/16S-123JTH (12 k) [#17]				7030016560	S.RES RMC1/16SJPTH (JPW) [#13]									
7030016360	S.RES RMC1/16S-123JTH (12 k) [#43]	7030016560			S.RES RMC1/16SJPTH (JPW) [#14]										
7030016360	S.RES RMC1/16S-123JTH (12 k) [#44]	7030016560			S.RES RMC1/16SJPTH (JPW) [#16]										
7030016360	S.RES RMC1/16S-123JTH (12 k) [#46]	7030016560			S.RES RMC1/16SJPTH (JPW) [#17]										
7030016360	S.RES RMC1/16S-123JTH (12 k) [#47]	7030016560			S.RES RMC1/16SJPTH (JPW) [#43]										
7030016560	S.RES RMC1/16SJPTH (JPW) [#13]	R86			7030016560	S.RES RMC1/16SJPTH (JPW) [#44]	B			15.3/21.3					
7030016560	S.RES RMC1/16SJPTH (JPW) [#14]				7030016560	S.RES RMC1/16SJPTH (JPW) [#46]									
7030016560	S.RES RMC1/16SJPTH (JPW) [#16]		R860		7030016560	S.RES RMC1/16SJPTH (JPW) [#47]		B	28.7/87.4						
7030016560	S.RES RMC1/16SJPTH (JPW) [#17]				7030016020	S.RES RMC1/16S-104JTH (100 k) [#13]									
7030016560	S.RES RMC1/16SJPTH (JPW) [#43]			7030016020	S.RES RMC1/16S-104JTH (100 k) [#14]										
7030016560	S.RES RMC1/16SJPTH (JPW) [#44]			7030016020	S.RES RMC1/16S-104JTH (100 k) [#16]										
7030016560	S.RES RMC1/16SJPTH (JPW) [#46]			7030016020	S.RES RMC1/16S-104JTH (100 k) [#17]										
7030016560	S.RES RMC1/16SJPTH (JPW) [#47]			7030016020	S.RES RMC1/16S-104JTH (100 k) [#43]										
7030016000	S.RES RMC1/16S-823JTH (82 k) [#13]			R88	7030016020	S.RES RMC1/16S-104JTH (100 k) [#44]					B	18.2/23.5			
7030016000	S.RES RMC1/16S-823JTH (82 k) [#14]				7030016020	S.RES RMC1/16S-104JTH (100 k) [#46]									
7030016000	S.RES RMC1/16S-823JTH (82 k) [#16]	R861			7030016020	S.RES RMC1/16S-104JTH (100 k) [#47]	B			29.7/97.1					
7030016000	S.RES RMC1/16S-823JTH (82 k) [#17]				7030016020	S.RES RMC1/16S-104JTH (100 k) [#13]									
7030016000	S.RES RMC1/16S-823JTH (82 k) [#43]		7030016020		S.RES RMC1/16S-104JTH (100 k) [#14]										
7030016000	S.RES RMC1/16S-823JTH (82 k) [#44]		7030016020		S.RES RMC1/16S-104JTH (100 k) [#16]										
7030016000	S.RES RMC1/16S-823JTH (82 k) [#46]		7030016020		S.RES RMC1/16S-104JTH (100 k) [#17]										
7030016000	S.RES RMC1/16S-823JTH (82 k) [#47]		7030016020		S.RES RMC1/16S-104JTH (100 k) [#43]										
7030016100	S.RES RMC1/16S-334JTH (330 k) [#13]		R91		7030016020	S.RES RMC1/16S-104JTH (100 k) [#44]		B	23.0/10.4						
7030016100	S.RES RMC1/16S-334JTH (330 k) [#14]				7030016020	S.RES RMC1/16S-104JTH (100 k) [#46]									
7030016100	S.RES RMC1/16S-334JTH (330 k) [#16]			R862	7030016020	S.RES RMC1/16S-104JTH (100 k) [#47]					B	28.9/98.0			
7030016100	S.RES RMC1/16S-334JTH (330 k) [#17]				7030016560	S.RES RMC1/16SJPTH (JPW) [#13]									
7030016100	S.RES RMC1/16S-334JTH (330 k) [#43]	7030016560			S.RES RMC1/16SJPTH (JPW) [#14]										
7030016100	S.RES RMC1/16S-334JTH (330 k) [#44]	7030016560			S.RES RMC1/16SJPTH (JPW) [#16]										
7030016100	S.RES RMC1/16S-334JTH (330 k) [#46]	7030016560			S.RES RMC1/16SJPTH (JPW) [#17]										
7030016100	S.RES RMC1/16S-334JTH (330 k) [#47]	7030016560			S.RES RMC1/16SJPTH (JPW) [#43]										
7030016070	S.RES RMC1/16S-474JTH (470 k) [#13]	R93			7030016560	S.RES RMC1/16SJPTH (JPW) [#44]	T			22.8/16.1					
7030016070	S.RES RMC1/16S-474JTH (470 k) [#14]				7030016560	S.RES RMC1/16SJPTH (JPW) [#46]									
7030016070	S.RES RMC1/16S-474JTH (470 k) [#16]		R863		7030016560	S.RES RMC1/16SJPTH (JPW) [#47]		T	22.8/16.1						
7030016070	S.RES RMC1/16S-474JTH (470 k) [#17]				7030016560	S.RES RMC1/16SJPTH (JPW) [#13]									
7030016070	S.RES RMC1/16S-474JTH (470 k) [#43]			7030016560	S.RES RMC1/16SJPTH (JPW) [#14]										
7030016070	S.RES RMC1/16S-474JTH (470 k) [#44]			7030016560	S.RES RMC1/16SJPTH (JPW) [#16]										
7030016070	S.RES RMC1/16S-474JTH (470 k) [#46]			7030016560	S.RES RMC1/16SJPTH (JPW) [#17]										
7030016070	S.RES RMC1/16S-474JTH (470 k) [#47]			7030016560	S.RES RMC1/16SJPTH (JPW) [#43]										
7030016450	S.RES RMC1/16S-824JTH (820 k) [#13]			R94	7030016560	S.RES RMC1/16SJPTH (JPW) [#44]					B	23.0/13.7			
7030016450	S.RES RMC1/16S-824JTH (820 k) [#14]				7030016560	S.RES RMC1/16SJPTH (JPW) [#46]									
7030016450	S.RES RMC1/16S-824JTH (820 k) [#16]	R864			7030016560	S.RES RMC1/16SJPTH (JPW) [#47]	B			40.1/16.4					
7030016450	S.RES RMC1/16S-824JTH (820 k) [#17]				7030016110	S.RES RMC1/16S-473JTH (47 k) [#13]									
7030016450	S.RES RMC1/16S-824JTH (820 k) [#43]		7030016110		S.RES RMC1/16S-473JTH (47 k) [#14]										
7030016450	S.RES RMC1/16S-824JTH (820 k) [#44]		7030016110		S.RES RMC1/16S-473JTH (47 k) [#16]										
7030016450	S.RES RMC1/16S-824JTH (820 k) [#46]		7030016110		S.RES RMC1/16S-473JTH (47 k) [#17]										
7030016450	S.RES RMC1/16S-824JTH (820 k) [#47]		7030016110		S.RES RMC1/16S-473JTH (47 k) [#43]										
7030016090	S.RES RMC1/16S-223JTH (22 k) [#13]		R95		7030016110	S.RES RMC1/16S-473JTH (47 k) [#44]		B	38.5/15.3						
7030016090	S.RES RMC1/16S-223JTH (22 k) [#14]				7030016110	S.RES RMC1/16S-473JTH (47 k) [#46]									
7030016090	S.RES RMC1/16S-223JTH (22 k) [#16]			R865	7030016110	S.RES RMC1/16S-473JTH (47 k) [#47]					B	38.5/15.3			
7030016090	S.RES RMC1/16S-223JTH (22 k) [#17]				7030016110	S.RES RMC1/16S-473JTH (47 k) [#13]									
7030016090	S.RES RMC1/16S-223JTH (22 k) [#43]	7030016110			S.RES RMC1/16S-473JTH (47 k) [#14]										
7030016090	S.RES RMC1/16S-223JTH (22 k) [#44]	7030016110			S.RES RMC1/16S-473JTH (47 k) [#16]										
7030016090	S.RES RMC1/16S-223JTH (22 k) [#46]	7030016110			S.RES RMC1/16S-473JTH (47 k) [#17]										
7030016090	S.RES RMC1/16S-223JTH (22 k) [#47]	7030016110			S.RES RMC1/16S-473JTH (47 k) [#43]										
7030016320	S.RES RMC1/16S-225JTH (2.2 M) [#13]	R112			7030016110	S.RES RMC1/16S-473JTH (47 k) [#44]	T			21.9/17.9					
7030016320	S.RES RMC1/16S-225JTH (2.2 M) [#14]				7030016110	S.RES RMC1/16S-473JTH (47 k) [#46]									
7030016320	S.RES RMC1/16S-225JTH (2.2 M) [#16]		R866		7030016110	S.RES RMC1/16S-473JTH (47 k) [#47]		T	21.9/17.9						
7030016320	S.RES RMC1/16S-225JTH (2.2 M) [#17]				7030016020	S.RES RMC1/16S-104JTH (100 k) [#13]									
7030016320	S.RES RMC1/16S-225JTH (2.2 M) [#43]			7030016020	S.RES RMC1/16S-104JTH (100 k) [#14]										
7030016320	S.RES RMC1/16S-225JTH (2.2 M) [#44]			7030016020	S.RES RMC1/16S-104JTH (100 k) [#16]										
7030016320	S.RES RMC1/16S-225JTH (2.2 M) [#46]			7030016020	S.RES RMC1/16S-104JTH (100 k) [#17]										
7030016320	S.RES RMC1/16S-225JTH (2.2 M) [#47]			7030016020	S.RES RMC1/16S-104JTH (100 k) [#43]										
7030016060	S.RES RMC1/16S-105JTH (1 M) T			R145	7030016020	S.RES RMC1/16S-104JTH (100 k) [#44]					T	2.2/13.8			
7030016060	S.RES RMC1/16S-105JTH (1 M) T				R146	7030016020							S.RES RMC1/16S-104JTH (100 k) [#46]	T	2.7/14.8
7030016060	S.RES RMC1/16S-105JTH (1 M) T	R147				7030016020	S.RES RMC1/16S-104JTH (100 k) [#47]			T			5.6/13.8		
7030016060	S.RES RMC1/16S-105JTH (1 M) T					R148	7030016020								
7030016060	S.RES RMC1/16S-105JTH (1 M) T		R151				7030016020	S.RES RMC1/16S-104JTH (100 k) [#44]	T						
7510001661	S.THR NTCG16 4LH 473JT														

Eqv.= This component is equivalent to the REF No. component listed above, and may be substituted on parts orders and repairs.

M.=Mounted side (T: Mounted on the Top side, B: Mounted on the Bottom side)
H/V LOCATION= Shows mounting location on the PCB.

The underlined parts have been updated from the addendum of the previous version, or from the original page.

[LOGIC-1 UNIT]

REF NO.	PART NO.	DESCRIPTION	M.	H/V LOCATION	REF NO.	PART NO.	DESCRIPTION	M.	H/V LOCATION
R989	7030020800	S.RES MCR006YLPJ 100 (10)	B	32.3/47.9	R1074	7030016020	S.RES RMC1/16S-104JTH (100 k)	B	28.5/46.5
R990	7030020800	S.RES MCR006YLPJ 100 (10)	B	26.0/51.8	R1075	7030020800	S.RES MCR006YLPJ 100 (10)	B	37.3/51.2
R991	7030020800	S.RES MCR006YLPJ 100 (10)	B	26.0/53.0	R1076	7030020800	S.RES MCR006YLPJ 100 (10)	B	30.9/47.9
R992	7030020800	S.RES MCR006YLPJ 100 (10)	B	26.0/52.4	R1077	7030016560	S.RES RMC1/16SJPTH (JPW) [#13]	T	32.4/20.7
R993	7030020800	S.RES MCR006YLPJ 100 (10)	B	33.5/46.2		7030016560	S.RES RMC1/16SJPTH (JPW) [#14]		
R994	7030020800	S.RES MCR006YLPJ 100 (10)	B	28.9/57.7		7030016560	S.RES RMC1/16SJPTH (JPW) [#16]		
R995	7030020800	S.RES MCR006YLPJ 100 (10)	B	23.7/58.8		7030016560	S.RES RMC1/16SJPTH (JPW) [#17]		
R996	7030020800	S.RES MCR006YLPJ 100 (10)	B	29.0/44.3		7030016560	S.RES RMC1/16SJPTH (JPW) [#43]		
R997	7030020800	S.RES MCR006YLPJ 100 (10)	B	28.4/43.5		7030016560	S.RES RMC1/16SJPTH (JPW) [#44]		
R998	7030020800	S.RES MCR006YLPJ 100 (10)	B	34.5/46.2		7030016560	S.RES RMC1/16SJPTH (JPW) [#46]		
R999	7030020830	S.RES MCR006YLPJ 103 (10 k)	B	31.3/42.9		7030016560	S.RES RMC1/16SJPTH (JPW) [#47]		
R1000	7030020800	S.RES MCR006YLPJ 100 (10)	B	26.0/42.5	R1078	7030016090	S.RES RMC1/16S-223JTH (22 k)	B	30.9/16.4
R1001	7030020800	S.RES MCR006YLPJ 100 (10)	B	26.7/42.5	R1079	7030016290	S.RES RMC1/16S-222JTH (22 k)	B	38.0/29.0
R1002	7030020800	S.RES MCR006YLPJ 100 (10)	B	26.9/47.9	R1081	7030016060	S.RES RMC1/16S-105JTH (1 M)	B	33.5/63.6
R1003	7030020800	S.RES MCR006YLPJ 100 (10)	B	26.0/50.0	R1082	7030016050	S.RES RMC1/16S-102JTH (1 k)	B	36.6/42.0
R1004	7030020800	S.RES MCR006YLPJ 100 (10)	B	37.3/47.9	R1083	7030016110	S.RES RMC1/16S-473JTH (47 k)	B	23.2/46.4
R1005	7030020800	S.RES MCR006YLPJ 100 (10)	B	32.7/46.2	R1084	7410001340	S.ARR EXB28V473JX	B	25.3/45.0
R1006	7030020830	S.RES MCR006YLPJ 103 (10 k)	B	31.5/47.9	R1085	7030020830	S.RES MCR006YLPJ 103 (10 k) [#23]	B	45.2/50.3
R1007	7030020800	S.RES MCR006YLPJ 100 (10)	B	24.1/47.2		7030020830	S.RES MCR006YLPJ 103 (10 k) [#26]		
R1008	7030020800	S.RES MCR006YLPJ 100 (10)	B	26.0/49.4		7030020830	S.RES MCR006YLPJ 103 (10 k) [#33]		
R1009	7030020800	S.RES MCR006YLPJ 100 (10)	B	35.1/46.2		7030020830	S.RES MCR006YLPJ 103 (10 k) [#34]		
R1010	7030020820	S.RES MCR006YLPJ 102 (1 k)	B	33.9/47.9		7030020830	S.RES MCR006YLPJ 103 (10 k) [#36]		
R1011	7030020800	S.RES MCR006YLPJ 100 (10)	B	32.0/46.2		7030020830	S.RES MCR006YLPJ 103 (10 k) [#53]		
R1012	7030020800	S.RES MCR006YLPJ 100 (10)	B	35.5/57.6		7030020830	S.RES MCR006YLPJ 103 (10 k) [#56]		
R1013	7030020820	S.RES MCR006YLPJ 102 (1 k)	B	34.7/57.9		7030020830	S.RES MCR006YLPJ 103 (10 k) [#63]		
R1014	7030020800	S.RES MCR006YLPJ 100 (10)	B	33.8/57.9		7030020830	S.RES MCR006YLPJ 103 (10 k) [#64]		
R1015	7030020800	S.RES MCR006YLPJ 100 (10)	B	32.2/57.7		7030020830	S.RES MCR006YLPJ 103 (10 k) [#66]		
R1016	7030014590	S.RES MCR006YLPJ 000 (JPW)	B	31.6/57.7		7030020830	S.RES MCR006YLPJ 103 (10 k) [#68]		
R1017	7030020800	S.RES MCR006YLPJ 100 (10)	B	31.0/57.7	R1086	7030002830	S.RES MCR006YLPJ 103 (10 k) [#23]	B	45.2/51.4
R1018	7030020800	S.RES MCR006YLPJ 100 (10)	B	29.5/57.7		7030002830	S.RES MCR006YLPJ 103 (10 k) [#26]		
R1019	7030020800	S.RES MCR006YLPJ 100 (10)	B	24.1/58.1		7030002830	S.RES MCR006YLPJ 103 (10 k) [#33]		
R1020	7030020800	S.RES MCR006YLPJ 100 (10)	B	24.1/57.5		7030002830	S.RES MCR006YLPJ 103 (10 k) [#34]		
R1021	7030020800	S.RES MCR006YLPJ 100 (10)	B	35.0/59.5		7030002830	S.RES MCR006YLPJ 103 (10 k) [#36]		
R1022	7030020800	S.RES MCR006YLPJ 100 (10)	B	32.2/59.5		7030002830	S.RES MCR006YLPJ 103 (10 k) [#53]		
R1023	7030020800	S.RES MCR006YLPJ 100 (10)	B	31.6/59.6		7030002830	S.RES MCR006YLPJ 103 (10 k) [#56]		
R1024	7030020800	S.RES MCR006YLPJ 100 (10)	B	30.1/58.8		7030002830	S.RES MCR006YLPJ 103 (10 k) [#63]		
R1025	7030020800	S.RES MCR006YLPJ 100 (10)	B	28.0/57.3		7030002830	S.RES MCR006YLPJ 103 (10 k) [#64]		
R1026	7030020800	S.RES MCR006YLPJ 100 (10)	B	24.1/56.9		7030002830	S.RES MCR006YLPJ 103 (10 k) [#66]		
R1027	7030020800	S.RES MCR006YLPJ 100 (10)	B	37.7/58.5		7030002830	S.RES MCR006YLPJ 103 (10 k) [#68]		
R1028	7030020800	S.RES MCR006YLPJ 100 (10)	B	34.3/59.5	R1087	7030016320	S.RES RMC1/16S-225JTH (2.2 M)	B	33.2/64.8
R1029	7030020800	S.RES MCR006YLPJ 100 (10)	B	33.2/60.1	R1088	7030016240	S.RES RMC1/16S-684JTH (680 k)	B	31.9/64.1
R1030	7030020800	S.RES MCR006YLPJ 100 (10)	B	28.5/62.4	R1089	7030016110	S.RES RMC1/16S-473JTH (47 k)	B	25.2/63.3
R1031	7030020820	S.RES MCR006YLPJ 102 (1 k)	B	44.3/55.4	R1090	7030016000	S.RES RMC1/16S-823JTH (82 k) [#13]	B	5.4/18.4
R1032	7030020800	S.RES MCR006YLPJ 100 (10)	B	36.8/57.8		7030016000	S.RES RMC1/16S-823JTH (82 k) [#14]		
R1033	7030020800	S.RES MCR006YLPJ 100 (10)	B	34.3/61.9		7030016000	S.RES RMC1/16S-823JTH (82 k) [#16]		
R1034	7030020820	S.RES MCR006YLPJ 102 (1 k)	B	31.6/62.0		7030016000	S.RES RMC1/16S-823JTH (82 k) [#17]		
R1035	7030020800	S.RES MCR006YLPJ 100 (10)	B	30.4/57.7		7030016000	S.RES RMC1/16S-823JTH (82 k) [#43]		
R1036	7030020800	S.RES MCR006YLPJ 100 (10)	B	20.6/63.1		7030016000	S.RES RMC1/16S-823JTH (82 k) [#44]		
R1037	7030020820	S.RES MCR006YLPJ 102 (1 k)	B	24.1/56.3		7030016000	S.RES RMC1/16S-823JTH (82 k) [#46]		
R1038	7030020820	S.RES MCR006YLPJ 102 (1 k)	B	24.1/55.1		7030016000	S.RES RMC1/16S-823JTH (82 k) [#47]		
R1039	7030020820	S.RES MCR006YLPJ 102 (1 k)	B	26.0/54.7	R1091	7030016040	S.RES RMC1/16S-224JTH (220 k) [#13]	B	9.0/17.1
R1040	7030020820	S.RES MCR006YLPJ 102 (1 k)	B	44.9/55.4		7030016040	S.RES RMC1/16S-224JTH (220 k) [#14]		
R1041	7030020800	S.RES MCR006YLPJ 100 (10)	B	24.1/54.5		7030016040	S.RES RMC1/16S-224JTH (220 k) [#16]		
R1042	7030020800	S.RES MCR006YLPJ 100 (10)	B	26.0/53.9		7030016040	S.RES RMC1/16S-224JTH (220 k) [#17]		
R1043	7030020800	S.RES MCR006YLPJ 100 (10)	B	24.1/53.5		7030016040	S.RES RMC1/16S-224JTH (220 k) [#43]		
R1044	7030020800	S.RES MCR006YLPJ 100 (10)	B	20.7/68.3		7030016040	S.RES RMC1/16S-224JTH (220 k) [#44]		
R1045	7030020800	S.RES MCR006YLPJ 100 (10)	B	43.9/52.0		7030016040	S.RES RMC1/16S-224JTH (220 k) [#46]		
R1046	7030020800	S.RES MCR006YLPJ 100 (10)	B	23.5/61.7		7030016040	S.RES RMC1/16S-224JTH (220 k) [#47]		
R1047	7030020800	S.RES MCR006YLPJ 100 (10)	B	44.0/51.4	R1092	7030016050	S.RES RMC1/16S-102JTH (1 k) [#13]	B	42.4/8.0
R1050	7030020800	S.RES MCR006YLPJ 100 (10)	B	24.1/46.6		7030016050	S.RES RMC1/16S-102JTH (1 k) [#14]		
R1053	7030015970	S.RES RMC1/16S-103JTH (10 k)	T	14.7/11.9		7030016050	S.RES RMC1/16S-102JTH (1 k) [#16]		
R1054	7030015970	S.RES RMC1/16S-103JTH (10 k)	T	15.0/18.6		7030016050	S.RES RMC1/16S-102JTH (1 k) [#17]		
R1055	7030015970	S.RES RMC1/16S-103JTH (10 k)	T	15.0/10.2		7030016050	S.RES RMC1/16S-102JTH (1 k) [#43]		
R1056	7030015970	S.RES RMC1/16S-103JTH (10 k)	T	14.6/17.0		7030016050	S.RES RMC1/16S-102JTH (1 k) [#44]		
R1057	7030016150	S.RES RMC1/16S-100JTH (10)	B	41.0/40.6		7030016050	S.RES RMC1/16S-102JTH (1 k) [#46]		
R1059	7030016560	S.RES RMC1/16SJPTH (JPW) [#13]	B	29.7/96.2		7030016050	S.RES RMC1/16S-102JTH (1 k) [#47]		
	7030016560	S.RES RMC1/16SJPTH (JPW) [#14]			R1093	7030016410	S.RES RMC1/16S-561JTH (560) [#13]	B	41.9/6.8
	7030016560	S.RES RMC1/16SJPTH (JPW) [#16]				7030016410	S.RES RMC1/16S-561JTH (560) [#14]		
	7030016560	S.RES RMC1/16SJPTH (JPW) [#17]				7030016410	S.RES RMC1/16S-561JTH (560) [#16]		
	7030016560	S.RES RMC1/16SJPTH (JPW) [#43]				7030016410	S.RES RMC1/16S-561JTH (560) [#17]		
	7030016560	S.RES RMC1/16SJPTH (JPW) [#44]				7030016410	S.RES RMC1/16S-561JTH (560) [#43]		
	7030016560	S.RES RMC1/16SJPTH (JPW) [#46]				7030016410	S.RES RMC1/16S-561JTH (560) [#44]		
R1060	7030016560	S.RES RMC1/16SJPTH (JPW) [#47]	T	16.6/13.6		7030016410	S.RES RMC1/16S-561JTH (560) [#46]		
	7030016560	S.RES RMC1/16SJPTH (JPW) [#13]				7030016410	S.RES RMC1/16S-561JTH (560) [#47]		
	7030016560	S.RES RMC1/16SJPTH (JPW) [#14]			R1097	7030016020	S.RES RMC1/16S-104JTH (100 k)	B	28.9/15.6
	7030016560	S.RES RMC1/16SJPTH (JPW) [#16]			R1098	7030016020	S.RES RMC1/16S-104JTH (100 k)	B	40.5/30.0
	7030016560	S.RES RMC1/16SJPTH (JPW) [#17]							
	7030016560	S.RES RMC1/16SJPTH (JPW) [#43]							
	7030016560	S.RES RMC1/16SJPTH (JPW) [#44]							
	7030016560	S.RES RMC1/16SJPTH (JPW) [#46]							
	7030016560	S.RES RMC1/16SJPTH (JPW) [#47]							
R1061	7210003820	VAR TP76D1190E20-20.5F-10KB-3699			C1	4030021240	S.CER C1005 JB 1C 105K-T [#13]	T	23.6/17.9
R1062	7030016560	S.RES RMC1/16SJPTH (JPW)	B	40.3/89.6		4030021240	S.CER C1005 JB 1C 105K-T [#14]		
R1063	7030015970	S.RES RMC1/16S-103JTH (10 k) [#13]	T	21.8/15.1		4030021240	S.CER C1005 JB 1C 105K-T [#16]		
	7030015970	S.RES RMC1/16S-103JTH (10 k) [#14]				4030021240	S.CER C1005 JB 1C 105K-T [#17]		
	7030015970	S.RES RMC1/16S-103JTH (10 k) [#16]				4030021240	S.CER C1005 JB 1C 105K-T [#43]		
	7030015970	S.RES RMC1/16S-103JTH (10 k) [#17]				4030021240	S.CER C1005 JB 1C 105K-T [#44]		
	7030015970	S.RES RMC1/16S-103JTH (10 k) [#43]				4030021240	S.CER C1005 JB 1C 105K-T [#46]		
	7030015970	S.RES RMC1/16S-103JTH (10 k) [#44]				4030021240	S.CER C1005 JB 1C 105K-T [#47]		
	7030015970	S.RES RMC1/16S-103JTH (10 k) [#46]				4030021240	S.CER C1005 JB 1C 105K-T [#13]	T	24.1/16.5
	7030015970	S.RES RMC1/16S-103JTH (10 k) [#47]				4030021240	S.CER C1005 JB 1C 105K-T [#14]		
R1064	7030016560	S.RES RMC1/16SJPTH (JPW)	T						

The underlined parts have been updated from the addendum of the previous version, or from the original page.

[LOGIC-1 UNIT]

REF NO.	PART NO.	DESCRIPTION	M.	H/V LOCATION	REF NO.	PART NO.	DESCRIPTION	M.	H/V LOCATION
C5	4030021240	S.CER C1005 JB 1C 105K-T	B	32.7/8.2	C103	4030019560	S.CER GRM21BB31C106KE15L	B	19.9/24.7
	4030021240	S.CER C1005 JB 1C 105K-T				4030019560	S.CER GRM21BB31C106KE15L		
	4030021240	S.CER C1005 JB 1C 105K-T				4030019560	S.CER GRM21BB31C106KE15L		
	4030021240	S.CER C1005 JB 1C 105K-T				4030019560	S.CER GRM21BB31C106KE15L		
	4030021240	S.CER C1005 JB 1C 105K-T				4030019560	S.CER GRM21BB31C106KE15L		
C6	4030021240	S.CER C1005 JB 1C 105K-T	B	30.6/8.7	C104	4030019560	S.CER GRM21BB31C106KE15L	B	22.1/27.9
	4030021240	S.CER C1005 JB 1C 105K-T				4030019560	S.CER GRM21BB31C106KE15L		
	4030021240	S.CER C1005 JB 1C 105K-T				4030019560	S.CER GRM21BB31C106KE15L		
	4030021240	S.CER C1005 JB 1C 105K-T				4030019560	S.CER GRM21BB31C106KE15L		
	4030021240	S.CER C1005 JB 1C 105K-T				4030019560	S.CER GRM21BB31C106KE15L		
C7	4030021240	S.CER C1005 JB 1C 105K-T	B	33.2/9.4	C105	4030019560	S.CER GRM21BB31C106KE15L	B	21.3/31.5
	4030021240	S.CER C1005 JB 1C 105K-T				4030019560	S.CER GRM21BB31C106KE15L		
	4030021240	S.CER C1005 JB 1C 105K-T				4030019560	S.CER GRM21BB31C106KE15L		
	4030021240	S.CER C1005 JB 1C 105K-T				4030019560	S.CER GRM21BB31C106KE15L		
	4030021240	S.CER C1005 JB 1C 105K-T				4030019560	S.CER GRM21BB31C106KE15L		
C8	4030023090	S.CER 0402B102K500CT	B	24.7/70.4	C106	4030019560	S.CER GRM21BB31C106KE15L	B	21.3/29.7
	Eqv. 4030026210	S.CER MG15B102K500CT				4030019560	S.CER GRM21BB31C106KE15L		
	C16 4030023090	S.CER 0402B102K500CT				4030019560	S.CER GRM21BB31C106KE15L		
	Eqv. 4030026210	S.CER MG15B102K500CT				4030019560	S.CER GRM21BB31C106KE15L		
	C16 4030023090	S.CER 0402B102K500CT				4030019560	S.CER GRM21BB31C106KE15L		
C16	Eqv. 4030026210	S.CER MG15B102K500CT	T	18.3/17.9	C107	4030022940	S.CER 0402B104K100CT	B	26.5/24.6
	Eqv. 4030026210	S.CER MG15B102K500CT				Eqv. 4030026190	S.CER MG15B104K100CT		
	Eqv. 4030026210	S.CER MG15B102K500CT				C107 4030022940	S.CER 0402B104K100CT		
	Eqv. 4030026210	S.CER MG15B102K500CT				Eqv. 4030026190	S.CER MG15B104K100CT		
	Eqv. 4030026210	S.CER MG15B102K500CT				C107 4030022940	S.CER 0402B104K100CT		
C16	Eqv. 4030026210	S.CER MG15B102K500CT	B	28.5/7.3	C107	Eqv. 4030026190	S.CER MG15B104K100CT	B	24.8/15.0
	Eqv. 4030026210	S.CER MG15B102K500CT				C107 4030022940	S.CER 0402B104K100CT		
	Eqv. 4030026210	S.CER MG15B102K500CT				Eqv. 4030026190	S.CER MG15B104K100CT		
	Eqv. 4030026210	S.CER MG15B102K500CT				C107 4030022940	S.CER 0402B104K100CT		
	Eqv. 4030026210	S.CER MG15B102K500CT				Eqv. 4030026190	S.CER MG15B104K100CT		
C18	Eqv. 4030026210	S.CER MG15B102K500CT	B	24.7/71.3	C108	Eqv. 4030026190	S.CER MG15B104K100CT	B	26.0/14.5
	Eqv. 4030026210	S.CER MG15B102K500CT				C108 4030023090	S.CER 0402B102K500CT		
	Eqv. 4030026210	S.CER MG15B102K500CT				Eqv. 4030026190	S.CER MG15B104K100CT		
	Eqv. 4030026210	S.CER MG15B102K500CT				C108 4030023090	S.CER 0402B102K500CT		
	Eqv. 4030026210	S.CER MG15B102K500CT				Eqv. 4030026190	S.CER MG15B104K100CT		
C20	Eqv. 4030026210	S.CER MG15B102K500CT	B	27.6/7.3	C108	Eqv. 4030026190	S.CER MG15B104K100CT	B	14.4/24.7
	Eqv. 4030026210	S.CER MG15B102K500CT				C108 4030023090	S.CER 0402B102K500CT		
	Eqv. 4030026210	S.CER MG15B102K500CT				Eqv. 4030026190	S.CER MG15B104K100CT		
	Eqv. 4030026210	S.CER MG15B102K500CT				C108 4030023090	S.CER 0402B102K500CT		
	Eqv. 4030026210	S.CER MG15B102K500CT				Eqv. 4030026190	S.CER MG15B104K100CT		
C22	Eqv. 4030026210	S.CER MG15B102K500CT	B	27.4/72.0	C109	Eqv. 4030026190	S.CER MG15B104K100CT	B	20.3/20.1
	Eqv. 4030026210	S.CER MG15B102K500CT				C109 4030023090	S.CER 0402B102K500CT		
	Eqv. 4030026210	S.CER MG15B102K500CT				Eqv. 4030026190	S.CER MG15B104K100CT		
	Eqv. 4030026210	S.CER MG15B102K500CT				C109 4030023090	S.CER 0402B102K500CT		
	Eqv. 4030026210	S.CER MG15B102K500CT				Eqv. 4030026190	S.CER MG15B104K100CT		
C25	Eqv. 4030026210	S.CER MG15B102K500CT	B	29.0/28.1	C109	Eqv. 4030026190	S.CER MG15B104K100CT	B	14.4/24.7
	Eqv. 4030026210	S.CER MG15B102K500CT				C109 4030023090	S.CER 0402B102K500CT		
	Eqv. 4030026210	S.CER MG15B102K500CT				Eqv. 4030026190	S.CER MG15B104K100CT		
	Eqv. 4030026210	S.CER MG15B102K500CT				C109 4030023090	S.CER 0402B102K500CT		
	Eqv. 4030026210	S.CER MG15B102K500CT				Eqv. 4030026190	S.CER MG15B104K100CT		
C31	Eqv. 4030026210	S.CER MG15B102K500CT	B	25.7/34.5	C109	Eqv. 4030026190	S.CER MG15B104K100CT	B	14.4/24.7
	Eqv. 4030026210	S.CER MG15B102K500CT				C109 4030023090	S.CER 0402B102K500CT		
	Eqv. 4030026210	S.CER MG15B102K500CT				Eqv. 4030026190	S.CER MG15B104K100CT		
	Eqv. 4030026210	S.CER MG15B102K500CT				C109 4030023090	S.CER 0402B102K500CT		
	Eqv. 4030026210	S.CER MG15B102K500CT				Eqv. 4030026190	S.CER MG15B104K100CT		
C101	Eqv. 4030026210	S.CER MG15B102K500CT	B	13.8/10.1	C111	Eqv. 4030026190	S.CER MG15B104K100CT	B	14.4/24.7
	Eqv. 4030026210	S.CER MG15B102K500CT				4550009200	S.TAN 267E1602335MR		
	Eqv. 4030026210	S.CER MG15B102K500CT				4550009200	S.TAN 267E1602335MR		
	Eqv. 4030026210	S.CER MG15B102K500CT				4550009200	S.TAN 267E1602335MR		
	Eqv. 4030026210	S.CER MG15B102K500CT				4550009200	S.TAN 267E1602335MR		
C101	Eqv. 4030026210	S.CER MG15B102K500CT	B	14.2/5.5	C112	4550009200	S.TAN 267E1602335MR	B	20.3/20.1
	Eqv. 4030026210	S.CER MG15B102K500CT				4550008210	S.TAN 267M3502 104MR		
	Eqv. 4030026210	S.CER MG15B102K500CT				4550008210	S.TAN 267M3502 104MR		
	Eqv. 4030026210	S.CER MG15B102K500CT				4550008210	S.TAN 267M3502 104MR		
	Eqv. 4030026210	S.CER MG15B102K500CT				4550008210	S.TAN 267M3502 104MR		

Eqv.= This component is equivalent to the REF No. component listed above, and may be substituted on parts orders and repairs.

M.=Mounted side (T: Mounted on the Top side, B: Mounted on the Bottom side)
H/V LOCATION= Shows mounting location on the PCB.

The underlined parts have been updated from the addendum of the previous version, or from the original page.

[LOGIC-1 UNIT]

REF NO.	PART NO.	DESCRIPTION	M.	H/V LOCATION
C113	4550008210	S.TAN 267M3502 104MR	[#13] B	18.2/20.1
	4550008210	S.TAN 267M3502 104MR	[#14]	
	4550008210	S.TAN 267M3502 104MR	[#16]	
	4550008210	S.TAN 267M3502 104MR	[#17]	
	4550008210	S.TAN 267M3502 104MR	[#43]	
	4550008210	S.TAN 267M3502 104MR	[#44]	
	4550008210	S.TAN 267M3502 104MR	[#46]	
	4550008210	S.TAN 267M3502 104MR	[#47]	
C114	4550008210	S.TAN 267M3502 104MR	[#13] B	8.0/2.0
	4550008210	S.TAN 267M3502 104MR	[#14]	
	4550008210	S.TAN 267M3502 104MR	[#16]	
	4550008210	S.TAN 267M3502 104MR	[#17]	
	4550008210	S.TAN 267M3502 104MR	[#43]	
	4550008210	S.TAN 267M3502 104MR	[#44]	
	4550008210	S.TAN 267M3502 104MR	[#46]	
	4550008210	S.TAN 267M3502 104MR	[#47]	
C115	4550008210	S.TAN 267M3502 104MR	[#13] B	8.0/4.1
	4550008210	S.TAN 267M3502 104MR	[#14]	
	4550008210	S.TAN 267M3502 104MR	[#16]	
	4550008210	S.TAN 267M3502 104MR	[#17]	
	4550008210	S.TAN 267M3502 104MR	[#43]	
	4550008210	S.TAN 267M3502 104MR	[#44]	
	4550008210	S.TAN 267M3502 104MR	[#46]	
	4550008210	S.TAN 267M3502 104MR	[#47]	
C116	4030023090	S.CER 0402B102K500CT	[#13] B	11.2/15.0
Eqv.	4030026210	S.CER MG15B102K500CT	[#13]	
C116	4030023090	S.CER 0402B102K500CT	[#14]	
Eqv.	4030026210	S.CER MG15B102K500CT	[#14]	
C116	4030023090	S.CER 0402B102K500CT	[#16]	
Eqv.	4030026210	S.CER MG15B102K500CT	[#16]	
C116	4030023090	S.CER 0402B102K500CT	[#17]	
Eqv.	4030026210	S.CER MG15B102K500CT	[#17]	
C116	4030023090	S.CER 0402B102K500CT	[#43]	
Eqv.	4030026210	S.CER MG15B102K500CT	[#43]	
C116	4030023090	S.CER 0402B102K500CT	[#44]	
Eqv.	4030026210	S.CER MG15B102K500CT	[#44]	
C116	4030023090	S.CER 0402B102K500CT	[#46]	
Eqv.	4030026210	S.CER MG15B102K500CT	[#46]	
C116	4030023090	S.CER 0402B102K500CT	[#47]	
Eqv.	4030026210	S.CER MG15B102K500CT	[#47]	
C121	4030023030	S.CER 0402B103K250CT	[#13] B	23.0/12.0
Eqv.	4030026200	S.CER MG15B103K250CT	[#13]	
C121	4030023030	S.CER 0402B103K250CT	[#14]	
Eqv.	4030026200	S.CER MG15B103K250CT	[#14]	
C121	4030023030	S.CER 0402B103K250CT	[#16]	
Eqv.	4030026200	S.CER MG15B103K250CT	[#16]	
C121	4030023030	S.CER 0402B103K250CT	[#17]	
Eqv.	4030026200	S.CER MG15B103K250CT	[#17]	
C121	4030023030	S.CER 0402B103K250CT	[#43]	
Eqv.	4030026200	S.CER MG15B103K250CT	[#43]	
C121	4030023030	S.CER 0402B103K250CT	[#44]	
Eqv.	4030026200	S.CER MG15B103K250CT	[#44]	
C121	4030023030	S.CER 0402B103K250CT	[#46]	
Eqv.	4030026200	S.CER MG15B103K250CT	[#46]	
C121	4030023030	S.CER 0402B103K250CT	[#47]	
Eqv.	4030026200	S.CER MG15B103K250CT	[#47]	
C122	4030019560	S.CER GRM21BB31C106KE15L	[#13] B	18.8/11.0
	4030019560	S.CER GRM21BB31C106KE15L	[#14]	
	4030019560	S.CER GRM21BB31C106KE15L	[#16]	
	4030019560	S.CER GRM21BB31C106KE15L	[#17]	
	4030019560	S.CER GRM21BB31C106KE15L	[#43]	
	4030019560	S.CER GRM21BB31C106KE15L	[#44]	
	4030019560	S.CER GRM21BB31C106KE15L	[#46]	
	4030019560	S.CER GRM21BB31C106KE15L	[#47]	
C123	4030023090	S.CER 0402B102K500CT	B	24.6/31.5
Eqv.	4030026210	S.CER MG15B102K500CT		
C125	4550007520	S.TAN F931A106MAABMA	[#13] B	4.4/12.2
Eqv.	4550009370	S.TAN 267E1002106MR533	[#13]	
C125	4550007520	S.TAN F931A106MAABMA	[#14]	
Eqv.	4550009370	S.TAN 267E1002106MR533	[#14]	
C125	4550007520	S.TAN F931A106MAABMA	[#16]	
Eqv.	4550009370	S.TAN 267E1002106MR533	[#16]	
C125	4550007520	S.TAN F931A106MAABMA	[#17]	
Eqv.	4550009370	S.TAN 267E1002106MR533	[#17]	
C125	4550007520	S.TAN F931A106MAABMA	[#43]	
Eqv.	4550009370	S.TAN 267E1002106MR533	[#43]	
C125	4550007520	S.TAN F931A106MAABMA	[#44]	
Eqv.	4550009370	S.TAN 267E1002106MR533	[#44]	
C125	4550007520	S.TAN F931A106MAABMA	[#46]	
Eqv.	4550009370	S.TAN 267E1002106MR533	[#46]	
C125	4550007520	S.TAN F931A106MAABMA	[#47]	
Eqv.	4550009370	S.TAN 267E1002106MR533	[#47]	
C155	4030023090	S.CER 0402B102K500CT	T	11.8/2.4
Eqv.	4030026210	S.CER MG15B102K500CT		
C156	4030023090	S.CER 0402B102K500CT	T	13.5/10.5
Eqv.	4030026210	S.CER MG15B102K500CT		
C157	4030023090	S.CER 0402B102K500CT	T	13.7/4.0
Eqv.	4030026210	S.CER MG15B102K500CT		
C158	4030023090	S.CER 0402B102K500CT	T	14.1/8.9
Eqv.	4030026210	S.CER MG15B102K500CT		
C159	4030023090	S.CER 0402B102K500CT	T	9.9/2.4
Eqv.	4030026210	S.CER MG15B102K500CT		
C161	4030023090	S.CER 0402B102K500CT	T	35.9/25.5
Eqv.	4030026210	S.CER MG15B102K500CT		

REF NO.	PART NO.	DESCRIPTION	M.	H/V LOCATION
C600	4030023030	S.CER 0402B103K250CT	[#13] B	21.5/10.8
Eqv.	4030026200	S.CER MG15B103K250CT	[#13]	
C600	4030023030	S.CER 0402B103K250CT	[#14]	
Eqv.	4030026200	S.CER MG15B103K250CT	[#14]	
C600	4030023030	S.CER 0402B103K250CT	[#16]	
Eqv.	4030026200	S.CER MG15B103K250CT	[#16]	
C600	4030023030	S.CER 0402B103K250CT	[#17]	
Eqv.	4030026200	S.CER MG15B103K250CT	[#17]	
C600	4030023030	S.CER 0402B103K250CT	[#43]	
Eqv.	4030026200	S.CER MG15B103K250CT	[#43]	
C600	4030023030	S.CER 0402B103K250CT	[#44]	
Eqv.	4030026200	S.CER MG15B103K250CT	[#44]	
C600	4030023030	S.CER 0402B103K250CT	[#46]	
Eqv.	4030026200	S.CER MG15B103K250CT	[#46]	
C600	4030023030	S.CER 0402B103K250CT	[#47]	
Eqv.	4030026200	S.CER MG15B103K250CT	[#47]	
C629	4030023010	S.CER 0402B104K160CT	[#13] B	24.8/26.6
Eqv.	4030026220	S.CER MG15B104K160CT	[#13]	
C629	4030023010	S.CER 0402B104K160CT	[#14]	
Eqv.	4030026220	S.CER MG15B104K160CT	[#14]	
C629	4030023010	S.CER 0402B104K160CT	[#16]	
Eqv.	4030026220	S.CER MG15B104K160CT	[#16]	
C629	4030023010	S.CER 0402B104K160CT	[#17]	
Eqv.	4030026220	S.CER MG15B104K160CT	[#17]	
C629	4030023010	S.CER 0402B104K160CT	[#43]	
Eqv.	4030026220	S.CER MG15B104K160CT	[#43]	
C629	4030023010	S.CER 0402B104K160CT	[#44]	
Eqv.	4030026220	S.CER MG15B104K160CT	[#44]	
C629	4030023010	S.CER 0402B104K160CT	[#46]	
Eqv.	4030026220	S.CER MG15B104K160CT	[#46]	
C629	4030023010	S.CER 0402B104K160CT	[#47]	
Eqv.	4030026220	S.CER MG15B104K160CT	[#47]	
C630	4030022640	S.CER 0402N101J500CT	[#13] B	19.3/90.9
Eqv.	4030026140	S.CER MG15N101J500CT	[#13]	
C630	4030022640	S.CER 0402N101J500CT	[#14]	
Eqv.	4030026140	S.CER MG15N101J500CT	[#14]	
C630	4030022640	S.CER 0402N101J500CT	[#16]	
Eqv.	4030026140	S.CER MG15N101J500CT	[#16]	
C630	4030022640	S.CER 0402N101J500CT	[#17]	
Eqv.	4030026140	S.CER MG15N101J500CT	[#17]	
C630	4030022640	S.CER 0402N101J500CT	[#43]	
Eqv.	4030026140	S.CER MG15N101J500CT	[#43]	
C630	4030022640	S.CER 0402N101J500CT	[#44]	
Eqv.	4030026140	S.CER MG15N101J500CT	[#44]	
C630	4030022640	S.CER 0402N101J500CT	[#46]	
Eqv.	4030026140	S.CER MG15N101J500CT	[#46]	
C630	4030022640	S.CER 0402N101J500CT	[#47]	
Eqv.	4030026140	S.CER MG15N101J500CT	[#47]	
C631	4050000380	S.FEE NFM15PC104R1A3D	[#13] B	18.2/89.2
	4050000380	S.FEE NFM15PC104R1A3D	[#14]	
	4050000380	S.FEE NFM15PC104R1A3D	[#16]	
	4050000380	S.FEE NFM15PC104R1A3D	[#17]	
	4050000380	S.FEE NFM15PC104R1A3D	[#43]	
	4050000380	S.FEE NFM15PC104R1A3D	[#44]	
	4050000380	S.FEE NFM15PC104R1A3D	[#46]	
	4050000380	S.FEE NFM15PC104R1A3D	[#47]	
C632	4050000380	S.FEE NFM15PC104R1A3D	[#13] B	33.6/94.1
	4050000380	S.FEE NFM15PC104R1A3D	[#14]	
	4050000380	S.FEE NFM15PC104R1A3D	[#16]	
	4050000380	S.FEE NFM15PC104R1A3D	[#17]	
	4050000380	S.FEE NFM15PC104R1A3D	[#43]	
	4050000380	S.FEE NFM15PC104R1A3D	[#44]	
	4050000380	S.FEE NFM15PC104R1A3D	[#46]	
	4050000380	S.FEE NFM15PC104R1A3D	[#47]	
C633	4030019560	S.CER GRM21BB31C106KE15L	B	33.7/92.4
	4030019560	S.CER GRM21BB31C106KE15L	[#13]	
	4030019560	S.CER GRM21BB31C106KE15L	[#14]	
	4030019560	S.CER GRM21BB31C106KE15L	[#16]	
	4030019560	S.CER GRM21BB31C106KE15L	[#17]	
	4030019560	S.CER GRM21BB31C106KE15L	[#43]	
	4030019560	S.CER GRM21BB31C106KE15L	[#44]	
	4030019560	S.CER GRM21BB31C106KE15L	[#46]	
	4030019560	S.CER GRM21BB31C106KE15L	[#47]	
C634	4030023090	S.CER 0402B102K500CT	[#13] B	32.6/94.0
Eqv.	4030026210	S.CER MG15B102K500CT	[#13]	
C634	4030023090	S.CER 0402B102K500CT	[#14]	
Eqv.	4030026210	S.CER MG15B102K500CT	[#14]	
C634	4030023090	S.CER 0402B102K500CT	[#16]	
Eqv.	4030026210	S.CER MG15B102K500CT	[#16]	
C634	4030023090	S.CER 0402B102K500CT	[#17]	
Eqv.	4030026210	S.CER MG15B102K500CT	[#17]	
C634	4030023090	S.CER 0402B102K500CT	[#43]	
Eqv.	4030026210	S.CER MG15B102K500CT	[#43]	
C634	4030023090	S.CER 0402B102K500CT	[#44]	
Eqv.	4030026210	S.CER MG15B102K500CT	[#44]	
C634	4030023090	S.CER 0402B102K500CT	[#46]	
Eqv.	4030026210	S.CER MG15B102K500CT	[#46]	
C634	4030023090	S.CER 0402B102K500CT	[#47]	
Eqv.	4030026210	S.CER MG15B102K500CT	[#47]	

Eqv.= This component is equivalent to the REF No. component listed above, and may be substituted on parts orders and repairs.

M.=Mounted side (T: Mounted on the Top side, B: Mounted on the Bottom side) H/V LOCATION= Shows mounting location on the PCB.

The underlined parts have been updated from the addendum of the previous version, or from the original page.

[LOGIC-1 UNIT]

REF NO.	PART NO.	DESCRIPTION	M.	H/V LOCATION
C637	4030023090	S.CER 0402B102K500CT	B	28.7/88.4
Eqv.	4030026210	S.CER MG15B102K500CT		
C637	4030023090	S.CER 0402B102K500CT		
Eqv.	4030026210	S.CER MG15B102K500CT		
C637	4030023090	S.CER 0402B102K500CT		
Eqv.	4030026210	S.CER MG15B102K500CT		
C637	4030023090	S.CER 0402B102K500CT		
Eqv.	4030026210	S.CER MG15B102K500CT		
C637	4030023090	S.CER 0402B102K500CT		
Eqv.	4030026210	S.CER MG15B102K500CT		
C637	4030023090	S.CER 0402B102K500CT		
Eqv.	4030026210	S.CER MG15B102K500CT		
C638	4030023090	S.CER 0402B102K500CT		
Eqv.	4030026210	S.CER MG15B102K500CT		
C638	4030023090	S.CER 0402B102K500CT		
Eqv.	4030026210	S.CER MG15B102K500CT		
C638	4030023090	S.CER 0402B102K500CT		
Eqv.	4030026210	S.CER MG15B102K500CT		
C638	4030023090	S.CER 0402B102K500CT		
Eqv.	4030026210	S.CER MG15B102K500CT		
C638	4030023090	S.CER 0402B102K500CT		
Eqv.	4030026210	S.CER MG15B102K500CT		
C638	4030023090	S.CER 0402B102K500CT		
Eqv.	4030026210	S.CER MG15B102K500CT		
C639	4030023090	S.CER 0402B102K500CT	B	22.5/79.2
Eqv.	4030026210	S.CER MG15B102K500CT		
C639	4030023090	S.CER 0402B102K500CT		
Eqv.	4030026210	S.CER MG15B102K500CT		
C639	4030023090	S.CER 0402B102K500CT		
Eqv.	4030026210	S.CER MG15B102K500CT		
C639	4030023090	S.CER 0402B102K500CT		
Eqv.	4030026210	S.CER MG15B102K500CT		
C639	4030023090	S.CER 0402B102K500CT		
Eqv.	4030026210	S.CER MG15B102K500CT		
C639	4030023090	S.CER 0402B102K500CT		
Eqv.	4030026210	S.CER MG15B102K500CT		
C640	4030023090	S.CER 0402B102K500CT		
Eqv.	4030026210	S.CER MG15B102K500CT		
C640	4030023090	S.CER 0402B102K500CT		
Eqv.	4030026210	S.CER MG15B102K500CT		
C640	4030023090	S.CER 0402B102K500CT		
Eqv.	4030026210	S.CER MG15B102K500CT		
C640	4030023090	S.CER 0402B102K500CT		
Eqv.	4030026210	S.CER MG15B102K500CT		
C640	4030023090	S.CER 0402B102K500CT		
Eqv.	4030026210	S.CER MG15B102K500CT		
C640	4030023090	S.CER 0402B102K500CT		
Eqv.	4030026210	S.CER MG15B102K500CT		
C641	4030023090	S.CER 0402B102K500CT	B	18.3/84.1
Eqv.	4030026210	S.CER MG15B102K500CT		
C641	4030023090	S.CER 0402B102K500CT		
Eqv.	4030026210	S.CER MG15B102K500CT		
C641	4030023090	S.CER 0402B102K500CT		
Eqv.	4030026210	S.CER MG15B102K500CT		
C641	4030023090	S.CER 0402B102K500CT		
Eqv.	4030026210	S.CER MG15B102K500CT		
C641	4030023090	S.CER 0402B102K500CT		
Eqv.	4030026210	S.CER MG15B102K500CT		
C641	4030023090	S.CER 0402B102K500CT		
Eqv.	4030026210	S.CER MG15B102K500CT		
C642	4030023090	S.CER 0402B102K500CT		
Eqv.	4030026210	S.CER MG15B102K500CT		
C642	4030023090	S.CER 0402B102K500CT		
Eqv.	4030026210	S.CER MG15B102K500CT		
C642	4030023090	S.CER 0402B102K500CT		
Eqv.	4030026210	S.CER MG15B102K500CT		
C642	4030023090	S.CER 0402B102K500CT		
Eqv.	4030026210	S.CER MG15B102K500CT		
C642	4030023090	S.CER 0402B102K500CT		
Eqv.	4030026210	S.CER MG15B102K500CT		
C642	4030023090	S.CER 0402B102K500CT		
Eqv.	4030026210	S.CER MG15B102K500CT		
C642	4030023090	S.CER 0402B102K500CT		
Eqv.	4030026210	S.CER MG15B102K500CT		

REF NO.	PART NO.	DESCRIPTION	M.	H/V LOCATION		
C643	4050000380	S.FEE NFM15PC104R1A3D	T	20.1/13.2		
Eqv.	4050000380	S.FEE NFM15PC104R1A3D				
C643	4050000380	S.FEE NFM15PC104R1A3D				
Eqv.	4050000380	S.FEE NFM15PC104R1A3D				
C643	4050000380	S.FEE NFM15PC104R1A3D				
Eqv.	4050000380	S.FEE NFM15PC104R1A3D				
C643	4050000380	S.FEE NFM15PC104R1A3D				
Eqv.	4050000380	S.FEE NFM15PC104R1A3D				
C645	4030021240	S.CER C1005 JB 1C 105K-T			B	36.3/10.2
Eqv.	4030021240	S.CER C1005 JB 1C 105K-T				
C645	4030021240	S.CER C1005 JB 1C 105K-T				
Eqv.	4030021240	S.CER C1005 JB 1C 105K-T				
C645	4030021240	S.CER C1005 JB 1C 105K-T				
Eqv.	4030021240	S.CER C1005 JB 1C 105K-T				
C645	4030021240	S.CER C1005 JB 1C 105K-T				
Eqv.	4030021240	S.CER C1005 JB 1C 105K-T				
C645	4030021240	S.CER C1005 JB 1C 105K-T				
Eqv.	4030021240	S.CER C1005 JB 1C 105K-T				
C645	4030021240	S.CER C1005 JB 1C 105K-T				
Eqv.	4030021240	S.CER C1005 JB 1C 105K-T				
C648	4030026720	S.CER RF15N3R0B500CT	T	25.0/16.5		
Eqv.	4030026720	S.CER RF15N3R0B500CT				
C648	4030026720	S.CER RF15N3R0B500CT				
Eqv.	4030026720	S.CER RF15N3R0B500CT				
C648	4030026720	S.CER RF15N3R0B500CT				
Eqv.	4030026720	S.CER RF15N3R0B500CT				
C648	4030026720	S.CER RF15N3R0B500CT				
Eqv.	4030026720	S.CER RF15N3R0B500CT				
C648	4030026720	S.CER RF15N3R0B500CT				
Eqv.	4030026720	S.CER RF15N3R0B500CT				
C648	4030026720	S.CER RF15N3R0B500CT				
Eqv.	4030026720	S.CER RF15N3R0B500CT				
C649	4030026720	S.CER RF15N3R0B500CT			T	23.6/18.8
Eqv.	4030026720	S.CER RF15N3R0B500CT				
C649	4030026720	S.CER RF15N3R0B500CT				
Eqv.	4030026720	S.CER RF15N3R0B500CT				
C649	4030026720	S.CER RF15N3R0B500CT				
Eqv.	4030026720	S.CER RF15N3R0B500CT				
C649	4030026720	S.CER RF15N3R0B500CT				
Eqv.	4030026720	S.CER RF15N3R0B500CT				
C649	4030026720	S.CER RF15N3R0B500CT				
Eqv.	4030026720	S.CER RF15N3R0B500CT				
C649	4030026720	S.CER RF15N3R0B500CT				
Eqv.	4030026720	S.CER RF15N3R0B500CT				
C650	4030023010	S.CER 0402B104K160CT	B	40.4/5.5		
Eqv.	4030026220	S.CER MG15B104K160CT				
C650	4030023010	S.CER 0402B104K160CT				
Eqv.	4030026220	S.CER MG15B104K160CT				
C650	4030023010	S.CER 0402B104K160CT				
Eqv.	4030026220	S.CER MG15B104K160CT				
C650	4030023010	S.CER 0402B104K160CT				
Eqv.	4030026220	S.CER MG15B104K160CT				
C650	4030023010	S.CER 0402B104K160CT				
Eqv.	4030026220	S.CER MG15B104K160CT				
C650	4030023010	S.CER 0402B104K160CT				
Eqv.	4030026220	S.CER MG15B104K160CT				
C650	4030023010	S.CER 0402B104K160CT				
Eqv.	4030026220	S.CER MG15B104K160CT				
C651	4030019560	S.CER GRM21BB31C106KE15L	B	36.7/7.1		
Eqv.	4030019560	S.CER GRM21BB31C106KE15L				
C651	4030019560	S.CER GRM21BB31C106KE15L				
Eqv.	4030019560	S.CER GRM21BB31C106KE15L				
C651	4030019560	S.CER GRM21BB31C106KE15L				
Eqv.	4030019560	S.CER GRM21BB31C106KE15L				
C651	4030019560	S.CER GRM21BB31C106KE15L				
Eqv.	4030019560	S.CER GRM21BB31C106KE15L				
C651	4030019560	S.CER GRM21BB31C106KE15L				
Eqv.	4030019560	S.CER GRM21BB31C106KE15L				
C651	4030019560	S.CER GRM21BB31C106KE15L				
Eqv.	4030019560	S.CER GRM21BB31C106KE15L				
C652	4030022640	S.CER 0402N101J500CT			B	39.0/3.3
Eqv.	4030026140	S.CER MG15N101J500CT				
C652	4030022640	S.CER 0402N101J500CT				
Eqv.	4030026140	S.CER MG15N101J500CT				
C652	4030022640	S.CER 0402N101J500CT				
Eqv.	4030026140	S.CER MG15N101J500CT				
C652	4030022640	S.CER 0402N101J500CT				
Eqv.	4030026140	S.CER MG15N101J500CT				
C652	4030022640	S.CER 0402N101J500CT				
Eqv.	4030026140	S.CER MG15N101J500CT				
C652	4030022640	S.CER 0402N101J500CT				
Eqv.	4030026140	S.CER MG15N101J500CT				
C652	4030022640	S.CER 0402N101J500CT				
Eqv.	4030026140	S.CER MG15N101J500CT				
C653	4030023010	S.CER 0402B104K160CT	B	42.2/5.1		
Eqv.	4030026220	S.CER MG15B104K160CT				
C653	4030023010	S.CER 0402B104K160CT				
Eqv.	4030026220	S.CER MG15B104K160CT				
C653	4030023010	S.CER 0402B104K160CT				
Eqv.	4030026220	S.CER MG15B104K160CT				
C653	4030023010	S.CER 0402B104K160CT				
Eqv.	4030026220	S.CER MG15B104K160CT				
C653	4030023010	S.CER 0402B104K160CT				
Eqv.	4030026220	S.CER MG15B104K160CT				
C653	4030023010	S.CER 0402B104K160CT				
Eqv.	4030026220	S.CER MG15B104K160CT				
C653	4030023010	S.CER 0402B104K160CT				
Eqv.	4030026220	S.CER MG15B104K160CT				
C654	4030023090	S.CER 0402B102K500CT	B	41.3/89.6		
Eqv.	4030026210	S.CER MG15B102K500CT				
C655	4030023090	S.CER 0402B102K500CT	B	39.3/89.6		
Eqv.	4030026210	S.CER MG15B102K500CT				
C656	4030023090	S.CER 0402B102K500CT	B	38.3/89.7		
Eqv.	4030026210	S.CER MG15B102K500CT				
C657	4030023090	S.CER 0402B102K500CT	B	42.3/89.6		
Eqv.	4030026210	S.CER MG15B102K500CT				
C659	4030023010	S.CER 0402B104K160CT	B	28.6/10.3		
Eqv.	4030026220	S.CER MG15B104K160CT				
C660	4030023010	S.CER 0402B104K160CT	B	34.2/30.5		
Eqv.	4030026220	S.CER MG15B104K160CT				
C661	4030019560	S.CER GRM21BB31C106KE15L	B	43.4/44.6		

Eqv.= This component is equivalent to the REF No. component listed above, and may be substituted on parts orders and repairs.

M.=Mounted side (T: Mounted on the Top side, B: Mounted on the Bottom side)
H/V LOCATION= Shows mounting location on the PCB.

The underlined parts have been updated from the addendum of the previous version, or from the original page.

[LOGIC-1 UNIT]

REF NO.	PART NO.	DESCRIPTION	M.	H/V LOCATION	REF NO.	PART NO.	DESCRIPTION	M.	H/V LOCATION	
C662	4030021520	S.CER GRM31CB31H106KA12L	T	31.4/24.4	C705	4030023090	S.CER 0402B102K500CT	[#13]	T	24.9/13.7
Eqv.	4030026370	S.CER CL31A106KBHNNPE			Eqv.	4030026210	S.CER MG15B102K500CT	[#13]		
C663	4030021520	S.CER GRM31CB31H106KA12L	T	32.4/28.2	C705	4030023090	S.CER 0402B102K500CT	[#14]		
Eqv.	4030026370	S.CER CL31A106KBHNNPE			Eqv.	4030026210	S.CER MG15B102K500CT	[#14]		
C664	4030021520	S.CER GRM31CB31H106KA12L	T	32.4/30.4	C705	4030023090	S.CER 0402B102K500CT	[#16]		
Eqv.	4030026370	S.CER CL31A106KBHNNPE			Eqv.	4030026210	S.CER MG15B102K500CT	[#16]		
C666	4030023010	S.CER 0402B104K160CT	T	33.3/22.3	C705	4030023090	S.CER 0402B102K500CT	[#17]		
Eqv.	4030026220	S.CER MG15B104K160CT			Eqv.	4030026210	S.CER MG15B102K500CT	[#17]		
C667	4030023010	S.CER 0402B104K160CT	T	33.7/23.8	C705	4030023090	S.CER 0402B102K500CT	[#43]		
Eqv.	4030026220	S.CER MG15B104K160CT			Eqv.	4030026210	S.CER MG15B102K500CT	[#43]		
C669	4030022630	S.CER 0402N100C500CT	B	37.1/54.5	C705	4030023090	S.CER 0402B102K500CT	[#44]		
C670	4030026700	S.CER RF15N1R0B500CT	B	42.0/53.9	Eqv.	4030026210	S.CER MG15B102K500CT	[#44]		
C671	4030022640	S.CER 0402N101J500CT	B	42.1/56.8	C705	4030023090	S.CER 0402B102K500CT	[#46]		
Eqv.	4030026140	S.CER MG15N101J500CT			Eqv.	4030026210	S.CER MG15B102K500CT	[#46]		
C672	4030023010	S.CER 0402B104K160CT	B	39.3/58.5	C705	4030023090	S.CER 0402B102K500CT	[#47]		
Eqv.	4030026220	S.CER MG15B104K160CT			Eqv.	4030026210	S.CER MG15B102K500CT	[#47]		
C674	4030023030	S.CER 0402B103K250CT	B	26.9/68.8	C708	4030023090	S.CER 0402B102K500CT		T	26.6/20.9
Eqv.	4030026200	S.CER MG15B103K250CT			Eqv.	4030026210	S.CER MG15B102K500CT			
C677	4030022940	S.CER 0402B104K100CT	B	27.5/43.2	C709	4030021240	S.CER C1005 JB 1C 105K-T	[#13]	B	36.3/4.4
Eqv.	4030026190	S.CER MG15B104K100CT				4030021240	S.CER C1005 JB 1C 105K-T	[#14]		
C678	4030023090	S.CER 0402B102K500CT	B	31.5/41.9		4030021240	S.CER C1005 JB 1C 105K-T	[#16]		
Eqv.	4030026210	S.CER MG15B102K500CT				4030021240	S.CER C1005 JB 1C 105K-T	[#17]		
C679	4030023090	S.CER 0402B102K500CT	B	37.1/56.1		4030021240	S.CER C1005 JB 1C 105K-T	[#43]		
Eqv.	4030026210	S.CER MG15B102K500CT				4030021240	S.CER C1005 JB 1C 105K-T	[#44]		
C680	4030023090	S.CER 0402B102K500CT	B	36.2/56.2		4030021240	S.CER C1005 JB 1C 105K-T	[#46]		
Eqv.	4030026210	S.CER MG15B102K500CT				4030021240	S.CER C1005 JB 1C 105K-T	[#47]		
C681	4030022940	S.CER 0402B104K100CT	B	35.3/56.2	C711	4030023090	S.CER 0402B102K500CT		B	39.1/33.8
Eqv.	4030026190	S.CER MG15B104K100CT			Eqv.	4030026210	S.CER MG15B102K500CT			
C682	4030023000	S.CER 0402B683K100CT	B	22.8/65.8	C712	4030022920	S.CER 0402N820J500CT		B	31.2/45.6
C683	4030022940	S.CER 0402B104K100CT	B	24.1/68.2	C713	4030022920	S.CER 0402N820J500CT		B	24.5/42.4
Eqv.	4030026190	S.CER MG15B104K100CT			C714	4030020000	S.CER C1005 JB 1A 105K-T		B	31.3/65.3
C684	4030023010	S.CER 0402B104K160CT	B	36.2/54.5	C715	4030023820	S.CER 0603B104K250CT		B	26.7/63.6
Eqv.	4030026220	S.CER MG15B104K160CT			Eqv.	4030026170	S.CER MG18B104K250CT			
C687	4030023010	S.CER 0402B104K160CT	B	25.2/36.6	C716	4030023210	S.CER 0402B472K500CT		B	34.1/64.8
Eqv.	4030026220	S.CER MG15B104K160CT			C717	4030023210	S.CER 0402B472K500CT		B	26.9/58.1
C688	4030019560	S.CER GRM21BB31C106KE15L	B	23.8/36.4	C718	4030023210	S.CER 0402B472K500CT		B	31.5/27.6
C689	4030023090	S.CER 0402B102K500CT	B	29.0/27.2	C719	4030023210	S.CER 0402B472K500CT		B	40.0/18.9
Eqv.	4030026210	S.CER MG15B102K500CT			C720	4550008210	S.TAN 267M3502 104MR	[#13]	B	5.8/15.6
C693	4030022940	S.CER 0402B104K100CT	T	16.4/15.5		4550008210	S.TAN 267M3502 104MR	[#14]		
Eqv.	4030026190	S.CER MG15B104K100CT				4550008210	S.TAN 267M3502 104MR	[#16]		
C694	4030023090	S.CER 0402B102K500CT	[#13]	B	18.8/82.1		4550008210	S.TAN 267M3502 104MR	[#17]	
Eqv.	4030026210	S.CER MG15B102K500CT	[#13]				4550008210	S.TAN 267M3502 104MR	[#43]	
C694	4030023090	S.CER 0402B102K500CT	[#14]				4550008210	S.TAN 267M3502 104MR	[#44]	
Eqv.	4030026210	S.CER MG15B102K500CT	[#14]				4550008210	S.TAN 267M3502 104MR	[#46]	
C694	4030023090	S.CER 0402B102K500CT	[#16]				4550008210	S.TAN 267M3502 104MR	[#47]	
Eqv.	4030026210	S.CER MG15B102K500CT	[#16]				4550008210	S.TAN 267M3502 104MR	[#13]	B
C694	4030023090	S.CER 0402B102K500CT	[#17]		C721	4550008210	S.TAN 267M3502 104MR	[#13]	B	9.1/20.4
Eqv.	4030026210	S.CER MG15B102K500CT	[#17]			4550008210	S.TAN 267M3502 104MR	[#14]		
C694	4030023090	S.CER 0402B102K500CT	[#43]			4550008210	S.TAN 267M3502 104MR	[#16]		
Eqv.	4030026210	S.CER MG15B102K500CT	[#43]			4550008210	S.TAN 267M3502 104MR	[#17]		
C694	4030023090	S.CER 0402B102K500CT	[#44]			4550008210	S.TAN 267M3502 104MR	[#43]		
Eqv.	4030026210	S.CER MG15B102K500CT	[#44]			4550008210	S.TAN 267M3502 104MR	[#44]		
C694	4030023090	S.CER 0402B102K500CT	[#46]			4550008210	S.TAN 267M3502 104MR	[#46]		
Eqv.	4030026210	S.CER MG15B102K500CT	[#46]			4550008210	S.TAN 267M3502 104MR	[#47]		
C694	4030023090	S.CER 0402B102K500CT	[#47]			4550008210	S.TAN 267M3502 104MR	[#47]		
Eqv.	4030026210	S.CER MG15B102K500CT	[#47]							
C695	4030023010	S.CER 0402B104K160CT	T	18.8/7.4						
Eqv.	4030026220	S.CER MG15B104K160CT								
C696	4030023010	S.CER 0402B104K160CT	T	15.9/11.4						
Eqv.	4030026220	S.CER MG15B104K160CT								
C698	4030023010	S.CER 0402B104K160CT	B	39.9/47.0						
Eqv.	4030026220	S.CER MG15B104K160CT								
C699	4030023010	S.CER 0402B104K160CT	B	43.2/42.2						
Eqv.	4030026220	S.CER MG15B104K160CT								
C700	4030023090	S.CER 0402B102K500CT	B	44.2/42.2						
Eqv.	4030026210	S.CER MG15B102K500CT								
C701	4030023090	S.CER 0402B102K500CT	B	25.7/33.6						
Eqv.	4030026210	S.CER MG15B102K500CT								
C703	4030023000	S.CER 0402B683K100CT	[#13]	T	21.7/11.2					
	4030023000	S.CER 0402B683K100CT	[#14]							
	4030023000	S.CER 0402B683K100CT	[#16]							
	4030023000	S.CER 0402B683K100CT	[#17]							
	4030023000	S.CER 0402B683K100CT	[#43]							
	4030023000	S.CER 0402B683K100CT	[#44]							
	4030023000	S.CER 0402B683K100CT	[#46]							
	4030023000	S.CER 0402B683K100CT	[#47]							
C704	4030023090	S.CER 0402B102K500CT	[#13]	T	22.8/17.0					
Eqv.	4030026210	S.CER MG15B102K500CT	[#13]							
C704	4030023090	S.CER 0402B102K500CT	[#14]							
Eqv.	4030026210	S.CER MG15B102K500CT	[#14]							
C704	4030023090	S.CER 0402B102K500CT	[#16]							
Eqv.	4030026210	S.CER MG15B102K500CT	[#16]							
C704	4030023090	S.CER 0402B102K500CT	[#17]							
Eqv.	4030026210	S.CER MG15B102K500CT	[#17]							
C704	4030023090	S.CER 0402B102K500CT	[#43]							
Eqv.	4030026210	S.CER MG15B102K500CT	[#43]							
C704	4030023090	S.CER 0402B102K500CT	[#44]							
Eqv.	4030026210	S.CER MG15B102K500CT	[#44]							
C704	4030023090	S.CER 0402B102K500CT	[#46]							
Eqv.	4030026210	S.CER MG15B102K500CT	[#46]							
C704	4030023090	S.CER 0402B102K500CT	[#47]							
Eqv.	4030026210	S.CER MG15B102K500CT	[#47]							
J1	6510030220	S.CON 50RF-JMCS-G-1B-TF(N)(LF)(SN)			J1	6510030220	S.CON 50RF-JMCS-G-1B-TF(N)(LF)(SN)		B	35.5/23.0
J2	6510031390	S.CON 15FXVL-RSM1-GAN-TF-1(HF)			J2	6510031390	S.CON 15FXVL-RSM1-GAN-TF-1(HF)		T	9.4/7.9
J3	6510023480	S.CON AYU1-1P-02676-120-TF	[#13]		J3	6510023480	S.CON AYU1-1P-02676-120-TF	[#13]	B	23.2/96.1
	6510023480	S.CON AYU1-1P-02676-120-TF	[#14]			6510023480	S.CON AYU1-1P-02676-120-TF	[#14]		
	6510023480	S.CON AYU1-1P-02676-120-TF	[#16]			6510023480	S.CON AYU1-1P-02676-120-TF	[#16]		
	6510023480	S.CON AYU1-1P-02676-120-TF	[#17]			6510023480	S.CON AYU1-1P-02676-120-TF	[#17]		
	6510023480	S.CON AYU1-1P-02676-120-TF	[#43]			6510023480	S.CON AYU1-1P-02676-120-TF	[#43]		
	6510023480	S.CON AYU1-1P-02676-120-TF	[#44]			6510023480	S.CON AYU1-1P-02676-120-TF	[#44]		
	6510023480	S.CON AYU1-1P-02								

The underlined parts have been updated from the addendum of the previous version, or from the original page.

[LOGIC-1 UNIT]

REF NO.	PART NO.	DESCRIPTION	M.	H/V LOCATION
EP3	6910023920	S.BEA BLM15GA750SN1D	[#13]	B 38.5/16.4
	6910023920	S.BEA BLM15GA750SN1D	[#14]	
	6910023920	S.BEA BLM15GA750SN1D	[#16]	
	6910023920	S.BEA BLM15GA750SN1D	[#17]	
	6910023920	S.BEA BLM15GA750SN1D	[#43]	
	6910023920	S.BEA BLM15GA750SN1D	[#44]	
	6910023920	S.BEA BLM15GA750SN1D	[#46]	
	6910023920	S.BEA BLM15GA750SN1D	[#47]	
EP4	6910023920	S.BEA BLM15GA750SN1D	[#13]	B 36.9/15.3
	6910023920	S.BEA BLM15GA750SN1D	[#14]	
	6910023920	S.BEA BLM15GA750SN1D	[#16]	
	6910023920	S.BEA BLM15GA750SN1D	[#17]	
	6910023920	S.BEA BLM15GA750SN1D	[#43]	
	6910023920	S.BEA BLM15GA750SN1D	[#44]	
	6910023920	S.BEA BLM15GA750SN1D	[#46]	
	6910023920	S.BEA BLM15GA750SN1D	[#47]	
EP9	6910020610	S.BEA BLM15BD102SN1D	[#13]	B 18.4/90.9
	6910020610	S.BEA BLM15BD102SN1D	[#14]	
	6910020610	S.BEA BLM15BD102SN1D	[#16]	
	6910020610	S.BEA BLM15BD102SN1D	[#17]	
	6910020610	S.BEA BLM15BD102SN1D	[#43]	
	6910020610	S.BEA BLM15BD102SN1D	[#44]	
	6910020610	S.BEA BLM15BD102SN1D	[#46]	
	6910020610	S.BEA BLM15BD102SN1D	[#47]	
EP10	6910020610	S.BEA BLM15BD102SN1D	T	34.7/22.6
EP11	6910020610	S.BEA BLM15BD102SN1D	T	30.8/20.7
EP12	6910020610	S.BEA BLM15BD102SN1D	T	25.0/21.2
EP13	6910020610	S.BEA BLM15BD102SN1D	T	17.7/28.7
EP14	6910020610	S.BEA BLM15BD102SN1D	T	23.2/21.2
EP16	6910020610	S.BEA BLM15BD102SN1D	T	17.7/27.8
EP19	6910020610	S.BEA BLM15BD102SN1D	T	22.3/21.2

Eqv.= This component is equivalent to the REF No. component listed above, and may be substituted on parts orders and repairs.

M.=Mounted side (T: Mounted on the Top side, B: Mounted on the Bottom side)
H/V LOCATION= Shows mounting location on the PCB.

The underlined parts have been updated from the addendum of the previous version, or from the original page.

[MAIN-1 UNIT] (for [#13], [#14], [#16], [#17], [#23], [#26], [#33], [#34], and [#36])

Table with columns: REF NO., PART NO., DESCRIPTION, M., H/V LOCATION. It lists various electronic components and their specifications, including part numbers like 1110007300 and 1560002350, descriptions like S.IC NJM2552V-TE1, and mounting locations like B and T.

Eqv.= This component is equivalent to the REF No. component listed above, and may be substituted on parts orders and repairs.

M.=Mounted side (T: Mounted on the Top side, B: Mounted on the Bottom side) H/V LOCATION= Shows mounting location on the PCB.

The underlined parts have been updated from the underlined parts of the previous version, or from the original page.

[MAIN-1 UNIT] (for [#13], [#14], [#16], [#17], [#23], [#26], [#33], [#34], and [#36])

REF NO.	PART NO.	DESCRIPTION	M.	H/V LOCATION	REF NO.	PART NO.	DESCRIPTION	M.	H/V LOCATION
R145	7030005820	S.RES RR0510P-103-D (10 k)	B	21.0/27.9	R456	7030015910	S.RES RMC1/16S-101J1TH (100)	B	20.6/50.1
R147	7030005950	S.RES RR0510P-123-D (12 k)	B	19.8/28.3	R457	7410001130	S.ARR EXB28V102JX	B	30.7/48.5
R148	7030016050	S.RES RMC1/16S-102J1TH (1 k)	B	19.1/26.5	R458	7030015970	S.RES RMC1/16S-103J1TH (10 k)	B	22.6/43.9
R150	7030016020	S.RES RMC1/16S-104J1TH (100 k)	B	21.6/23.4	R459	7030015990	S.RES RMC1/16S-683J1TH (68 k)	B	32.9/46.4
R192	7030012260	S.RES ERJ2RKD 4703X (470 k)	T	35.5/61.7	R460	7030016250	S.RES RMC1/16S-220J1TH (22 k)	B	34.2/46.0
Eqv.	7030016740	S.RES RMC1/16SK474DTH (470 k)			R461	7030016560	S.RES RMC1/16SJ1TH (JPW)	B	35.3/37.5
R193	7030016750	S.RES RMC1/16SK124DTH (120 k)	T	34.7/19.6	R462	7410001140	S.ARR EXB28V104JX	T	27.9/49.3
R194	7030012260	S.RES ERJ2RKD 4703X (470 k)	T	19.9/109.9	R463	7030015970	S.RES RMC1/16S-103J1TH (10 k)	B	21.1/49.1
Eqv.	7030016740	S.RES RMC1/16SK474DTH (470 k)			R464	7030016000	S.RES RMC1/16S-823J1TH (82 k)	B	22.9/36.8
R195	7030016750	S.RES RMC1/16SK124DTH (120 k)	T	17.3/109.4	R465	7030015970	S.RES RMC1/16S-103J1TH (10 k)	B	42.4/68.8
R210	7030016560	S.RES RMC1/16SJ1TH (JPW)	B	33.3/23.2	R466	7030016560	S.RES RMC1/16SJ1TH (JPW)	B	43.5/62.9
R211	7030016390	S.RES RMC1/16S-184J1TH (180 k)	B	28.0/58.0	R467	7030015990	S.RES RMC1/16S-683J1TH (68 k)	B	40.5/63.0
R212	7030016110	S.RES RMC1/16S-473J1TH (47 k)	B	27.8/56.8	R468	7030015930	S.RES RMC1/16S-471J1TH (470)	T	21.0/62.9
R213	7030016340	S.RES RMC1/16S-393J1TH (39 k)	B	29.6/56.6	R469	7030016020	S.RES RMC1/16S-104J1TH (100 k)	T	21.8/57.4
R214	7030016450	S.RES RMC1/16S-824J1TH (820 k)	B	23.5/57.0	R470	7030016560	S.RES RMC1/16SJ1TH (JPW)	T	28.0/58.4
R219	7030015660	S.RES RMC1/10-2R7JTP (2.7)	T	11.2/79.6	R472	7030015930	S.RES RMC1/16S-471J1TH (470)	T	31.4/34.7
R220	7030015930	S.RES RMC1/16S-471J1TH (470)	B	40.8/117.2	R473	7030016020	S.RES RMC1/16S-104J1TH (100 k)	T	26.4/41.2
R222	7030016040	S.RES RMC1/16S-224J1TH (220 k)	B	44.7/115.2	R478	7030016560	S.RES RMC1/16SJ1TH (JPW)	B	9.2/35.1
R223	7030015970	S.RES RMC1/16S-103J1TH (10 k)	B	42.3/113.8		7030016780	S.RES RMC1/16SK224DTH (220 k)	[#14]	
R224	7030016330	S.RES RMC1/16S-153J1TH (15 k)	B	44.5/113.1		7030016560	S.RES RMC1/16SJ1TH (JPW)	[#16]	
R225	7030015970	S.RES RMC1/16S-103J1TH (10 k)	B	37.7/26.3		7030016560	S.RES RMC1/16SJ1TH (JPW)	[#17]	
R226	7030016090	S.RES RMC1/16S-223J1TH (22 k)	T	35.6/101.7		7030016780	S.RES RMC1/16SK224DTH (220 k)	[#23]	
R227	7030016050	S.RES RMC1/16S-102J1TH (1 k)	T	39.4/44.1		7030016560	S.RES RMC1/16SJ1TH (JPW)	[#26]	
R231	7030016560	S.RES RMC1/16SJ1TH (JPW)	T	37.1/32.8		7030016560	S.RES RMC1/16SJ1TH (JPW)	[#33]	
R252	7030016560	S.RES RMC1/16SJ1TH (JPW)	B	25.5/44.4		7030016780	S.RES RMC1/16SK224DTH (220 k)	[#34]	
R253	7030016490	S.RES RMC1/16S-391J1TH (390)	B	24.6/44.4	R479	7030016560	S.RES RMC1/16SJ1TH (JPW)	[#36]	
R254	7030015960	S.RES RMC1/16S-472J1TH (4.7 k)	B	10.9/44.2		7030005950	S.RES RR0510P-123-D (12 k)	[#13]	B 8.0/34.5
R256	7030011920	S.RES RR0510P-561-D (560)	T	20.9/48.6		7030017390	S.RES RMC1/16SK184F1TH (180 k)	[#14]	
R258	7030008340	S.RES RR0510P-182-D (1.8 k)	T	17.8/46.1		7030016780	S.RES RMC1/16SK224DTH (220 k)	[#16]	
R260	7030008340	S.RES RR0510P-182-D (1.8 k)	T	8.7/47.2		7030016780	S.RES RMC1/16SK224DTH (220 k)	[#17]	
R262	7030011920	S.RES RR0510P-561-D (560)	T	14.0/44.7		7030017390	S.RES RMC1/16SK184F1TH (180 k)	[#23]	
R265	7030015930	S.RES RMC1/16S-471J1TH (470)	T	18.3/50.3		7030016780	S.RES RMC1/16SK224DTH (220 k)	[#26]	
R266	7030015990	S.RES RMC1/16S-683J1TH (68 k)	T	17.1/49.3		7030005950	S.RES RR0510P-123-D (12 k)	[#33]	
R274	7030015930	S.RES RMC1/16S-471J1TH (470)	B	33.0/68.4		7030017390	S.RES RMC1/16SK184F1TH (180 k)	[#34]	
R283	7030016390	S.RES RMC1/16S-184J1TH (180 k)	B	29.6/57.5		7030016780	S.RES RMC1/16SK224DTH (220 k)	[#36]	
R290	7030015900	S.RES RMC1/16S-470J1TH (47)	T	43.7/68.3	R480	7030012260	S.RES ERJ2RKD 4703X (470 k)	[#13]	B 6.8/33.2
R293	7030016000	S.RES RMC1/16S-823J1TH (82 k)	B	35.2/106.7	Eqv.	7030016740	S.RES RMC1/16SK474DTH (470 k)	[#13]	
R299	7030015640	S.RES RMC1/10J1PTH	T	17.2/79.6	R480	7030005850	S.RES RR0510P-563-D (56 k)	[#14]	
R302	7030015970	S.RES RMC1/16S-103J1TH (10 k)	T	11.8/100.9		7030017390	S.RES RMC1/16SK184F1TH (180 k)	[#16]	
R303	7030015970	S.RES RMC1/16S-103J1TH (10 k)	T	13.2/101.6		7030017390	S.RES RMC1/16SK184F1TH (180 k)	[#17]	
R304	7030015970	S.RES RMC1/16S-103J1TH (10 k)	T	12.0/114.7		7030005850	S.RES RR0510P-563-D (56 k)	[#23]	
R305	7030016290	S.RES RMC1/16S-222J1TH (2.2 k)	T	13.6/113.0		7030017390	S.RES RMC1/16SK184F1TH (180 k)	[#26]	
R311	7030016040	S.RES RMC1/16S-224J1TH (220 k)	B	27.8/103.3		7030012260	S.RES ERJ2RKD 4703X (470 k)	[#33]	
R313	7030015900	S.RES RMC1/16S-470J1TH (47)	B	10.3/51.4	Eqv.	7030016740	S.RES RMC1/16SK474DTH (470 k)	[#33]	
R316	7030016090	S.RES RMC1/16S-223J1TH (22 k)	B	33.6/57.5	R480	7030005850	S.RES RR0510P-563-D (56 k)	[#34]	
R317	7030016110	S.RES RMC1/16S-473J1TH (47 k)	B	31.5/56.6		7030017390	S.RES RMC1/16SK184F1TH (180 k)	[#36]	
R318	7030015970	S.RES RMC1/16S-103J1TH (10 k)	B	32.7/58.4	R481	7030016690	S.RES RMC1/16SK393F1TH (39 k)	[#13]	B 7.4/29.0
R319	7030016110	S.RES RMC1/16S-473J1TH (47 k)	B	33.6/56.6		7030008270	S.RES RR0510P-104-D (100 k)	[#14]	
R320	7030016300	S.RES RMC1/16S-332J1TH (3.3 k)	T	7.6/83.8		7030008270	S.RES RR0510P-104-D (100 k)	[#16]	
R321	7510001661	S.THR NTCG16 4LH 473J1T	T	7.4/85.2		7030008270	S.RES RR0510P-104-D (100 k)	[#17]	
R322	7030016190	S.RES RMC1/16S-273J1TH (27 k)	T	6.7/83.8		7030008270	S.RES RR0510P-104-D (100 k)	[#23]	
R323	7030016440	S.RES RMC1/16S-272J1TH (2.7 k)	T	6.4/82.5		7030008270	S.RES RR0510P-104-D (100 k)	[#26]	
R331	7030016050	S.RES RMC1/16S-102J1TH (1 k)	T	7.1/76.7		7030016690	S.RES RMC1/16SK393F1TH (39 k)	[#33]	
R333	7030016090	S.RES RMC1/16S-223J1TH (22 k)	B	8.5/77.5		7030008270	S.RES RR0510P-104-D (100 k)	[#34]	
R334	7030015970	S.RES RMC1/16S-103J1TH (10 k)	B	32.0/41.4		7030008270	S.RES RR0510P-104-D (100 k)	[#36]	
R338	7030016000	S.RES RMC1/16S-823J1TH (82 k)	B	9.2/119.6	R482	7030017390	S.RES RMC1/16SK184F1TH (180 k)	[#13]	B 7.4/27.9
R349	7030015640	S.RES RMC1/10J1PTH	B	39.6/88.5		7030008270	S.RES RR0510P-104-D (100 k)	[#14]	
R352	7030016270	S.RES RMC1/16S-151J1TH (150)	B	32.2/80.6		7030008270	S.RES RR0510P-104-D (100 k)	[#16]	
R353	7030016560	S.RES RMC1/16SJ1TH (JPW)	B	31.2/90.8		7030008270	S.RES RR0510P-104-D (100 k)	[#17]	
R355	7030016240	S.RES RMC1/16S-684J1TH (680 k)	B	45.1/72.3		7030008270	S.RES RR0510P-104-D (100 k)	[#23]	
R357	7030016050	S.RES RMC1/16S-102J1TH (1 k)	B	45.1/78.7		7030008270	S.RES RR0510P-104-D (100 k)	[#26]	
R359	7030016050	S.RES RMC1/16S-102J1TH (1 k)	B	21.5/39.7		7030017390	S.RES RMC1/16SK184F1TH (180 k)	[#33]	
R361	7030016090	S.RES RMC1/16S-223J1TH (22 k)	B	27.0/82.6		7030008270	S.RES RR0510P-104-D (100 k)	[#34]	
R363	7030016090	S.RES RMC1/16S-223J1TH (22 k)	B	28.8/93.4		7030008270	S.RES RR0510P-104-D (100 k)	[#36]	
R366	7030015910	S.RES RMC1/16S-101J1TH (100)	B	23.5/81.7	R483	7030005840	S.RES RR0510P-473-D (47 k)	[#13]	B 5.8/24.3
R367	7030015910	S.RES RMC1/16S-101J1TH (100)	B	22.8/91.8		7030008270	S.RES RR0510P-104-D (100 k)	[#14]	
R368	7030015970	S.RES RMC1/16S-103J1TH (10 k)	B	14.7/87.4		7030008270	S.RES RR0510P-104-D (100 k)	[#16]	
R369	7030016050	S.RES RMC1/16S-102J1TH (1 k)	B	25.6/76.4		7030008270	S.RES RR0510P-104-D (100 k)	[#17]	
R370	7030016050	S.RES RMC1/16S-102J1TH (1 k)	B	12.2/102.0		7030008270	S.RES RR0510P-104-D (100 k)	[#23]	
R374	7030016330	S.RES RMC1/16S-153J1TH (15 k)	B	39.5/77.2		7030008270	S.RES RR0510P-104-D (100 k)	[#26]	
R375	7030016360	S.RES RMC1/16S-123J1TH (12 k)	T	27.1/87.2		7030005840	S.RES RR0510P-473-D (47 k)	[#33]	
R376	7030016330	S.RES RMC1/16S-153J1TH (15 k)	B	37.0/66.6		7030008270	S.RES RR0510P-104-D (100 k)	[#34]	
R377	7030016360	S.RES RMC1/16S-123J1TH (12 k)	T	39.4/71.7		7030008270	S.RES RR0510P-104-D (100 k)	[#36]	
R378	7030016270	S.RES RMC1/16S-151J1TH (150)	B	15.4/57.9	R484	7030008270	S.RES RR0510P-104-D (100 k)	[#16]	B 6.2/23.0
R379	7030016470	S.RES RMC1/16S-390J1TH (39)	B	14.5/57.9	R485	7030005840	S.RES RR0510P-473-D (47 k)	[#13]	B 5.8/17.7
R380	7030016270	S.RES RMC1/16S-151J1TH (150)	B	15.9/59.1		7030008270	S.RES RR0510P-104-D (100 k)	[#14]	
R381	7030016050	S.RES RMC1/16S-102J1TH (1 k)	B	29.0/73.1		7030008270	S.RES RR0510P-104-D (100 k)	[#16]	
R388	7030016360	S.RES RMC1/16S-123J1TH (12 k)	T	43.3/71.3		7030008270	S.RES RR0510P-104-D (100 k)	[#17]	
R389	7030016360	S.RES RMC1/16S-123J1TH (12 k)	T	28.5/69.3		7030008270	S.RES RR0510P-104-D (100 k)	[#23]	
R390	7030016050	S.RES RMC1/16S-102J1TH (1 k)	T	31.1/68.1		7030008270	S.RES RR0510P-104-D (100 k)	[#26]	
R391	7030016060	S.RES RMC1/16S-105J1TH (1 M)	B	33.3/36.5		7030005840	S.RES RR0510P-473-D (47 k)	[#33]	
R393	7030016450	S.RES RMC1/16S-824J1TH (820 k)	B	29.4/37.6		7030008270	S.RES RR0510P-104-D (100 k)	[#34]	
R394	7030016400	S.RES RMC1/16S-564J1TH (560 k)	B	30.8/37.0		7030008270	S.RES RR0510P-104-D (100 k)	[#36]	
R397	7030016560	S.RES RMC1/16SJ1TH (JPW)	B	24.3/95.7	R486	7030005860	S.RES RR0510P-823-D (82 k)	[#13]	B 4.9/16.1
R398	7030016020	S.RES RMC1/16S-104J1TH (100 k)	B	26.5/66.3		7030008270	S.RES RR0510P-104-D (100 k)	[#14]	
R399	7030008270	S.RES RR0510P-104-D (100 k)	B	21.1/65.4		7030008270	S.RES RR0510P-104-D (100 k)	[#16]	
R400	7030005840	S.RES RR0510P-473-D (47 k)	B	23.7/62.4		7030008270	S.RES RR0510P-104-D (100 k)		

The underlined parts have been updated from the addendum of the previous version, or from the original page.

[MAIN-1 UNIT] (for [#13], [#14], [#16], [#17], [#23], [#26], [#33], [#34], and [#36])

REF NO.	PART NO.	DESCRIPTION	M.	H/V LOCATION	REF NO.	PART NO.	DESCRIPTION	M.	H/V LOCATION	
C64	4030023090	S.CER 0402B102K500CT	B	12.1/100.3	C173	4550008160	S.TAN F931A226MAA	B	7.7/55.0	
Eqv.	4030026210	S.CER MG15B102K500CT			Eqv.	267E1002226MR533	S.TAN			
C65	4030023090	S.CER 0402B102K500CT	B	37.1/106.7	C174	4030023010	S.CER 0402B104K160CT	B	22.2/50.1	
Eqv.	4030026210	S.CER MG15B102K500CT			Eqv.	4030026220	S.CER MG15B104K160CT			
C66	4030023010	S.CER 0402B104K160CT	B	36.5/105.0	C176	4030023010	S.CER 0402B104K160CT	T	16.4/109.4	
Eqv.	4030026220	S.CER MG15B104K160CT			Eqv.	4030026220	S.CER MG15B104K160CT			
C67	4030023090	S.CER 0402B102K500CT	B	34.7/102.6	C180	4030023010	S.CER 0402B104K160CT	T	34.7/18.7	
Eqv.	4030026210	S.CER MG15B102K500CT			Eqv.	4030026220	S.CER MG15B104K160CT			
C68	4030023090	S.CER 0402B102K500CT	B	29.6/103.9	C186	4030023010	S.CER 0402B104K160CT	B	18.9/28.4	
Eqv.	4030026210	S.CER MG15B102K500CT			Eqv.	4030026220	S.CER MG15B104K160CT			
C69	4030020000	S.CER C1005 JB 1A 105K-T	B	36.5/103.1	C187	4030023010	S.CER 0402B104K160CT	B	17.0/25.9	
C71	4030017630	S.CER C1005 CH 1H 120J-T	B	17.0/104.1	Eqv.	4030026220	S.CER MG15B104K160CT			
Eqv.	4030026570	S.CER RF15N120J500CT			C188	4030017480	S.CER C1608 JB 1A 474K-T	B	18.0/26.4	
C72	4030026700	S.CER RF15N1R0B500CT	B	31.8/105.1	C190	4030022750	S.CER C4002N221J500CT	B	14.4/104.1	
C73	4030022790	S.CER 0402N2R5B500CT	B	32.9/102.4	C191	4030023030	S.CER 0402B103K250CT	B	31.5/103.5	
C74	4030022720	S.CER 0402N1R5B500CT	B	35.3/101.0	Eqv.	4030026200	S.CER MG15B103K250CT			
C75	4030023090	S.CER 0402B102K500CT	B	29.6/102.3	C192	4030023090	S.CER 0402B102K500CT	B	26.9/99.6	
Eqv.	4030026210	S.CER MG15B102K500CT			Eqv.	4030026210	S.CER MG15B102K500CT			
C76	4030023090	S.CER 0402B102K500CT	B	39.1/108.4	C193	4030023090	S.CER 0402B102K500CT	B	26.8/98.7	
Eqv.	4030026210	S.CER MG15B102K500CT			Eqv.	4030026210	S.CER MG15B102K500CT			
C77	4030026710	S.CER RF15N2R0B500CT	B	33.6/98.9	C196	4030023010	S.CER 0402B104K160CT	B	22.6/28.8	
C78	4030026590	S.CER RF15N180J500CT	B	31.7/98.1	Eqv.	4030026220	S.CER MG15B104K160CT			
C79	4030023090	S.CER 0402B102K500CT	B	30.3/100.9	C197	4030023250	S.CER 0402B682K500CT	[#13] [#14] [#16] [#17] [#23] [#26] [#33] [#34] [#36]	B	27.3/62.2
Eqv.	4030026210	S.CER MG15B102K500CT				4030023020	S.CER 0402B473K160CT			
C80	4030023090	S.CER 0402B102K500CT	B	24.4/93.7		4030023020	S.CER 0402B473K160CT			
Eqv.	4030026210	S.CER MG15B102K500CT				4030023020	S.CER 0402B473K160CT			
C81	4030023090	S.CER 0402B102K500CT	B	28.2/94.7		4030023020	S.CER 0402B473K160CT			
Eqv.	4030026210	S.CER MG15B102K500CT				4030023250	S.CER 0402B682K500CT			
C82	4030023030	S.CER 0402B103K250CT	B	32.9/92.6		4030023250	S.CER 0402B682K500CT			
Eqv.	4030026200	S.CER MG15B103K250CT				4030023020	S.CER 0402B473K160CT			
C83	4030023090	S.CER 0402B102K500CT	B	33.8/92.6		4030023020	S.CER 0402B473K160CT			
Eqv.	4030026210	S.CER MG15B102K500CT				4030022840	S.CER 0402N390J500CT	B	38.5/68.6	
C84	4030023090	S.CER 0402B102K500CT	B	33.8/93.8	C202	4030023010	S.CER 0402B104K160CT	B	15.0/6.8	
Eqv.	4030026210	S.CER MG15B102K500CT			Eqv.	4030026220	S.CER MG15B104K160CT			
C85	4030026590	S.CER RF15N180J500CT	B	34.1/95.1	C211	4030023330	S.CER 0603N4R0B500CT	T	13.2/119.4	
C86	4030026750	S.CER RF15N7R0C500CT	B	20.1/85.3	C212	4030023720	S.CER 0603N470J500CT	T	6.7/96.3	
C87	4030022560	S.CER 0402N5R0B500CT	B	13.7/99.9	C223	4030024520	S.CER C1005 JB 1C 474K-T	B	33.3/21.5	
C88	4030023030	S.CER 0402B103K250CT	B	25.7/78.0	C225	4030024050	S.CER 0603B473K500CT	B	6.8/12.9	
Eqv.	4030026200	S.CER MG15B103K250CT			C229	4030023030	S.CER 0402B103K250CT	T	44.6/68.8	
C90	4030023090	S.CER 0402B102K500CT	B	29.0/76.2	Eqv.	4030026200	S.CER MG15B103K250CT			
Eqv.	4030026210	S.CER MG15B102K500CT			C232	4030026710	S.CER RF15N2R0B500CT	B	24.1/91.6	
C91	4030026760	S.CER RF15N8R0C500CT	B	38.5/67.7	C235	4030020000	S.CER C1005 JB 1A 105K-T	B	8.2/108.9	
C92	4030023020	S.CER 0402B473K160CT	B	35.6/64.9	C237	4030023090	S.CER 0402B102K500CT	B	40.8/118.2	
C93	4030023090	S.CER 0402B102K500CT	B	31.7/67.9	Eqv.	4030026210	S.CER MG15B102K500CT			
Eqv.	4030026210	S.CER MG15B102K500CT			C238	4550009050	S.TAN 267E1602475MR	T	38.5/120.9	
C95	4030023030	S.CER 0402B103K250CT	B	31.6/68.8	C239	4030022980	S.CER 0402B473K100CT	B	44.7/116.2	
Eqv.	4030026200	S.CER MG15B103K250CT			C240	4030023090	S.CER 0402B102K500CT	B	40.3/116.3	
C97	4550007520	S.TAN F931A106MAABMA	B	36.6/81.0	Eqv.	4030026210	S.CER MG15B102K500CT			
Eqv.	4550009370	S.TAN 267E1002106MR533			C241	4030023090	S.CER 0402B102K500CT	B	45.3/114.2	
C98	4030022640	S.CER 0402N101J500CT	B	29.1/71.8	Eqv.	4030026210	S.CER MG15B102K500CT			
Eqv.	4030026140	S.CER MG15N101J500CT			C242	4030023010	S.CER 0402B104K160CT	B	37.7/24.7	
C99	4030023030	S.CER 0402B103K250CT	B	28.6/70.6	Eqv.	4030026220	S.CER MG15B104K160CT			
Eqv.	4030026200	S.CER MG15B103K250CT			C243	4030023090	S.CER 0402B102K500CT	B	40.4/114.5	
C100	4030023200	S.CER 0402B471K500CT	B	29.9/69.0	Eqv.	4030026210	S.CER MG15B102K500CT			
C101	4030019560	S.CER GRM21BB31C106KE15L	B	36.5/78.1	C245	4030023010	S.CER 0402B104K160CT	T	35.3/103.8	
C102	4030023200	S.CER 0402B471K500CT	B	28.6/69.3	Eqv.	4030026220	S.CER MG15B104K160CT			
C103	4030026720	S.CER RF15N3R0B500CT	B	43.0/74.1	C249	4030023090	S.CER 0402B102K500CT	T	27.2/52.8	
C104	4030023030	S.CER 0402B103K250CT	B	37.0/68.2	Eqv.	4030026210	S.CER MG15B102K500CT			
Eqv.	4030026200	S.CER MG15B103K250CT			C274	4030023090	S.CER 0402B102K500CT	B	36.2/84.6	
C106	4030023010	S.CER 0402B104K160CT	B	40.1/70.6	Eqv.	4030026210	S.CER MG15B102K500CT			
Eqv.	4030026220	S.CER MG15B104K160CT			C293	4030023090	S.CER 0402B102K500CT	B	12.7/4.0	
C107	4030020000	S.CER C1005 JB 1A 105K-T	T	42.6/67.4	Eqv.	4030026210	S.CER MG15B102K500CT			
C110	4030023090	S.CER 0402B102K500CT	B	36.5/104.1	C294	4030020000	S.CER C1005 JB 1A 105K-T	B	29.6/55.7	
Eqv.	4030026210	S.CER MG15B102K500CT			C296	4030023760	S.CER 0603N680J500CT	T	9.2/87.2	
C113	4030023010	S.CER 0402B104K160CT	B	42.8/80.9	C297	4030023570	S.CER 0603N201J500CT	T	6.7/95.1	
Eqv.	4030026220	S.CER MG15B104K160CT			C301	4030023090	S.CER 0402B102K500CT	B	13.1/43.6	
C115	4030023010	S.CER 0402B104K160CT	B	29.3/63.3	Eqv.	4030026210	S.CER MG15B102K500CT			
Eqv.	4030026220	S.CER MG15B104K160CT			C302	4030022810	S.CER 0402N330J500CT	T	20.9/42.6	
C116	4030023090	S.CER 0402B102K500CT	T	18.5/75.9	C306	4030023670	S.CER 0603N330J500CT	T	16.7/45.0	
Eqv.	4030026210	S.CER MG15B102K500CT			C307	4030022570	S.CER 0402N6R0C500CT	T	11.7/42.3	
C117	4030023090	S.CER 0402B102K500CT	T	19.5/80.9	C308	4030023090	S.CER 0402B102K500CT	B	11.8/44.2	
Eqv.	4030026210	S.CER MG15B102K500CT			Eqv.	4030026210	S.CER MG15B102K500CT			
C118	4030023030	S.CER 0402B103K250CT	T	18.6/80.9	C309	4030023090	S.CER 0402B102K500CT	B	11.4/46.5	
Eqv.	4030026200	S.CER MG15B103K250CT			Eqv.	4030026210	S.CER MG15B102K500CT			
C121	4030019560	S.CER GRM21BB31C106KE15L	T	35.3/110.2	C310	4030023670	S.CER 0603N330J500CT	T	19.5/48.0	
C125	4030023030	S.CER 0402B103K250CT	T	21.9/109.5	C311	4030023790	S.CER 0603N820J500CT	T	9.5/45.2	
Eqv.	4030026200	S.CER MG15B103K250CT			C312	4030023090	S.CER 0402B102K500CT	T	16.4/46.3	
C126	4030023010	S.CER 0402B104K160CT	T	26.6/122.4	Eqv.	4030026210	S.CER MG15B102K500CT			
Eqv.	4030026220	S.CER MG15B104K160CT			C313	4030023090	S.CER 0402B102K500CT	T	12.5/48.6	
C127	4030023090	S.CER 0402B102K500CT	T	33.9/109.6	Eqv.	4030026210	S.CER MG15B102K500CT			
Eqv.	4030026210	S.CER MG15B102K500CT			C315	4030023670	S.CER 0603N330J500CT	T	12.2/45.2	
C130	4510009700	S.ELE EEEFK1C101P	T	37.9/115.5	C316	4030017540	S.CER C1005 CH 1H R75B-T	T	16.3/48.4	
C150	4030026580	S.CER RF15N150J500CT	B	11.0/55.0	Eqv.	4030024490	S.CER 0402NR75B500CT			
C151	4030026680	S.CER RF15N9R0C500CT	B	11.9/51.8	C317	4030017540	S.CER C1005 CH 1H R75B-T	T	12.4/49.7	
C152	4030023090	S.CER 0402B102K500CT	B	14.6/53.8	Eqv.	4030024490	S.CER 0402NR75B500CT			
Eqv.	4030026210	S.CER MG15B102K500CT			C319	4030023090	S.CER 0402B102K500CT	T	19.6/49.8	
C153	4030023090	S.CER 0402B102K500CT	B	14.1/49.0	Eqv.	4030026210	S.CER MG15B102K500CT			
Eqv.	4030026210	S.CER MG15B102K500CT			C321	4030023030	S.CER 0402B103K250CT	B	36.1/68.2	
C155	4030022810	S.CER 0402N330J500CT	T	12.5/50.7	Eqv.	4030026200	S.CER MG15B103K250CT			
C156	4030023090	S.CER 0402B102K500CT	B	15.9/48.9	C323	4030023030	S.CER 0402B103K250CT	B	27.3/94.7	
Eqv.	4030026210	S.CER MG15B102K500CT			Eqv.	4030026200	S.CER MG15B103K250CT			
C168	4550007550	S.TAN F931V334MAABMA								

The underlined parts have been updated from the addendum of the previous version, or from the original page.

[MAIN-1 UNIT] (for [#13], [#14], [#16], [#17], [#23], [#26], [#33], [#34], and [#36])

REF NO.	PART NO.	DESCRIPTION	M.	H/V LOCATION	REF NO.	PART NO.	DESCRIPTION	M.	H/V LOCATION
C333	4030023090	S.CER 0402B102K500CT	B	6.8/97.0	C462	4030023010	S.CER 0402B104K160CT	T	38.2/72.1
Eqv.	4030026210	S.CER MG15B102K500CT			Eqv.	4030026220	S.CER MG15B104K160CT		
C335	4030023670	S.CER 0603N330J500CT	T	12.9/46.4	C463	4030023010	S.CER 0402B104K160CT	T	26.2/72.1
C336	4030022860	S.CER 0402N470J500CT	T	10.5/42.2	Eqv.	4030026220	S.CER MG15B104K160CT		
C338	4030023670	S.CER 0603N330J500CT	T	18.6/44.4	C464	4030023010	S.CER 0402B104K160CT	T	44.5/71.7
C347	4030023010	S.CER 0402B104K160CT	B	36.5/76.7	Eqv.	4030026220	S.CER MG15B104K160CT		
Eqv.	4030026220	S.CER MG15B104K160CT			C466	4030023010	S.CER 0402B104K160CT	T	28.9/72.3
C349	4550007550	S.TAN F931V334MAABMA	B	24.9/41.1	Eqv.	4030026220	S.CER MG15B104K160CT		
Eqv.	4550009170	S.TAN 267M3502334MR			C467	4030023010	S.CER 0402B104K160CT	T	42.1/71.7
C350	4030022860	S.CER 0402N470J500CT	T	16.7/75.9	Eqv.	4030026220	S.CER MG15B104K160CT		
C351	4030022750	S.CER 0402N221J500CT	T	7.2/67.1	C468	4030023010	S.CER 0402B104K160CT	T	26.2/86.8
C352	4030023090	S.CER 0402B102K500CT	T	9.2/72.7	Eqv.	4030026220	S.CER MG15B104K160CT		
Eqv.	4030026210	S.CER MG15B102K500CT			C469	4030023010	S.CER 0402B104K160CT	B	26.7/84.2
C354	4030023090	S.CER 0402B102K500CT	B	36.2/61.6	Eqv.	4030026220	S.CER MG15B104K160CT		
Eqv.	4030026210	S.CER MG15B102K500CT			C470	4030023010	S.CER 0402B104K160CT	B	26.6/89.5
C355	4030021240	S.CER C1005 JB 1C 105K-T	B	30.8/38.8	Eqv.	4030026220	S.CER MG15B104K160CT		
C356	4030023010	S.CER 0402B104K160CT	B	40.1/72.5	C471	4030023010	S.CER 0402B104K160CT	B	33.7/90.8
Eqv.	4030026220	S.CER MG15B104K160CT			Eqv.	4030026220	S.CER MG15B104K160CT		
C357	4030022980	S.CER 0402B473K100CT	B	35.1/66.9	C472	4030023010	S.CER 0402B104K160CT	B	33.1/80.6
C361	4030026730	S.CER RF15N4R0B500CT	B	30.3/81.1	Eqv.	4030026220	S.CER MG15B104K160CT		
C364	4030026720	S.CER RF15N3R0B500CT	B	32.5/90.4	C473	4030022560	S.CER 0402N5R0B500CT	B	41.6/70.4
C365	4030026580	S.CER RF15N150J500CT	B	33.5/84.2	C474	4030022570	S.CER 0402N6R0C500CT	B	43.9/72.8
C372	4030023090	S.CER 0402B102K500CT	T	15.4/91.0	C475	4030022880	S.CER 0402N560J500CT	B	41.3/71.7
Eqv.	4030026210	S.CER MG15B102K500CT			C476	4030023090	S.CER 0402B102K500CT	B	26.8/80.2
C373	4030023090	S.CER 0402B102K500CT	T	11.1/66.7	Eqv.	4030026210	S.CER MG15B102K500CT		
Eqv.	4030026210	S.CER MG15B102K500CT			C477	4030023090	S.CER 0402B102K500CT	B	29.7/94.7
C375	4030022610	S.CER 0402N0R3B500CT	T	9.7/112.8	Eqv.	4030026210	S.CER MG15B102K500CT		
C376	4030023090	S.CER 0402B102K500CT	B	32.9/50.0	C478	4030023030	S.CER 0402B103K250CT	B	22.0/64.9
Eqv.	4030026210	S.CER MG15B102K500CT			Eqv.	4030026200	S.CER MG15B103K250CT		
C377	4030022620	S.CER 0402N0R5B500CT	T	10.2/49.3	C479	4030023030	S.CER 0402B103K250CT	B	24.9/62.8
C379	4030023330	S.CER 0603N4R0B500CT	T	16.8/43.8	Eqv.	4030026200	S.CER MG15B103K250CT		
C381	4030023090	S.CER 0402B102K500CT	B	36.2/62.8	C481	4030019560	S.CER GRM21BB31C106KE15L	B	9.6/109.5
Eqv.	4030026210	S.CER MG15B102K500CT			C484	4030023030	S.CER 0402B103K250CT	B	8.7/52.9
C383	4030023330	S.CER 0603N4R0B500CT	T	11.4/43.6	Eqv.	4030026200	S.CER MG15B103K250CT		
C384	4030021520	S.CER GRM31CB31H106KA12L	T	25.0/109.6	C485	4030023090	S.CER 0402B102K500CT	T	25.7/66.2
Eqv.	4030026370	S.CER CL31A106KBHNNPE			Eqv.	4030026210	S.CER MG15B102K500CT		
C385	4030021240	S.CER C1005 JB 1C 105K-T	T	21.6/106.1	C486	4030023090	S.CER 0402B102K500CT	T	26.7/66.2
C386	4030026740	S.CER RF15N5R0B500CT	T	11.7/41.2	Eqv.	4030026210	S.CER MG15B102K500CT		
C387	4030023090	S.CER 0402B102K500CT	B	28.4/41.5	C487	4030023090	S.CER 0402B102K500CT	T	27.7/66.2
Eqv.	4030026210	S.CER MG15B102K500CT			Eqv.	4030026210	S.CER MG15B102K500CT		
C388	4030023090	S.CER 0402B102K500CT	T	20.3/90.4	C488	4030019560	S.CER GRM21BB31C106KE15L	B	9.5/106.0
Eqv.	4030026210	S.CER MG15B102K500CT			C489	4030020000	S.CER C1005 JB 1A 105K-T	B	24.2/72.3
C389	4030026740	S.CER RF15N5R0B500CT	T	12.1/39.0	C490	4030023010	S.CER 0402B104K160CT	B	35.7/38.9
C390	4030023090	S.CER 0402B102K500CT	B	32.8/76.8	Eqv.	4030026220	S.CER MG15B104K160CT		
Eqv.	4030026210	S.CER MG15B102K500CT			C491	4030023090	S.CER 0402B102K500CT	B	31.5/57.5
C391	4030022900	S.CER 0402N680J500CT	B	26.5/76.4	Eqv.	4030026210	S.CER MG15B102K500CT		
C392	4030023090	S.CER 0402B102K500CT	B	23.6/75.2	C492	4030020450	S.CER C1005 JB 0J 475M-T	T	28.9/70.5
Eqv.	4030026210	S.CER MG15B102K500CT			C493	4030020450	S.CER C1005 JB 0J 475M-T	T	40.3/71.7
C393	4030020000	S.CER C1005 JB 1A 105K-T	B	24.7/76.4	C495	4030021520	S.CER GRM31CB31H106KA12L	T	19.6/82.7
C394	4030023030	S.CER 0402B103K250CT	B	23.8/76.4	Eqv.	4030026370	S.CER CL31A106KBHNNPE		
Eqv.	4030026200	S.CER MG15B103K250CT			C496	4030021520	S.CER GRM31CB31H106KA12L	T	21.3/107.7
C395	4030023090	S.CER 0402B102K500CT	B	15.9/54.2	Eqv.	4030026370	S.CER CL31A106KBHNNPE		
Eqv.	4030026210	S.CER MG15B102K500CT			C508	4030023090	S.CER 0402B102K500CT	T	14.4/41.4
C396	4030017630	S.CER C1005 CH 1H 120J-T	B	15.1/56.7	Eqv.	4030026210	S.CER MG15B102K500CT		
Eqv.	4030026570	S.CER RF15N120J500CT			C509	4030023090	S.CER 0402B102K500CT	T	13.9/38.5
C397	4030026580	S.CER RF15N150J500CT	B	16.2/60.5	Eqv.	4030026210	S.CER MG15B102K500CT		
C398	4030022860	S.CER 0402N470J500CT	B	42.1/74.1	C510	4030023090	S.CER 0402B102K500CT	B	26.6/45.7
C399	4030022650	S.CER 0402N110J500CT	B	42.8/75.6	Eqv.	4030026210	S.CER MG15B102K500CT		
C400	4030022640	S.CER 0402N101J500CT	B	41.2/74.1	C511	4030022640	S.CER 0402N101J500CT	B	29.4/40.4
Eqv.	4030026140	S.CER MG15N101J500CT			Eqv.	4030026140	S.CER MG15N101J500CT		
C401	4030026730	S.CER RF15N4R0B500CT	B	41.2/75.5	C512	4030024500	S.CER C1005 JB 1C 224K-T	B	30.3/40.4
C402	4030022880	S.CER 0402N560J500CT	B	40.3/74.1	C513	4030019560	S.CER GRM21BB31C106KE15L	B	27.6/38.7
C403	4030023090	S.CER 0402B102K500CT	B	33.0/43.9	C514	4030023010	S.CER 0402B104K160CT	B	33.9/44.3
Eqv.	4030026210	S.CER MG15B102K500CT			Eqv.	4030026220	S.CER MG15B104K160CT		
C405	4030023090	S.CER 0402B102K500CT	B	19.4/99.2	C515	4030023010	S.CER 0402B104K160CT	B	32.4/48.1
Eqv.	4030026210	S.CER MG15B102K500CT			Eqv.	4030026220	S.CER MG15B104K160CT		
C407	4030020450	S.CER C1005 JB 0J 475M-T	B	16.3/105.4	C516	4030019560	S.CER GRM21BB31C106KE15L	B	28.4/49.8
C418	4030023090	S.CER 0402B102K500CT	T	40.3/12.6	C517	4030023010	S.CER 0402B104K160CT	B	29.9/38.8
Eqv.	4030026210	S.CER MG15B102K500CT			Eqv.	4030026220	S.CER MG15B104K160CT		
C420	4030023090	S.CER 0402B102K500CT	T	37.3/104.8	C518	4030023090	S.CER 0402B102K500CT	B	26.3/50.7
Eqv.	4030026210	S.CER MG15B102K500CT			Eqv.	4030026210	S.CER MG15B102K500CT		
C429	4030022860	S.CER 0402N470J500CT	T	16.4/91.0	C519	4030023090	S.CER 0402B102K500CT	B	28.7/47.7
C430	4030021240	S.CER C1005 JB 1C 105K-T	B	22.7/78.8	Eqv.	4030026210	S.CER MG15B102K500CT		
C431	4030023090	S.CER 0402B102K500CT	T	37.2/16.9	C520	4030023090	S.CER 0402B102K500CT	B	15.5/42.4
Eqv.	4030026210	S.CER MG15B102K500CT			Eqv.	4030026210	S.CER MG15B102K500CT		
C432	4030023090	S.CER 0402B102K500CT	B	38.1/106.7	C521	4030023090	S.CER 0402B102K500CT	B	16.4/47.7
Eqv.	4030026210	S.CER MG15B102K500CT			Eqv.	4030026210	S.CER MG15B102K500CT		
C438	4030022630	S.CER 0402N100C500CT	B	32.9/41.4	C522	4030023090	S.CER 0402B102K500CT	T	19.5/50.7
C439	4030022640	S.CER 0402N101J500CT	B	43.7/69.2	Eqv.	4030026210	S.CER MG15B102K500CT		
Eqv.	4030026140	S.CER MG15N101J500CT			C523	4030023090	S.CER 0402B102K500CT	B	21.9/38.5
C440	4030023090	S.CER 0402B102K500CT	B	33.8/41.4	Eqv.	4030026210	S.CER MG15B102K500CT		
Eqv.	4030026210	S.CER MG15B102K500CT			C524	4030023090	S.CER 0402B102K500CT	B	21.5/37.3
C441	4030020000	S.CER C1005 JB 1A 105K-T	B	34.8/38.9	Eqv.	4030026210	S.CER MG15B102K500CT		
C443	4030023090	S.CER 0402B102K500CT	B	23.1/39.7	C525	4030023090	S.CER 0402B102K500CT	B	44.1/67.8
Eqv.	4030026210	S.CER MG15B102K500CT			Eqv.	4030026210	S.CER MG15B102K500CT		
C444	4030023010	S.CER 0402B104K160CT	B	35.4/46.5	C526	4030022630	S.CER 0402N100C500CT	B	42.4/67.8
Eqv.	4030026220	S.CER MG15B104K160CT			C527	4030021240	S.CER C1005 JB 1C 105K-T	B	40.5/65.4
C445	4030021240	S.CER C1005 JB 1C 105K-T	B	34.8/44.3	C528	4030023010	S.CER 0402B104K160CT	B	39.6/65.4
C446	4030023030	S.CER 0402B103K250CT	B	45.1/79.6	Eqv.	4030026220	S.CER MG15B104K160CT		
Eqv.	4030026200	S.CER MG15B103K250CT			C529	4030023010	S.CER 0402B104K160CT	B	44.5/64.6
C451	4030023010	S.CER 0402B104K160CT	B	24.4/81.3	Eqv.	4030026220	S.CER MG1		

The underlined parts have been updated from the addendum of the previous version, or from the original page.

[MAIN-1 UNIT] (for [#13], [#14], [#16], [#17], [#23], [#26], [#33], [#34], and [#36])

REF NO.	PART NO.	DESCRIPTION	M.	H/V LOCATION	REF NO.	PART NO.	DESCRIPTION	M.	H/V LOCATION
C536	4030019560	S.CER GRM21BB31C106KE15L	T	24.7/34.0	C588	4030022860	S.CER 0402N470J500CT	B	41.6/21.9
C537	4030023010	S.CER 0402B104K160CT	T	30.5/33.8	C589	4030021240	S.CER C1005 JB 1C 105K-T	B	39.1/22.5
Eqv.	4030026220	S.CER MG15B104K160CT	T		C590	4030023090	S.CER 0402B102K500CT	B	35.2/87.5
C538	4520000020	S.NIO NOJC227M006RWJV	T	30.3/24.2	Eqv.	4030026210	S.CER MG15B102K500CT		
C539	4030023090	S.CER 0402B102K500CT	B	41.3/96.4	C591	4030022640	S.CER 0402N101J500CT	B	36.9/88.1
Eqv.	4030026210	S.CER MG15B102K500CT			Eqv.	4030026140	S.CER MG15N101J500CT		
C541	4030021240	S.CER C1005 JB 1C 105K-T	B	34.8/27.6	C592	4030022640	S.CER 0402N101J500CT	B	40.1/96.7
C542	4030023010	S.CER 0402B104K160CT	B	34.5/23.2	Eqv.	4030026140	S.CER MG15N101J500CT		
Eqv.	4030026220	S.CER MG15B104K160CT			C593	4030023090	S.CER 0402B102K500CT	B	41.5/94.8
C543	4030023090	S.CER 0402B102K500CT	T	15.9/9.5	Eqv.	4030026210	S.CER MG15B102K500CT		
Eqv.	4030026210	S.CER MG15B102K500CT			C596	4030023090	S.CER 0402B102K500CT	T	11.7/10.7
C544	4030023090	S.CER 0402B102K500CT	T	13.0/6.6	Eqv.	4030026210	S.CER MG15B102K500CT		
Eqv.	4030026210	S.CER MG15B102K500CT			C597	4030023010	S.CER 0402B104K160CT	B	26.6/26.3
C548	4030022930	S.CER 0402N821J500CT	B	8.0/35.4	Eqv.	4030026220	S.CER MG15B104K160CT		
	4030022930	S.CER 0402N821J500CT	[#14]		C598	4030021240	S.CER C1005 JB 1C 105K-T	B	25.7/26.3
	4030022930	S.CER 0402N821J500CT	[#23]		C599	4030023090	S.CER 0402B102K500CT	T	23.4/118.8
	4030022930	S.CER 0402N821J500CT	[#34]		Eqv.	4030026210	S.CER MG15B102K500CT		
C549	4030020170	S.CER C1608 CH 1H 472J-T	B	5.6/31.1	C602	4030023090	S.CER 0402B102K500CT	T	21.2/120.6
	4030020170	S.CER C1608 CH 1H 472J-T	[#13]		Eqv.	4030026210	S.CER MG15B102K500CT		
	4030020170	S.CER C1608 CH 1H 472J-T	[#14]		C605	4030022640	S.CER 0402N101J500CT	T	28.2/123.0
	4030017810	S.CER C1608 CH 1H 102J-T	[#16]		Eqv.	4030026140	S.CER MG15N101J500CT		
	4030017810	S.CER C1608 CH 1H 102J-T	[#17]		C608	4030019560	S.CER GRM21BB31C106KE15L	B	21.2/29.9
	4030020170	S.CER C1608 CH 1H 472J-T	[#23]		C610	4030023090	S.CER 0402B102K500CT	T	23.0/97.1
	4030020170	S.CER C1608 CH 1H 472J-T	[#26]		Eqv.	4030026210	S.CER MG15B102K500CT		
	4030017810	S.CER C1608 CH 1H 102J-T	[#33]		C612	4030019560	S.CER GRM21BB31C106KE15L	T	27.8/91.6
	4030020170	S.CER C1608 CH 1H 472J-T	[#34]		C613	4030023090	S.CER 0402B102K500CT	T	22.1/100.3
C550	4030022850	S.CER 0402N391J500CT	B	8.7/33.2	Eqv.	4030026210	S.CER MG15B102K500CT		
	4030022710	S.CER 0402N181J500CT	[#13]		C614	4030023010	S.CER 0402B104K160CT	T	25.7/92.4
	4030022910	S.CER 0402N681J500CT	[#14]		Eqv.	4030026220	S.CER MG15B104K160CT		
	4030022910	S.CER 0402N681J500CT	[#17]		C615	4030023010	S.CER 0402B104K160CT	T	23.9/97.1
	4030022710	S.CER 0402N181J500CT	[#23]		Eqv.	4030026220	S.CER MG15B104K160CT		
	4030022910	S.CER 0402N681J500CT	[#26]		C616	4030023090	S.CER 0402B102K500CT	T	24.8/92.4
	4030022850	S.CER 0402N391J500CT	[#33]		Eqv.	4030026210	S.CER MG15B102K500CT		
	4030022710	S.CER 0402N181J500CT	[#34]		C622	4030023060	S.CER 0402B183K250CT	T	46.7/42.3
	4030022910	S.CER 0402N681J500CT	[#36]		C623	4030023060	S.CER 0402B183K250CT	T	46.7/40.7
C551	4030018620	S.CER C1608 CH 1H 222J-T	B	6.0/28.1	C624	4030023010	S.CER 0402B104K160CT	T	46.6/38.4
C552	4030022850	S.CER 0402N391J500CT	B	9.0/28.0	Eqv.	4030026220	S.CER MG15B104K160CT		
	4030022690	S.CER 0402N151J500CT	[#13]		C627	4030022970	S.CER 0402B393K100CT	B	10.8/9.2
	4030022820	S.CER 0402N331J500CT	[#14]		Eqv.	4030023010	S.CER 0402B104K160CT	[#13]	
	4030022820	S.CER 0402N331J500CT	[#16]		C627	4030026220	S.CER MG15B104K160CT	[#14]	
	4030022820	S.CER 0402N331J500CT	[#17]		Eqv.	4030023010	S.CER 0402B104K160CT	[#16]	
	4030022690	S.CER 0402N151J500CT	[#23]		Eqv.	4030026220	S.CER MG15B104K160CT	[#16]	
	4030022820	S.CER 0402N331J500CT	[#33]		C627	4030023010	S.CER 0402B104K160CT	[#17]	
	4030022710	S.CER 0402N181J500CT	[#34]		Eqv.	4030026220	S.CER MG15B104K160CT	[#17]	
	4030022910	S.CER 0402N681J500CT	[#36]		C627	4030023010	S.CER 0402B104K160CT	[#23]	
C553	4030019570	S.CER C1608 CH 1H 332J-T	B	5.6/19.4	Eqv.	4030026220	S.CER MG15B104K160CT	[#23]	
C554	4030022750	S.CER 0402N221J500CT	B	8.0/23.4	C627	4030023010	S.CER 0402B104K160CT	[#26]	
	4030022880	S.CER 0402N560J500CT	[#13]		Eqv.	4030026220	S.CER MG15B104K160CT	[#26]	
	4030022670	S.CER 0402N121J500CT	[#14]		C627	4030022970	S.CER 0402B393K100CT	[#33]	
	4030022670	S.CER 0402N121J500CT	[#16]		Eqv.	4030023010	S.CER 0402B104K160CT	[#33]	
	4030022670	S.CER 0402N121J500CT	[#17]		C627	4030022970	S.CER 0402B393K100CT	[#34]	
	4030022880	S.CER 0402N560J500CT	[#23]		Eqv.	4030026220	S.CER MG15B104K160CT	[#34]	
	4030022670	S.CER 0402N121J500CT	[#26]		C627	4030023010	S.CER 0402B104K160CT	[#36]	
	4030022750	S.CER 0402N221J500CT	[#33]		Eqv.	4030026220	S.CER MG15B104K160CT	[#36]	
	4030022880	S.CER 0402N560J500CT	[#34]		C628	4030023010	S.CER 0402B104K160CT	B	13.9/5.3
	4030022670	S.CER 0402N121J500CT	[#36]		Eqv.	4030026220	S.CER MG15B104K160CT		
C555	4030020160	S.CER C1608 CH 1H 103J-T	B	5.5/14.7	C629	4050000340	S.FEE NFM21PC224R1C3D	B	32.9/6.7
	4030020160	S.CER C1608 CH 1H 103J-T	[#13]		C631	4030026760	S.CER RF15N8R0C500CT	B	10.2/18.3
	4030020160	S.CER C1608 CH 1H 103J-T	[#14]		Eqv.	4030022560	S.CER 0402N5R0B500CT	[#13]	
	4030022350	S.CER C1608 CH 1H 822J-T	[#16]		C631	4030026760	S.CER RF15N8R0C500CT	[#14]	
	4030022350	S.CER C1608 CH 1H 822J-T	[#17]		Eqv.	4030022560	S.CER 0402N5R0B500CT	[#16]	
	4030020160	S.CER C1608 CH 1H 103J-T	[#23]		C631	4030022560	S.CER 0402N5R0B500CT	[#17]	
	4030022350	S.CER C1608 CH 1H 822J-T	[#26]		Eqv.	4030026760	S.CER RF15N8R0C500CT	[#17]	
	4030020160	S.CER C1608 CH 1H 103J-T	[#33]		C631	4030022560	S.CER 0402N5R0B500CT	[#23]	
	4030020160	S.CER C1608 CH 1H 103J-T	[#34]		Eqv.	4030026760	S.CER RF15N8R0C500CT	[#26]	
	4030022350	S.CER C1608 CH 1H 822J-T	[#36]		C631	4030022560	S.CER 0402N5R0B500CT	[#33]	
C556	4030022880	S.CER 0402N560J500CT	B	7.6/18.5	Eqv.	4030026760	S.CER RF15N8R0C500CT	[#34]	
	4030022630	S.CER 0402N100C500CT	[#13]		C632	4030022560	S.CER 0402N5R0B500CT	[#36]	
	4030022630	S.CER 0402N100C500CT	[#14]		Eqv.	4030026720	S.CER RF15N3R0B500CT	[#13]	
	4030022880	S.CER 0402N560J500CT	[#23]		C632	4030022720	S.CER 0402N1R5B500CT	B	7.6/17.6
	4030022630	S.CER 0402N100C500CT	[#33]		Eqv.	4030022810	S.CER 0402N330J500CT	[#14]	
	4030022930	S.CER 0402N821J500CT	[#34]		C632	4030022810	S.CER 0402N330J500CT	[#16]	
C557	4030022930	S.CER 0402N821J500CT	B	11.4/35.3	Eqv.	4030022810	S.CER 0402N330J500CT	[#17]	
C558	4030022930	S.CER 0402N821J500CT	B	13.0/31.7	C633	4030022720	S.CER 0402N1R5B500CT	[#23]	
C559	4030022690	S.CER 0402N151J500CT	B	10.5/33.2	Eqv.	4030022810	S.CER 0402N330J500CT	[#26]	
C560	4030020170	S.CER C1608 CH 1H 472J-T	B	13.7/27.4	C633	4030026720	S.CER RF15N3R0B500CT	B	33.6/27.6
C561	4030022870	S.CER 0402N471J500CT	B	11.2/28.3	Eqv.	4030022720	S.CER 0402N1R5B500CT	[#33]	
C562	4030020940	S.CER C1608 CH 1H 392J-T	B	14.1/22.1	C634	4030022810	S.CER 0402N330J500CT	[#34]	
C563	4030022640	S.CER 0402N101J500CT	B	12.1/23.2	Eqv.	4030022810	S.CER 0402N330J500CT	[#36]	
Eqv.	4030026140	S.CER MG15N101J500CT			C633	4030023010	S.CER 0402B104K160CT	B	11.1/18.7
C564	4030020160	S.CER C1608 CH 1H 103J-T	B	14.1/19.1	Eqv.	4030026220	S.CER MG15B104K160CT		
C565	4030026580	S.CER <u>RF15N150J500CT</u>	B	9.3/18.3	C634	4030023010	S.CER 0402B104K160CT	B	13.0/24.2
C566	4030021240	S.CER C1005 JB 1C 105K-T	T	41.5/35.4	Eqv.	4030026220	S.CER MG15B104K160CT		
C567	4030021240	S.CER C1005 JB 1C 105K-T	T	41.9/36.8	C635	4030023010	S.CER 0402B104K160CT	B	12.1/28.8
C568	4030021240	S.CER C1005 JB 1C 105K-T	T	40.9/25.9	Eqv.	4030026220	S.CER MG15B104K160CT		
C569	4030023010	S.CER 0402B104K160CT	T	42.6/26.5	C636	4030023010	S.CER 0402B104K160CT	B	13.1/15.0
Eqv.	4030026220	S.CER MG15B104K160CT			Eqv.	4030026220	S.CER MG15B104K160CT		
C570	4030023010	S.CER 0402B104K160CT	T	39.6/26.3	C637	4030023010	S.CER 0402B104K160CT	B	12.2/13.7
Eqv.	4030026220	S.CER MG15B104K160CT			Eqv.	4030026220	S.CER MG15B104K160CT		
C571	4030019560	S.CER GRM21BB31C106KE15L	T	35.0/37.1	C638	4030023010	S.CER 0402B104K160CT	B	25.5/57.0
C572	4030019560	S.CER GRM21BB31C106KE15L	T	37.6/34.9	Eqv.	4030026220	S.CER MG15B104K160CT		
C573	4030023090	S.CER 0402B102K500CT	T	9.1/21.3	C639	4030023090	S.CER 0402B102K500CT	B	40.6/108.4
Eqv.	4030026210	S.CER MG15B102K500CT			Eqv.	4030026210	S.CER MG15B102K500CT		
C574									

The underlined parts have been updated from the addendum of the previous version, or from the original page.

[MAIN-1 UNIT] (for [#13], [#14], [#16], [#17], [#23], [#26], [#33], [#34], and [#36])

REF NO.	PART NO.	DESCRIPTION	M.	H/V LOCATION	REF NO.	PART NO.	DESCRIPTION	M.	H/V LOCATION
C647	4030023010	S.CER 0402B104K160CT	T	28.1/89.8	EP3	6910014640	S.BEA MPZ2012S221A-T	T	39.3/14.4
Eqv.	4030026220	S.CER MG15B104K160CT			EP4	6910014640	S.BEA MPZ2012S221A-T	T	19.5/121.0
C648	4030023090	S.CER 0402B102K500CT	B	12.2/60.3	EP5	6910014730	S.BEA MPZ2012S331A-T	T	37.0/102.8
Eqv.	4030026210	S.CER MG15B102K500CT			EP6	6910014730	S.BEA MPZ2012S331A-T	B	40.2/110.9
C649	4030023090	S.CER 0402B102K500CT	B	10.2/61.7	EP7	6910014730	S.BEA MPZ2012S331A-T	B	41.8/106.3
Eqv.	4030026210	S.CER MG15B102K500CT			EP10	6910014730	S.BEA MPZ2012S331A-T	T	13.9/8.6
C650	4030023010	S.CER 0402B104K160CT	T	19.8/15.8	EP11	6910014730	S.BEA MPZ2012S331A-T	B	39.7/103.7
Eqv.	4030026220	S.CER MG15B104K160CT			EP13	6910020610	S.BEA BLM15BD102SN1D	T	15.7/47.5
C651	4030023010	S.CER 0402B104K160CT	T	13.8/21.2	EP14	6910020610	S.BEA BLM15BD102SN1D	T	12.5/47.6
Eqv.	4030026220	S.CER MG15B104K160CT			EP15	6910014640	S.BEA MPZ2012S221A-T	T	39.7/18.7
C652	4030023010	S.CER 0402B104K160CT	T	11.7/15.2	EP16	6910014640	S.BEA MPZ2012S221A-T	T	18.5/89.0
Eqv.	4030026220	S.CER MG15B104K160CT			EP18	6910020610	S.BEA BLM15BD102SN1D	T	27.7/56.8
C653	4030021240	S.CER C1005 JB 1C 105K-T	T	22.0/97.1	EP19	6910020610	S.BEA BLM15BD102SN1D	T	23.5/54.5
C656	4030023090	S.CER 0402B102K500CT	T	15.6/7.8	EP20	6910020610	S.BEA BLM15BD102SN1D	T	26.6/42.9
Eqv.	4030026210	S.CER MG15B102K500CT			EP21	6910020610	S.BEA BLM15BD102SN1D	T	32.6/34.2
C660	4030023090	S.CER 0402B102K500CT	B	6.6/67.2	EP23	6910014730	S.BEA MPZ2012S331A-T	T	12.2/8.6
Eqv.	4030026210	S.CER MG15B102K500CT			EP24	6910014730	S.BEA MPZ2012S331A-T	B	42.4/92.3
C661	4030023010	S.CER 0402B104K160CT	T	40.6/46.4	EP25	6910020610	S.BEA BLM15BD102SN1D	B	36.5/87.2
Eqv.	4030026220	S.CER MG15B104K160CT			EP26	6910020610	S.BEA BLM15BD102SN1D	B	40.1/95.7
C662	4030023010	S.CER 0402B104K160CT	T	41.2/44.9	EP28	6910020610	S.BEA BLM15BD102SN1D	T	26.9/110.8
Eqv.	4030026220	S.CER MG15B104K160CT			EP29	6910014640	S.BEA MPZ2012S221A-T	T	30.3/11.0
C663	4030023010	S.CER 0402B104K160CT	T	33.2/85.4	EP30	6910014640	S.BEA MPZ2012S221A-T	B	34.9/10.9
Eqv.	4030026220	S.CER MG15B104K160CT			EP31	6910020610	S.BEA BLM15BD102SN1D	T	19.5/111.2
C664	4030023010	S.CER 0402B104K160CT	B	36.5/41.7					
Eqv.	4030026220	S.CER MG15B104K160CT							
C665	4030023070	S.CER 0402B223K250CT	B	20.7/75.2					
C666	4030023010	S.CER 0402B104K160CT	T	34.3/22.5					
Eqv.	4030026220	S.CER MG15B104K160CT							
C667	4030023090	S.CER 0402B102K500CT	B	14.0/15.0					
Eqv.	4030026210	S.CER MG15B102K500CT							
C668	4030023090	S.CER 0402B102K500CT	B	12.0/18.7					
Eqv.	4030026210	S.CER MG15B102K500CT							
C669	4030023090	S.CER 0402B102K500CT	B	13.9/24.2					
Eqv.	4030026210	S.CER MG15B102K500CT							
C670	4030023090	S.CER 0402B102K500CT	B	13.0/29.4					
Eqv.	4030026210	S.CER MG15B102K500CT							
C671	4030022640	S.CER 0402N101J500CT	B	6.0/21.5					
Eqv.	4030026140	S.CER MG15N101J500CT							
C672	4030022640	S.CER 0402N101J500CT	B	6.9/16.1					
Eqv.	4030026140	S.CER MG15N101J500CT							
C673	4030023090	S.CER 0402B102K500CT	T	42.4/45.6					
Eqv.	4030026210	S.CER MG15B102K500CT							
C674	4030023090	S.CER 0402B102K500CT	T	16.1/22.4					
Eqv.	4030026210	S.CER MG15B102K500CT							
C675	4030023090	S.CER 0402B102K500CT	T	6.5/15.7					
Eqv.	4030026210	S.CER MG15B102K500CT							
C676	4030023090	S.CER 0402B102K500CT	T	19.3/79.5					
Eqv.	4030026210	S.CER MG15B102K500CT							
C677	4030019560	S.CER GRM21BB31C106KE15L	[#13] B	24.5/68.6					
	4030019560	S.CER GRM21BB31C106KE15L	[#14]						
	4030019560	S.CER GRM21BB31C106KE15L	[#16]						
	4030019560	S.CER GRM21BB31C106KE15L	[#17]						
C680	4030023010	S.CER 0402B104K160CT	[#13] T	32.7/86.6					
Eqv.	4030026220	S.CER MG15B104K160CT	[#13]						
C680	4030023010	S.CER 0402B104K160CT	[#14]						
Eqv.	4030026220	S.CER MG15B104K160CT	[#14]						
C680	4030023010	S.CER 0402B104K160CT	[#16]						
Eqv.	4030026220	S.CER MG15B104K160CT	[#16]						
C680	4030023010	S.CER 0402B104K160CT	[#17]						
Eqv.	4030026220	S.CER MG15B104K160CT	[#17]						
C681	4030023010	S.CER 0402B104K160CT	[#13] T	35.2/81.9					
Eqv.	4030026220	S.CER MG15B104K160CT	[#13]						
C681	4030023010	S.CER 0402B104K160CT	[#14]						
Eqv.	4030026220	S.CER MG15B104K160CT	[#14]						
C681	4030023010	S.CER 0402B104K160CT	[#16]						
Eqv.	4030026220	S.CER MG15B104K160CT	[#16]						
C681	4030023010	S.CER 0402B104K160CT	[#17]						
Eqv.	4030026220	S.CER MG15B104K160CT	[#17]						
C682	4030023010	S.CER 0402B104K160CT	T	30.1/71.4					
Eqv.	4030026220	S.CER MG15B104K160CT							
C683	4030023090	S.CER 0402B102K500CT	B	43.1/94.4					
Eqv.	4030026210	S.CER MG15B102K500CT							
C684	4030023090	S.CER 0402B102K500CT	B	38.9/95.7					
Eqv.	4030026210	S.CER MG15B102K500CT							
C694	4030023090	S.CER 0402B102K500CT	T	36.7/58.4					
Eqv.	4030026210	S.CER MG15B102K500CT							
C704	4030023090	S.CER 0402B102K500CT	T	40.1/58.6					
Eqv.	4030026210	S.CER MG15B102K500CT							
C706	4030023090	S.CER 0402B102K500CT	T	38.3/58.6					
Eqv.	4030026210	S.CER MG15B102K500CT							
C712	4030023820	S.CER 0603B104K250CT	T	7.1/19.1					
Eqv.	4030026170	S.CER MG18B104K250CT							
C713	4550008850	S.TAN F931C227MNC	T	25.8/29.5					
Eqv.	4550009420	S.TAN T491D227M016AT							
Eqv.	4550009740	S.TAN TCJD227M016R0050							
C715	4030023010	S.CER 0402B104K160CT	T	47.2/43.6					
Eqv.	4030026220	S.CER MG15B104K160CT							
J1	6450000870	CON HEC2711-01-020							
J2	6450000131	CON HSJ1102-018540							
J4	6510021901	S.CON BM02B-ASRS-TF(LF)(SN)	T	13.0/4.0					
J5	6450001060	CON HSJ1493-01-010							
J6	6510031230	S.CON 50P4.5-JMCS-G-TF(N)(1)	T	35.7/54.3					
MC1	7700003060	MIC F6027AP-SBC-462							
S1	2260003640	SWI SKHLLCA010							

Eqv.= This component is equivalent to the REF No. component listed above, and may be substituted on parts orders and repairs.

M.=Mounted side (T: Mounted on the Top side, B: Mounted on the Bottom side)
H/V LOCATION= Shows mounting location on the PCB.

The underlined parts have been updated from the addendum of the previous version, or from the original page.

[MAIN-2 UNIT] (for [#43], [#44], [#46], [#47], [#53], [#56], [#63], [#64], [#66], and [#68])

Table with columns: REF NO., PART NO., DESCRIPTION, M., H/V LOCATION. Contains two main sections of parts lists, one on the left and one on the right, separated by a vertical line. The right section has a narrower column for descriptions.

Eqv.= This component is equivalent to the REF No. component listed above, and may be substituted on parts orders and repairs. M.=Mounted side (T: Mounted on the Top side, B: Mounted on the Bottom side) H/V LOCATION= Shows mounting location on the PCB.

The underlined parts have been updated from the addendum of the previous version, or from the original page.

[MAIN-2 UNIT] (for [#43], [#44], [#46], [#47], [#53], [#56], [#63], [#64], [#66], and [#68])

Table with 4 columns: REF NO., PART NO., DESCRIPTION, M., H/V LOCATION. It lists various components and their specifications, including part numbers, descriptions, and mounting locations.

Eqv.= This component is equivalent to the REF No. component listed above, and may be substituted on parts orders and repairs.

M.=Mounted side (T: Mounted on the Top side, B: Mounted on the Bottom side) H/V LOCATION= Shows mounting location on the PCB.

The underlined parts have been updated from the addendum of the previous version, or from the original page.

[MAIN-2 UNIT] (for [#43], [#44], [#46], [#47], [#53], [#56], [#63], [#64], [#66], and [#68])

Table with columns: REF NO., PART NO., DESCRIPTION, M., H/V LOCATION. Lists components for main-2 unit, including R503, R504, R505, etc.

Table with columns: REF NO., PART NO., DESCRIPTION, M., H/V LOCATION. Lists components for main-2 unit, including R652, R653, R654, etc.

Eqv.= This component is equivalent to the REF No. component listed above, and may be substituted on parts orders and repairs.

M.=Mounted side (T: Mounted on the Top side, B: Mounted on the Bottom side) H/V LOCATION= Shows mounting location on the PCB.

The underlined parts have been updated from the addendum of the previous version, or from the original page.

[MAIN-2 UNIT] (for [#43], [#44], [#46], [#47], [#53], [#56], [#63], [#64], [#66], and [#68])

Table with columns: REF NO., PART NO., DESCRIPTION, M., H/V LOCATION, REF NO., PART NO., DESCRIPTION, M., H/V LOCATION. Contains two columns of component data with various part numbers and descriptions.

Eqv.= This component is equivalent to the REF No. component listed above, and may be substituted on parts orders and repairs.

M.=Mounted side (T: Mounted on the Top side, B: Mounted on the Bottom side) H/V LOCATION= Shows mounting location on the PCB.

The underlined parts have been updated from the addendum of the previous version, or from the original page.

[MAIN-2 UNIT] (for [#43], [#44], [#46], [#47], [#53], [#56], [#63], [#64], [#66], and [#68])

Table with 5 columns: REF NO., PART NO., DESCRIPTION, M., H/V LOCATION. It lists various electronic components and their specifications across two main sections.

Eqv.= This component is equivalent to the REF No. component listed above, and may be substituted on parts orders and repairs.

M.=Mounted side (T: Mounted on the Top side, B: Mounted on the Bottom side) H/V LOCATION= Shows mounting location on the PCB.

The underlined parts have been updated from the addendum of the previous version, or from the original page.

[MAIN-2 UNIT] (for [#43], [#44], [#46], [#47], [#53], [#56], [#63], [#64], [#66], and [#68])

REF NO.	PART NO.	DESCRIPTION	M.	H/V LOCATION	REF NO.	PART NO.	DESCRIPTION	M.	H/V LOCATION								
C631	4030026760	S.CER RF15N8R0C500CT	[#43]	B	10.2/18.3	C680	4030023010	S.CER	0402B104K160CT	[#43]	T	32.7/86.6					
	4030026760	S.CER RF15N8R0C500CT	[#44]			C680	4030026220	S.CER	MG15B104K160CT	[#43]							
	4030026740	S.CER RF15N5R0B500CT	[#46]			C680	4030023010	S.CER	0402B104K160CT	[#44]							
	4030026740	S.CER RF15N5R0B500CT	[#47]			Eqv.	4030026220	S.CER	MG15B104K160CT	[#44]							
	4030026760	S.CER RF15N8R0C500CT	[#53]			C680	4030023010	S.CER	0402B104K160CT	[#46]							
	4030026740	S.CER RF15N5R0B500CT	[#56]			Eqv.	4030026220	S.CER	MG15B104K160CT	[#46]							
	4030026760	S.CER RF15N8R0C500CT	[#63]			C680	4030023010	S.CER	0402B104K160CT	[#47]							
	4030026760	S.CER RF15N8R0C500CT	[#64]			Eqv.	4030026220	S.CER	MG15B104K160CT	[#47]							
	4030026740	S.CER RF15N5R0B500CT	[#66]			C681	4030023010	S.CER	0402B104K160CT	[#43]							
	4030026740	S.CER RF15N5R0B500CT	[#68]			Eqv.	4030026220	S.CER	MG15B104K160CT	[#43]							
	C632	4030026720	S.CER RF15N3R0B500CT			[#43]	B	7.6/17.6	C681	4030023010			S.CER	0402B104K160CT	[#44]	T	35.2/81.9
		4030022720	S.CER 0402N1R5B500CT			[#44]			C681	4030026220			S.CER	MG15B104K160CT	[#44]		
4030022810		S.CER 0402N330J500CT	[#46]	Eqv.	4030023010	S.CER			0402B104K160CT	[#46]							
4030022810		S.CER 0402N330J500CT	[#47]	C681	4030026220	S.CER			MG15B104K160CT	[#46]							
4030022720		S.CER 0402N1R5B500CT	[#53]	Eqv.	4030023010	S.CER			0402B104K160CT	[#47]							
4030022810		S.CER 0402N330J500CT	[#56]	C681	4030026220	S.CER			MG15B104K160CT	[#47]							
4030026720		S.CER RF15N3R0B500CT	[#63]	Eqv.	4030023010	S.CER			0402B104K160CT	[#47]							
4030022720		S.CER 0402N1R5B500CT	[#64]	C682	4030023010	S.CER			0402B104K160CT	T							
4030022810		S.CER 0402N330J500CT	[#66]	Eqv.	4030026220	S.CER			MG15B104K160CT	T							
4030022810		S.CER 0402N330J500CT	[#68]	C683	4030023090	S.CER			0402B102K500CT	B							
4030023010		S.CER 0402B104K160CT		Eqv.	4030026210	S.CER			MG15B102K500CT	B							
Eqv.		4030026220	S.CER	MG15B104K160CT		4030023090			S.CER	0402B102K500CT	B						
C634	4030023010	S.CER 0402B104K160CT		B	13.0/24.2	C684	4030023090	S.CER	0402B102K500CT		T	36.7/58.4					
	4030026220	S.CER	MG15B104K160CT				Eqv.	4030026210	S.CER	MG15B102K500CT							
	4030023010	S.CER	0402B104K160CT				C694	4030023090	S.CER	0402B102K500CT			T				
	4030026220	S.CER	MG15B104K160CT				Eqv.	4030026210	S.CER	MG15B102K500CT			T				
	4030023010	S.CER	0402B104K160CT				C704	4030023090	S.CER	0402B102K500CT			T				
	4030026220	S.CER	MG15B104K160CT				Eqv.	4030026210	S.CER	MG15B102K500CT			T				
	4030023010	S.CER	0402B104K160CT				C706	4030023090	S.CER	0402B102K500CT			T				
	4030026220	S.CER	MG15B104K160CT				Eqv.	4030026210	S.CER	MG15B102K500CT			T				
	4030023010	S.CER	0402B104K160CT				C712	4030023820	S.CER	0603B104K250CT			T				
	4030026220	S.CER	MG15B104K160CT				Eqv.	4030026170	S.CER	MG18B104K250CT			T				
	4030023010	S.CER	0402B104K160CT				C713	4550008850	S.TAN	F931C227MNC			T				
	4030026220	S.CER	MG15B104K160CT				Eqv.	4550009420	S.TAN	T491D227M016AT			T				
4030023090	S.CER	0402B102K500CT		Eqv.	4550009740	S.TAN	TCJD227M016R0050	T									
4030026210	S.CER	MG15B102K500CT		C715	4030023010	S.CER	0402B104K160CT	T									
4030023090	S.CER	0402B102K500CT		Eqv.	4030026220	S.CER	MG15B104K160CT	T									
4030026210	S.CER	MG15B102K500CT		J1	6450002850	CON	LD-0211-1.3										
4030023010	S.CER	0402B104K160CT		J2	6450003040	CON	C1FYJ0-A00-R										
4030026220	S.CER	MG15B104K160CT		J4	6510021901	S.CON	BM02B-ASRS-TF(LF)(SN)	T									
4030023010	S.CER	0402B104K160CT		J5	6450002930	CON	HTJ-035-21ABP	T									
4030026220	S.CER	MG15B104K160CT		J6	6510031230	S.CON	50P4.5-JMCS-G-TF(N)(1)	T									
4030023200	S.CER	0402B471K500CT		MC1	7700003060	MIC	F6027AP-SBC-462										
4030023010	S.CER	0402B104K160CT		S1	2260003640	SWI	SKHLLCA010										
4030026220	S.CER	MG15B104K160CT		EP3	6910014640	S.BEA	MPZ2012S221A-T	T									
4030023010	S.CER	0402B104K160CT		EP4	6910014640	S.BEA	MPZ2012S221A-T	T									
4030026220	S.CER	MG15B104K160CT		EP5	6910014730	S.BEA	MPZ2012S331A-T	T									
4030023200	S.CER	0402B471K500CT		EP6	6910014730	S.BEA	MPZ2012S331A-T	B									
4030023010	S.CER	0402B104K160CT		EP7	6910014730	S.BEA	MPZ2012S331A-T	B									
4030026220	S.CER	MG15B104K160CT		EP10	6910014730	S.BEA	MPZ2012S331A-T	T									
4030023010	S.CER	0402B104K160CT		EP11	6910014730	S.BEA	MPZ2012S331A-T	B									
4030026220	S.CER	MG15B104K160CT		EP13	6910020610	S.BEA	BLM15BD102SN1D	T									
4030021240	S.CER	C1005 JB 1C 105K-T		EP14	6910020610	S.BEA	BLM15BD102SN1D	T									
4030023090	S.CER	0402B102K500CT		EP15	6910014640	S.BEA	MPZ2012S221A-T	T									
4030026210	S.CER	MG15B102K500CT		EP16	6910014640	S.BEA	MPZ2012S221A-T	T									
4030023090	S.CER	0402B102K500CT		EP18	6910020610	S.BEA	BLM15BD102SN1D	T									
4030026210	S.CER	MG15B102K500CT		EP21	6910020610	S.BEA	BLM15BD102SN1D	T									
4030023010	S.CER	0402B104K160CT		EP23	6910014730	S.BEA	MPZ2012S331A-T	T									
4030026220	S.CER	MG15B104K160CT		EP24	6910014730	S.BEA	MPZ2012S331A-T	B									
4030023010	S.CER	0402B104K160CT		EP25	6910020610	S.BEA	BLM15BD102SN1D	B									
4030026220	S.CER	MG15B104K160CT		EP26	6910020610	S.BEA	BLM15BD102SN1D	B									
4030023010	S.CER	0402B104K160CT		EP28	6910020610	S.BEA	BLM15BD102SN1D	T									
4030026220	S.CER	MG15B104K160CT		EP29	6910014640	S.BEA	MPZ2012S221A-T	T									
4030023010	S.CER	0402B104K160CT		EP30	6910014640	S.BEA	MPZ2012S221A-T	B									
4030026220	S.CER	MG15B104K160CT		EP31	6910020610	S.BEA	BLM15BD102SN1D	T									
4030023070	S.CER	0402B23K250CT															
4030023010	S.CER	0402B104K160CT															
4030026220	S.CER	MG15B104K160CT															
4030023090	S.CER	0402B102K500CT															
4030026210	S.CER	MG15B102K500CT															
4030023090	S.CER	0402B102K500CT															
4030026210	S.CER	MG15B102K500CT															
4030023090	S.CER	0402B102K500CT															
4030026210	S.CER	MG15B102K500CT															
4030023090	S.CER	0402B102K500CT															
4030026210	S.CER	MG15B102K500CT															
4030023090	S.CER	0402B102K500CT															
4030026210	S.CER	MG15B102K500CT															
4030023090	S.CER	0402B102K500CT															
4030026210	S.CER	MG15B102K500CT															
4030019560	S.CER	GRM21BB31C106KE15L	[#43]	B	24.5/68.6	C677	4030019560	S.CER	GRM21BB31C106KE15L	[#43]							
4030019560	S.CER	GRM21BB31C106KE15L	[#44]														
4030019560	S.CER	GRM21BB31C106KE15L	[#46]														
4030019560	S.CER	GRM21BB31C106KE15L	[#47]														

Eqv.= This component is equivalent to the REF No. component listed above, and may be substituted on parts orders and repairs.

M.=Mounted side (T: Mounted on the Top side, B: Mounted on the Bottom side)
H/V LOCATION= Shows mounting location on the PCB.

SECTION 6 MECHANICAL PARTS

The underlined parts have been updated from the addendum of the previous version, or from the original page.

[CHASSIS UNIT]

REF NO.	PART NO.	DESCRIPTION	QTY.
J1	<u>6510027691</u>	BNC-R170 (A)-1	1
SP1	2510002150	C36N07M-7	1
W1	8900009640	OPC-963	1
EP1	3310005090	GNBA-A13A	[#13] 1
	3310005090	GNBA-A13A	[#14] 1
	3310005090	GNBA-A13A	[#16] 1
	3310005090	GNBA-A13A	[#17] 1
	3310005090	GNBA-A13A	[#43] 1
	3310005090	GNBA-A13A	[#44] 1
	3310005090	GNBA-A13A	[#46] 1
	3310005090	GNBA-A13A	[#47] 1
EP2	8940000082	3699 KEY P.C.B.-2	1
MP1	8010024120	3699 CHASSIS	1
MP2	8210032970	3699 FRONT PANEL ASSEMBLY	[#13] 1
	8210032970	3699 FRONT PANEL ASSEMBLY	[#14] 1
	8210032970	3699 FRONT PANEL ASSEMBLY	[#16] 1
	8210032970	3699 FRONT PANEL ASSEMBLY	[#17] 1
	8210032960	3699 FRONT PANEL (A) ASSEMBLY	[#23] 1
	8210032960	3699 FRONT PANEL (A) ASSEMBLY	[#26] 1
	8210032960	3699 FRONT PANEL (A) ASSEMBLY	[#33] 1
	8210032960	3699 FRONT PANEL (A) ASSEMBLY	[#34] 1
	8210032960	3699 FRONT PANEL (A) ASSEMBLY	[#36] 1
	8210032970	3699 FRONT PANEL ASSEMBLY	[#43] 1
	8210032970	3699 FRONT PANEL ASSEMBLY	[#44] 1
	8210032970	3699 FRONT PANEL ASSEMBLY	[#46] 1
	8210032970	3699 FRONT PANEL ASSEMBLY	[#47] 1
	8210032960	3699 FRONT PANEL (A) ASSEMBLY	[#53] 1
	8210032960	3699 FRONT PANEL (A) ASSEMBLY	[#56] 1
	8210032960	3699 FRONT PANEL (A) ASSEMBLY	[#63] 1
	8210032960	3699 FRONT PANEL (A) ASSEMBLY	[#64] 1
	8210032960	3699 FRONT PANEL (A) ASSEMBLY	[#66] 1
	8210032960	3699 FRONT PANEL (A) ASSEMBLY	[#68] 1
MP5	8310091150	3699 WINDOW PLATE	1
MP6	8610016330	KNOB N-449	1
MP7	8610016340	KNOB N-450	1
MP10	8930096800	3699 JACK CAP (KOB)	1
MP11	8930096810	3699 DC CAP	1
MP12	8930096820	3699 MAIN SEAL (SHJ)	1
MP13	8930096830	3699 MIC RUBBER (TOP)	1
MP14	8930096840	3699 CONTACT RUBBER (TOP)	1
MP15	8930098760	INSULATION SHEET (OP)	[#13] 1
	8930098760	INSULATION SHEET (OP)	[#14] 1
	8930098760	INSULATION SHEET (OP)	[#16] 1
	8930098760	INSULATION SHEET (OP)	[#17] 1
	8930098760	INSULATION SHEET (OP)	[#43] 1
	8930098760	INSULATION SHEET (OP)	[#44] 1
	8930098760	INSULATION SHEET (OP)	[#46] 1
	8930098760	INSULATION SHEET (OP)	[#47] 1
MP16	8930096850	3699 WINDOW SHEET	1
MP18	8930083690	3322 GPS SPONGE	[#13] 1
	8930083690	3322 GPS SPONGE	[#14] 1
	8930083690	3322 GPS SPONGE	[#16] 1
	8930083690	3322 GPS SPONGE	[#17] 1
	8930083690	3322 GPS SPONGE	[#43] 1
	8930083690	3322 GPS SPONGE	[#44] 1
	8930083690	3322 GPS SPONGE	[#46] 1
	8930083690	3322 GPS SPONGE	[#47] 1
MP20	8830004260	3776 ANT NUT	1
MP21	8830003900	VR NUT (AF)	1
MP23	8930074350	O-RING (BW) (KSK)	1
MP24	8930088050	O-RING (CS) (TOP)	1
MP25	8930090100	O-RING (CX) (TOT)	1
MP26	8850003421	SEALING WASHER (AA)-1 (TOT)	1
MP27	8930098360	3699 VOL RUBBER (TOP)	1
MP28	8930084870	3384 REAR SHEET	1
MP29	<u>8930088671</u>	3521 VENT SHEET-1	1
MP30	8930068980	2905 VENT SHEET	1
MP32	8930083700	DOUBLE SIDE TAPE (BM)	[#13] 1
	8930083700	DOUBLE SIDE TAPE (BM)	[#14] 1
	8930083700	DOUBLE SIDE TAPE (BM)	[#16] 1
	8930083700	DOUBLE SIDE TAPE (BM)	[#17] 1
	8930083700	DOUBLE SIDE TAPE (BM)	[#43] 1
	8930083700	DOUBLE SIDE TAPE (BM)	[#44] 1
	8930083700	DOUBLE SIDE TAPE (BM)	[#46] 1
	8930083700	DOUBLE SIDE TAPE (BM)	[#47] 1
MP34	8810011050	BT O M2 x 3 NI-ZC3	11
MP35	8810009181	BT M2 x 5 NI-ZC3	2
MP36	8810009511	PHBT M2 x 4 NI-ZC3 (3.6-4.0)	1
MP37	8810008971	BT M2 x 3.5 NI-ZC3	6
MP38	8810010850	PHBT B0 M2 x 8 SUS SSBC	2
MP39	8810011830	TAPPING SCREW TRUS B0 2 x 4 SUS SSBC	1
MP40	8850003250	PLAIN WASHER (AU)	1

[CHASSIS UNIT]

REF NO.	PART NO.	DESCRIPTION	QTY.
MP41	8950009300	3766 T-KEY (C) (YTP)	[#13] 1
	8950009300	3766 T-KEY (C) (YTP)	[#14] 1
	8950009290	3766 T-KEY (B) (YTP)	[#16] 1
	8950009290	3766 T-KEY (B) (YTP)	[#17] 1
	8950009320	3766 T-KEY (E) (YTP)	[#23] 1
	8950009310	3766 T-KEY (D) (YTP)	[#26] 1
	8950009320	3766 T-KEY (E) (YTP)	[#33] 1
	8950009320	3766 T-KEY (E) (YTP)	[#34] 1
	8950009310	3766 T-KEY (D) (YTP)	[#36] 1
	8950009300	3766 T-KEY (C) (YTP)	[#43] 1
	8950009300	3766 T-KEY (C) (YTP)	[#44] 1
	8950009290	3766 T-KEY (B) (YTP)	[#46] 1
	8950009290	3766 T-KEY (B) (YTP)	[#47] 1
	8950009320	3766 T-KEY (E) (YTP)	[#53] 1
	8950009310	3766 T-KEY (D) (YTP)	[#56] 1
	8950009320	3766 T-KEY (E) (YTP)	[#63] 1
	8950009320	3766 T-KEY (E) (YTP)	[#64] 1
	8950009310	3766 T-KEY (D) (YTP)	[#66] 1
	<u>8950009310</u>	3766 T-KEY (D) (YTP)	[#68] 1
MP42	8930097220	3699 SP HOLDER	1
MP43	8930097830	3699 SPONGE	2
MP44	8930098420	SPONGE (PK)	2
MP45	8930098420	SPONGE (PK)	1
MP46	8930098430	SPONGE (PL)	3
MP47	8930098410	SPONGE (PJ)	1
MP49	8930098420	SPONGE (PK)	2

[LOGIC-1 UNIT]

REF NO.	PART NO.	DESCRIPTION	QTY.
J1*	6510030220	50RF-JMCS-G-1B-TF (N) (LF) (SN)	1
J2*	6510031390	15FXVL-RSM1-GAN-TF-1 (HF)	1
J3*	6510023480	AYU1-1P-02676-120-TF	[#13] 1
	6510023480	AYU1-1P-02676-120-TF	[#14] 1
	6510023480	AYU1-1P-02676-120-TF	[#16] 1
	6510023480	AYU1-1P-02676-120-TF	[#17] 1
	6510023480	AYU1-1P-02676-120-TF	[#43] 1
	6510023480	AYU1-1P-02676-120-TF	[#44] 1
	6510023480	AYU1-1P-02676-120-TF	[#46] 1
	6510023480	AYU1-1P-02676-120-TF	[#47] 1
J4*	6510031380	31FXVL-RSM1-GAN-TF-1 (HF)	1
DS5	5030004360	TM128160D1CIWUGND	1
S23*	2260003320	SKRTLAE010	1
S24*	2260003320	SKRTLAE010	1
S25*	2260003320	SKRTLAE010	1
MP1*	8510022120	3699 VCO CASE	[#13] 1
	8510022120	3699 VCO CASE	[#14] 1
	8510022120	3699 VCO CASE	[#16] 1
	8510022120	3699 VCO CASE	[#17] 1
	8510022120	3699 VCO CASE	[#43] 1
	8510022120	3699 VCO CASE	[#44] 1
	8510022120	3699 VCO CASE	[#46] 1
	8510022120	3699 VCO CASE	[#47] 1
MP2	8930096860	3699 WHITE SHEET	1
MP3	8930096870	3699 LCD FILTER	1
MP4	8930094680	DOUBLE SIDE TAPE (CC)	2
MP5	8210032890	3699 REFLECTOR	1
MP6	8510022280	3699 CPU SHIELD	1
MP7	8930097820	3699 LCD HOLDER	1
MP8	8930083700	DOUBLE SIDE TAPE (BM)	1

*: Refer to "BOARD LAYOUTS" for the location.

Screw abbreviations A, B0, BT: Self-tapping PH: Pan head BS: Brass NI: Nickel ZU: Zinc SUS: Stainless

The underlined parts have been updated from the addendum of the previous version, or from the original page.

[MAIN-1 UNIT] (for [#13], [#14], [#16], [#17], [#23], [#26], [#33], [#34], and [#36])

REF NO.	PART NO.	DESCRIPTION	QTY.
J1*	6450000870	HEC2711-01-020	1
J2*	6450000131	HSJ1102-018540	1
J4*	6510021901	BM02B-ASRS-TF (LF) (SN)	1
J5	6450001060	HSJ1493-01-010	1
J6*	6510031230	50P4.5-JMCS-G-TF (N) (1)	1
MC1	7700003060	F6027AP-SBC-462	1
S1	2260003640	SKHLLCA010	1
MP1*	8410003040	3699 PA HEATSINK	1
MP3*	8510022120	3699 VCO CASE	1
MP5	8950009230	3699 CONTACT SPRING	1
MP10	8930097700	3699 JACK SHEET	1
MP11	8510022270	3699 ANT SHIELD	1
MP12	8510022260	3699 PA CASE	1
MP20	8930070582	SHIELD SPONGE (BA)-2	1
MP21	8930072062	SHIELD SPONGE (BU)-2	1
MP22	8930085112	SHIELD SPONGE (CX)-2	1
MP23	8930058510	INSULATION SHEETHC	1

[MAIN-2 UNIT] (for [#43], [#44], [#46], [#47], [#53], [#56], [#63], [#64], [#66], and [#68])

REF NO.	PART NO.	DESCRIPTION	QTY.
J1*	6450002850	LD-0211-1.3	1
J2*	6450003040	C1FYJ0-A00-R	1
J4*	6510021901	BM02B-ASRS-TF (LF) (SN)	1
J5	6450002930	HTJ-035-21ABP	1
J6*	6510031230	50P4.5-JMCS-G-TF (N) (1)	1
MC1	7700003060	F6027AP-SBC-462	1
S1	2260003640	SKHLLCA010	1
MP1*	8410003040	3699 PA HEATSINK	1
MP3*	8510022120	3699 VCO CASE	1
MP5	8950009230	3699 CONTACT SPRING	1
MP10	8930097700	3699 JACK SHEET	1
MP11	8510022270	3699 ANT SHIELD	1
MP12	8510022260	3699 PA CASE	1
MP20	8930070582	SHIELD SPONGE (BA)-2	1
MP21	8930072062	SHIELD SPONGE (BU)-2	1
MP22	8930085112	SHIELD SPONGE (CX)-2	1
MP23	8930058510	INSULATION SHEETHC	1

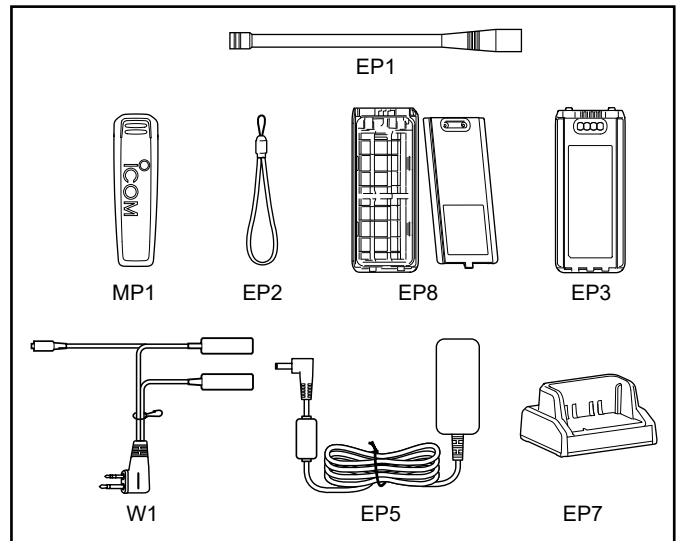
[SUPPLIED ACCESSORIES]

REF NO.	PART NO.	DESCRIPTION	QTY.
W1	-	OPC-2379†	[#13] 1
	-	OPC-2379†	[#14] 1
	-	OPC-2379†	[#16] 1
	-	OPC-2379†	[#23] 1
	-	OPC-2379†	[#26] 1
	-	OPC-2379†	[#36] 1
	-	OPC-2379†	[#43] 1
	-	OPC-2379†	[#44] 1
	-	OPC-2379†	[#46] 1
	-	OPC-2379†	[#53] 1
	-	OPC-2379†	[#56] 1
EP1	3310002130	FA-B02AR (125)	1
EP2	6910028081	BLACK NYLON STRAP-1	1
EP3	-	BP-288†	[#13] 1
	-	BP-288†	[#14] 1
	-	BP-288†	[#16] 1
	-	BP-288†	[#17] 1
	-	BP-288†	[#23] 1
	-	BP-288†	[#26] 1
	-	BP-288†	[#33] 1
	-	BP-288†	[#34] 1
	-	BP-288†	[#43] 1
	-	BP-288†	[#44] 1
	-	BP-288†	[#46] 1
	-	BP-288†	[#47] 1
	-	BP-288†	[#53] 1
	-	BP-288†	[#56] 1
-	BP-288†	[#63] 1	
-	BP-288†	[#64] 1	
-	BP-288†	[#68] 1	

[SUPPLIED ACCESSORIES]

REF NO.	PART NO.	DESCRIPTION	QTY.	
EP5	-	BC-123SE†	[#13] 1	
	-	BC-123SV†	[#14] 1	
	-	BC-123SA†	[#16] 1	
	-	BC-123SE†	[#17] 1	
	-	BC-123SE†	[#23] 1	
	-	BC-123SA†	[#26] 1	
	-	BC-123SE†	[#33] 1	
	-	BC-123SV†	[#34] 1	
	-	BC-123SE†	[#43] 1	
	-	BC-123SV†	[#44] 1	
	-	BC-123SA†	[#46] 1	
	-	BC-123SE†	[#47] 1	
	-	BC-123SE†	[#53] 1	
	-	BC-123SA†	[#56] 1	
	-	BC-123SE†	[#63] 1	
	-	BC-123SV†	[#64] 1	
	EP7	-	BC-224†	[#13] 1
		-	BC-224†	[#14] 1
		-	BC-224†	[#16] 1
		-	BC-224†	[#17] 1
-		BC-224†	[#23] 1	
-		BC-224†	[#26] 1	
-		BC-224†	[#33] 1	
-		BC-224†	[#34] 1	
-		BC-224†	[#43] 1	
-		BC-224†	[#44] 1	
-		BC-224†	[#46] 1	
-		BC-224†	[#47] 1	
-		BC-224†	[#53] 1	
-		BC-224†	[#56] 1	
EP8	-	BP-289†	[#63] 1	
	-	BP-289†	[#64] 1	
	-	BP-289†	[#68] 1	
	-	BP-289†	[#13] 1	
	-	BP-289†	[#14] 1	
	-	BP-289†	[#16] 1	
	-	BP-289†	[#23] 1	
	-	BP-289†	[#26] 1	
	-	BP-289†	[#36] 1	
	-	BP-289†	[#43] 1	
MP1	-	MB-133†	[#44] 1	
	-	MB-133†	[#46] 1	
	-	MB-133†	[#47] 1	
	-	MB-133†	[#53] 1	
	-	MB-133†	[#56] 1	
	-	MB-133†	[#66] 1	

†Sold as an option.



*: Refer to "BOARD LAYOUTS" for the location.

Screw abbreviations A, B0, BT: Self-tapping PH: Pan head BS: Brass NI: Nickel ZU: Zinc SUS: Stainless

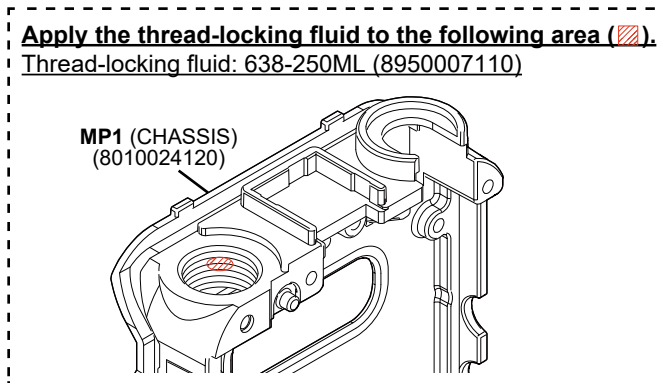
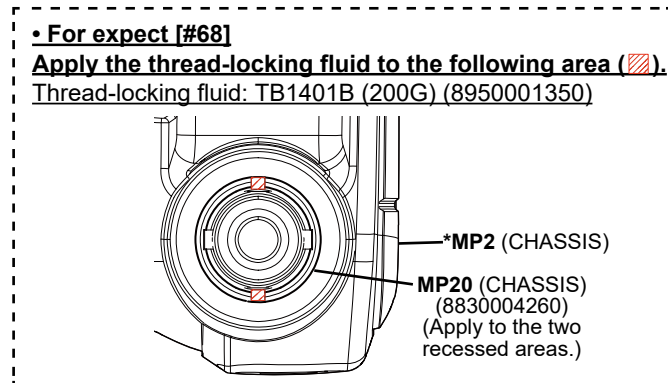
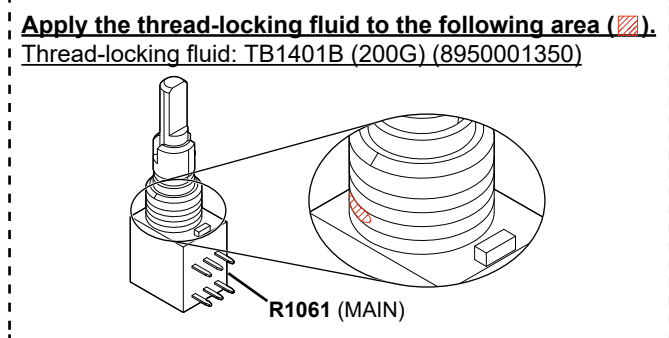
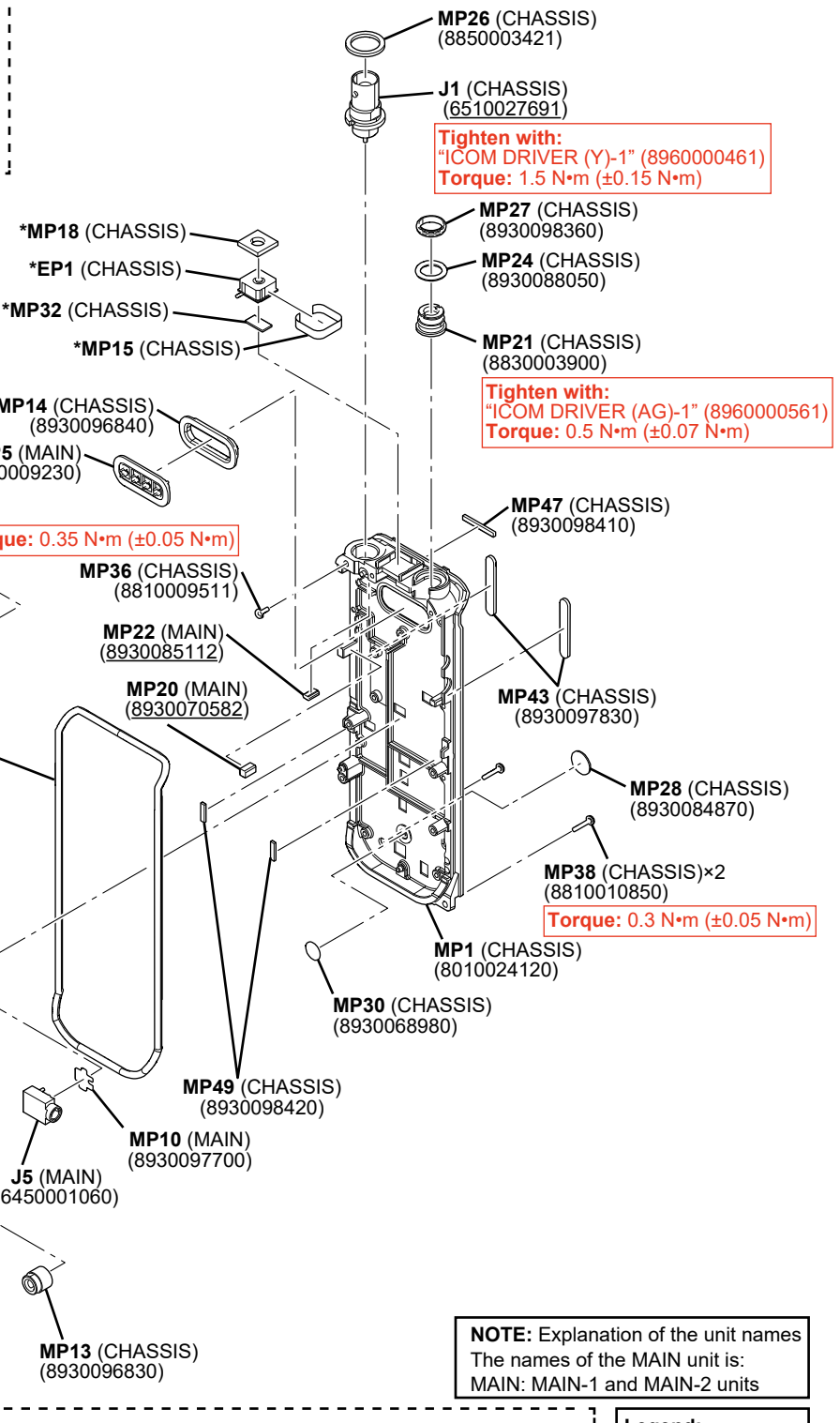
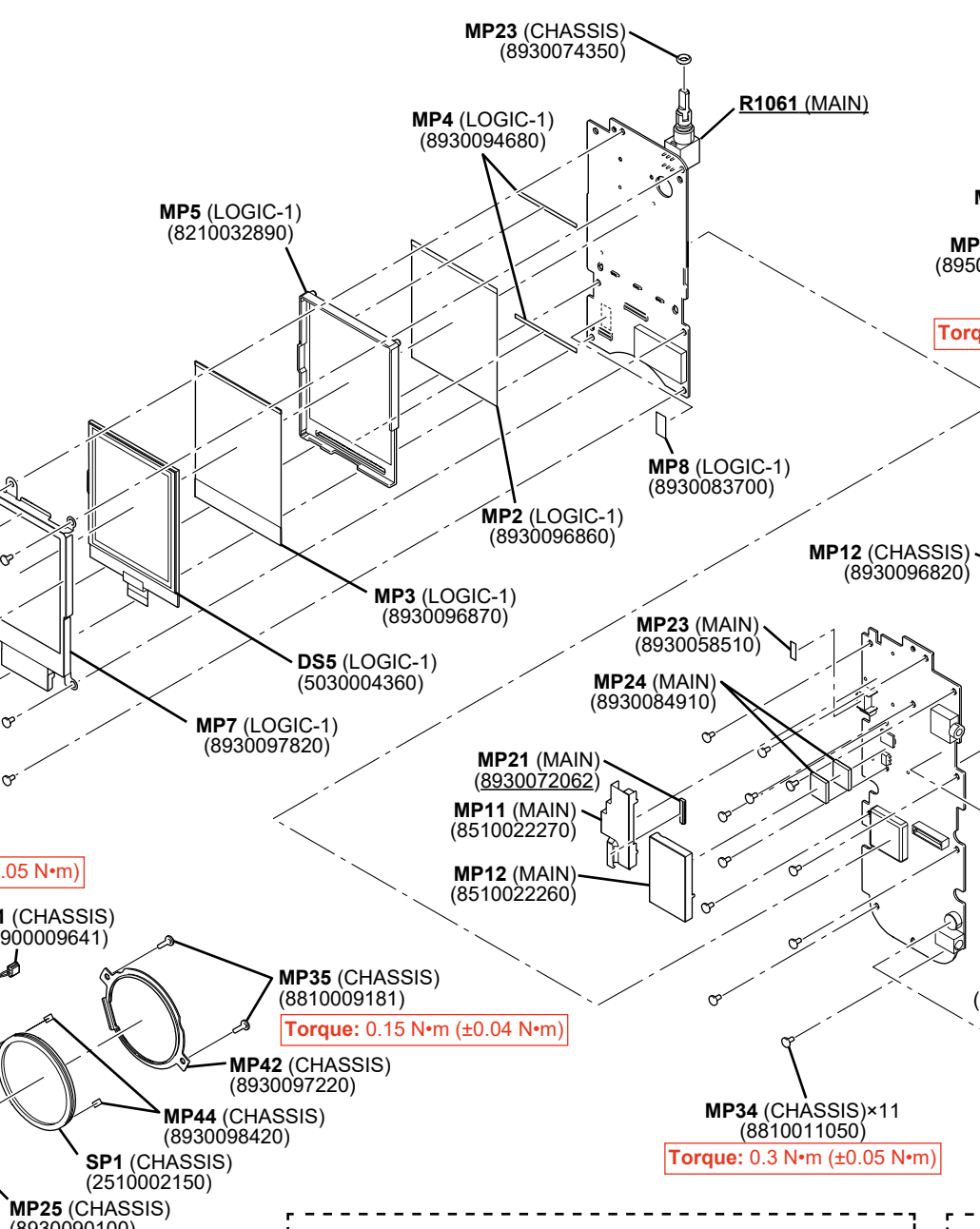
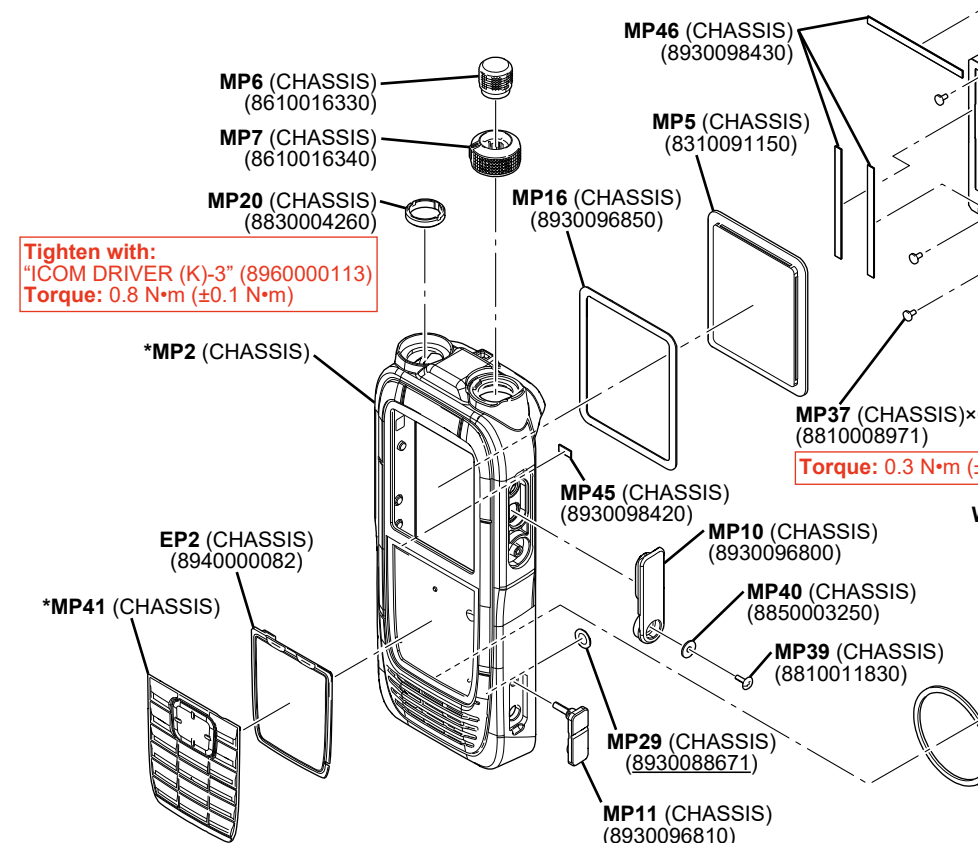
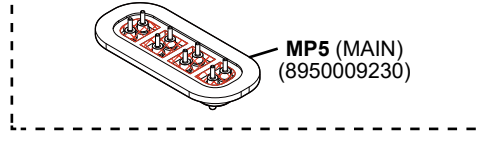
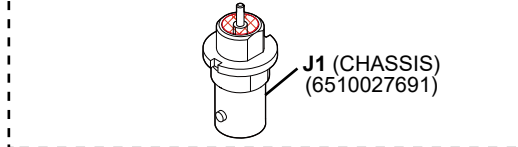
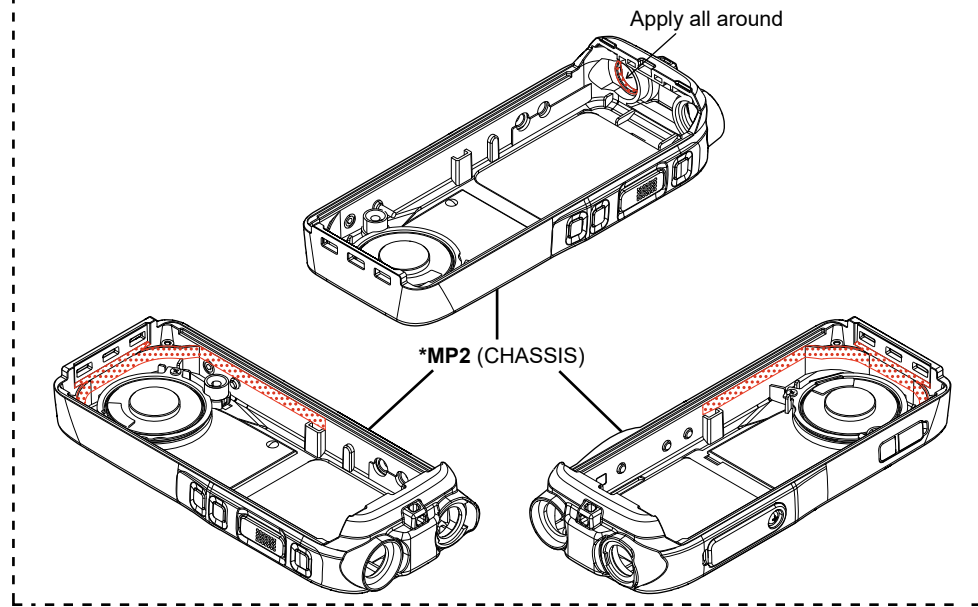
The underlined parts have been updated from the addendum of the previous version, or from the original page.

• Exploded view

Apply the grease to the following area of the front panel
Grease: G501 (80G) SHINETSU (8950002750)

Apply the glue to the following area (X).
Glue: KONISHI Bond (SL320W) (8950009140)

Apply the glue to the following area (X).
Glue: TB1224G (95G) (8950005581)



NOTE: Explanation of the unit names
The names of the MAIN unit is:
MAIN: MAIN-1 and MAIN-2 units

Legend:

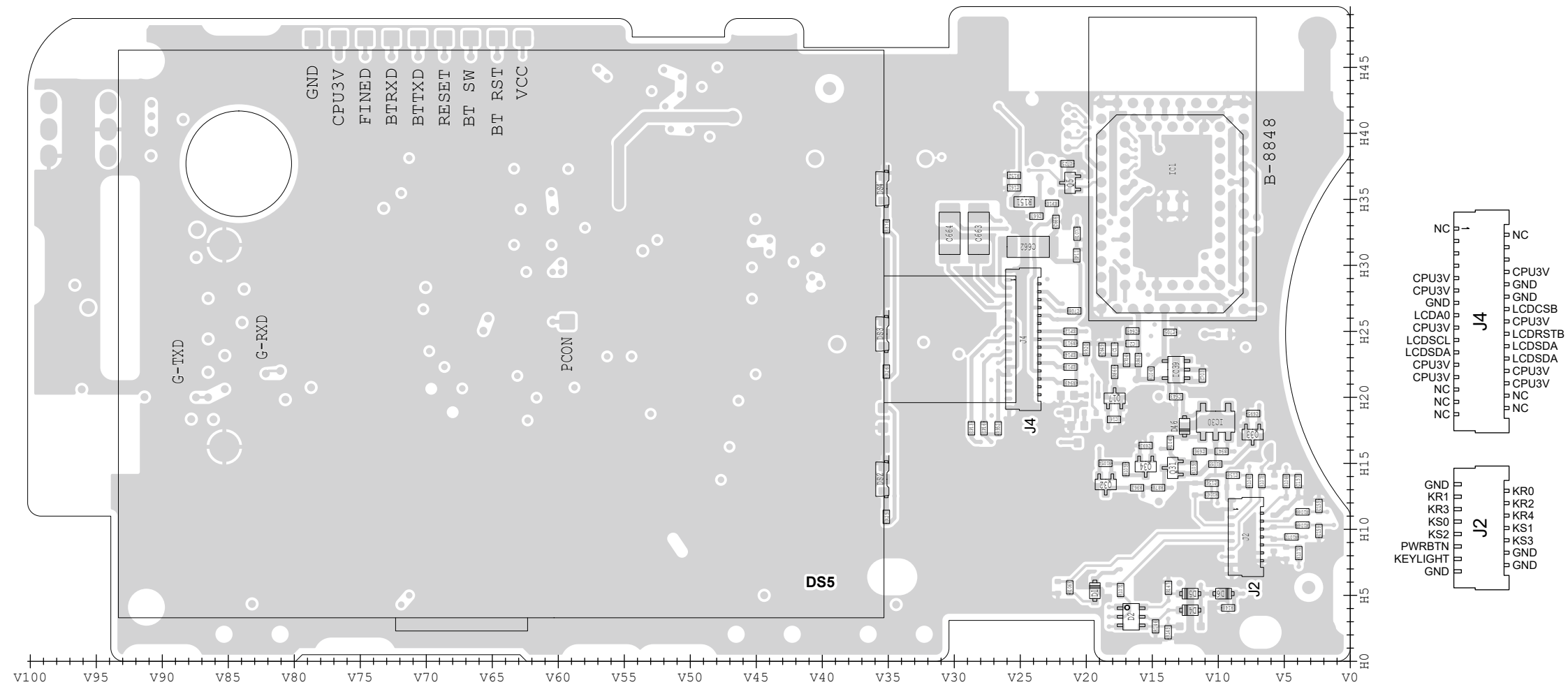
Ref. No.	Unit Name
MP1 (CHASSIS)	(1234567890)
Parts No.	

*Refer to the Mechanical Parts list.

SECTION 7 BOARD LAYOUT

The underlined parts have been updated from the addendum of the previous version, or from the original page.

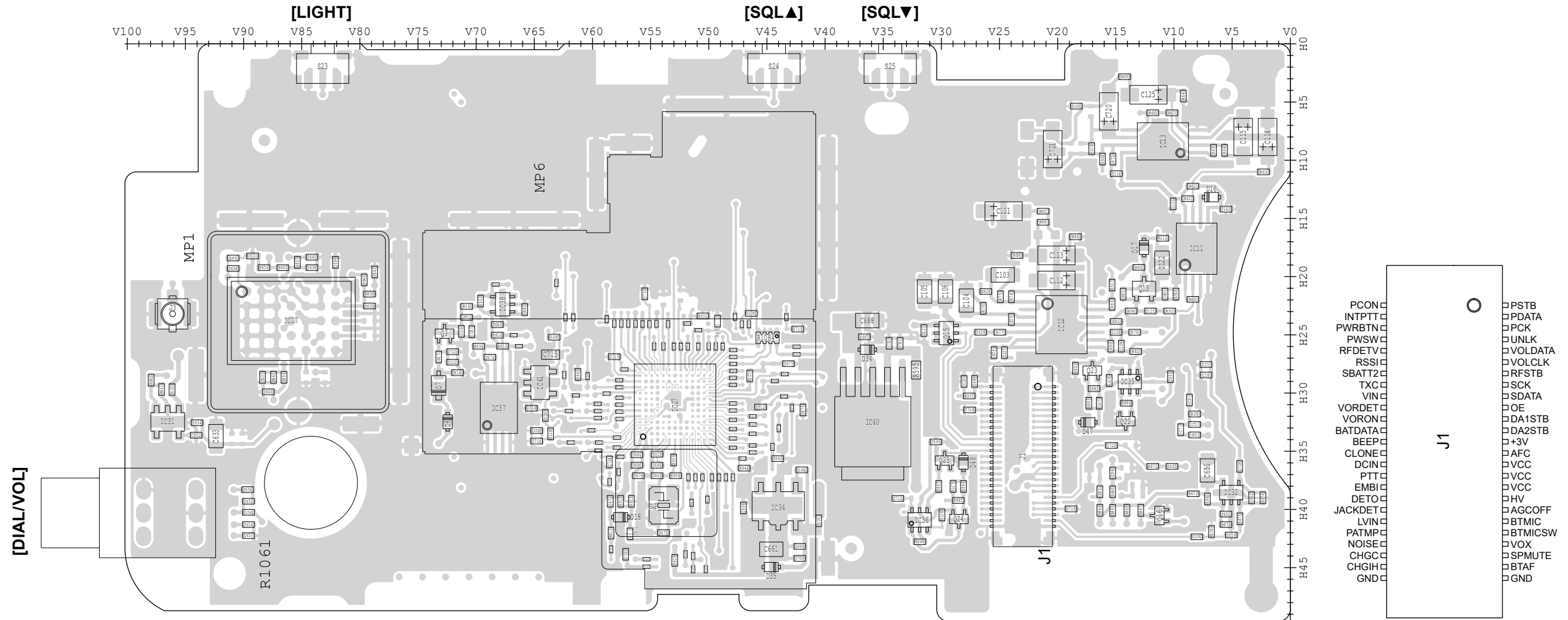
• LOGIC-1 UNIT (B-8848: Top view)



NOTE: Some parts may not be mounted on the PCB, depending on the transceiver version. Refer to the PARTS LIST for the mounted parts. The scale along the PCB indicates the corresponding "H/V LOCATION" on the parts list.

The underlined parts have been updated from the addendum of the previous version, or from the original page.

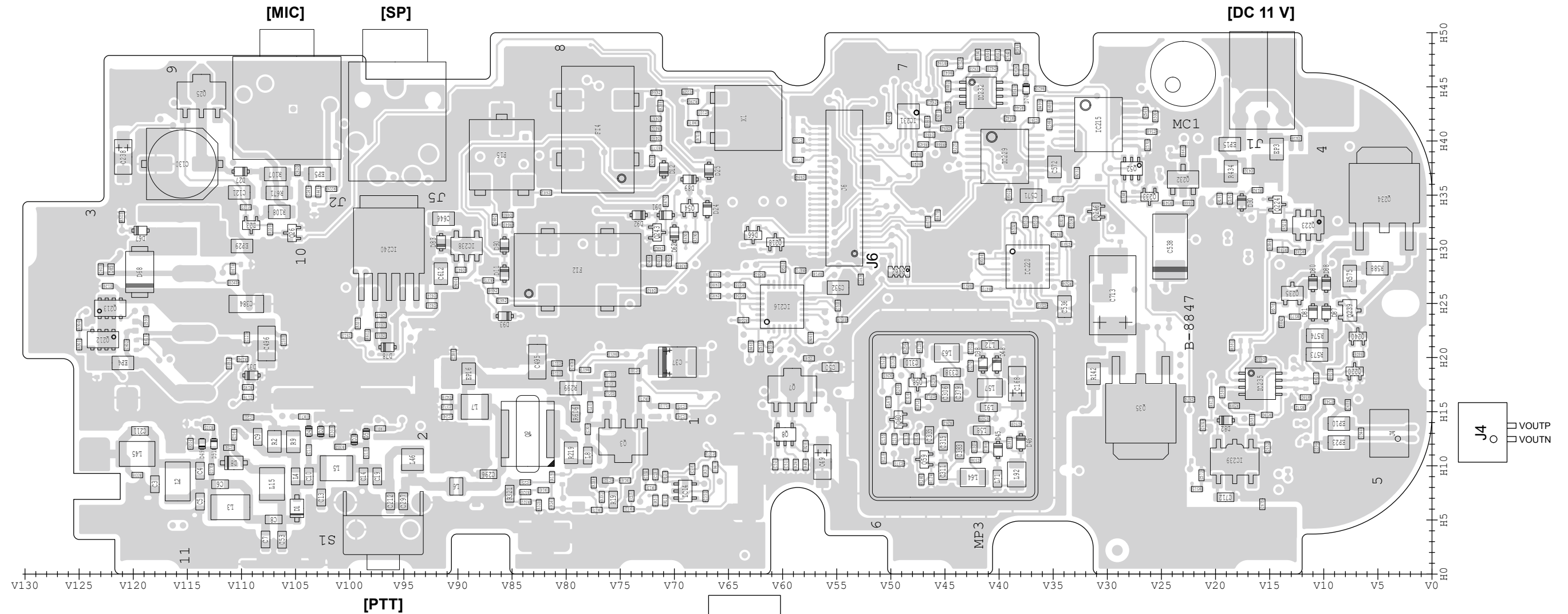
• LOGIC-1 UNIT (B-8848: Bottom view)



NOTE: Some parts may not be mounted on the PCB, depending on the transceiver version. Refer to the PARTS LIST for the mounted parts. The scale along the PCB indicates the corresponding "H/V LOCATION" on the parts list.

The underlined parts have been updated from the addendum of the previous version, or from the original page.

- MAIN-1 UNIT (B-8847: for [#13], [#14], [#16], [#17], [#23], [#26], [#33], [#34], and [#36])
(Top view)

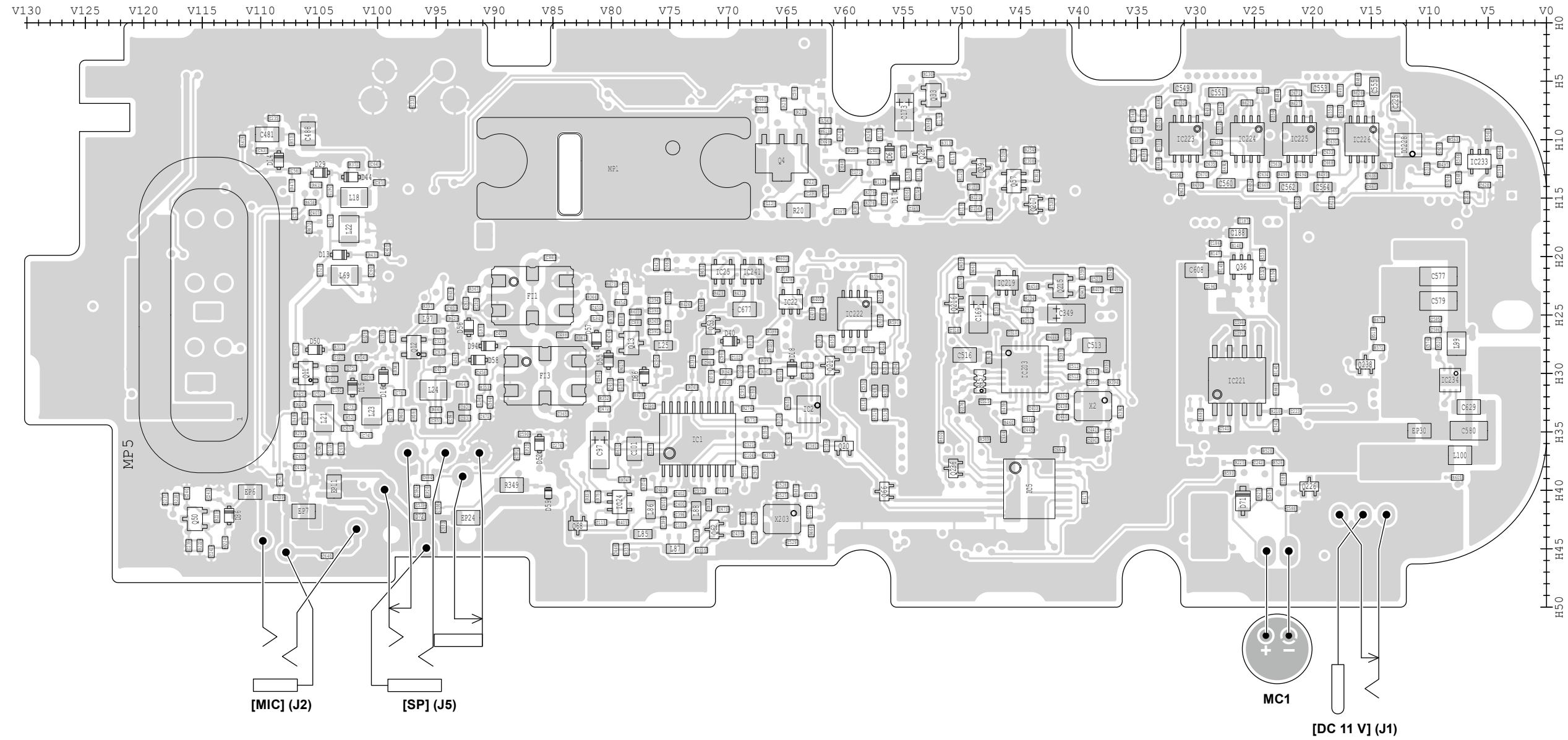


GND	GND
CHGIH	BTAF
CHGC	SPMUTE
NOISE	VOX
PATMP	BTMICSW
LVIN	BTMIC
JACKDET	AGCOFF
DETO	HV
EMBI	VCC
PTT	VCC
DCIN	VCC
CLONE	AFC
BEEP	+3V
BATDATA	DA2STB
VORON	DA1STB
VORDET	OE
VIN	SDATA
TXC	SCK
SBATT2	RFSTB
RSSI	VOLCLK
RFDETV	VOLDATA
PWSW	UNLK
PWRBTN	PCK
INTPTT	PDATA
PCON	PSTB

NOTE: Some parts may not be mounted on the PCB, depending on the transceiver version. Refer to the PARTS LIST for the mounted parts. The scale along the PCB indicates the corresponding "H/V LOCATION" on the parts list.

The underlined parts have been updated from the addendum of the previous version, or from the original page.

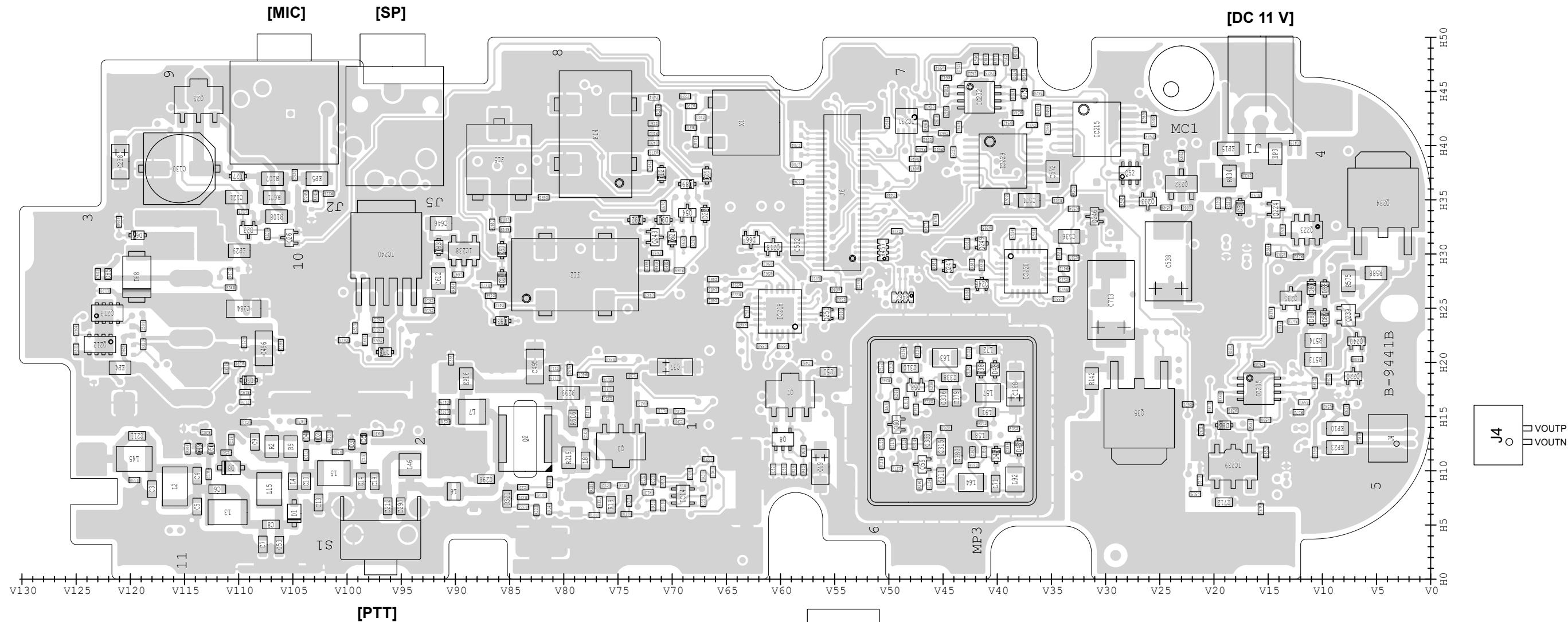
• MAIN-1 UNIT (B-8847: for [#13], [#14], [#16], [#17], [#23], [#26], [#33], [#34], and [#36])
(Bottom view)



NOTE: Some parts may not be mounted on the PCB, depending on the transceiver version.
Refer to the PARTS LIST for the mounted parts.
The scale along the PCB indicates the corresponding "H/V LOCATION" on the parts list.

The underlined parts have been updated from the addendum of the previous version, or from the original page.

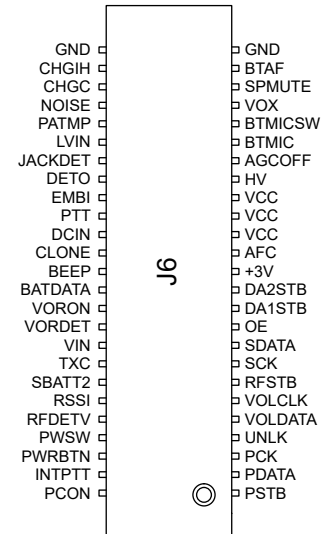
- MAIN-2 UNIT (B-9441B: for [#43], [#44], [#46], [#47], [#53], [#56], [#63], [#64], [#66], and [#68])
(Top view)



The serial numbers of transceivers that use the PCB (B-9441B).

The serial numbers may change, depending on the transceiver's production plan.

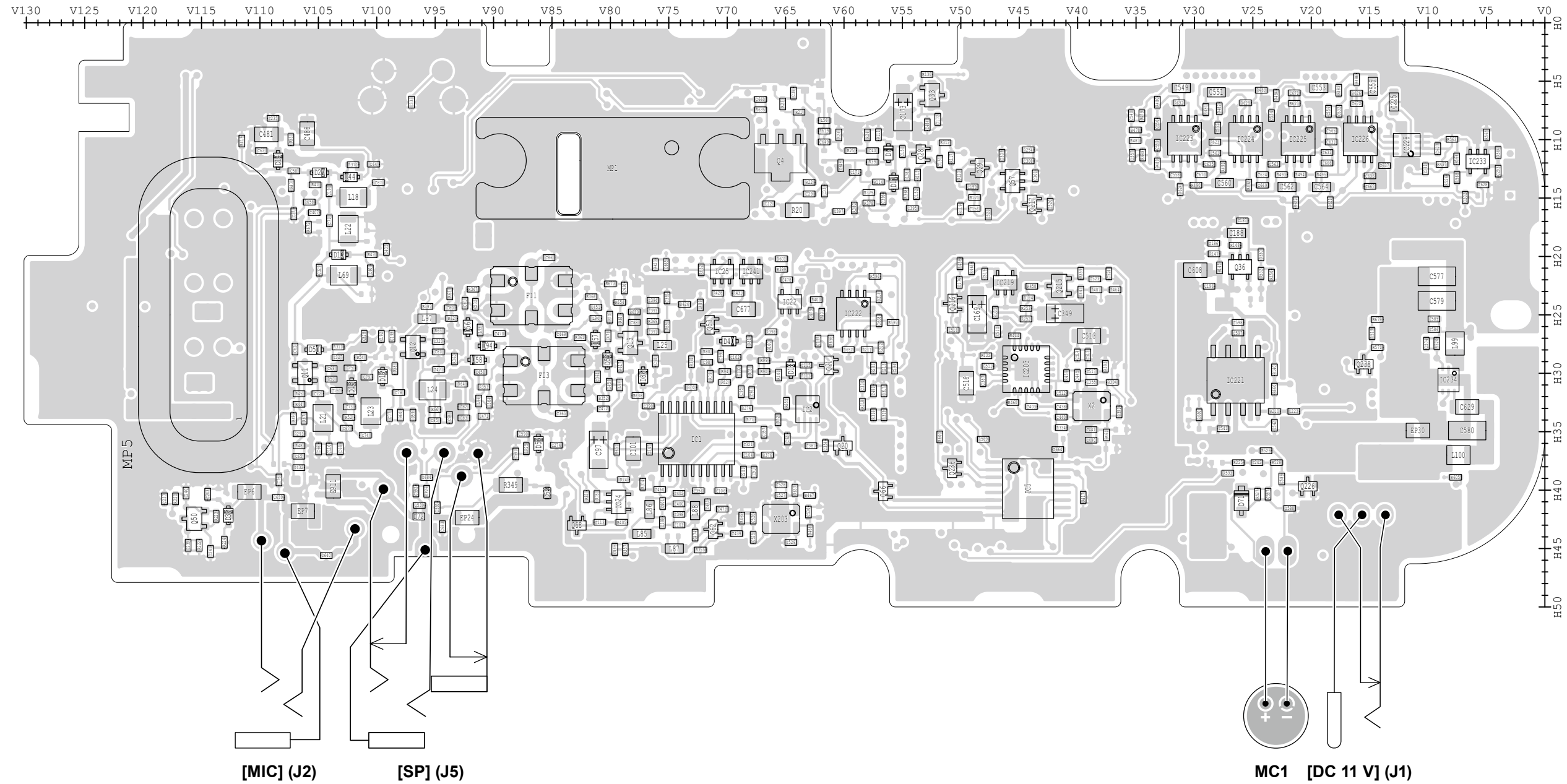
Model Name	Version	Serial Numbers
IC-A25NE	[#43]	43002801 and above (Plan)
IC-A25NE	[#44]	44001601 and above (Plan)
IC-A25N	[#46]	46003501 and above
IC-A25N	[#47]	47001601 and above (Plan)
IC-A25CE	[#53]	53000001 and above (Plan)
IC-A25C	[#56]	56003701 and above
IC-A25CE	[#63]	63006497 and above
IC-A25CE	[#64]	64001401 and above
IC-A25C	[#66]	66002501 and above
IC-A25C	[#68]	68001301 and above (Plan)



NOTE: Some parts may not be mounted on the PCB, depending on the transceiver version. Refer to the PARTS LIST for the mounted parts. The scale along the PCB indicates the corresponding "H/V LOCATION" on the parts list.

The underlined parts have been updated from the addendum of the previous version, or from the original page.

• **MAIN-2 UNIT (B-9441B: for [#43], [#44], [#46], [#47], [#53], [#56], [#63], [#64], [#66], and [#68])**
(Bottom view)

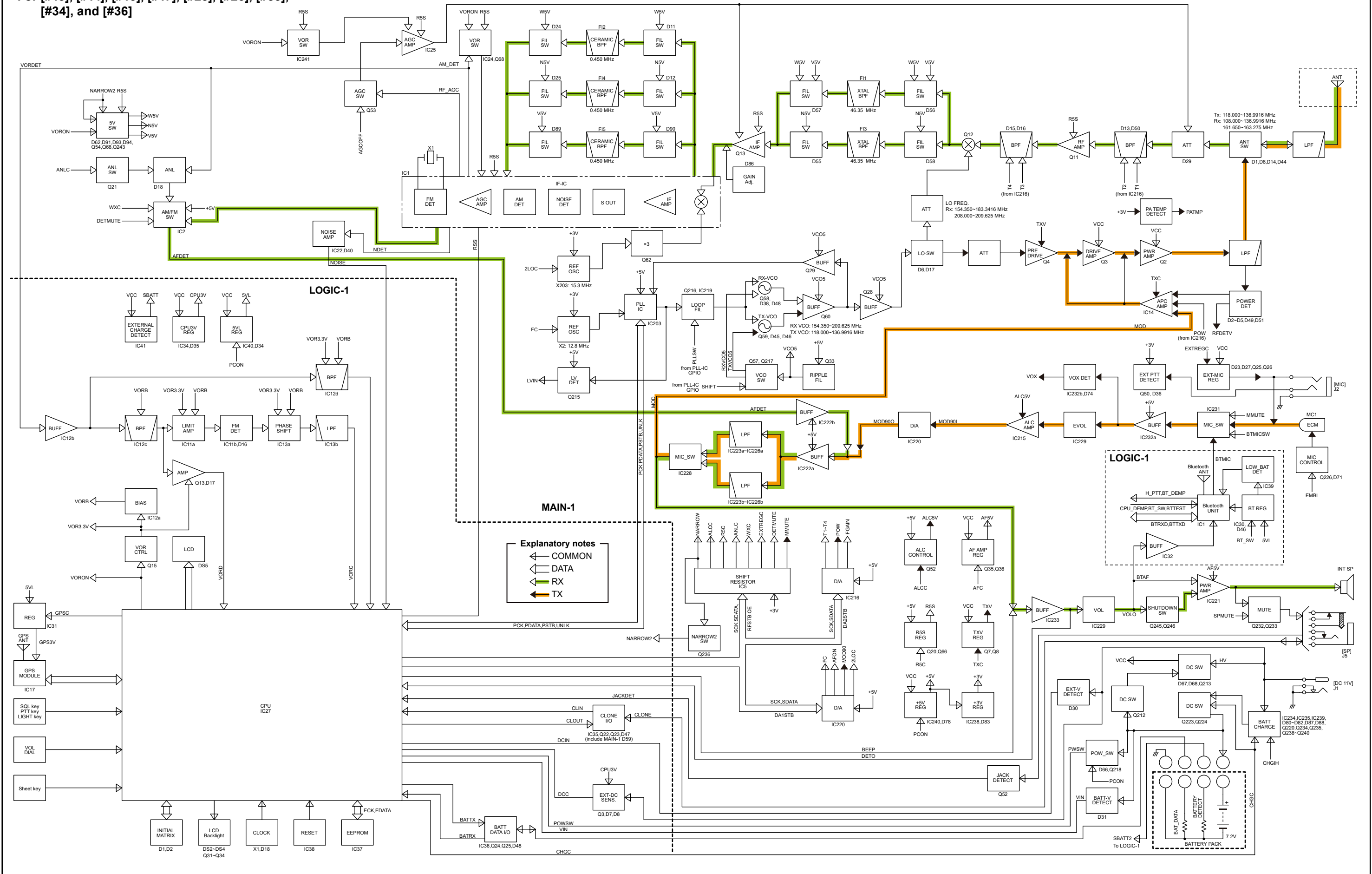


NOTE: Some parts may not be mounted on the PCB, depending on the transceiver version. Refer to the PARTS LIST for the mounted parts. The scale along the PCB indicates the corresponding "H/V LOCATION" on the parts list.

SECTION 8 BLOCK DIAGRAM

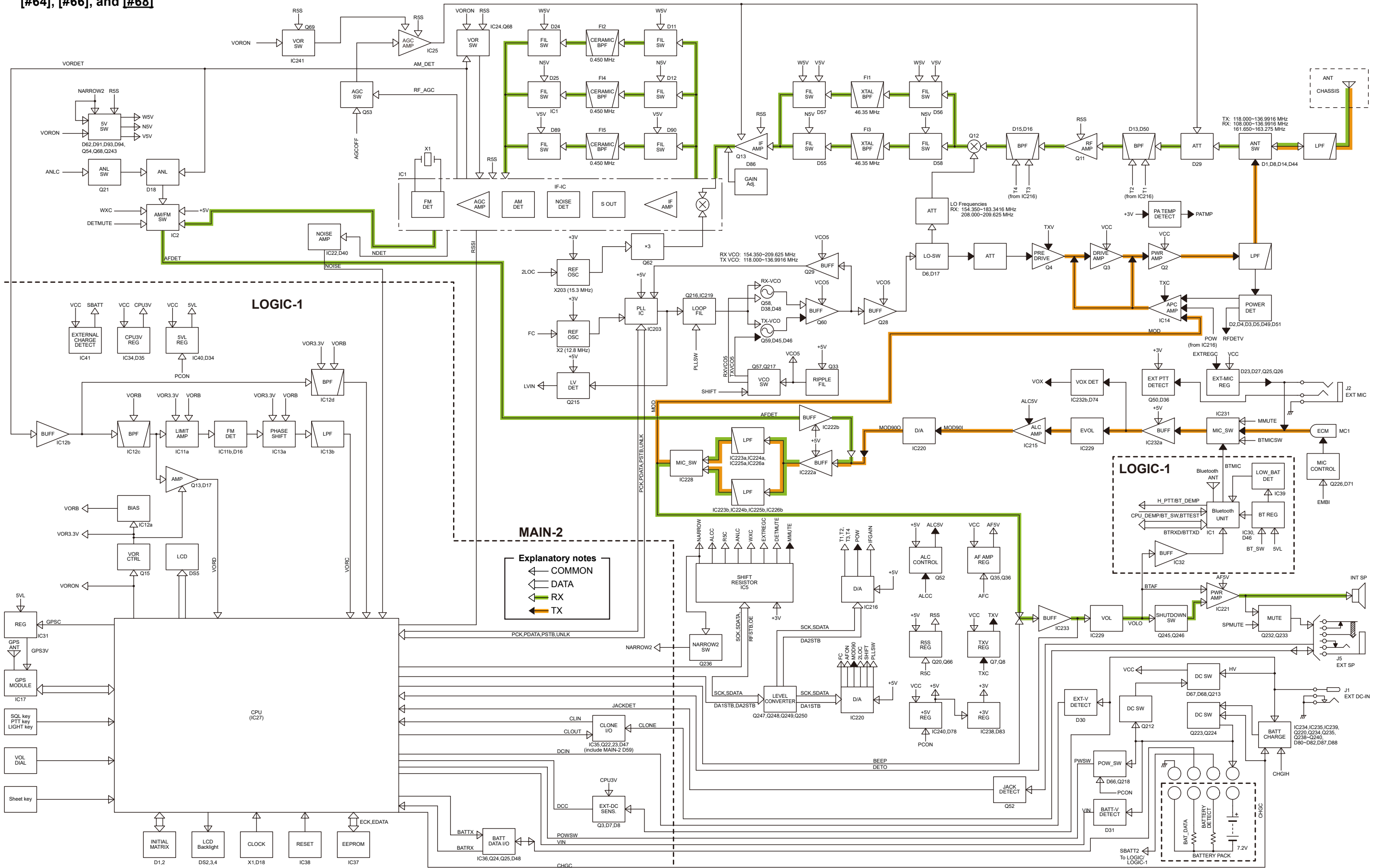
The underlined parts have been updated from the addendum of the previous version, or from the original page.

• For [#13], [#14], [#16], [#17], [#23], [#26], [#33], [#34], and [#36]



The underlined parts have been updated from the addendum of the previous version, or from the original page.

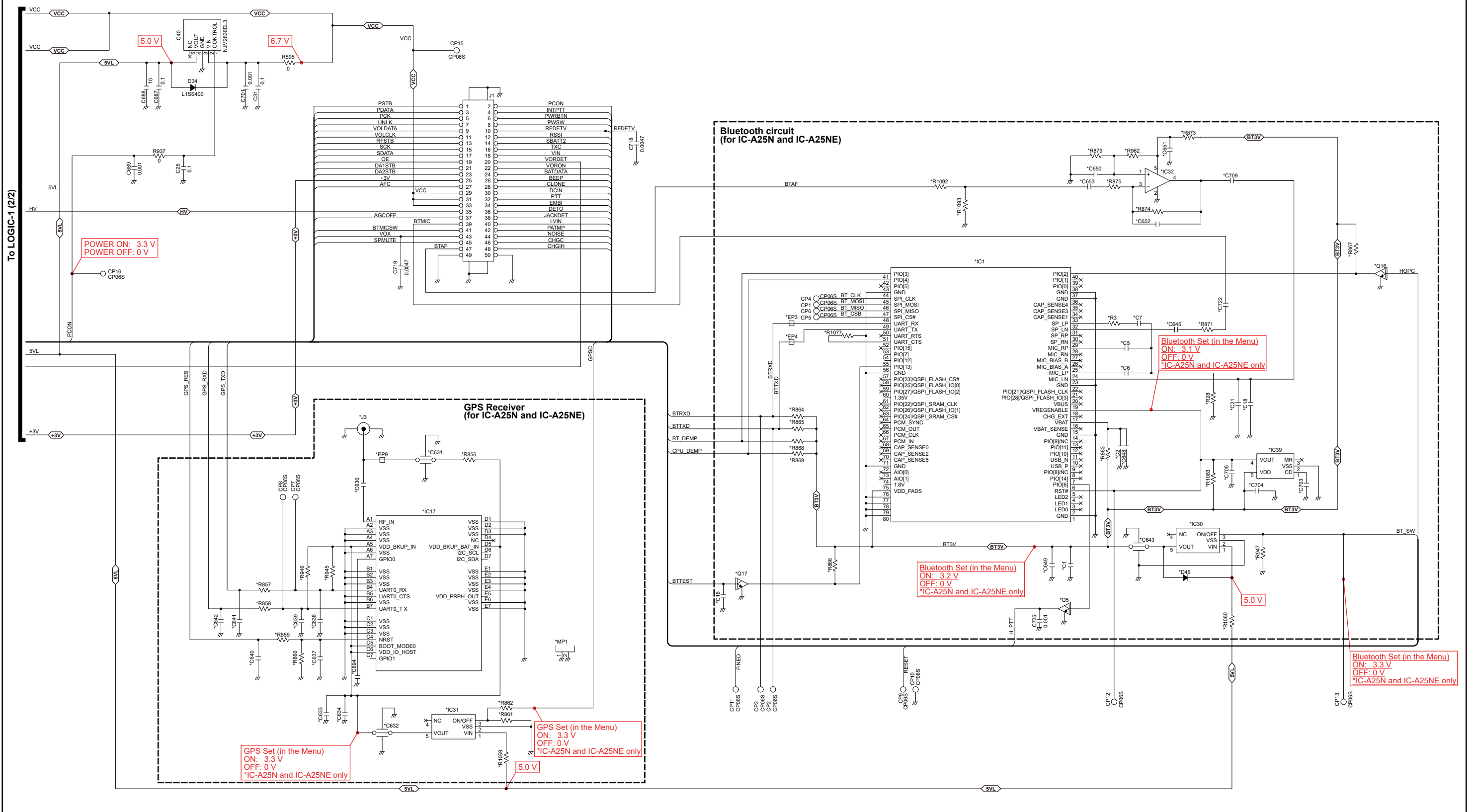
• For [#43], [#44], [#46], [#47], [#53], [#56], [#63], [#64], [#66], and [#68]



SECTION 9 VOLTAGE DIAGRAM

The underlined parts have been updated from the addendum of the previous version, or from the original page.

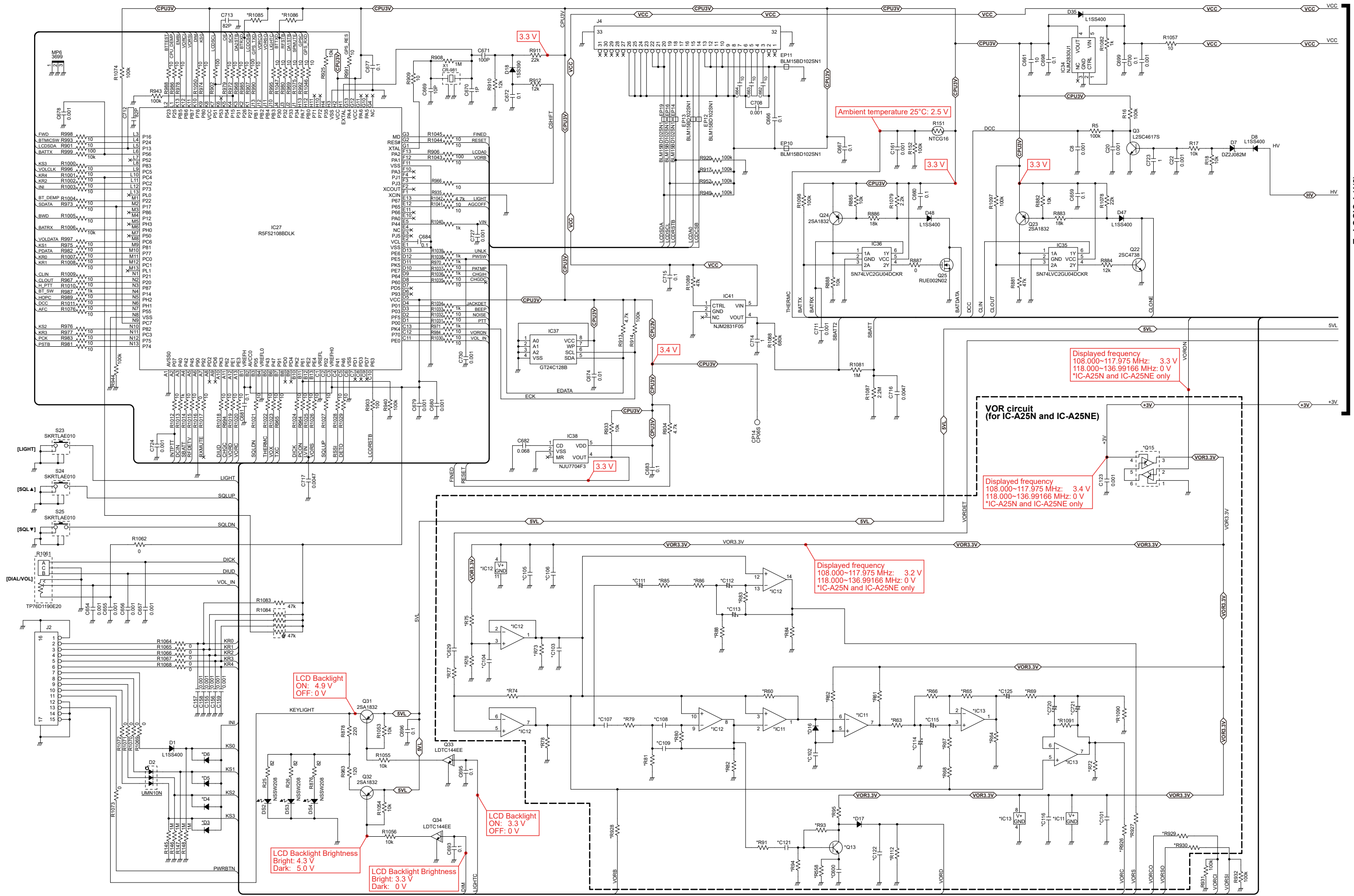
• LOGIC-1 UNIT (1/2)



*Refer to the PARTS LIST for the value and name of component.

The underlined parts have been updated from the addendum of the previous version, or from the original page.

• LOGIC-1 UNIT (2/2)

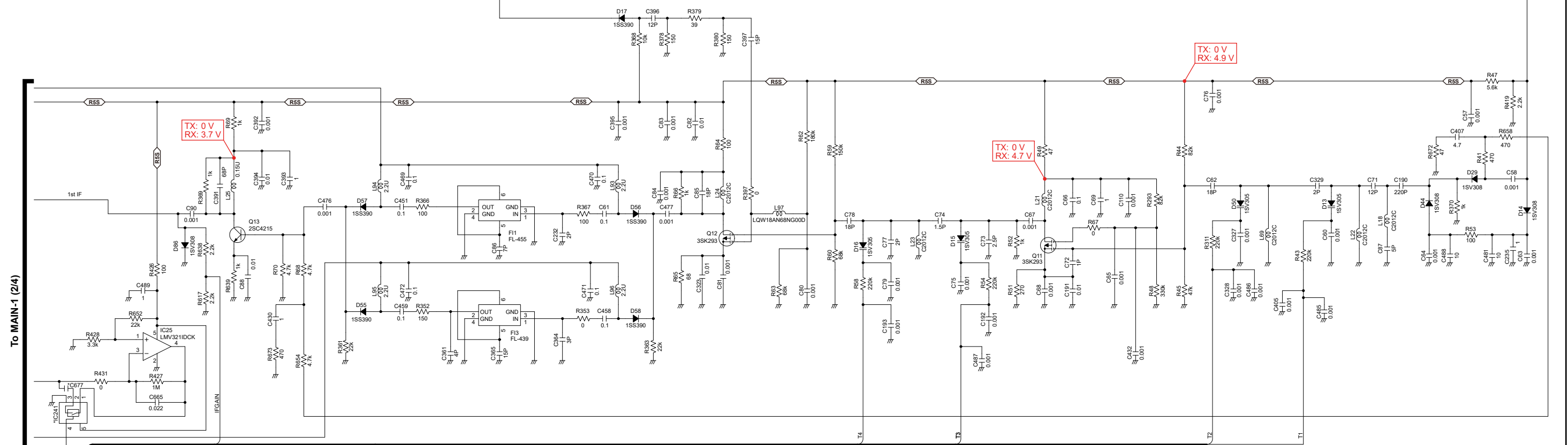
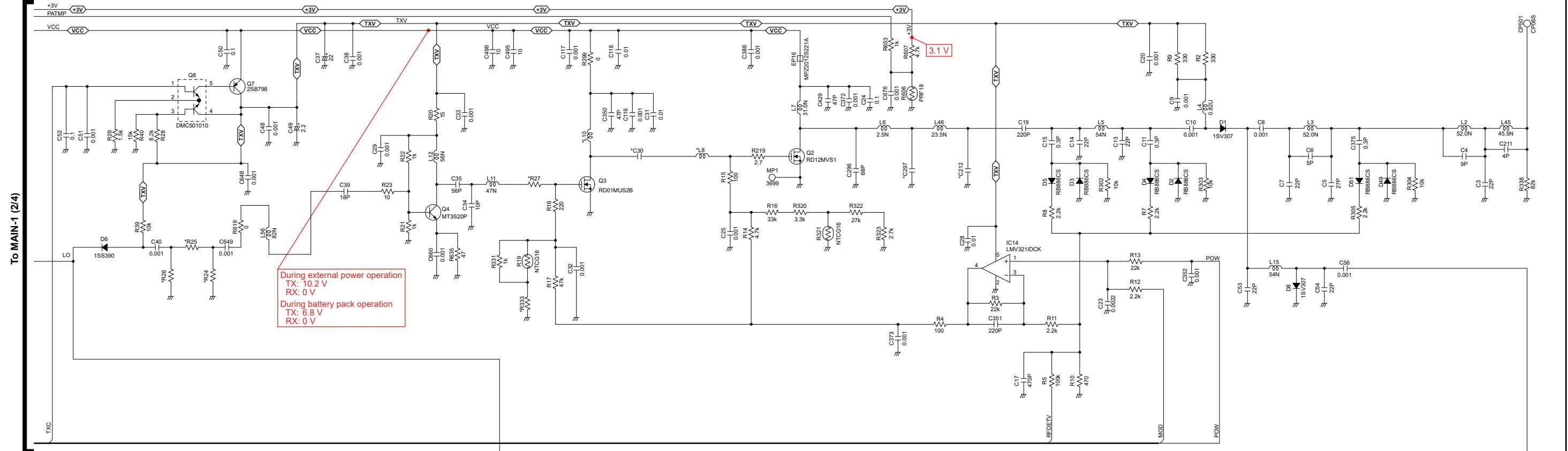


To LOGIC-1 (1/2)

*Refer to the PARTS LIST for the value and name of component.

The underlined parts have been updated from the addendum of the previous version, or from the original page.

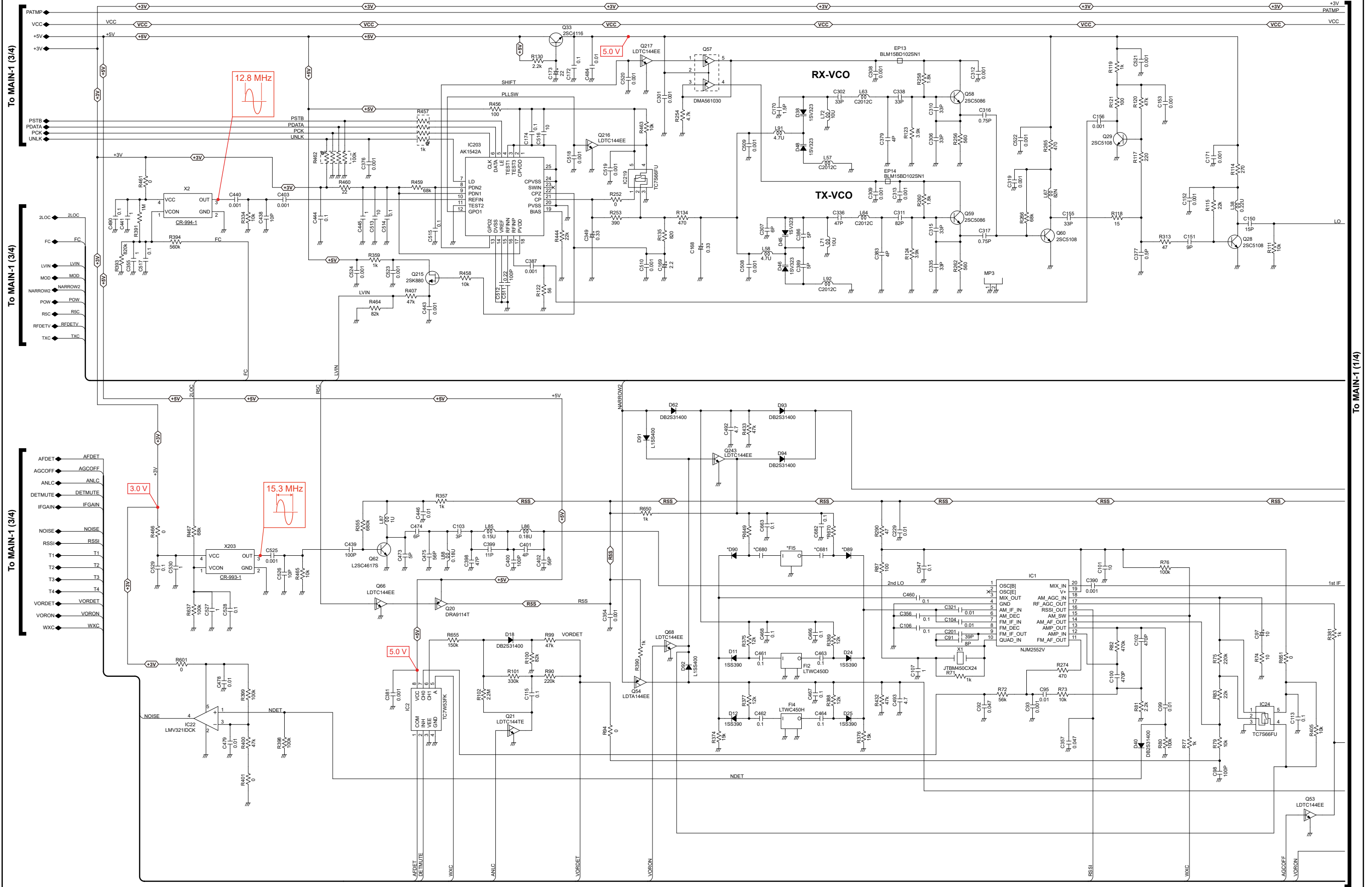
• MAIN-1 UNIT (for [#13], [#14], [#16], [#17], [#23], [#26], [#33], [#34], and [#36]: 1/4)



*Refer to the PARTS LIST for the value and name of component.

The underlined parts have been updated from the addendum of the previous version, or from the original page.

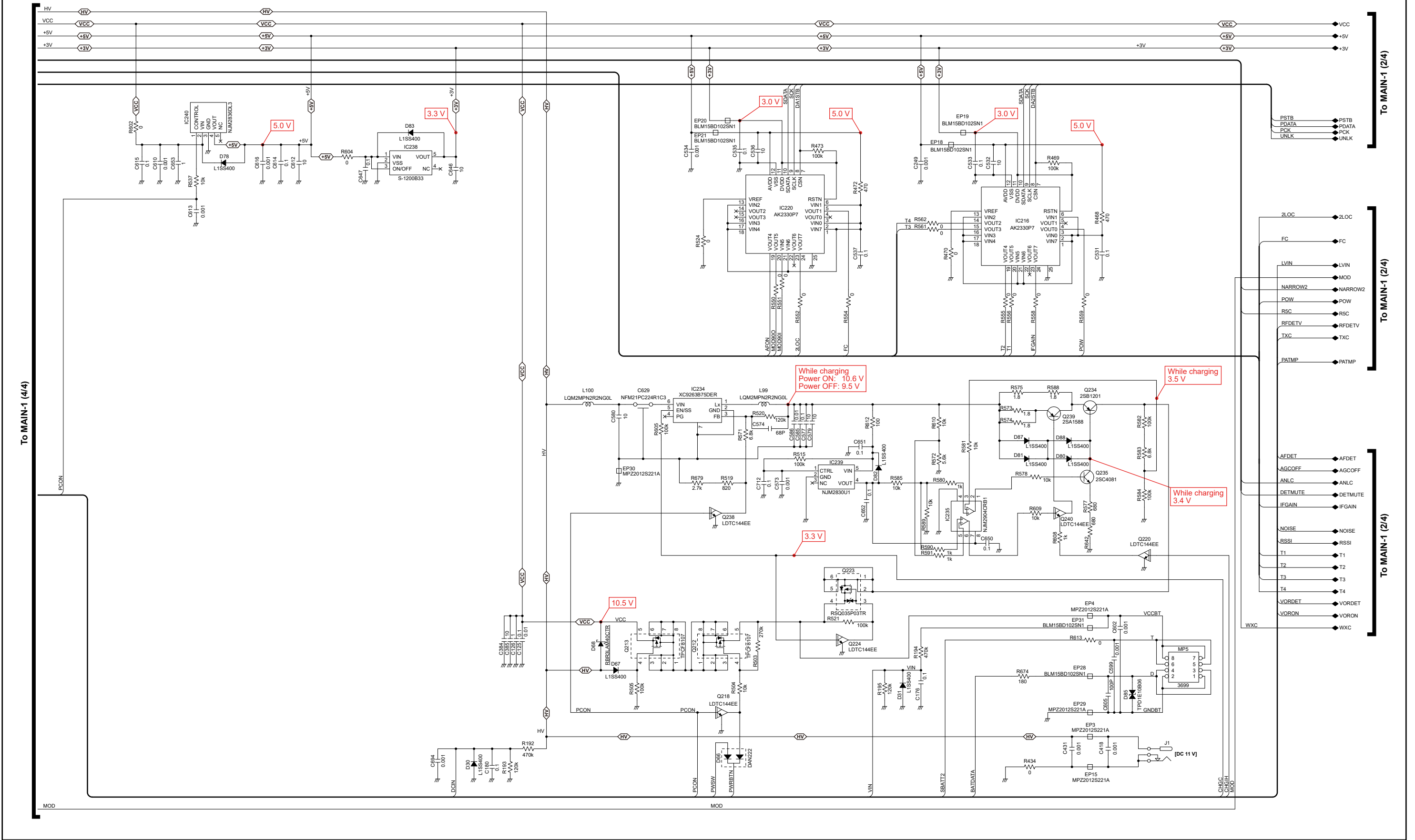
• MAIN-1 UNIT (for [#13], [#14], [#16], [#17], [#23], [#26], [#33], [#34], and [#36]: 2/4)



*Refer to the PARTS LIST for the value and name of component.

The underlined parts have been updated from the addendum of the previous version, or from the original page.

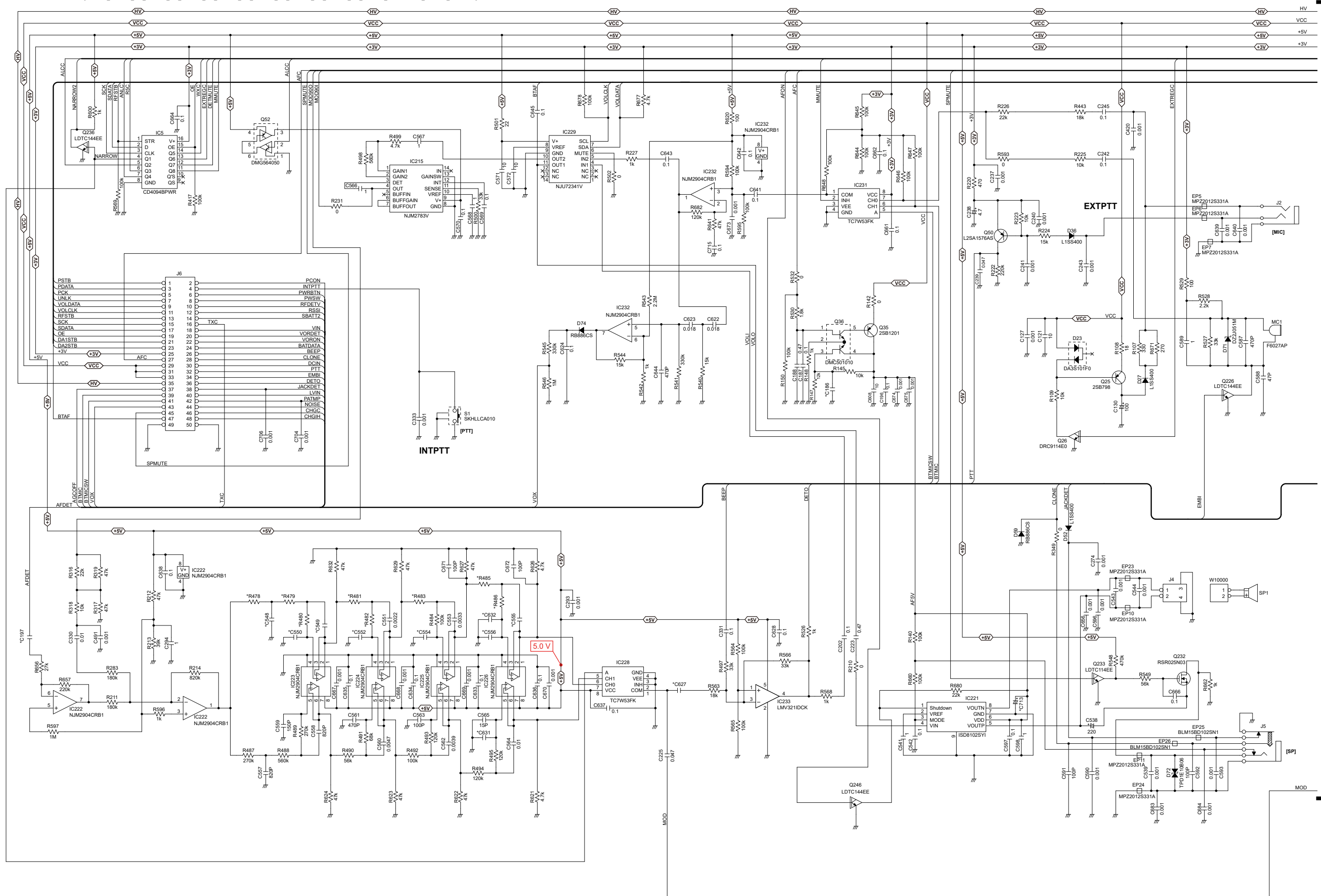
• MAIN-1 UNIT (for [#13], [#14], [#16], [#17], [#23], [#26], [#33], [#34], and [#36]: 3/4)



*Refer to the PARTS LIST for the value and name of component.

The underlined parts have been updated from the addendum of the previous version, or from the original page.

• MAIN-1 UNIT (for [#13], [#14], [#16], [#17], [#23], [#26], [#33], [#34], and [#36]: 4/4)

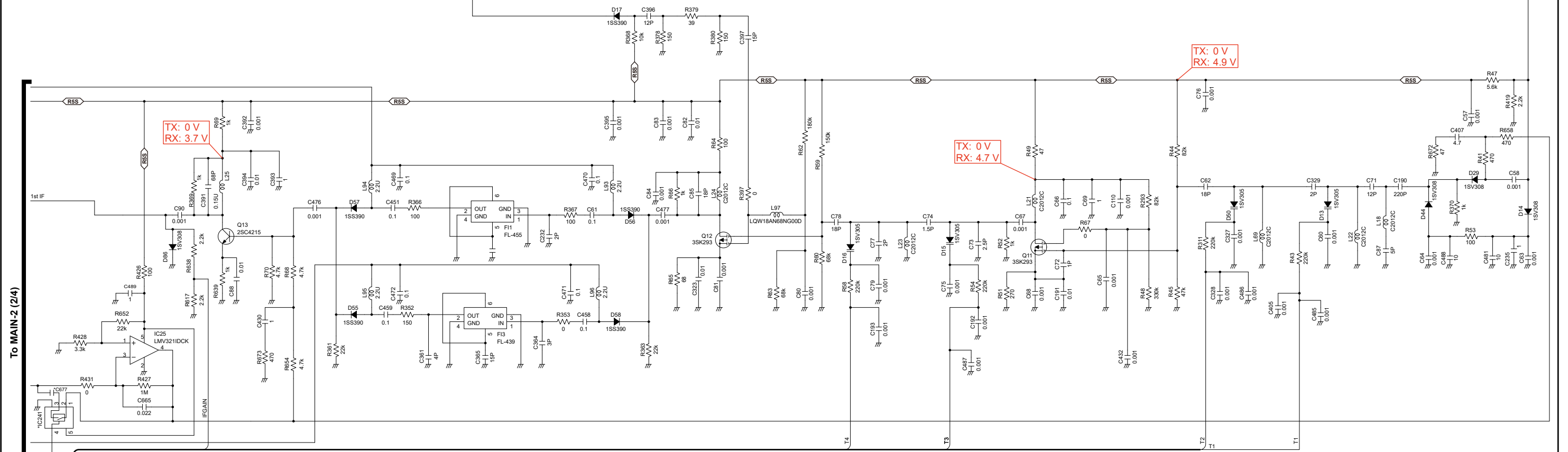
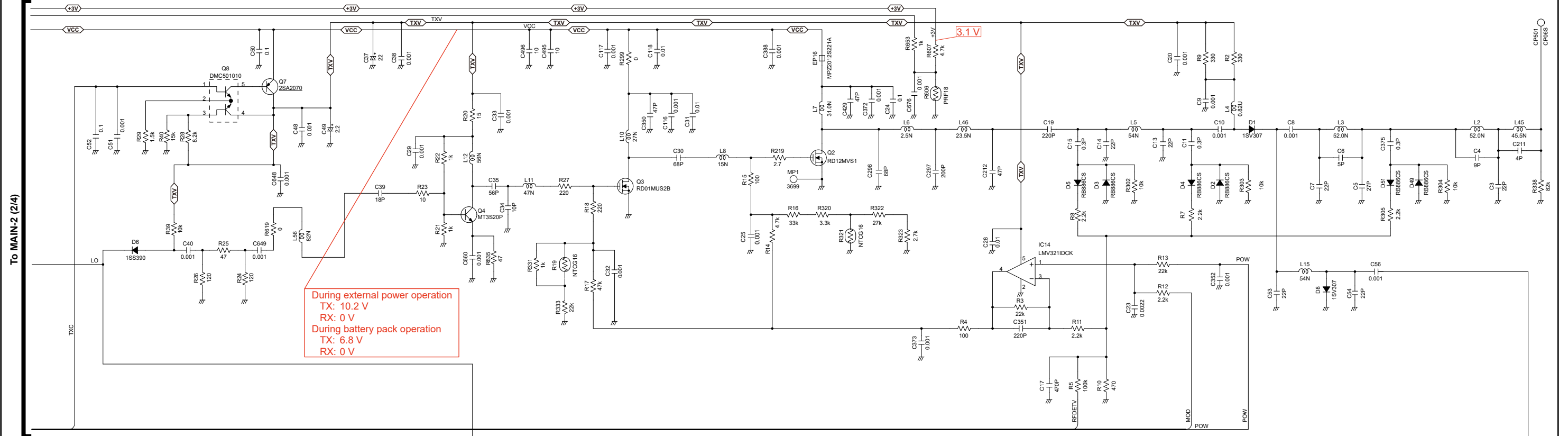


To MAIN-1 (3/4)

*Refer to the PARTS LIST for the value and name of component.

The underlined parts have been updated from the addendum of the previous version, or from the original page.

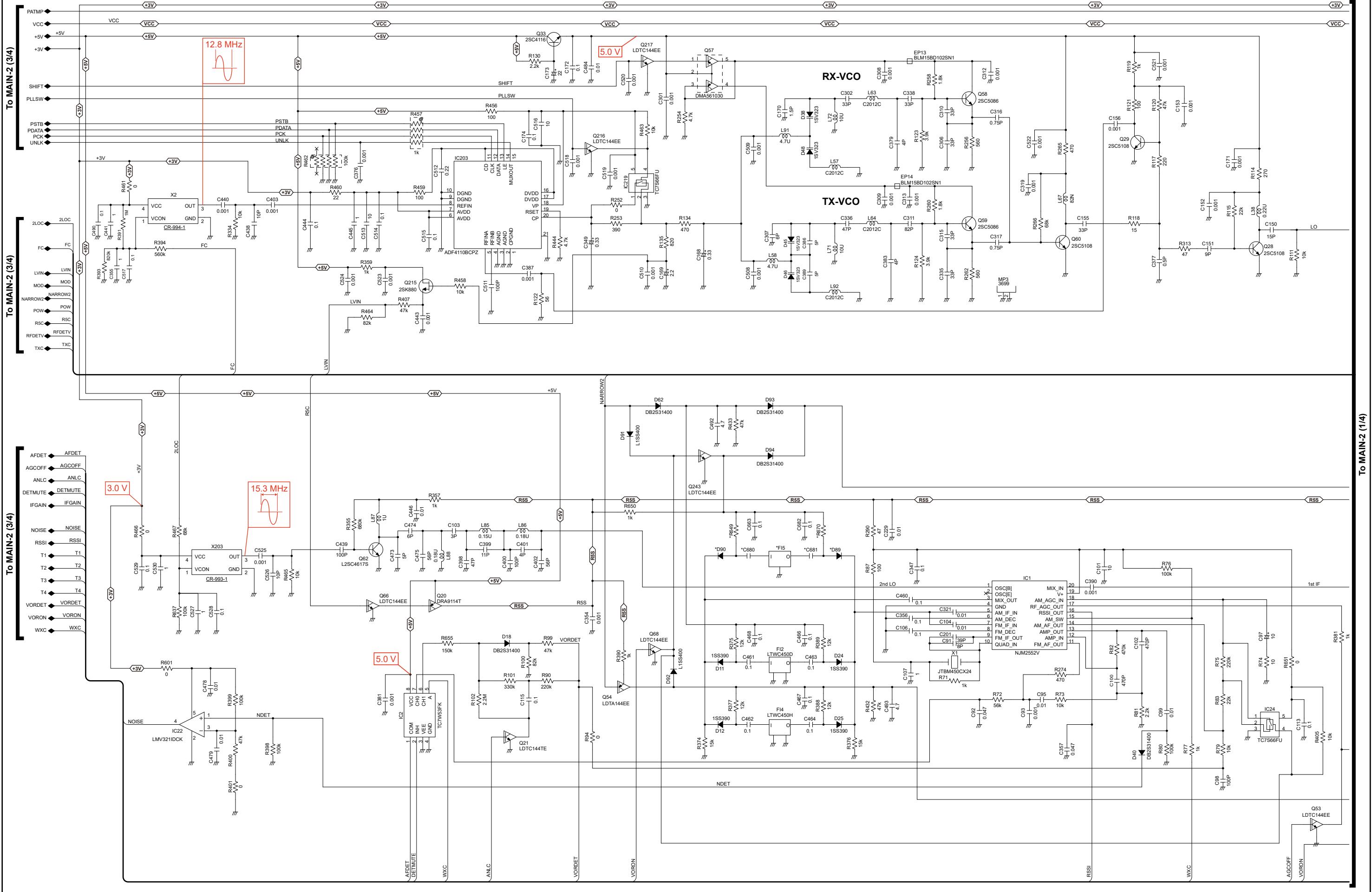
• MAIN-2 UNIT (for [#43], [#44], [#46], [#47], [#53], [#56], [#63], [#64], [#66], and [#68]: 1/4)



*Refer to the PARTS LIST for the value and name of component.

The underlined parts have been updated from the addendum of the previous version, or from the original page.

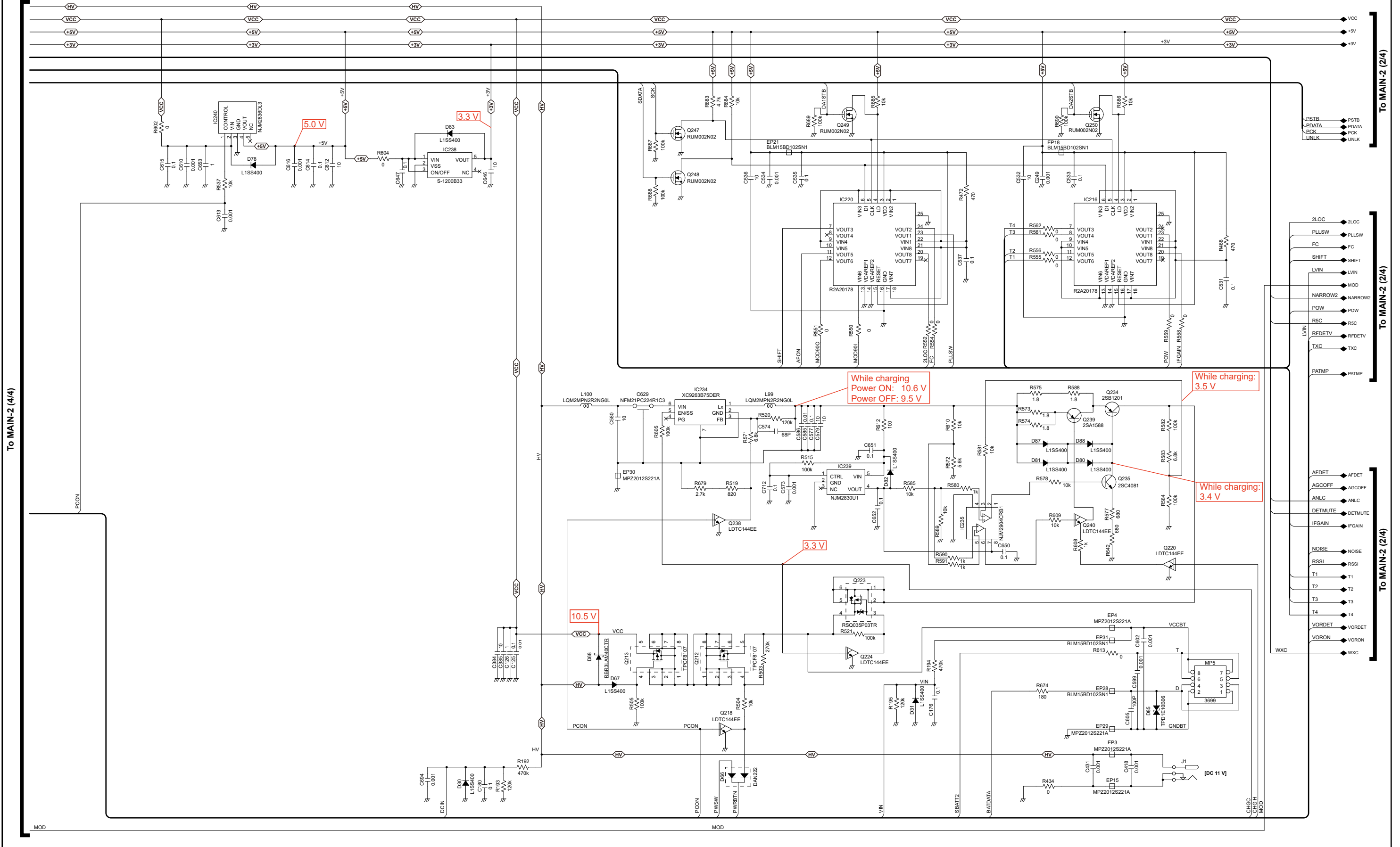
• MAIN-2 UNIT (for [#43], [#44], [#46], [#47], [#53], [#56], [#63], [#64], [#66], and [#68]: 2/4)



*Refer to the PARTS LIST for the value and name of component.

The underlined parts have been updated from the addendum of the previous version, or from the original page.

• MAIN-2 UNIT (for [#43], [#44], [#46], [#47], [#53], [#56], [#63], [#64], [#66], and [#68]: 3/4)



To MAIN-2 (4/4)

To MAIN-2 (2/4)

To MAIN-2 (2/4)

To MAIN-2 (2/4)

*Refer to the PARTS LIST for the value and name of component.

IC-A25N/IC-A25C/IC-A25NE/IC-A25CE

NOTE: Use these amended pages as one addendum set.

Do not mix them up with the previous master pages.

Definitions	
Replacement page	The page to replace the original one.
Addendum page	The page to be added to the original set.
Amended page	The page to be added as change history, including corrections.

Page number information

The number of revisions can be easily understood by the addendum service manual's page number.

The number of revisions (a, b, c, ...) is added after the page number.

CONTENTS

SECTION 4	ADJUSTMENT PROCEDURE	4-1b ~ 4-6b
SECTION 5	PARTS LIST	5-1b ~ 5-36b
SECTION 6	MECHANICAL PARTS	6-1b ~ 6-4b
SECTION 7	BOARD LAYOUT	7-1b ~ 7-10b
SECTION 8	BLOCK DIAGRAM	8-1b and 8-2b
SECTION 9	VOLTAGE DIAGRAM	9-1b ~ 9-16b

Version List

MODEL	Version Number†	Version	VOR/GPS	Bluetooth	WX Alert	Installed Unit					Remarks
						LOGIC	MAIN	LOGIC-1	MAIN-1	MAIN-2	
IC-A25N	#11	USA-01	✓	✓	✓	✓	✓	-	-	-	Discontinued (End S/No.: 11005250)
IC-A25NE	#13	EUR-01	✓	✓	-	-	-	✓	✓	-	-
IC-A25NE	#14	AUS-01	✓	✓	-	-	-	✓	✓	-	-
IC-A25N	#16	USA-02	✓	✓	✓	-	-	✓	✓	-	-
IC-A25N	#17	EXP-02	✓	✓	✓	-	-	✓	✓	-	-
IC-A25C	#21	USA-01	-	-	✓	✓	✓	-	-	-	Discontinued (End S/No.: 21003700)
IC-A25CE	#23	EUR-01	-	-	-	-	-	✓	✓	-	-
IC-A25CE	#24	AUS-01	-	-	-	-	-	✓	✓	-	-
IC-A25C	#26*	USA-04	-	-	✓	-	-	✓	✓	-	-
IC-A25C	#27	EXP-02	-	-	✓	-	-	✓	✓	-	-
IC-A25C	#31	USA-02	-	-	✓	✓	✓	-	-	-	Discontinued (End S/No.: 31001500)
IC-A25CE	#33	EUR-02	-	-	-	-	-	✓	✓	-	-
IC-A25CE	#34	AUS-02	-	-	-	-	-	✓	✓	-	-
IC-A25C	#36	USA-03	-	-	✓	-	-	✓	✓	-	-
IC-A25NE	#43*	EUR-02	✓	✓	-	-	-	✓	-	✓	-
IC-A25NE	#44*	AUS-02	✓	✓	-	-	-	✓	-	✓	-
IC-A25N	#46*	USA-03	✓	✓	✓	-	-	✓	-	✓	-
IC-A25N	#47*	EXP-03	✓	✓	✓	-	-	✓	-	✓	-
IC-A25CE	#53*	EUR-03	-	-	-	-	-	✓	-	✓	-
IC-A25C	#56*	USA-05	-	-	✓	-	-	✓	-	✓	-
IC-A25CE	#63*	EUR-04	-	-	-	-	-	✓	-	✓	-
IC-A25CE	#64*	AUS-03	-	-	-	-	-	✓	-	✓	-
IC-A25C	#66*	USA-06	-	-	✓	-	-	✓	-	✓	-

This addendum service manual provides service information for the versions listed above, excluding out of production versions.

†The first two digits of the serial number show its Version Number.

*Newly added versions.

✓: Applicable

SECTION 4 ADJUSTMENT PROCEDURE

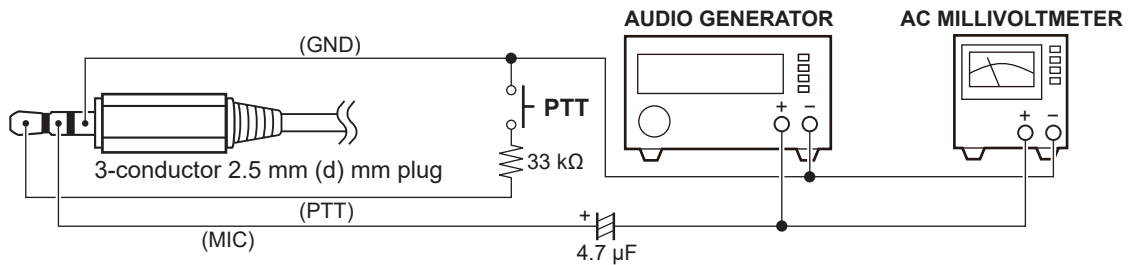
The underlined parts have been updated from the addendum of the previous version, or from the original page.

4-1 PREPARATION

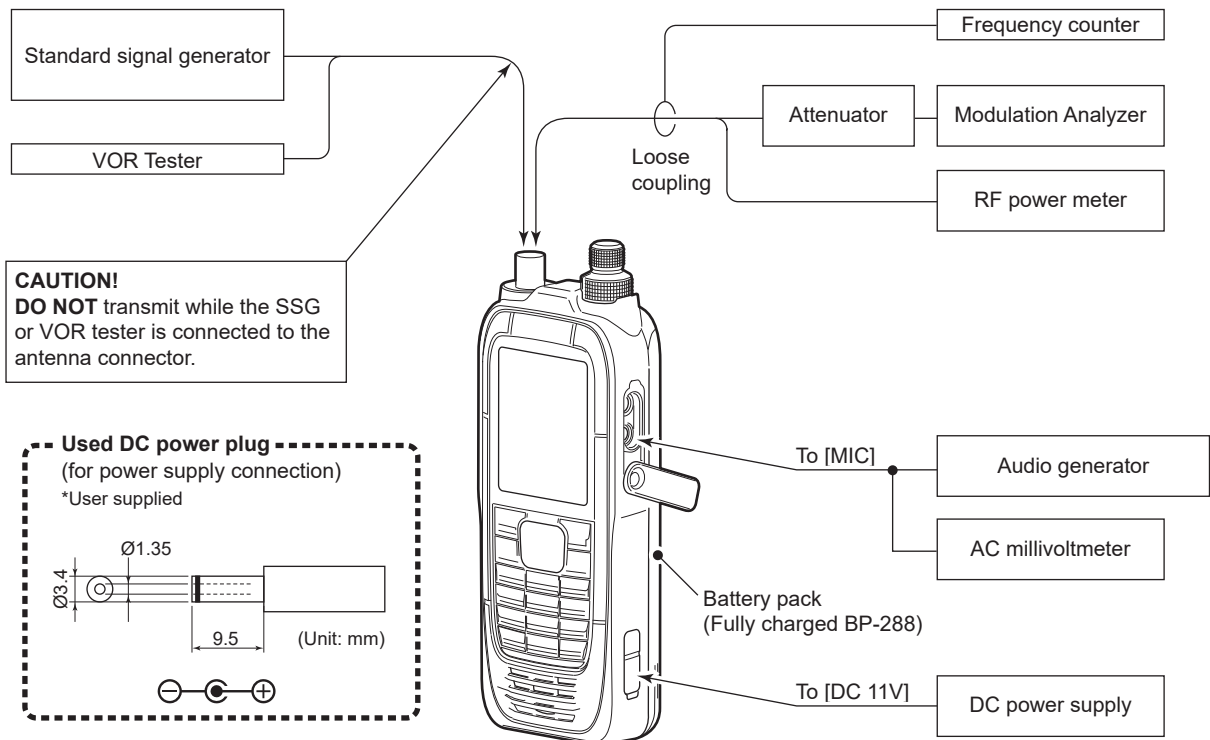
■ REQUIRED EQUIPMENT

EQUIPMENT	GRADE AND RANGE	EQUIPMENT	GRADE AND RANGE
DC power supply	Output voltage: 11 V Current capacity: 5 A or more	Programming software	CS-A25 Programming software (Revision 1.0 or later)
Battery pack	BP-288 (Fully charged)	Programming cable	OPC-478UC
RF power meter (50 Ω terminated)	Measuring range: 0.1~5 W Frequency range: 100~300 MHz SWR: 1.2 : 1 or better	Standard signal generator (SSG)	Frequency range: 0.1~300 MHz Output level: -20 dBμ to 90 dBμ (-127 to -17 dBm)
Frequency counter	Frequency range: 0.1~300 MHz Measuring accuracy: ±1 ppm or better	Audio generator (AG)	Frequency range: 300~3000 Hz Output level: 1~500 mV
Modulation analyzer	Frequency range: 30~300 MHz Measuring range: 0~100%	JIG cable	See the illustration below.
Attenuator	Power attenuation: 30~40 dB Rated input power: 10 W or more	AC millivoltmeter	Measuring range: 10 mV to 10 V
		VOR tester	Frequency range: 108~118 MHz Output level: -20 dBμ to 90 dBμ (-127 to -17 dBm)

■ JIG CABLE



■ CONNECTIONS



The underlined parts have been updated from the addendum of the previous version, or from the original page.

■ ENTERING THE ADJUSTMENT MODE

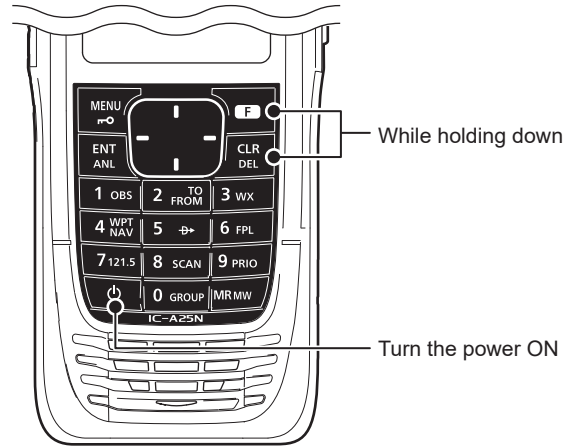
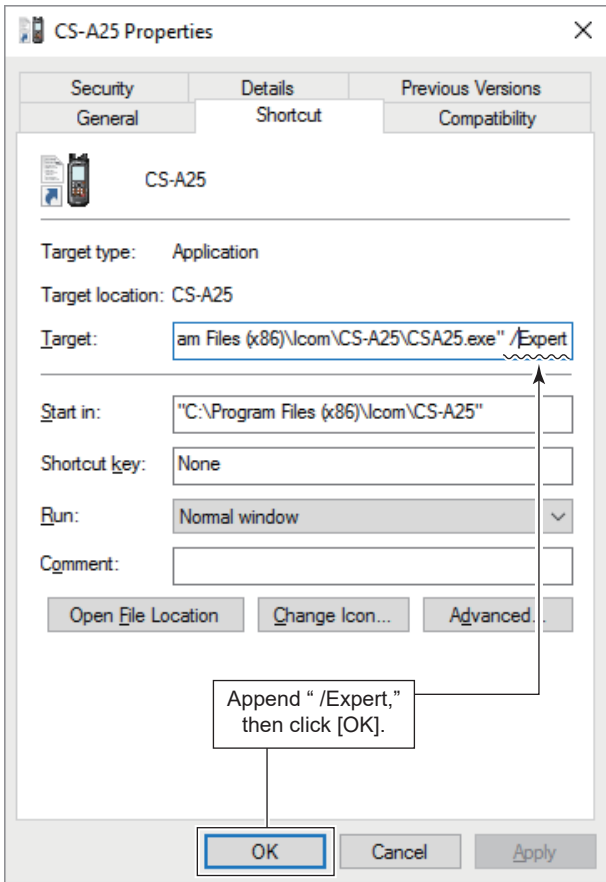
1. Right click the CS-A25's icon on the desktop and select the "Properties."

 - The CS-A25 properties window appears.

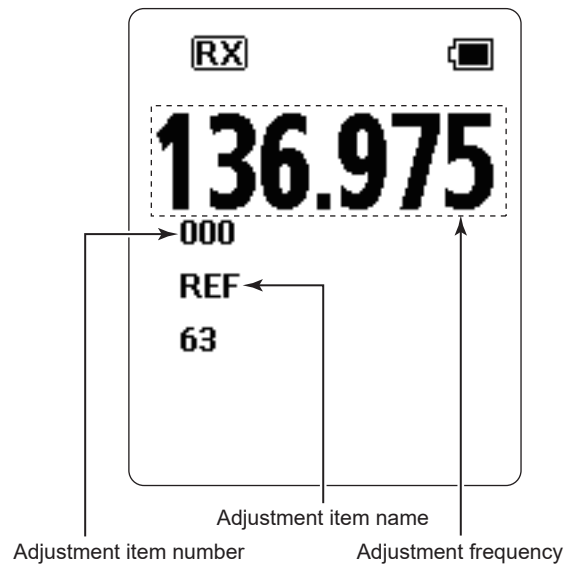
2. Append "/Expert" to the end of the contents of the Target field, and then click [OK].

 - A space is necessary before slash.

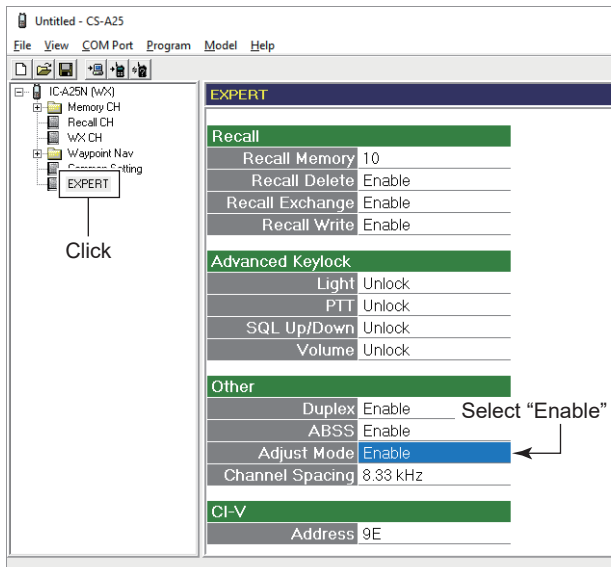
8. Write the data to the DUT.
9. Turn the power OFF, and then disconnect the OPC-478UC from the transceiver.
10. While holding down [F] and [CLR], turn ON the power.
 - Enters to the adjustment mode.



■ ADJUSTMENT MODE SCREEN



3. Boot up the programming software, CS-A25.
4. Connect the DUT (Device Under the Test) and the PC using with the OPC-478UC, and then turn the power ON.
5. Read the transceiver data into the PC.
6. Save the programming data of the DUT with the programming software.
7. Set "Adjust Mode" in the "EXPERT" to "Enable."



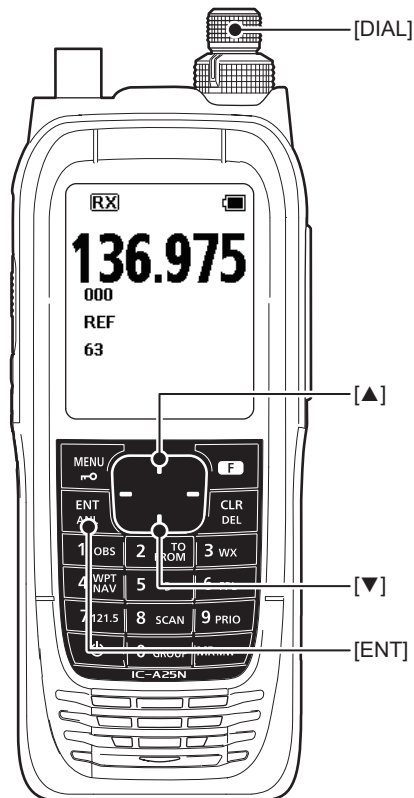
The underlined parts have been updated from the addendum of the previous version, or from the original page.

■ KEY ASSIGNMENTS FOR THE ADJUSTMENT MODE

- Push [▲] to select the next adjustment item, push [▼] to select the previous adjustment item.
- Rotate [DIAL] to set or modify the adjustment value.
- Push [ENT] to store the adjusted value, and select the next adjustment item.

■ WRITE THE PROGRAMMING DATA

After adjusting, write back the programming data saved in step 6 of "ENTERING THE ADJUSTMENT MODE."



The underlined parts have been updated from the addendum of the previous version, or from the original page.

4-2 FREQUENCY AND TRANSMIT ADJUSTMENTS

1. Select an adjustment item by pushing [▲]/[▼].
2. Set or modify the adjustment value as specified by rotating [DIAL], and then push [ENT].

ADJUSTMENT	ADJUSTMENT ITEM		DUT'S CONDITION	OPERATION	VALUE			
	NO.	NAME						
REFERENCE FREQUENCY - Adjustment -	1	000	REF	<ul style="list-style-type: none"> • Frequency: 136.975 MHz • Transmitting 	<ul style="list-style-type: none"> • Connect the RF power meter to the antenna connector. • Loosely couple the frequency counter to the antenna connector. 	136.9750 MHz (Within ±100 Hz)		
TX OUTPUT POWER - Adjustment - ~ at 7.2 V ~	1	013	BATT PL	<ul style="list-style-type: none"> • Frequency: 118.000 MHz • Transmitting 	<ul style="list-style-type: none"> • Attach the fully charged battery pack. • Connect the RF power meter to the antenna connector. • No audio applied to [MIC]. 	1.8 W		
	2	014	BATT PM	<ul style="list-style-type: none"> • Frequency: 127.500 MHz • Transmitting 				
	3	015	BATT PH	<ul style="list-style-type: none"> • Frequency: 136.975 MHz • Transmitting 				
TX OUTPUT POWER - Adjustment - ~ at 11.0 V ~	1	016	EXT PL	<ul style="list-style-type: none"> • Frequency: 118.000 MHz • Transmitting 	<ul style="list-style-type: none"> • Detach the battery pack. • Connect the DC power supply to [DC 11 V]. • While transmitting, adjust the power supply voltage to 11.0 V. • No audio applied to [MIC]. 	1.8 W		
	2	017	EXT PM	<ul style="list-style-type: none"> • Frequency: 127.500 MHz • Transmitting 				
	3	018	EXT PH	<ul style="list-style-type: none"> • Frequency: 136.975 MHz • Transmitting 				
MODULATION - Adjustment - ~ at 7.2 V ~	1	019	BATT 25MML	<ul style="list-style-type: none"> • Frequency: 118.000 MHz • Transmitting 	<ul style="list-style-type: none"> • Disconnect the DC power supply. • Attach the fully charged battery pack. • Connect the modulation analyzer to the antenna connector, through the attenuator, and set it to: HPF: OFF LPF: 20 kHz De-emphasis: OFF Detector: (P-P)/2 • Connect the audio generator to [MIC], and set it to: Frequency: 1 kHz Level: 200 mV rms Waveform: Sine wave 	90% (Within ±2%)		
	2	020	BATT 25MMM	<ul style="list-style-type: none"> • Frequency: 127.500 MHz • Transmitting 				
	3	021	BATT 25MMH	<ul style="list-style-type: none"> • Frequency: 136.975 MHz • Transmitting 				
	4	022	BATT 8MML	<ul style="list-style-type: none"> • Frequency: 118.005 MHz • Transmitting 				
	5	023	BATT 8MMM	<ul style="list-style-type: none"> • Frequency: 127.505 MHz • Transmitting 				
	6	024	BATT 8MMH	<ul style="list-style-type: none"> • Frequency: 136.980 MHz • Transmitting 				
	7	031	BATT 25NML	<ul style="list-style-type: none"> • Frequency: 118.000 MHz • Transmitting 			Set the audio generator to: Level: 20 mV rms	30% (Within ±5%)
	8	032	BATT 25NMM	<ul style="list-style-type: none"> • Frequency: 127.500 MHz • Transmitting 				
	9	033	BATT 25NMH	<ul style="list-style-type: none"> • Frequency: 136.975 MHz • Transmitting 				
	10	034	BATT 8NML	<ul style="list-style-type: none"> • Frequency: 118.005 MHz • Transmitting 				
	11	035	BATT 8NMM	<ul style="list-style-type: none"> • Frequency: 127.505 MHz • Transmitting 				
	12	036	BATT 8NMH	<ul style="list-style-type: none"> • Frequency: 136.980 MHz • Transmitting 				

The underlined parts have been updated from the addendum of the previous version, or from the original page.

4-2 FREQUENCY AND TRANSMIT ADJUSTMENTS (CONTINUED)

1. Select an adjustment item by pushing [▲]/[▼].
2. Set or modify the adjustment value as specified by rotating [DIAL], and then push [ENT].

ADJUSTMENT	ADJUSTMENT ITEM		DUT'S CONDITION	OPERATION	VALUE
	NO.	NAME			
MODULATION - Adjustment - ~ at 11.0 V ~	1	025 EXT 25MML	• Frequency: 118.000 MHz • Transmitting	• Detach the battery pack. • Connect the DC power supply to [DC 11 V]. • While transmitting, adjust the power supply voltage to 11.0 V.	For [#11], [#21], and [#31]: 87% (Within ±2%) Except [#11], [#21], and [#31]: 90% (Within ±2%)
	2	026 EXT 25MMM	• Frequency: 127.500 MHz • Transmitting		
	3	027 EXT 25MMH	• Frequency: 136.975 MHz • Transmitting	• Connect the modulation analyzer to the antenna connector, through the attenuator, and set it to: HPF: OFF LPF: 20 kHz De-emphasis: OFF Detector: (P-P)/2	For [#11], [#21], and [#31]: 80% (Within ±2%)
	4	028 EXT 8MML	• Frequency: 118.005 MHz • Transmitting		
	5	029 EXT 8MMM	• Frequency: 127.505 MHz • Transmitting	• Connect the audio generator to [MIC], and set it to: Frequency: 1 kHz Level: 200 mV rms Waveform: Sine wave	Except [#11], [#21], and [#31]: 90% (Within ±2%)
	6	030 EXT 8MMH	• Frequency: 136.980 MHz • Transmitting		
	7	037 EXT 25NML	• Frequency: 118.000 MHz • Transmitting	• Set the audio generator to: Level: 20 mV rms	30% (Within ±5%)
	8	038 EXT 25NMM	• Frequency: 127.500 MHz • Transmitting		
	9	039 EXT 25NMH	• Frequency: 136.975 MHz • Transmitting		
	10	040 EXT 8NML	• Frequency: 118.005 MHz • Transmitting		
	11	041 EXT 8NMM	• Frequency: 127.505 MHz • Transmitting		
	12	042 EXT 8NMH	• Frequency: 136.980 MHz • Transmitting		

The underlined parts have been updated from the addendum of the previous version, or from the original page.

4-3 RECEIVE ADJUSTMENTS

1. Select an adjustment item by pushing [▲]/[▼].
2. Set or modify the adjustment value as specified by rotating [DIAL], and then push [ENT].

†The output level of the standard signal generator (SSG) is measured at the load end (PD).

ADJUSTMENT	ADJUSTMENT ITEM		DUT'S CONDITION	OPERATION	VALUE	
	NO.	NAME				
<u>RECEIVE SENSITIVITY - Adjustment -</u> ~ AM ~	1	044	BPF1	<ul style="list-style-type: none"> • Frequency: IC-A25N: 108.025 MHz IC-A25C: 118.025 MHz • Receiving 	<ul style="list-style-type: none"> • Connect the SSG to the antenna connector, and set it to: Frequency: IC-A25N: 108.025 MHz IC-A25C: 118.025 MHz Modulation: None Level: +10 dBμ† (-97 dBm) 	Push [ENT] (Automatic adjustment)
	2	045	BPF2	<ul style="list-style-type: none"> • Frequency: 127.500 MHz • Receiving 	<ul style="list-style-type: none"> • Set the SSG to: Frequency: 127.500 MHz Level: +5 dBμ† (-102 dBm) 	
	3	046	BPF3	<ul style="list-style-type: none"> • Frequency: 136.975 MHz • Receiving 	<ul style="list-style-type: none"> • Set the SSG to: Frequency: 136.975 MHz 	
	4	047	BPF4	<ul style="list-style-type: none"> • Frequency: 161.650 MHz • Receiving 	<ul style="list-style-type: none"> • Set the SSG to: Frequency: 161.650 MHz 	
	5	048	BPF5	<ul style="list-style-type: none"> • Frequency: 163.275 MHz • Receiving 	<ul style="list-style-type: none"> • Set the SSG to: Frequency: 163.275 MHz 	
<u>SQUELCH LEVEL - Adjustment -</u> ~ Wide ~	1	050	WSO_S	<ul style="list-style-type: none"> • Frequency: 118.025 MHz • Receiving 	<ul style="list-style-type: none"> • Connect the SSG to the antenna connector, and set it to: Frequency: 118.025 MHz Modulation: None Level: -10 dBμ† (-117 dBm) 	Push [ENT] (Automatic adjustment)
	2	051	WSC_S		<ul style="list-style-type: none"> • Set the SSG to: Level: -13 dBμ† (-120 dBm) 	
	3	052	WSO_T		<ul style="list-style-type: none"> • Set the SSG to: Level: +13 dBμ† (-94 dBm) 	
	4	053	WSC_T		<ul style="list-style-type: none"> • Set the SSG to: Level: +10 dBμ† (-97 dBm) 	
	5	054	NSO_S	<ul style="list-style-type: none"> • Frequency: 118.030 MHz • Receiving 	<ul style="list-style-type: none"> • Set the SSG to: Level: -10 dBμ† (-117 dBm) 	
	6	055	NSC_S		<ul style="list-style-type: none"> • Set the SSG to: Level: -13 dBμ† (-120 dBm) 	
	7	056	NSO_T		<ul style="list-style-type: none"> • Set the SSG to: Level: +13 dBμ† (-94 dBm) 	
	8	057	NSC_T		<ul style="list-style-type: none"> • Set the SSG to: Level: +10 dBμ† (-97 dBm) 	
	9	058	SO_S	<ul style="list-style-type: none"> • Frequency: 162.550 MHz • Receiving 	<ul style="list-style-type: none"> • Set the SSG to: Frequency: 162.550 MHz Level: -10 dBμ† (-117 dBm) 	
	10	059	SC_S		<ul style="list-style-type: none"> • Set the SSG to: Level: -13 dBμ† (-120 dBm) 	
	11	060	SO_T		<ul style="list-style-type: none"> • Set the SSG to: Level: +13 dBμ† (-94 dBm) 	
	12	061	SC_T		<ul style="list-style-type: none"> • Set the SSG to: Level: +10 dBμ† (-97 dBm) 	
<u>For only IC-A25N VOR 0° - Adjustment -</u>	1	063	VOR0	<ul style="list-style-type: none"> • Frequency: 108.000 MHz • Receiving 	<ul style="list-style-type: none"> • Connect the VOR tester to the antenna connector, and set it to: Frequency: 108.000 MHz Level: +47 dBμ† (-60 dBm) Modulation: 30 Hz 30% 9960 Hz 30% Bearing: 0° 	Push [ENT] (Automatic adjustment)
<u>2nd LO FREQUENCY - Adjustment -</u>	1	066	LO	<ul style="list-style-type: none"> • Frequency: 127.510 MHz • Receiving 	<ul style="list-style-type: none"> • Connect the SSG to the antenna connector, and set it to: Frequency: 127.50833 MHz Modulation: None Level: +90 dBμ† (-17 dBm) 	Push [ENT] (Automatic adjustment)

SECTION 5 PARTS LIST

The underlined parts have been updated from the addendum of the previous version, or from the original page.

[LOGIC UNIT] (for [#11], [#21], and [#31])

REF NO.	PART NO.	DESCRIPTION	M.	H/V LOCATION	REF NO.	PART NO.	DESCRIPTION	M.	H/V LOCATION
IC1	1190004712	S.IC HRM1016-010022	T	37.3/13.5	R78	7030015960	S.RES RMC1/16S-472JTH (4.7 k)	B	26.5/25.5
IC11	1110003790	S.IC NJM2903V-TE1	B	17.6/8.1	R79	7030016120	S.RES RMC1/16S-682JTH (6.8 k)	B	24.8/13.4
IC12	1110006470	S.IC LMV3241PWR Only [#11]	B	24.1/19.7	R80	7030016030	S.RES RMC1/16S-154JTH (150 k)	B	26.0/15.4
IC13	1110006740	S.IC LMV3581PWR Only [#11]	B	8.4/11.0	R81	7030016290	S.RES RMC1/16S-222JTH (2.2 k)	B	23.9/15.0
IC17	1190004620	S.IC GSU-141A-098A Only [#11]	B	23.8/85.9	R82	7030015960	S.RES RMC1/16S-472JTH (4.7 k)	B	26.4/13.3
IC27	1140018060	S.IC R5F52108BDLK	B	31.0/52.9	R83	7030016040	S.RES RMC1/16S-224JTH (220 k)	B	22.4/15.3
IC30	1180004760	S.REG S-1200B33-M5T1U Only [#11]	T	18.2/10.2	R84	7030015960	S.RES RMC1/16S-472JTH (4.7 k)	B	16.6/18.5
IC31	1180004760	S.REG S-1200B33-M5T1U Only [#11]	B	32.5/96.5	R85	7030016360	S.RES RMC1/16S-123JTH (12 k)	B	14.4/21.3
IC32	1110006490	S.IC LMV321IDCKR Only [#11]	B	38.6/5.1	R86	7030016560	S.RES RMC1/16SJPTH Only [#11]	B	15.3/21.3
IC34	1180003570	S.REG NJM2830U1-33-TE1	B	39.7/44.0	R88	7030016000	S.RES RMC1/16S-823JTH (82 k)	B	18.2/23.5
IC35	1130014260	S.IC SN74LVC2GU04DCKR	B	29.0/13.8	R91	7030016100	S.RES RMC1/16S-334JTH (330 k)	B	23.0/10.4
IC36	1130014260	S.IC SN74LVC2GU04DCKR	B	40.9/31.9	R93	7030016070	S.RES RMC1/16S-474JTH (470 k)	B	21.5/14.4
IC37	1130016621	S.IC GT24C128B-22LI-TR	B	31.3/68.1	R94	7030016450	S.RES RMC1/16S-824JTH (820 k)	B	23.0/13.7
IC38	1110007780	S.IC NJU7704F3-28A-TE1	B	22.4/67.7	R95	7030016090	S.RES RMC1/16S-223JTH (22 k)	B	19.2/13.0
IC39	1110007780	S.IC NJU7704F3-28A-TE1	T	22.1/13.2	R112	7030016320	S.RES RMC1/16S-225JTH (2.2 M)	B	16.7/11.0
IC40	1180005110	S.REG NJM2836DL3-05-TE1	B	31.8/35.9	R145	7030016060	S.RES RMC1/16S-105JTH (1 M)	T	2.2/13.8
IC41	1180003460	S.REG NJM2831F05-TE1	B	29.1/64.5	R146	7030016060	S.RES RMC1/16S-105JTH (1 M)	T	2.7/14.8
Q3	1530004190	S.TRA L2SC4617ST1G	B	24.9/72.7	R147	7030016060	S.RES RMC1/16S-105JTH (1 M)	T	5.6/13.8
Q5	1590004070	S.TRA LDTC144EET1G	T	36.3/21.2	R148	7030016060	S.RES RMC1/16S-105JTH (1 M)	T	4.1/9.3
Q13	1530004140	S.TRA L2SC4081RT1G	B	21.1/12.6	R151	7510001661	S.THR NTCG16 4LH 473JT	T	34.8/24.7
Q15	1590004530	S.TRA DMG564050R	B	24.9/29.6	R152	7030008270	S.RES RR0510P-104-D (100 k)	T	36.8/25.5
Q16	1590004070	S.TRA LDTC144EET1G	B	40.5/11.3	R558	7030016360	S.RES RMC1/16S-123JTH (12 k)	B	21.5/9.8
Q17	1590004070	S.TRA LDTC144EET1G	T	19.9/17.9	R595	7030015520	S.RES RMC1/16JPTP	B	28.0/32.2
Q22	1530004000	S.TRA 2SC4738-GR (TE85LF)	B	32.4/14.2	R856	7030015900	S.RES RMC1/16S-470JTH (47)	B	19.2/88.3
Q23	1510001100	S.TRA 2SA1832-GR (TE85RF)	B	28.1/17.0	R857	7030016560	S.RES RMC1/16SJPTH Only [#11]	B	18.8/85.4
Q24	1510001100	S.TRA 2SA1832-GR (TE85RF)	B	40.8/28.5	R858	7030016560	S.RES RMC1/16SJPTH Only [#11]	B	21.5/79.2
Q25	1560001730	S.FET RUE002N02 TL	B	35.8/29.7	R859	7030016560	S.RES RMC1/16SJPTH Only [#11]	B	28.7/86.5
Q31	1510001100	S.TRA 2SA1832-GR (TE85RF)	T	14.7/13.5	R860	7030016020	S.RES RMC1/16S-104JTH (100 k)	B	28.7/87.4
Q32	1510001100	S.TRA 2SA1832-GR (TE85RF)	T	13.4/18.5	R861	7030016020	S.RES RMC1/16S-104JTH (100 k)	B	29.7/97.1
Q33	1590004070	S.TRA LDTC144EET1G	T	17.2/7.4	R862	7030016560	S.RES RMC1/16SJPTH Only [#11]	B	28.9/98.0
Q34	1590004070	S.TRA LDTC144EET1G	T	14.8/15.5	R863	7030016560	S.RES RMC1/16SJPTH Only [#11]	T	22.8/16.1
D1	1750001810	S.DIO L1SS400T1G	T	5.4/19.4	R864	7030016110	S.RES RMC1/16S-473JTH (47 k)	B	40.1/16.4
D2	1750002220	S.DIO DA6J10IK0R	T	3.4/16.6	R865	7030016110	S.RES RMC1/16S-473JTH (47 k)	B	38.5/15.3
D4	1750001810	S.DIO L1SS400T1G	T	3.9/12.1	R866	7030016020	S.RES RMC1/16S-104JTH (100 k)	T	21.9/17.9
D8	1750001810	S.DIO L1SS400T1G	B	32.5/72.5	R867	7030016020	S.RES RMC1/16S-104JTH (100 k)	B	40.1/12.9
D16	1750001810	S.DIO L1SS400T1G	B	13.2/6.8	R868	7030016110	S.RES RMC1/16S-473JTH (47 k)	B	40.1/14.1
D17	1750001810	S.DIO L1SS400T1G	B	17.5/12.6	R869	7030016110	S.RES RMC1/16S-473JTH (47 k)	B	40.1/15.3
D18	1750001790	S.DIO 1SS390 TE61	B	40.7/57.6	R871	7030015970	S.RES RMC1/16S-103JTH (10 k)	B	36.3/11.8
D34	1750001810	S.DIO L1SS400T1G	B	26.3/36.4	R873	7030016050	S.RES RMC1/16S-102JTH (1 k)	B	38.7/8.4
D35	1750001810	S.DIO L1SS400T1G	B	45.0/44.6	R874	7030016190	S.RES RMC1/16S-273JTH (27 k)	B	39.0/2.4
D46	1750001810	S.DIO L1SS400T1G	T	17.8/12.6	R875	7030016190	S.RES RMC1/16S-273JTH (27 k)	B	40.8/4.3
D47	1750001810	S.DIO L1SS400T1G	B	32.5/17.4	R876	7030016160	S.RES RMC1/16S-820JTH (82)	T	33.0/35.2
D48	1750001810	S.DIO L1SS400T1G	B	36.0/28.1	R878	7030015920	S.RES RMC1/16S-221JTH (220)	T	13.2/14.6
X1	6050013790	S.XTA CR-981 (19.6608 MHz)	B	39.7/53.9	R879	7030016020	S.RES RMC1/16S-104JTH (100 k)	B	41.3/5.5
Eqv.	6050013950	S.XTA CR-995 (19.6608 MHz)			R881	7030016110	S.RES RMC1/16S-473JTH (47 k)	B	27.9/18.5
R3	7030015910	S.RES RMC1/16S-101JTH (100)	B	33.6/8.2	R882	7030015970	S.RES RMC1/16S-103JTH (10 k)	B	29.6/16.9
R5	7030016020	S.RES RMC1/16S-104JTH (100 k)	B	23.5/70.8	R883	7030016380	S.RES RMC1/16S-183JTH (18 k)	B	30.9/17.3
R16	7030016020	S.RES RMC1/16S-104JTH (100 k)	B	22.6/70.8	R884	7030016360	S.RES RMC1/16S-123JTH (12 k)	B	30.9/14.1
R17	7030015970	S.RES RMC1/16S-103JTH (10 k)	B	26.9/73.2	R885	7030015970	S.RES RMC1/16S-103JTH (10 k)	B	39.2/28.6
R18	7030015970	S.RES RMC1/16S-103JTH (10 k)	B	28.3/71.6	R886	7030016380	S.RES RMC1/16S-183JTH (18 k)	B	38.0/28.1
R25	7030016160	S.RES RMC1/16S-820JTH (82)	T	11.0/35.2	R887	7030016560	S.RES RMC1/16SJPTH	B	38.0/30.2
R26	7030016160	S.RES RMC1/16S-820JTH (82)	T	22.0/35.2	R888	7030015970	S.RES RMC1/16S-103JTH (10 k)	B	42.8/31.9
R28	7030016560	S.RES RMC1/16SJPTH Only [#11]	B	31.8/8.2	R901	7030020810	S.RES MCR006YLPJ 101 (100)	B	30.3/43.5
R60	7030016340	S.RES RMC1/16S-393JTH (39 k)	B	22.0/8.4	R902	7030020810	S.RES MCR006YLPJ 101 (100)	B	23.5/43.3
R61	7030016110	S.RES RMC1/16S-473JTH (47 k)	B	13.3/8.8	R903	7030020810	S.RES MCR006YLPJ 101 (100)	B	30.2/61.4
R62	7030016020	S.RES RMC1/16S-104JTH (100 k)	B	12.2/8.4	R906	7030020810	S.RES MCR006YLPJ 101 (100)	B	23.5/62.3
R63	7030016330	S.RES RMC1/16S-153JTH (15 k)	B	11.0/2.3	R907	7030020810	S.RES MCR006YLPJ 101 (100)	B	39.2/50.1
R64	7030015960	S.RES RMC1/16S-472JTH (4.7 k)	B	4.5/9.2	R908	7030016060	S.RES RMC1/16S-105JTH (1 M)	B	37.1/52.9
R65	7030016040	S.RES RMC1/16S-224JTH (220 k)	B	9.2/6.6	R909	7030016150	S.RES RMC1/16S-100JTH (10)	B	35.8/53.0
R66	7030016040	S.RES RMC1/16S-224JTH (220 k)	B	9.2/5.7	R910	7030016360	S.RES RMC1/16S-123JTH (12 k)	B	39.3/57.6
R67	7030015970	S.RES RMC1/16S-103JTH (10 k)	B	5.9/10.2	R911	7030016090	S.RES RMC1/16S-223JTH (22 k)	B	39.3/56.7
R68	7030016200	S.RES RMC1/16S-274JTH (270 k)	B	5.9/11.8	R912	7030016360	S.RES RMC1/16S-123JTH (12 k)	B	42.0/58.4
R69	7030016360	S.RES RMC1/16S-123JTH (12 k)	B	2.8/14.3	R913	7030015960	S.RES RMC1/16S-472JTH (4.7 k)	B	26.0/67.7
R72	7030015960	S.RES RMC1/16S-472JTH (4.7 k)	B	9.9/15.3	R914	7030016020	S.RES RMC1/16S-104JTH (100 k)	B	25.0/68.2
R73	7030015960	S.RES RMC1/16S-472JTH (4.7 k)	B	21.7/24.9	R917	7030016020	S.RES RMC1/16S-104JTH (100 k)	T	24.1/21.2
R74	7030016040	S.RES RMC1/16S-224JTH (220 k)	B	21.7/24.0	R920	7030016020	S.RES RMC1/16S-104JTH (100 k)	T	23.7/20.0
R75	7030016110	S.RES RMC1/16S-473JTH (47 k)	B	23.7/24.0					
R76	7030016110	S.RES RMC1/16S-473JTH (47 k)	B	22.7/26.4					
R77	7030016040	S.RES RMC1/16S-224JTH (220 k)	B	24.8/25.0					

Eqv.= This component is equivalent to the REF No. component listed above, and may be substituted on parts orders and repairs.

M.=Mounted side (T: Mounted on the Top side, B: Mounted on the Bottom side)
H/V LOCATION= Shows mounting location on the PCB.

The underlined parts have been updated from the addendum of the previous version, or from the original page.

[LOGIC UNIT] (for [#11], [#21], and [#31])

REF NO.	PART NO.	DESCRIPTION	M.	H/V LOCATION
R925	7030015970	S.RES RMC1/16S-103JTH (10 k)	B	44.4/52.9
R926	7030016560	S.RES RMC1/16SJPTH Only [#11]	B	9.9/16.2
R927	7030016560	S.RES RMC1/16SJPTH Only [#11]	B	20.7/15.3
R928	7030016560	S.RES RMC1/16SJPTH Only [#11]	B	21.3/26.2
R929	7030020810	S.RES MCR006YLPJ 101 (100) Only [#11]	B	24.6/50.9
R930	7030020810	S.RES MCR006YLPJ 101 (100) Only [#11]	B	24.0/51.9
R931	7030016020	S.RES RMC1/16S-104JTH (100 k)	B	23.8/49.3
R932	7030016020	S.RES RMC1/16S-104JTH (100 k)	B	23.4/50.5
R933	7030015970	S.RES RMC1/16S-103JTH (10 k)	B	22.1/69.6
R934	7030015960	S.RES RMC1/16S-472JTH (4.7 k)	B	26.0/69.8
R935	7030015960	S.RES RMC1/16S-472JTH (4.7 k)	B	35.3/54.5
R937	7030016560	S.RES RMC1/16SJPTH	B	30.3/27.6
R940	7030016020	S.RES RMC1/16S-104JTH (100 k)	B	28.4/61.3
R943	7030016020	S.RES RMC1/16S-104JTH (100 k)	B	35.6/44.1
R944	7030016020	S.RES RMC1/16S-104JTH (100 k)	B	36.5/47.0
R945	7030016020	S.RES RMC1/16S-104JTH (100 k) Only [#11]	B	19.2/86.6
R946	7030016020	S.RES RMC1/16S-104JTH (100 k) Only [#11]	B	20.3/79.6
R947	7030016020	S.RES RMC1/16S-104JTH (100 k) Only [#11]	T	15.9/9.8
R949	7030016020	S.RES RMC1/16S-104JTH (100 k)	T	21.1/21.2
R952	7030016020	S.RES RMC1/16S-104JTH (100 k)	T	17.7/26.7
R962	7030016020	S.RES RMC1/16S-104JTH (100 k) Only [#11]	B	39.1/7.1
R963	7030016210	S.RES RMC1/16S-121JTH (120)	T	13.2/16.2
R964	7030020800	S.RES MCR006YLPJ 100 (10)	B	28.6/60.4
R965	7030020800	S.RES MCR006YLPJ 100 (10)	B	30.9/59.6
R966	7030020800	S.RES MCR006YLPJ 100 (10)	B	43.4/58.4
R967	7030020800	S.RES MCR006YLPJ 100 (10)	B	34.7/47.9
R968	7030020800	S.RES MCR006YLPJ 100 (10)	B	37.3/49.7
R969	7030020800	S.RES MCR006YLPJ 100 (10)	B	37.3/51.8
R970	7030020800	S.RES MCR006YLPJ 100 (10)	B	26.0/66.3
R971	7030020800	S.RES MCR006YLPJ 100 (10)	B	25.0/66.8
R972	7030020800	S.RES MCR006YLPJ 100 (10)	B	34.6/44.5
R973	7030020800	S.RES MCR006YLPJ 100 (10)	B	35.6/47.1
R974	7030020800	S.RES MCR006YLPJ 100 (10)	B	23.5/47.8
R975	7030020800	S.RES MCR006YLPJ 100 (10)	B	29.3/47.9
R976	7030020800	S.RES MCR006YLPJ 100 (10)	B	28.7/47.9
R977	7030020800	S.RES MCR006YLPJ 100 (10)	B	27.5/47.9
R978	7030020800	S.RES MCR006YLPJ 100 (10)	B	26.0/50.9
R979	7030020800	S.RES MCR006YLPJ 100 (10)	B	33.0/44.0
R980	7030020800	S.RES MCR006YLPJ 100 (10)	B	39.4/51.5
R981	7030020800	S.RES MCR006YLPJ 100 (10)	B	26.0/48.8
R982	7030020800	S.RES MCR006YLPJ 100 (10)	B	28.1/47.9
R983	7030020800	S.RES MCR006YLPJ 100 (10)	B	26.3/47.9
R984	7030020800	S.RES MCR006YLPJ 100 (10)	B	24.1/55.7
R985	7030020800	S.RES MCR006YLPJ 100 (10)	B	37.3/50.6
R986	7030020800	S.RES MCR006YLPJ 100 (10)	B	37.3/49.1
R987	7030020800	S.RES MCR006YLPJ 100 (10)	B	33.1/47.9
R988	7030020800	S.RES MCR006YLPJ 100 (10)	B	37.3/48.5
R989	7030020800	S.RES MCR006YLPJ 100 (10)	B	32.3/47.9
R990	7030020800	S.RES MCR006YLPJ 100 (10)	B	26.0/51.8
R991	7030020800	S.RES MCR006YLPJ 100 (10)	B	26.0/53.0
R992	7030020800	S.RES MCR006YLPJ 100 (10)	B	26.0/52.4
R993	7030020800	S.RES MCR006YLPJ 100 (10)	B	33.5/46.2
R994	7030020800	S.RES MCR006YLPJ 100 (10)	B	28.9/57.7
R995	7030020800	S.RES MCR006YLPJ 100 (10)	B	23.7/58.8
R996	7030020800	S.RES MCR006YLPJ 100 (10)	B	29.0/44.3
R997	7030020800	S.RES MCR006YLPJ 100 (10)	B	28.4/43.5
R998	7030020800	S.RES MCR006YLPJ 100 (10)	B	34.5/46.2
R999	7030020830	S.RES MCR006YLPJ 103 (10 k)	B	31.3/42.9
R1000	7030020800	S.RES MCR006YLPJ 100 (10)	B	26.0/42.5
R1001	7030020800	S.RES MCR006YLPJ 100 (10)	B	26.7/42.5
R1002	7030020800	S.RES MCR006YLPJ 100 (10)	B	26.9/47.9
R1003	7030020800	S.RES MCR006YLPJ 100 (10)	B	26.0/50.0
R1004	7030020800	S.RES MCR006YLPJ 100 (10)	B	37.3/47.9
R1005	7030020800	S.RES MCR006YLPJ 100 (10)	B	32.7/46.2
R1006	7030020830	S.RES MCR006YLPJ 103 (10 k)	B	31.5/47.9
R1007	7030020800	S.RES MCR006YLPJ 100 (10)	B	24.1/47.2
R1008	7030020800	S.RES MCR006YLPJ 100 (10)	B	26.0/49.4
R1009	7030020800	S.RES MCR006YLPJ 100 (10)	B	35.1/46.2
R1010	7030020800	S.RES MCR006YLPJ 100 (10)	B	33.9/47.9
R1011	7030020800	S.RES MCR006YLPJ 100 (10)	B	31.9/46.2
R1012	7030020800	S.RES MCR006YLPJ 100 (10)	B	35.5/57.6
R1013	7030020800	S.RES MCR006YLPJ 100 (10)	B	34.7/57.9
R1014	7030020800	S.RES MCR006YLPJ 100 (10)	B	33.8/57.9
R1015	7030020800	S.RES MCR006YLPJ 100 (10)	B	32.2/57.7
R1016	7030020800	S.RES MCR006YLPJ 100 (10)	B	31.6/57.7
R1017	7030020800	S.RES MCR006YLPJ 100 (10)	B	31.0/57.7
R1018	7030020800	S.RES MCR006YLPJ 100 (10)	B	29.5/57.7
R1019	7030020800	S.RES MCR006YLPJ 100 (10)	B	24.1/58.1
R1020	7030020800	S.RES MCR006YLPJ 100 (10)	B	24.1/57.5
R1021	7030020800	S.RES MCR006YLPJ 100 (10)	B	35.0/59.5
R1022	7030020800	S.RES MCR006YLPJ 100 (10)	B	32.2/59.5
R1023	7030020800	S.RES MCR006YLPJ 100 (10)	B	31.6/59.6
R1024	7030020800	S.RES MCR006YLPJ 100 (10)	B	30.1/58.8
R1025	7030020800	S.RES MCR006YLPJ 100 (10)	B	28.0/57.3
R1026	7030020800	S.RES MCR006YLPJ 100 (10)	B	24.1/56.9
R1027	7030020800	S.RES MCR006YLPJ 100 (10)	B	37.7/58.5
R1028	7030020800	S.RES MCR006YLPJ 100 (10)	B	34.3/59.5
R1029	7030020800	S.RES MCR006YLPJ 100 (10)	B	33.2/60.1
R1030	7030020800	S.RES MCR006YLPJ 100 (10)	B	28.5/62.4
R1031	7030020800	S.RES MCR006YLPJ 100 (10)	B	44.3/55.4
R1032	7030020800	S.RES MCR006YLPJ 100 (10)	B	36.8/57.8
R1033	7030020800	S.RES MCR006YLPJ 100 (10)	B	34.3/61.9
R1034	7030020800	S.RES MCR006YLPJ 100 (10)	B	31.6/62.0
R1035	7030020800	S.RES MCR006YLPJ 100 (10)	B	30.4/57.7
R1036	7030020800	S.RES MCR006YLPJ 100 (10)	B	20.6/63.1

REF NO.	PART NO.	DESCRIPTION	M.	H/V LOCATION
R1037	7030020820	S.RES MCR006YLPJ 102 (1 k)	B	24.1/56.3
R1038	7030020800	S.RES MCR006YLPJ 100 (10)	B	24.1/55.1
R1039	7030020820	S.RES MCR006YLPJ 102 (1 k)	B	26.0/54.7
R1040	7030020800	S.RES MCR006YLPJ 100 (10)	B	44.9/55.4
R1041	7030020800	S.RES MCR006YLPJ 100 (10)	B	24.1/54.3
R1042	7030020800	S.RES MCR006YLPJ 100 (10)	B	26.0/53.9
R1043	7030020800	S.RES MCR006YLPJ 100 (10)	B	24.1/53.5
R1044	7030020800	S.RES MCR006YLPJ 100 (10)	B	20.7/68.3
R1045	7030020800	S.RES MCR006YLPJ 100 (10)	B	43.9/52.0
R1046	7030020800	S.RES MCR006YLPJ 100 (10)	B	23.5/61.7
R1047	7030020800	S.RES MCR006YLPJ 100 (10)	B	44.0/51.4
R1050	7030020800	S.RES MCR006YLPJ 100 (10)	B	24.1/46.6
R1053	7030015970	S.RES RMC1/16S-103JTH (10 k)	T	14.7/11.9
R1054	7030015970	S.RES RMC1/16S-103JTH (10 k)	T	15.0/18.6
R1055	7030015970	S.RES RMC1/16S-103JTH (10 k)	T	15.0/10.2
R1056	7030015970	S.RES RMC1/16S-103JTH (10 k)	T	14.6/17.0
R1057	7030016150	S.RES RMC1/16S-102JTH (1 k)	B	41.0/40.6
R1059	7030016560	S.RES RMC1/16SJPTH Only [#11]	T	29.7/96.2
R1060	7030016560	S.RES RMC1/16SJPTH Only [#11]	T	16.6/13.6
R1061	7210003820	VAR TP76D190E20-20.5F-10KB-3699	B	40.3/89.6
R1062	7030016560	S.RES RMC1/16SJPTH	B	
R1063	7030015970	S.RES RMC1/16S-103JTH (10 k) Only [#11]	T	21.8/15.1
R1064	7030016560	S.RES RMC1/16SJPTH	T	13.7/4.9
R1065	7030016560	S.RES RMC1/16SJPTH	T	13.7/7.7
R1066	7030016560	S.RES RMC1/16SJPTH	T	11.3/3.6
R1067	7030016560	S.RES RMC1/16SJPTH	T	12.6/10.5
R1068	7030016560	S.RES RMC1/16SJPTH	T	10.3/3.6
R1069	7030016560	S.RES RMC1/16SJPTH	T	5.6/21.3
R1070	7030016560	S.RES RMC1/16SJPTH	T	9.4/4.5
R1071	7030016560	S.RES RMC1/16SJPTH	T	5.4/17.4
R1072	7030016560	S.RES RMC1/16SJPTH	T	8.2/3.9
R1073	7030016560	S.RES RMC1/16SJPTH	T	13.7/6.7
R1074	7030016020	S.RES RMC1/16S-104JTH (100 k)	B	28.5/46.5
R1075	7030020800	S.RES MCR006YLPJ 100 (10)	B	37.3/51.2
R1076	7030020800	S.RES MCR006YLPJ 100 (10)	B	30.9/47.9
R1077	7030016560	S.RES RMC1/16SJPTH Only [#11]	T	32.4/20.7
R1078	7030016090	S.RES RMC1/16S-223JTH (22 k)	B	30.9/16.4
R1079	7030016290	S.RES RMC1/16S-222JTH (2.2 k)	B	38.0/29.0
R1081	7030016060	S.RES RMC1/16S-105JTH (1 M)	B	33.5/63.6
R1082	7030016050	S.RES RMC1/16S-102JTH (1 k)	B	36.6/42.0
R1083	7030016110	S.RES RMC1/16S-473JTH (47 k)	B	23.2/46.4
R1084	7410001340	S.ARR EXB28V473JX	B	25.3/45.0
R1085	7030020830	S.RES MCR006YLPJ 103 (10 k) [#21]	B	45.2/50.3
R1086	7030020830	S.RES MCR006YLPJ 103 (10 k) [#21]	B	45.2/51.4
R1087	7030016320	S.RES RMC1/16S-225JTH (2.2 M)	B	33.2/64.8
R1088	7030016240	S.RES RMC1/16S-684JTH (680 k)	B	31.9/64.1
R1089	7030016110	S.RES RMC1/16S-473JTH (47 k)	B	25.2/63.3
R1090	7030016000	S.RES RMC1/16S-823JTH (82 k) Only [#11]	B	5.4/18.4
R1091	7030016040	S.RES RMC1/16S-224JTH (220 k) Only [#11]	B	9.0/17.1
R1092	7030016050	S.RES RMC1/16S-102JTH (1 k) Only [#11]	B	42.4/8.0
R1093	7030016410	S.RES RMC1/16S-561JTH (560) Only [#11]	B	41.9/6.8
R1097	7030016020	S.RES RMC1/16S-104JTH (100 k)	B	28.9/15.6
R1098	7030016020	S.RES RMC1/16S-104JTH (100 k)	B	40.5/30.0
C1	4030021240	S.CER C1005 JB 1C 105K-T	T	23.6/17.9
C2	4030021240	S.CER C1005 JB 1C 105K-T	T	24.1/16.5
C5	4030021240	S.CER C1005 JB 1C 105K-T	B	32.7/8.2
C6	4030021240	S.CER C1005 JB 1C 105K-T	B	30.6/8.7
C7	4030021240	S.CER C1005 JB 1C 105K-T	B	33.2/9.4
C8	4030023090	S.CER 0402B102K500CT	B	24.7/70.4
Eqv.	4030026210	S.CER MG15B102K500CT		
C16	4030023090	S.CER 0402B102K500CT	Only [#11]	18.3/17.9
Eqv.	4030026210	S.CER MG15B102K500CT	Only [#11]	
C18	4030022640	S.CER 0402N101J500CT	Only [#11]	28.5/7.3
Eqv.	4030026140	S.CER MG15		

The underlined parts have been updated from the addendum of the previous version, or from the original page.

[LOGIC UNIT] (for [#11], [#21], and [#31])

REF NO.	PART NO.	DESCRIPTION	M.	H/V LOCATION
C113	4550008210	S.TAN 267M3502 104MR	Only [#11]	B 18.2/20.1
C114	4550008210	S.TAN 267M3502 104MR	Only [#11]	B 8.0/2.0
C115	4550008210	S.TAN 267M3502 104MR	Only [#11]	B 8.0/4.1
C116	4030023090	S.CER 0402B102K500CT	Only [#11]	B 11.2/15.0
Eqv.	4030026210	S.CER MG15B102K500CT	Only [#11]	
C121	4030023030	S.CER 0402B103K250CT	Only [#11]	B 23.0/12.0
Eqv.	4030026200	S.CER MG15B103K250CT	Only [#11]	
C122	4030019560	S.CER GRM21BB31C106KE15L	Only [#11]	B 18.8/11.0
C123	4030023090	S.CER 0402B102K500CT		B 24.6/31.5
Eqv.	4030026210	S.CER MG15B102K500CT		
C125	4550007520	S.TAN F931A106MAABMA		B 4.4/12.2
Eqv.	4550009370	S.TAN 267E1002106MR533	Only [#11]	
C155	4030023090	S.CER 0402B102K500CT		T 11.8/2.4
Eqv.	4030026210	S.CER MG15B102K500CT		
C156	4030023090	S.CER 0402B102K500CT		T 13.5/10.5
Eqv.	4030026210	S.CER MG15B102K500CT		
C157	4030023090	S.CER 0402B102K500CT		T 13.7/4.0
Eqv.	4030026210	S.CER MG15B102K500CT		
C158	4030023090	S.CER 0402B102K500CT		T 14.1/8.9
Eqv.	4030026210	S.CER MG15B102K500CT		
C159	4030023090	S.CER 0402B102K500CT		T 9.9/2.4
Eqv.	4030026210	S.CER MG15B102K500CT		
C161	4030023090	S.CER 0402B102K500CT		T 35.9/25.5
Eqv.	4030026210	S.CER MG15B102K500CT		
C600	4030023030	S.CER 0402B103K250CT	Only [#11]	B 21.5/10.8
Eqv.	4030026200	S.CER MG15B103K250CT	Only [#11]	
C629	4030023010	S.CER 0402B104K160CT	Only [#11]	B 24.8/26.6
Eqv.	4030026220	S.CER MG15B104K160CT	Only [#11]	
C630	4030022640	S.CER 0402N101J500CT	Only [#11]	B 19.3/90.9
Eqv.	4030026140	S.CER MG15N101J500CT	Only [#11]	
C631	4050000380	S.FEE NFM15PC104R1A3D	Only [#11]	B 18.2/89.2
C632	4050000380	S.FEE NFM15PC104R1A3D	Only [#11]	B 33.6/94.1
C633	4030019560	S.CER GRM21BB31C106KE15L	Only [#11]	B 33.7/92.4
C634	4030023090	S.CER 0402B102K500CT	Only [#11]	B 32.6/94.0
Eqv.	4030026210	S.CER MG15B102K500CT	Only [#11]	
C637	4030023090	S.CER 0402B102K500CT	Only [#11]	B 28.7/88.4
Eqv.	4030026210	S.CER MG15B102K500CT	Only [#11]	
C638	4030023090	S.CER 0402B102K500CT	Only [#11]	B 19.2/84.1
Eqv.	4030026210	S.CER MG15B102K500CT	Only [#11]	
C639	4030023090	S.CER 0402B102K500CT	Only [#11]	B 22.5/79.2
Eqv.	4030026210	S.CER MG15B102K500CT	Only [#11]	
C640	4030023090	S.CER 0402B102K500CT	Only [#11]	B 29.9/87.9
Eqv.	4030026210	S.CER MG15B102K500CT	Only [#11]	
C641	4030023090	S.CER 0402B102K500CT	Only [#11]	B 18.3/84.1
Eqv.	4030026210	S.CER MG15B102K500CT	Only [#11]	
C642	4030023090	S.CER 0402B102K500CT	Only [#11]	B 19.6/78.7
Eqv.	4030026210	S.CER MG15B102K500CT	Only [#11]	
C643	4050000380	S.FEE NFM15PC104R1A3D	Only [#11]	T 20.1/13.2
C645	4030021240	S.CER C1005 JB 1C 105K-T		B 36.3/40.2
C648	4030022540	S.CER 0402N3R0B500CT		T 25.0/16.5
C649	4030022540	S.CER 0402N3R0B500CT		T 23.6/18.8
C650	4030023010	S.CER 0402B104K160CT	Only [#11]	B 40.4/5.5
Eqv.	4030026220	S.CER MG15B104K160CT	Only [#11]	
C651	4030019560	S.CER GRM21BB31C106KE15L	Only [#11]	B 36.7/7.1
C652	4030022640	S.CER 0402N101J500CT	Only [#11]	B 39.0/3.3
Eqv.	4030026140	S.CER MG15N101J500CT	Only [#11]	
C653	4030023010	S.CER 0402B104K160CT	Only [#11]	B 42.2/5.1
Eqv.	4030026220	S.CER MG15B104K160CT	Only [#11]	
C654	4030023090	S.CER 0402B102K500CT	Only [#11]	B 41.3/89.6
Eqv.	4030026210	S.CER MG15B102K500CT	Only [#11]	
C655	4030023090	S.CER 0402B102K500CT		B 39.3/89.6
Eqv.	4030026210	S.CER MG15B102K500CT		
C656	4030023090	S.CER 0402B102K500CT		B 38.3/89.7
Eqv.	4030026210	S.CER MG15B102K500CT		
C657	4030023090	S.CER 0402B102K500CT		B 42.3/89.6
Eqv.	4030026210	S.CER MG15B102K500CT		
C659	4030023010	S.CER 0402B104K160CT		B 28.6/10.3
Eqv.	4030026220	S.CER MG15B104K160CT		
C660	4030023010	S.CER 0402B104K160CT		B 34.2/30.5
Eqv.	4030026220	S.CER MG15B104K160CT		
C661	4030019560	S.CER GRM21BB31C106KE15L		B 43.4/44.6
C662	4030021520	S.CER GRM31CB31H106KA12L		T 31.4/24.4
C663	4030021520	S.CER GRM31CB31H106KA12L		T 32.4/28.2
C664	4030021520	S.CER GRM31CB31H106KA12L		T 32.4/30.4
C666	4030023010	S.CER 0402B104K160CT		T 33.3/22.3
Eqv.	4030026220	S.CER MG15B104K160CT		
C667	4030023010	S.CER 0402B104K160CT		T 33.7/23.8
Eqv.	4030026220	S.CER MG15B104K160CT		
C669	4030022630	S.CER 0402N100C500CT		B 37.1/54.5
C670	4030022520	S.CER 0402N1R0B500CT		B 42.0/53.9
C671	4030022640	S.CER 0402N101J500CT		B 42.1/56.8
Eqv.	4030026140	S.CER MG15N101J500CT		
C672	4030023010	S.CER 0402B104K160CT		B 39.3/58.5
Eqv.	4030026220	S.CER MG15B104K160CT		
C674	4030023030	S.CER 0402B103K250CT		B 26.9/68.8
Eqv.	4030026200	S.CER MG15B103K250CT		
C677	4030022940	S.CER 0402B104K100CT		B 27.5/43.2
Eqv.	4030026190	S.CER MG15B104K100CT		
C678	4030023090	S.CER 0402B102K500CT		B 31.5/41.9
Eqv.	4030026210	S.CER MG15B102K500CT		
C679	4030023090	S.CER 0402B102K500CT		B 37.1/56.1
Eqv.	4030026210	S.CER MG15B102K500CT		
C680	4030023090	S.CER 0402B102K500CT		B 36.2/56.2
Eqv.	4030026210	S.CER MG15B102K500CT		
C681	4030022940	S.CER 0402B104K100CT		B 35.3/56.2
Eqv.	4030026190	S.CER MG15B104K100CT		
C682	4030023000	S.CER 0402B683K100CT		B 22.8/65.8

REF NO.	PART NO.	DESCRIPTION	M.	H/V LOCATION
C683	4030022940	S.CER 0402B104K100CT		B 24.1/68.2
Eqv.	4030026190	S.CER MG15B104K100CT		
C684	4030023010	S.CER 0402B104K160CT		B 36.2/54.5
Eqv.	4030026220	S.CER MG15B104K160CT		
C687	4030023010	S.CER 0402B104K160CT		B 25.2/36.6
Eqv.	4030026220	S.CER MG15B104K160CT		
C688	4030019560	S.CER GRM21BB31C106KE15L		B 23.8/36.4
C689	4030023090	S.CER 0402B102K500CT		B 29.0/27.2
Eqv.	4030026210	S.CER MG15B102K500CT		
C693	4030022940	S.CER 0402B104K100CT		T 16.4/15.5
Eqv.	4030026190	S.CER MG15B104K100CT		
C694	4030023090	S.CER 0402B102K500CT	Only [#11]	B 18.8/82.1
Eqv.	4030026210	S.CER MG15B102K500CT	Only [#11]	
C695	4030023010	S.CER 0402B104K160CT		T 18.8/7.4
Eqv.	4030026220	S.CER MG15B104K160CT		
C696	4030023010	S.CER 0402B104K160CT		T 15.9/11.4
Eqv.	4030026220	S.CER MG15B104K160CT		
C698	4030023010	S.CER 0402B104K160CT		B 39.9/47.0
Eqv.	4030026220	S.CER MG15B104K160CT		
C699	4030023010	S.CER 0402B104K160CT		B 43.2/42.2
Eqv.	4030026220	S.CER MG15B104K160CT		
C700	4030023090	S.CER 0402B102K500CT		B 44.2/42.2
Eqv.	4030026210	S.CER MG15B102K500CT		
C701	4030023090	S.CER 0402B102K500CT		B 25.7/33.6
Eqv.	4030026210	S.CER MG15B102K500CT		
C703	4030023000	S.CER 0402B683K100CT	Only [#11]	T 21.7/11.2
C704	4030023090	S.CER 0402B102K500CT	Only [#11]	T 22.8/17.0
Eqv.	4030026210	S.CER MG15B102K500CT	Only [#11]	
C705	4030023090	S.CER 0402B102K500CT	Only [#11]	T 24.9/13.7
Eqv.	4030026210	S.CER MG15B102K500CT	Only [#11]	
C708	4030023090	S.CER 0402B102K500CT		T 26.6/20.9
Eqv.	4030026210	S.CER MG15B102K500CT		
C709	4030021240	S.CER C1005 JB 1C 105K-T		B 36.3/4.4
C711	4030023090	S.CER 0402B102K500CT		B 39.1/33.8
Eqv.	4030026210	S.CER MG15B102K500CT		
C712	4030022920	S.CER 0402N820J500CT		B 31.1/45.6
C713	4030022920	S.CER 0402N820J500CT		B 24.5/42.4
C714	4030020000	S.CER C1005 JB 1A 105K-T		B 31.3/65.3
C715	4030023820	S.CER 0603B104K250CT		B 26.7/63.6
Eqv.	4030026170	S.CER MG18B104K250CT		
C716	4030023210	S.CER 0402B472K500CT		B 34.1/64.8
C717	4030023210	S.CER 0402B472K500CT		B 26.9/58.1
C718	4030023210	S.CER 0402B472K500CT		B 31.5/27.6
C719	4030023210	S.CER 0402B472K500CT		B 40.0/18.9
C720	4550008210	S.TAN 267M3502 104MR	Only [#11]	B 5.8/15.6
C721	4550008210	S.TAN 267M3502 104MR	Only [#11]	B 9.1/20.4
C722	4030021240	S.CER C1005 JB 1C 105K-T		B 34.5/15.4
C723	4030021240	S.CER C1005 JB 1C 105K-T		B 26.5/72.0
C724	4030023090	S.CER 0402B102K500CT		B 35.9/58.6
Eqv.	4030026210	S.CER MG15B102K500CT		
J1	6510030220	S.CON 50RF-JMCS-G-1B-TF (N) (LF) (SN)		B 35.5/23.0
J2	6510031390	S.CON 15FXVL-RSM1-GAN-TF-1(HF)		T 9.4/7.9
J3	6510023480	S.CON AYU1-1P-02676-120-TF		B 23.2/96.1
J4	6510031380	S.CON 31FXVL-RSM1-GAN-TF-1 (HF)	Only [#11]	T 24.4/24.8
DS2	5040003550	S.LED NSSW208T		T 13.8/35.5
DS3	5040003550	S.LED NSSW208T		T 24.8/35.5
DS4	5040003550	S.LED NSSW208T		T 35.8/35.5
DS5	5030004360	LCD TM128160D1CIWUGND		
S23	2260003320	S.SWI SKRTLAE010		B 2.1/83.2
S24	2260003320	S.SWI SKRTLAE010		B 2.1/44.4
S25	2260003320	S.SWI SKRTLAE010		B 2.1/34.4
EP3	6910023920	S.BEA BLM15GA750SN1D	Only [#11]	B 38.5/16.4
EP4	6910023920	S.BEA BLM15GA750SN1D	Only [#11]	B 36.9/15.3
EP9	6910020610	S.BEA BLM15BD102SN1D	Only [#11]	B 18.4/90.9
EP10	6910020610	S.BEA BLM15BD102SN1D		T 34.7/22.6
EP11	6910020610	S.BEA BLM15BD102SN1D		T 30.8/20.7
EP12	6910020610	S.BEA BLM15BD102SN1D		T 25.0/21.2
EP13	6910020610	S.BEA BLM15BD102SN1D		T 17.7/28.7
EP14	6910020610	S.BEA BLM15BD102SN1D		T 23.2/21.2
EP16	6910020610	S.BEA BLM15BD102SN1D		T 17.7/27.8
EP19	6910020610	S.BEA BLM15BD102SN1D		T 22.3/21.2

Eqv.= This component is equivalent to the REF No. component listed above, and may be substituted on parts orders and repairs.

M.=Mounted side (T: Mounted on the Top side, B: Mounted on the Bottom side) H/V LOCATION= Shows mounting location on the PCB.

The underlined parts have been updated from the addendum of the previous version, or from the original page.

[MAIN UNIT] (for [#11], [#21], and [#31])

REF NO.	PART NO.	DESCRIPTION	M.	H/V LOCATION	REF NO.	PART NO.	DESCRIPTION	M.	H/V LOCATION
IC1	1110007300	S.IC NJM2552V-TE1	B	35.6/72.6	D30	1750001810	S.DIO L1SS400T1G	T	34.3/17.6
IC2	1130009981	S.IC TC7W53FK (TE85LF)	B	33.1/63.1	D31	1750001810	S.DIO L1SS400T1G	T	18.4/109.1
IC5	1130011760	S.IC CD4094BPWR	B	39.9/44.3	D36	1750001810	S.DIO L1SS400T1G	B	42.2/112.7
IC14	1110006490	S.IC LMV321IDCKR	T	7.7/69.0	D38	1750001771	S.VAR 1SV323H3F	T	19.4/41.5
IC22	1110006490	S.IC LMV321IDCKR	B	23.9/64.7	D40	1750002170	S.DIO DB2S31400L	B	27.3/69.9
IC24	1130007021	S.IC TC7566FU (TE85LF)	B	41.0/79.3	D44	1790001622	S.DIO 1SV308L3F	B	13.2/102.3
IC25	1110006490	S.IC LMV321IDCKR	B	21.3/70.5	D45	1750001771	S.VAR 1SV323H3F	T	11.5/40.1
IC203	1130017460	S.IC AK1542A-L	B	29.7/44.6	D46	1750001771	S.VAR 1SV323H3F	T	12.2/38.0
IC215	1110007630	S.IC NJM2783V-TE1	T	41.5/30.8	D48	1750001771	S.VAR 1SV323H3F	T	19.4/40.2
IC216	1110007291	S.IC AK2330P7-L	T	24.7/60.1	D49	1750001800	S.DIO RB886CS T2RA	T	12.0/113.6
IC219	1130007021	S.IC TC7566FU (TE85LF)	B	22.3/46.2	D50	1720000702	S.VAR 1SV305H3F	B	28.0/105.4
IC220	1110007291	S.IC AK2330P7-L	T	28.4/37.4	D51	1750001800	S.DIO RB886CS T2RA	T	12.0/112.5
IC221	1110008450	S.IC ISD8102SYI T&R	B	30.6/26.5	D52	1750001810	S.DIO L1SS400T1G	B	36.0/86.2
IC222	1110008550	S.IC NJM2904CRB1-TE1	B	24.9/59.2	D55	1750001790	S.DIO 1SS390 TE61	B	28.9/80.3
IC223	1110008550	S.IC NJM2904CRB1-TE1	B	9.9/30.9	D56	1750001790	S.DIO 1SS390 TE61	B	26.1/92.2
IC224	1110008550	S.IC NJM2904CRB1-TE1	B	10.0/25.6	D57	1750001790	S.DIO 1SS390 TE61	B	27.1/81.3
IC225	1110008550	S.IC NJM2904CRB1-TE1	B	10.0/21.1	D58	1750001790	S.DIO 1SS390 TE61	B	28.9/90.4
IC226	1110008550	S.IC NJM2904CRB1-TE1	B	10.0/15.8	D59	1750001800	S.DIO RB886CS T2RA	B	40.3/85.4
IC228	1130009981	S.IC TC7W53FK (TE85LF)	B	10.5/11.8	D62	1750002170	S.DIO DB2S31400L	T	31.5/70.7
IC229	1110008680	S.IC NJU72341V-TE2	T	38.6/39.5	D66	1750000520	S.DIO DAN222TL	T	31.3/62.7
IC231	1130009981	S.IC TC7W53FK (TE85LF)	T	42.3/48.4	D67	1750001810	S.DIO L1SS400T1G	T	31.7/119.3
IC232	1110008550	S.IC NJM2904CRB1-TE1	T	44.5/41.7	D68	1750001690	S.DIO RB050LA-40	T	27.9/119.4
IC233	1110006490	S.IC LMV321IDCKR	B	11.9/5.8	D71	1790002830	S.ZEN DZ2J051M0L	B	40.9/26.6
IC234	6910026630	S.DC XC92603B75DER-G	B	30.6/8.3	D72	17300002160	S.VAR TPD1E10B06DPYR	B	42.3/96.0
IC235	1110008550	S.IC NJM2904CRB1-TE1	T	17.6/15.9	D74	1750001800	S.DIO RB886CS T2RA	T	44.8/37.4
IC238	1180004760	S.REG S-1200B33-M5T1U	T	30.3/89.2	D78	1750001810	S.DIO L1SS400T1G	T	21.0/96.5
IC239	1180004420	S.REG NJM2830U1-08-TE1	T	10.4/18.2	D80	1750001810	S.DIO L1SS400T1G	T	26.9/11.0
IC240	1180005110	S.REG NJM2836DL3-05-TE1	T	29.3/96.4	D81	1750001810	S.DIO L1SS400T1G	T	24.2/11.0
IC241	1130007021	S.IC TC7566FU (TE85LF) Only [#11]	B	21.3/68.0	D82	1750001810	S.DIO L1SS400T1G	T	14.2/19.1
					D83	1750001810	S.DIO L1SS400T1G	T	30.7/91.6
					D85	17900002160	S.VAR TPD1E10B06DPYR	T	28.2/122.1
Q2	1560002350	S.FET RD12MVS1-T214	T	13.0/83.6	D86	1790001622	S.DIO 1SV308L3F	B	30.3/77.2
Q3	1560002420	S.FET RD01MUS2B-T513	T	12.3/74.7	D87	1750001810	S.DIO L1SS400T1G	T	24.2/9.8
Q4	1530004100	S.TRA MT3S20P (TE12LF)	B	11.6/65.4	D88	1750001810	S.DIO L1SS400T1G	T	26.8/9.8
Q7	1520000201	S.TRA 2SB798-T1-AZ DK	T	17.0/59.1	D89	1750001790	S.DIO 1SS390 TE61	T	36.5/68.6
Q8	1590004410	S.TRA DMC5011010R	T	12.9/59.8	D90	1750001790	S.DIO 1SS390 TE61	T	30.4/85.7
Q11	1580000731	S.FET 3SK293 (TE85LF)	B	30.0/106.2	D91	1750001810	S.DIO L1SS400T1G	T	33.2/70.8
Q12	1580000731	S.FET 3SK293 (TE85LF)	B	27.8/96.9	D92	1750001810	S.DIO L1SS400T1G	T	33.2/73.3
Q13	1530002381	S.TRA 2SC4215-Y (TE85LF)	B	27.4/78.3	D93	1750002170	S.DIO DB2S31400L	T	23.8/85.7
Q20	1590004300	S.TRA DRA9114T0L	B	36.2/60.1	D94	1750002170	S.DIO DB2S31400L	B	27.7/90.5
Q21	1590004100	S.TRA LDTC144EET1G	B	29.3/61.3					
Q25	1520000201	S.TRA 2SB798-T1-AZ DK	T	44.2/113.7	F11	2030000970	S.MON FL-455 (46.35 MHz)	B	23.4/86.8
Q26	1590004330	S.TRA DRC9114E0L	T	31.5/105.3	F12	2020002720	S.CER LTWC450D	T	28.1/79.0
Q28	1530003322	S.TRA 2SC5108-YLF	B	11.3/53.4	F13	2030000860	S.MON FL-439 (46.350 MHz)	B	30.2/85.7
Q29	1530003322	S.TRA 2SC5108-YLF	B	12.4/48.4	F14	2020002520	S.CER LTWC450H	T	41.1/77.1
Q33	1530002851	S.TRA 2SC4116-BL (TE85RF)	B	6.2/52.5	F15	2020002770	S.CER LTUCG450C	T	38.7/86.0
Q35	1520000651	S.TRA 2SB1201S-TL-E	T	16.1/26.9					
Q36	1590004410	S.TRA DMC5011010R	B	20.9/26.1	X1	6070000300	S.DIS JTBM450CX24	T	42.1/63.4
Q50	1510001151	S.TRA L2SA1576AST1G	B	42.5/115.6	X2	6050013940	S.XTA CR-994 (12.8 MHz)	B	32.8/38.8
Q52	1590004530	S.TRA DMG564050R	T	37.5/27.8	X203	6050013930	S.XTA CR-993 (15.3 MHz)	B	42.5/65.4
Q53	1590004070	S.TRA LDTC144EET1G	B	25.9/71.5	L2	6200013110	S.COI 0.35-1.6-9TL 52.0N	T	8.6/115.9
Q54	1590004050	S.TRA LDTC144EET1G	T	33.8/68.6	L3	6200013110	S.COI 0.35-1.6-9TL 52.0N	T	9.2/111.0
Q57	1590004520	S.TRA DMA561030R	B	13.6/45.6	L4	6200004480	S.COI MLF1608D R82K-T	T	6.0/105.0
Q58	1530004610	S.TRA 2SC5086-OLF	T	17.7/47.5	L5	6200012460	S.COI 0.30-1.7-8TL 54N	T	9.8/101.2
Q59	1530004610	S.TRA 2SC5086-OLF	T	10.6/46.9	L6	6200012850	S.COI 0.40-0.8-2TL 2.5N	T	8.1/90.2
Q60	1530003322	S.TRA 2SC5108-YLF	T	14.3/49.3	L7	6200013030	S.COI 0.35-1.6-8TL 31.0N	T	15.5/88.5
Q62	1530004190	S.TRA L2SC4617ST1G	B	43.4/71.2	L8	6200009280	S.COI LQW18AN27NG00D	T	11.0/78.0
Q66	1590004070	S.TRA LDTC144EET1G	B	40.1/56.7	L10	6200013800	S.COI MLK1005S39NJT	T	15.4/77.8
Q68	1590004070	S.TRA LDTC144EET1G	B	43.0/82.9	L11	6200013790	S.COI MLK1005S47NJT	T	15.5/71.2
Q121	1550000241	S.FET TPCF8107LF	T	21.7/122.8	L12	6200013780	S.COI MLK1005S56NJT	B	15.5/66.5
Q123	1550000241	S.FET TPCF8107LF	T	24.6/122.1	L15	6200012460	S.COI 0.30-1.7-8TL 54N	T	8.3/107.2
Q125	1560000531	S.FET 2SK880-GR (TE85RF)	B	22.5/41.6	L18	6200009890	S.COI C2012C-82NG-A	B	15.0/102.0
Q126	1590004070	S.TRA LDTC144EET1G	B	15.6/43.9	L21	6200009890	S.COI C2012C-82NG-A	B	33.8/104.6
Q128	1590004070	S.TRA LDTC144EET1G	T	30.7/60.7	L22	6200009930	S.COI C2012C-68NG-A	B	17.7/102.5
Q220	1590004070	S.TRA LDTC144EET1G	T	18.7/7.2	L23	6200009890	S.COI C2012C-82NG-A	B	33.3/100.5
Q223	1550000090	S.FET RSOQ35P03TR	T	32.2/11.4	L24	6200011090	S.COI C2012C-R56J-A	B	31.4/95.2
Q224	1590004070	S.TRA LDTC144EET1G	T	34.1/14.3	L25	6200004600	S.COI MLF1608D R15K-T	B	27.6/75.6
Q226	1590004070	S.TRA LDTC144EET1G	B	39.7/20.3	L38	6200014760	S.COI MLK1005SR22JT	B	13.0/54.6
Q232	1560001330	S.FET RSR025N03	T	36.5/23.0	L45	6200012910	S.COI 0.35-1.6-8TL 45.5N	T	11.1/119.6
Q233	1590004060	S.TRA LDTC114EET1G	T	34.9/26.1	L46	6200012870	S.COI 0.30-1.4-5TR 23.5N	T	10.6/94.2
Q234	1520000651	S.TRA 2SB1201S-TL-E	T	33.9/4.4	L56	6200013760	S.COI MLK1005S82NJT	B	8.4/61.7
Q235	1530002280	S.TRA 2SC4081 T106 S	T	25.9/12.9	L57	6200010540	S.COI C2012C-47NG-A	T	17.2/40.9
Q236	1590004070	S.TRA LDTC144EET1G	B	38.1/50.8	L58	6200003550	S.COI MLF1608A 4R7K-T	T	13.3/41.6
Q238	1590004070	S.TRA LDTC144EET1G	B	29.2/15.5	L63	6200011050	S.COI C2012C-R12G-A	T	20.4/44.8
Q239	1510000671	S.TRA 2SA1588-GR (TE85R F)	T	24.7/7.6	L64	6200011050	S.COI C2012C-R12G-A	T	8.9/42.4
Q240	1590004070	S.TRA LDTC144EET1G	T	22.0/6.9	L67	6200013760	S.COI MLK1005S82NJT	T	15.9/50.2
Q243	1590004070	S.TRA LDTC144EET1G	T	31.6/71.6	L69	6200009890	S.COI C2012C-82NG-A	B	21.6/102.8
Q245	1590004050	S.TRA LDTC144EET1G	T	31.3/31.0	L71	6200003640	S.COI MLF1608E 100K-T	T	8.8/40.2
Q246	1590004070	S.TRA LDTC144EET1G	T	33.5/31.0	L72	6200003640	S.COI MLF1608E 100K-T	T	21.2/40.8
					L85	6200004600	S.COI MLF1608D R15K-T	B	43.8/77.3
D1	1750000581	S.DIO 1SV307 (TPH3F)	T	5.4/19.4	L86	6200004590	S.COI MLF1608D R18K-T	B	41.7/76.7
D2	1750001800	S.DIO RB886CS T2RA	T	3.4/16.6	L87	6200003960	S.COI MLF1608A 1R0K-T	B	45.0/74.5
D4	1750001800	S.DIO RB886CS T2RA	T	3.9/12.1	L88	6200004590	S.COI MLF1608D R18K-T	B	41.8/72.8
D5	1750001800	S.DIO RB886CS T2RA	T	5.1/12.1	L91	6200003550	S.COI MLF1608A 4R7K-T	T	15.4/40.9
D6	1750001790	S.DIO 1SS390 TE61	T	5.1/9.6	L92	6200011050	S.COI C2012C-R12G-A	T	9.2/38.4
D8	1750000581	S.DIO 1SV307 (TPH3F)	T	10.3/110.7	L93	6200014370	S.COI MLF1005L 2R2K-T	B	26.3/91.2
D11	1750001790	S.DIO 1SS390 TE61	T	27.8/85.7	L94	6200014370	S.COI MLF1005L 2R2K-T	B	25.3/81.3
D12	1750001790	S.DIO 1SS390 TE61	T	37.4/71.0	L95	6200014370	S.COI MLF1005L 2R2K-T	B	31.0/79.2
D13	1720000702	S.VAR 1SV305H3F	B	19.9/103.3	L96	6200014370	S.COI MLF1005L 2R2K-T	B	32.4/91.3
D14	1790001622	S.DIO 1SV308L3F	B	11.8/108.5	L97	6200011650	S.COI LQW18AN68NG00D	B	25.3/95.7
D15	1720000702	S.VAR 1SV305H3F	B	31.2/102.2	L99	6200014260	S.COI LQM2MPN2R2NG0L	B	27.5/77.7
D16	1720000702	S.VAR 1SV305H3F	B	30.3/99.5	L100	6200014260	S.COI LQM2MPN2R2NG0L	B	37.0/7.4
D17	1750001790	S.DIO 1SS390 TE61	B	13.7/55.8					
D18	1750002170	S.DIO DB2S31400L	B	29.6/64.6	R2	7030015780	S.RES RMC1/10-331JTP (330)	T	12.3/107.0
D23	1790001980	S.DIO DA3S101F0L	T	32.2/109.1	R3	7030016900	S.RES RMC1/16S-223JTH (22 k)	T	9.5/67.1
D24	1750001790	S.DIO 1SS390 TE61	T	33.7/67.0	R4	7030015910	S.RES RMC1/16S-101JTH (100)	T	9.9/66.2
D25	1750001790	S.DIO 1SS390 TE61	T	37.3/66.8					
D27	1750001810	S.DIO L1SS400T1G	T	37.2/110.1					
D29	1790001622	S.DIO 1SV308L3F	B	12.8/104.9					

Eqv.= This component is equivalent to the REF No. component listed above, and may be substituted on parts orders and repairs.

M.=Mounted side (T: Mounted on the Top side, B: Mounted on the Bottom side)
H/V LOCATION= Shows mounting location on the PCB.

The underlined parts have been updated from the addendum of the previous version, or from the original page.

[MAIN UNIT] (for [#11], [#21], and [#31])

REF NO.	PART NO.	DESCRIPTION	M.	H/V LOCATION
R5	7030016020	S.RES RMC1/16S-104JTH (100 k)	T	6.8/71.8
R7	7030016290	S.RES RMC1/16S-222JTH (2.2 k)	T	14.6/104.2
R8	7030016290	S.RES RMC1/16S-222JTH (2.2 k)	T	13.5/97.2
R9	7030015780	S.RES RMC1/10-331JTP (330)	T	12.2/105.2
R10	7030015930	S.RES RMC1/16S-471JTH (470)	T	6.0/74.2
R11	7030016290	S.RES RMC1/16S-222JTH (2.2 k)	T	6.8/70.9
R12	7030016290	S.RES RMC1/16S-222JTH (2.2 k)	T	9.0/70.9
R13	7030016090	S.RES RMC1/16S-223JTH (22 k)	T	8.0/72.2
R14	7030015960	S.RES RMC1/16S-472JTH (4.7 k)	T	6.5/81.4
R15	7030015910	S.RES RMC1/16S-101JTH (100)	T	9.0/81.3
R16	7030015980	S.RES RMC1/16S-333JTH (33 k)	T	7.8/82.1
R17	7030016110	S.RES RMC1/16S-473JTH (47 k)	T	5.9/77.2
R18	7030015920	S.RES RMC1/16S-221JTH (220)	T	8.7/74.6
R19	7510001461	S.THR NTCG16 3NH 471JT	T	6.9/75.7
R20	7030015680	S.RES RMC1/10-150JTP (15)	B	16.1/64.0
R21	7030016050	S.RES RMC1/16S-102JTH (1 k)	B	7.7/63.9
R22	7030016050	S.RES RMC1/16S-102JTH (1 k)	B	13.7/63.0
R23	7030016150	S.RES RMC1/16S-100JTH (10)	B	7.0/65.3
R24	7030016170	S.RES RMC1/16S-560JTH (56)	B	9.6/60.5
R25	7030016270	S.RES RMC1/16S-151JTH (150)	B	11.0/59.4
R26	7030016170	S.RES RMC1/16S-560JTH (56)	B	9.6/58.0
R27	7030016510	S.RES RMC1/16S-4R7JTH (4.7)	T	15.5/72.8
R28	7030016080	S.RES RMC1/16S-822JTH (8.2 k)	T	11.8/57.9
R29	7030015950	S.RES RMC1/16S-152JTH (1.5 k)	T	10.1/58.8
R30	7030015970	S.RES RMC1/16S-103JTH (10 k)	B	11.9/57.6
R40	7030016330	S.RES RMC1/16S-153JTH (15 k)	T	10.1/57.9
R41	7030015930	S.RES RMC1/16S-471JTH (470)	B	13.9/105.3
R43	7030016040	S.RES RMC1/16S-224JTH (220 k)	B	19.9/100.5
R44	7030016000	S.RES RMC1/16S-823JTH (82 k)	B	32.7/106.7
R45	7030016110	S.RES RMC1/16S-473JTH (47 k)	B	31.8/106.7
R47	7030016500	S.RES RMC1/16S-562JTH (5.6 k)	B	13.9/107.3
R48	7030016540	S.RES RMC1/16SK334FTH (330 k)	B	36.2/106.7
R49	7030015900	S.RES RMC1/16S-470JTH (47)	B	33.9/107.1
R51	7030016370	S.RES RMC1/16S-271JTH (270)	B	30.5/103.9
R52	7030016050	S.RES RMC1/16S-102JTH (1 k)	B	33.8/102.4
R53	7030015910	S.RES RMC1/16S-101JTH (100)	B	10.0/107.4
R54	7030016040	S.RES RMC1/16S-224JTH (220 k)	B	28.7/101.4
R58	7030016040	S.RES RMC1/16S-224JTH (220 k)	B	29.6/98.5
R59	7030016030	S.RES RMC1/16S-154JTH (150 k)	B	33.6/96.9
R60	7030015990	S.RES RMC1/16S-683JTH (68 k)	B	33.6/98.0
R62	7030016390	S.RES RMC1/16S-184JTH (180 k)	B	25.3/93.6
R63	7030015990	S.RES RMC1/16S-683JTH (68 k)	B	23.2/93.8
R64	7030015910	S.RES RMC1/16S-101JTH (100)	B	30.9/92.8
R65	7030016180	S.RES RMC1/16S-680JTH (68)	B	26.4/94.7
R66	7030016050	S.RES RMC1/16S-102JTH (1 k)	B	33.1/95.0
R67	7030016560	S.RES RMC1/16SJPTH	B	33.9/106.2
R68	7030015960	S.RES RMC1/16S-472JTH (4.7 k)	B	25.4/79.2
R69	7030016050	S.RES RMC1/16S-102JTH (1 k)	B	26.0/75.2
R70	7030015960	S.RES RMC1/16S-472JTH (4.7 k)	B	25.2/80.1
R71	7030016050	S.RES RMC1/16S-102JTH (1 k)	T	4.0/67.8
R72	7030016220	S.RES RMC1/16S-563JTH (56 k)	B	34.0/65.7
R73	7030015970	S.RES RMC1/16S-103JTH (10 k)	B	29.9/68.1
R74	7030016150	S.RES RMC1/16S-100JTH (10)	B	39.1/78.9
R75	7030016040	S.RES RMC1/16S-224JTH (220 k)	B	4.0/61.2
R76	7030016020	S.RES RMC1/16S-104JTH (100 k)	B	31.2/73.1
R77	7030016050	S.RES RMC1/16S-102JTH (1 k)	B	34.0/68.1
R79	7030015970	S.RES RMC1/16S-103JTH (10 k)	B	30.3/71.5
R80	7030016020	S.RES RMC1/16S-104JTH (100 k)	B	28.2/71.8
R81	7030016290	S.RES RMC1/16S-222JTH (2.2 k)	B	27.3/68.1
R82	7030016070	S.RES RMC1/16S-474JTH (470 k)	B	30.8/70.2
R83	7030016090	S.RES RMC1/16S-223JTH (22 k)	B	40.6/82.1
R87	7030015910	S.RES RMC1/16S-101JTH (100)	T	41.7/68.3
R90	7030016040	S.RES RMC1/16S-224JTH (220 k)	B	29.9/66.9
R94	7030016560	S.RES RMC1/16SJPTH	B	29.9/70.2
R99	7030016110	S.RES RMC1/16S-473JTH (47 k)	B	28.9/66.9
R100	7030016000	S.RES RMC1/16S-823JTH (82 k)	B	27.7/66.4
R101	7030016100	S.RES RMC1/16S-334JTH (330 k)	B	30.2/65.6
R102	7030016320	S.RES RMC1/16S-225JTH (2.2 M)	B	30.2/63.3
R107	7030015780	S.RES RMC1/10-331JTP (330)	T	37.0/106.9
R108	7030015690	S.RES RMC1/10-180JTP (18)	T	33.5/106.5
R109	7030015970	S.RES RMC1/16S-103JTH (10 k)	B	31.8/107.4
R111	7030015970	S.RES RMC1/16S-103JTH (10 k)	B	9.6/57.1
R114	7030016370	S.RES RMC1/16S-271JTH (270)	B	13.6/57.1
R115	7030016090	S.RES RMC1/16S-223JTH (22 k)	B	13.0/53.7
R117	7030015920	S.RES RMC1/16S-221JTH (220)	B	11.6/50.8
R118	7030016130	S.RES RMC1/16S-150JTH (150)	T	10.7/50.7
R119	7030016050	S.RES RMC1/16S-102JTH (1 k)	B	15.9/50.0
R120	7030016110	S.RES RMC1/16S-473JTH (47 k)	B	13.1/50.2
R121	7030015910	S.RES RMC1/16S-101JTH (100)	B	15.0/48.8
R122	7030016170	S.RES RMC1/16S-560JTH (56)	B	26.7/41.0
R123	7030011000	S.RES RR0510P-392-D (3.9 k)	T	20.9/47.3
R124	7030011000	S.RES RR0510P-392-D (3.9 k)	T	8.8/46.3
R130	7030016290	S.RES RMC1/16S-222JTH (2.2 k)	B	4.4/52.9
R134	7030015930	S.RES RMC1/16S-471JTH (470)	B	23.6/44.2
R135	7030016480	S.RES RMC1/16S-821JTH (820)	B	29.5/47.1
R140	7030016020	S.RES RMC1/16S-104JTH (100 k)	B	29.7/20.2
R142	7030015640	S.RES RMC1/10JPTTP	T	18.5/31.3
R145	7030005820	S.RES RR0510P-103-D (10 k)	B	21.0/27.9
R147	7030005950	S.RES RR0510P-123-D (12 k)	B	19.8/28.3
R148	7030016050	S.RES RMC1/16S-102JTH (1 k)	B	19.1/26.5
R150	7030016020	S.RES RMC1/16S-104JTH (100 k)	B	21.6/23.4
R192	7030012260	S.RES ERJ2RKH 4703X (470 k)	T	35.5/16.1
Eqv.	7030016740	S.RES RMC1/16SK474DTH (470 k)		
R193	7030016750	S.RES RMC1/16SK124DTH (120 k)	T	34.7/19.6
R194	7030012260	S.RES ERJ2RKH 4703X (470 k)	T	19.9/109.9
Eqv.	7030016740	S.RES RMC1/16SK474DTH (470 k)		
R195	7030016750	S.RES RMC1/16SK124DTH (120 k)	B	17.3/109.4
R210	7030016560	S.RES RMC1/16SJPTH	B	33.3/23.2
R211	7030016390	S.RES RMC1/16S-184JTH (180 k)	B	28.0/58.0
R212	7030016110	S.RES RMC1/16S-473JTH (47 k)	B	27.8/56.8
R213	7030016340	S.RES RMC1/16S-393JTH (39 k)	B	29.6/56.6

REF NO.	PART NO.	DESCRIPTION	M.	H/V LOCATION
R214	7030016450	S.RES RMC1/16S-824JTH (820 k)	B	23.5/57.0
R219	7030015660	S.RES RMC1/10-2R7JTP (2.7)	T	11.2/79.6
R220	7030015930	S.RES RMC1/16S-471JTH (470)	B	40.8/117.2
R222	7030016040	S.RES RMC1/16S-224JTH (220 k)	B	42.7/115.2
R223	7030015970	S.RES RMC1/16S-103JTH (10 k)	B	44.3/113.8
R224	7030016330	S.RES RMC1/16S-153JTH (15 k)	B	44.5/113.1
R225	7030015970	S.RES RMC1/16S-103JTH (10 k)	B	37.7/26.3
R226	7030016090	S.RES RMC1/16S-223JTH (22 k)	T	35.6/101.7
R227	7030016050	S.RES RMC1/16S-102JTH (1 k)	T	39.4/44.1
R231	7030016560	S.RES RMC1/16SJPTH	T	37.1/32.8
R252	7030016560	S.RES RMC1/16SJPTH	B	25.5/44.4
R253	7030016490	S.RES RMC1/16S-391JTH (390)	B	24.6/44.4
R254	7030015960	S.RES RMC1/16S-472JTH (4.7 k)	B	10.9/44.2
R256	7030011920	S.RES RR0510P-561-D (560)	T	20.9/48.6
R258	7030008340	S.RES RR0510P-182-D (1.8 k)	T	17.8/46.1
R260	7030008340	S.RES RR0510P-182-D (1.8 k)	T	8.7/47.2
R262	7030011920	S.RES RR0510P-561-D (560)	T	14.0/44.7
R265	7030015930	S.RES RMC1/16S-471JTH (470)	T	18.3/50.3
R266	7030015990	S.RES RMC1/16S-683JTH (68 k)	T	17.1/49.3
R274	7030015930	S.RES RMC1/16S-471JTH (470)	B	33.0/68.4
R283	7030016390	S.RES RMC1/16S-184JTH (180 k)	B	29.6/57.5
R290	7030015900	S.RES RMC1/16S-470JTH (47)	T	43.7/68.3
R293	7030016000	S.RES RMC1/16S-823JTH (82 k)	B	35.2/106.7
R299	7030015640	S.RES RMC1/10JPTTP	T	17.2/79.6
R302	7030015970	S.RES RMC1/16S-103JTH (10 k)	T	11.8/100.9
R303	7030015970	S.RES RMC1/16S-103JTH (10 k)	T	13.2/101.6
R304	7030015970	S.RES RMC1/16S-103JTH (10 k)	T	12.0/114.7
R305	7030016290	S.RES RMC1/16S-222JTH (2.2 k)	T	13.6/113.0
R311	7030016040	S.RES RMC1/16S-224JTH (220 k)	B	27.8/103.3
R313	7030015900	S.RES RMC1/16S-470JTH (47)	B	10.3/51.4
R316	7030016090	S.RES RMC1/16S-223JTH (22 k)	B	33.6/57.5
R317	7030016110	S.RES RMC1/16S-473JTH (47 k)	B	31.5/56.6
R318	7030015970	S.RES RMC1/16S-103JTH (10 k)	B	32.7/58.4
R319	7030016110	S.RES RMC1/16S-473JTH (47 k)	B	33.6/56.6
R320	7030016300	S.RES RMC1/16S-332JTH (3.3 k)	T	7.6/83.8
R321	7510001661	S.THR NTCG16 4LH 473JT	T	7.4/85.2
R322	7030016190	S.RES RMC1/16S-273JTH (27 k)	T	6.7/83.8
R323	7030016440	S.RES RMC1/16S-272JTH (2.7 k)	T	6.4/82.5
R331	7030016050	S.RES RMC1/16S-102JTH (1 k)	T	7.1/76.7
R333	7030016190	S.RES RMC1/16S-273JTH (27 k)	T	8.5/77.5
R334	7030015970	S.RES RMC1/16S-103JTH (10 k)	B	32.0/41.4
R338	7030016000	S.RES RMC1/16S-823JTH (82 k)	T	9.2/119.6
R349	7030015640	S.RES RMC1/10JPTTP	B	39.6/88.5
R352	7030016270	S.RES RMC1/16S-151JTH (150)	B	32.2/80.6
R353	7030016560	S.RES RMC1/16SJPTH	B	31.2/90.8
R355	7030016240	S.RES RMC1/16S-684JTH (680 k)	B	45.1/72.3
R357	7030016050	S.RES RMC1/16S-102JTH (1 k)	B	45.1/77.8
R359	7030016050	S.RES RMC1/16S-102JTH (1 k)	B	21.5/39.7
R361	7030016090	S.RES RMC1/16S-223JTH (22 k)	B	27.0/82.6
R363	7030016090	S.RES RMC1/16S-223JTH (22 k)	B	28.8/93.4
R366	7030015910	S.RES RMC1/16S-101JTH (100)	B	23.5/81.7
R367	7030015910	S.RES RMC1/16S-101JTH (100)	B	22.8/91.8
R368	7030015970	S.RES RMC1/16S-103JTH (10 k)	B	14.7/54.7
R369	7030016050	S.RES RMC1/16S-102JTH (1 k)	B	25.6/76.4
R370	7030016050	S.RES RMC1/16S-102JTH (1 k)	B	12.2/102.0
R374	7030016330	S.RES RMC1/16S-153JTH (15 k)	B	39.5/77.2
R375	7030016360	S.RES RMC1/16S-123JTH (12 k)	T	27.1/87.2
R376	7030016330	S.RES RMC1/16S-153JTH (15 k)	B	37.0/66.6
R377	7030016360	S.RES RMC1/16S-123JTH (12 k)	T	39.4/71.7
R378	7030016270	S.RES RMC1/16S-151JTH (150)	B	15.4/57.9
R379	7030016470	S.RES RMC1/16S-390JTH (39)	B	14.5/57.9
R380	7030016270	S.RES RMC1/16S-151JTH (150)	B	15.9/59.1
R381	7030016050	S.RES RMC1/16S-102JTH (1 k)	B	29.0/73.1
R388	7030016360	S.RES RMC1/16S-123JTH (12 k)	T	43.3/71.3
R389	7030016360	S.RES RMC1/16S-123JTH (12 k)	T	28.5/69.3
R390	7030016050	S.RES RMC1/16S-102JTH (1 k)	T	31.1/68.1
R391	7030016060	S.RES RMC1/16S-105JTH (1 M)	B	33.3/36.5
R393	7030016450	S.RES RMC1/16S-824JTH (820 k)	B	29.4/37.6
R394	7030016400	S.RES RMC1/16S-564JTH (560 k)	B	30.8/37.6
R397	7030016560	S.RES RMC1/16SJPTH	B	24.3/95.7
R398	7030016020	S.RES RMC1/16S-104JTH (100 k)	B	26.5/66.3
R399	7030008270	S.RES RR0510P-104-D (100 k)	B	21.1/65.4
R400	7030005840	S.RES RR0510P-473-D (47 k)	B	23.7/62.4
R401	7030			

The underlined parts have been updated from the addendum of the previous version, or from the original page.

[MAIN UNIT] (for [#11], [#21], and [#31])

REF NO.	PART NO.	DESCRIPTION	M.	H/V LOCATION	REF NO.	PART NO.	DESCRIPTION	M.	H/V LOCATION
R470	7030016560	S.RES RMC1/16SJPTH	T	28.0/58.4	R617	7030016290	S.RES RMC1/16S-222JTH (2.2 k)	B	29.4/79.2
R472	7030015930	S.RES RMC1/16S-471JTH (470)	T	31.4/34.7	R619	7030016560	S.RES RMC1/16SJPTH	B	9.3/61.7
R473	7030016020	S.RES RMC1/16S-104JTH (100 k)	T	26.4/41.2	R620	7030015910	S.RES RMC1/16S-101JTH (100)	T	44.8/36.2
R478	7030016560	S.RES RMC1/16SJPTH	B	9.2/35.1	R621	7030015960	S.RES RMC1/16S-472JTH (4.7 k)	B	15.4/18.4
R479	7030016780	S.RES RMC1/16SK224DTH (220 k)	B	8.0/34.5	R622	7030016110	S.RES RMC1/16S-473JTH (47 k)	B	15.4/21.3
R480	7030017390	S.RES RMC1/16SK184FTH (180 k)	B	6.8/33.2	R623	7030016110	S.RES RMC1/16S-473JTH (47 k)	B	10.2/28.3
R481	7030008270	S.RES RR0510P-104-D (100 k)	B	7.4/29.0	R624	7030016110	S.RES RMC1/16S-473JTH (47 k)	B	14.3/31.2
R482	7030008270	S.RES RR0510P-104-D (100 k)	B	7.4/27.9	R626	7030015960	S.RES RMC1/16S-472JTH (4.7 k)	B	6.0/16.1
R483	7030008270	S.RES RR0510P-104-D (100 k)	B	5.8/24.3	R627	7030016110	S.RES RMC1/16S-473JTH (47 k)	B	6.9/21.5
R484	7030008270	S.RES RR0510P-104-D (100 k)	B	6.2/23.0	R629	7030016110	S.RES RMC1/16S-473JTH (47 k)	B	6.9/25.6
R485	7030008270	S.RES RR0510P-104-D (100 k)	B	5.8/17.7	R632	7030016110	S.RES RMC1/16S-473JTH (47 k)	B	6.9/31.3
R486	7030008270	S.RES RR0510P-104-D (100 k)	B	4.9/16.1	R635	7030015900	S.RES RMC1/16S-470JTH (47)	B	7.5/67.2
R487	7030016930	S.RES RMC1/16SK274DTH (270 k)	B	11.0/35.1	R637	7030016020	S.RES RMC1/16S-104JTH (100 k)	B	40.0/64.2
R488	7030018520	S.RES RMC1/16SK564FTH (560 k)	B	11.3/34.4	R638	7030016290	S.RES RMC1/16S-222JTH (2.2 k)	B	31.9/77.7
R489	7030016930	S.RES RMC1/16SK274DTH (270 k)	B	12.1/33.2	R639	7030016050	S.RES RMC1/16S-102JTH (1 k)	T	24.8/78.0
R490	7030005850	S.RES RR0510P-563-D (56 k)	B	13.9/29.9	R642	7030015940	S.RES RMC1/16S-681JTH (680)	T	23.3/13.9
R491	7030007610	S.RES RR0510P-683-D (68 k)	B	12.4/27.6	R644	7030016020	S.RES RMC1/16S-104JTH (100 k)	T	39.7/45.4
R492	7030008270	S.RES RR0510P-104-D (100 k)	B	13.9/25.4	R645	7030016020	S.RES RMC1/16S-104JTH (100 k)	T	39.7/47.0
R493	7030016750	S.RES RMC1/16SK124DTH (120 k)	B	13.0/22.6	R646	7030016020	S.RES RMC1/16S-104JTH (100 k)	T	38.8/47.6
R494	7030016750	S.RES RMC1/16SK124DTH (120 k)	B	13.0/21.0	R647	7030016020	S.RES RMC1/16S-104JTH (100 k)	T	37.9/47.6
R495	7030016750	S.RES RMC1/16SK124DTH (120 k)	B	13.0/19.1	R648	7030016020	S.RES RMC1/16S-104JTH (100 k)	T	41.8/46.6
R497	7030015980	S.RES RMC1/16S-333JTH (33 k)	B	12.1/8.8	R649	7030016360	S.RES RMC1/16S-123JTH (12 k)		
R498	7030016400	S.RES RMC1/16S-564JTH (560 k)	T	43.2/35.3			Only [#11]	T	32.3/85.4
R499	7030015960	S.RES RMC1/16S-472JTH (4.7 k)	T	43.3/36.2	R650	7030016050	S.RES RMC1/16S-102JTH (1 k)	T	31.1/69.0
R500	7030015980	S.RES RMC1/16S-333JTH (33 k)	T	42.3/25.6	R651	7030016560	S.RES RMC1/16SJPTH	B	36.5/79.5
R501	7030016250	S.RES RMC1/16S-220JTH (22)	T	34.6/34.6	R652	7030016090	S.RES RMC1/16S-223JTH (22 k)	B	21.2/72.2
R502	7030016560	S.RES RMC1/16SJPTH	T	35.1/39.1	R653	7030016050	S.RES RMC1/16S-102JTH (1 k)	T	20.3/75.7
R503	7030016200	S.RES RMC1/16S-274JTH (270 k)	T	21.2/125.0	R654	7030015960	S.RES RMC1/16S-472JTH (4.7 k)	B	23.9/79.2
R504	7030015970	S.RES RMC1/16S-103JTH (10 k)	T	23.0/125.0	R655	7030016030	S.RES RMC1/16S-154JTH (150 k)	B	32.6/64.9
R505	7030016020	S.RES RMC1/16S-104JTH (100 k)	T	33.0/121.1	R656	7030016190	S.RES RMC1/16S-273JTH (27 k)	B	27.3/61.1
R515	7030016020	S.RES RMC1/16S-104JTH (100 k)	T	7.9/21.7	R657	7030016040	S.RES RMC1/16S-224JTH (220 k)	B	28.0/59.6
R519	7030012340	S.RES RR0510P-821-D	B	26.6/14.8	R658	7030015930	S.RES RMC1/16S-471JTH (470)	B	15.4/105.8
R520	7030016750	S.RES RMC1/16SK124DTH (120 k)	B	27.5/9.3	R660	7030016020	S.RES RMC1/16S-104JTH (100 k)	B	31.4/23.2
R521	7030016020	S.RES RMC1/16S-104JTH (100 k)	T	32.2/13.7	R662	7030016050	S.RES RMC1/16S-102JTH (1 k)	T	39.1/23.0
R524	7030016560	S.RES RMC1/16SJPTH	T	26.8/33.7	R670	7030016360	S.RES RMC1/16S-123JTH (12 k)		
R526	7030016050	S.RES RMC1/16S-102JTH (1 k)	B	13.8/4.4			Only [#11]	T	34.5/70.8
R527	7030015980	S.RES RMC1/16S-333JTH (33 k)	B	40.4/24.6	R671	7030017740	S.RES RMC1/10-271JTP (270)	T	35.2/106.7
R528	7030016290	S.RES RMC1/16S-222JTH (2.2 k)	B	37.7/23.0	R672	7030015900	S.RES RMC1/16S-470JTH (47)	B	17.5/105.9
R529	7030015910	S.RES RMC1/16S-101JTH (100)	B	36.6/23.9	R673	7030015930	S.RES RMC1/16S-471JTH (470)	B	22.4/80.0
R530	7030016420	S.RES RMC1/16S-182JTH (1.8 k)	B	19.9/24.3	R674	7030016460	S.RES RMC1/16S-181JTH (180)	T	28.2/110.8
R532	7030016560	S.RES RMC1/16SJPTH	B	21.5/24.3	R677	7030015960	S.RES RMC1/16S-272JTH (4.7 k)	T	32.5/46.6
R537	7030015970	S.RES RMC1/16S-103JTH (10 k)	T	23.2/99.3	R678	7030016020	S.RES RMC1/16S-104JTH (100 k)	T	33.1/45.7
R540	7030016330	S.RES RMC1/16S-153JTH (15 k)	T	48.0/42.0	R679	7030010990	S.RES RR0510P-272-D (2.7 k)	B	25.4/14.4
R541	7030016100	S.RES RMC1/16S-334JTH (330 k)	T	48.0/40.1	R680	7030016090	S.RES RMC1/16S-223JTH (22 k)	B	33.6/29.6
R542	7030016050	S.RES RMC1/16S-102JTH (1 k)	T	42.1/39.0					
R543	7030016320	S.RES RMC1/16S-225JTH (2.2 M)	T	44.7/38.6	C3	4030023580	S.CER 0603N220J500CT	T	8.3/118.0
R544	7030016220	S.RES RMC1/16S-563JTH (56 k)	T	43.0/38.1	C4	4030023410	S.CER 0603N9R0D500CT	T	9.6/113.8
R545	7030016100	S.RES RMC1/16S-334JTH (330 k)	T	46.6/37.5	C5	4030023620	S.CER 0603N270J500CT	T	6.7/113.8
R546	7030016060	S.RES RMC1/16S-105JTH (1 M)	T	48.5/38.3	C6	4030023350	S.CER 0603N5R0B500CT	T	8.3/112.0
R548	7030016070	S.RES RMC1/16S-474JTH (470 k)	T	34.9/28.5	C7	4030023580	S.CER 0603N220J500CT	T	3.2/107.8
R549	7030016220	S.RES RMC1/16S-563JTH (56 k)	T	34.3/24.4	C8	4030023850	S.CER 0603B102K500CT	T	5.1/107.0
R550	7030016560	S.RES RMC1/16SJPTH	T	32.5/36.7	Eqv.	4030026460	S.CER MG18B102K500CT		
R551	7030016560	S.RES RMC1/16SJPTH	T	32.5/37.6	C9	4030023850	S.CER 0603B102K500CT	T	12.7/108.5
R552	7030016560	S.RES RMC1/16SJPTH	T	32.0/38.7	Eqv.	4030026460	S.CER MG18B102K500CT		
R554	7030016560	S.RES RMC1/16SJPTH	T	29.1/41.6	C10	4030023850	S.CER 0603B102K500CT	T	9.0/103.8
R555	7030016560	S.RES RMC1/16SJPTH	T	26.7/64.0	Eqv.	4030026460	S.CER MG18B102K500CT		
R556	7030016560	S.RES RMC1/16SJPTH	T	25.7/64.0	C11	4030022610	S.CER 0402N0R3B500CT	T	11.5/103.8
R558	7030016560	S.RES RMC1/16SJPTH	T	23.5/63.6	C13	4030023580	S.CER 0603N220J500CT	T	7.1/102.6
R559	7030016560	S.RES RMC1/16SJPTH	T	21.0/61.1	C14	4030023580	S.CER 0603N220J500CT	T	9.0/98.7
R561	7030016560	S.RES RMC1/16SJPTH	T	27.7/62.1	C15	4030022610	S.CER 0402N0R3B500CT	T	11.2/98.5
R562	7030016560	S.RES RMC1/16SJPTH	T	28.4/60.0	C17	4030023200	S.CER 0402B471K500CT	T	7.2/74.0
R563	7030016380	S.RES RMC1/16S-183JTH (18 k)	B	10.0/8.0	C19	4030023590	S.CER 0603N221J500CT	T	9.0/97.5
R564	7030016020	S.RES RMC1/16S-104JTH (100 k)	B	11.1/4.0	C20	4030023090	S.CER 0402B102K500CT	T	14.5/109.4
R565	7030016020	S.RES RMC1/16S-104JTH (100 k)	B	9.6/5.0	Eqv.	4030026210	S.CER MG15B102K500CT		
R566	7030015980	S.RES RMC1/16S-333JTH (33 k)	B	11.7/7.6	C23	4030023130	S.CER 0402B222K500CT	T	9.2/71.8
R568	7030016050	S.RES RMC1/16S-102JTH (1 k)	B	13.3/7.5	C24	4030023010	S.CER 0402B104K160CT	T	14.5/91.0
R569	7030016020	S.RES RMC1/16S-104JTH (100 k)	B	33.7/48.1	Eqv.	4030026220	S.CER MG15B104K160CT		
R571	7030006020	S.RES RR0510P-682-D (6.8 k)	B	27.8/14.4	C25	4030023090	S.CER 0402B102K500CT	T	8.5/83.8
R572	7030016500	S.RES RMC1/16S-562JTH (5.6 k)	T	15.4/12.2	Eqv.	4030026210	S.CER MG15B102K500CT		
R573	7030019630	S.RES RL1220S-1R8-F (1.8)	T	20.3/10.6	C28	4030023030	S.CER 0402B103K250CT	T	9.7/68.4
R574	7030019630	S.RES RL1220S-1R8-F (1.8)	T	22.0/10.6	Eqv.	4030026200	S.CER MG15B103K250CT		
R575	7030019630	S.RES RL1220S-1R8-F (1.8)	T	27.5/7.6	C29	4030023090	S.CER 0402B102K500CT	B	14.7/63.0
R577	7030015940	S.RES RMC1/16S-681JTH (680)	T	23.8/12.7	Eqv.	4030026210	S.CER MG15B102K500CT		
R578	7030015970	S.RES RMC1/16S-103JTH (10 k)	T	24.6/14.7	C30	4030022880	S.CER 0402N560J500CT	T	13.4/78.0
R580	7030016050	S.RES RMC1/16S-102JTH (1 k)	T	16.8/19.4	C31	4030023030	S.CER 0402B103K250CT	T	17.6/75.9
R581	7030015970	S.RES RMC1/16S-103JTH (10 k)	T	21.1/18.5	Eqv.	4030026200	S.CER MG15B103K250CT		
R582	7030019580	S.RES RG1005P-104-B-T5 (100 k)	T	29.8/12.2	C32	4030023090	S.CER 0402B102K500CT	T	8.7/76.2
R583	7030006020	S.RES RR0510P-682-D (6.8 k)	T	30.0/13.8	Eqv.	4030026210	S.CER MG15B102K500CT		
R584	7030019580	S.RES RG1005P-104-B-T5 (100 k)	T	30.4/15.0	C33	4030023090	S.CER 0402B102K500CT	B	14.4/61.7
R585	7030019600	S.RES RG1005P-103-B-T5 (10 k)	T	14.3/16.6	Eqv.	4030026210	S.CER MG15B102K500CT		
R588	7030019630	S.RES RL1220S-1R8-F (1.8)	T	28.3/5.1	C34	4030022630	S.CER 0402N100C500CT	T	14.6/70.3
R589	7030019600	S.RES RG1005P-103-B-T5 (10 k)	T	15.6/18.3	C35	4030022880	S.CER 0402N560J500CT	T	15.5/69.4
R590	7030016050	S.RES RMC1/16S-102JTH (1 k)	T	14.7/15.3	C37	4550007360	S.TAN F931A226MBABMA	T	19.6/69.7
R591	7030016050	S.RES RMC1/16S-102JTH (1 k)	T	16.3/11.7	Eqv.	4550009520	S.TAN 267E1002226MR		
R593	7030016560	S.RES RMC1/16SJPTH	B	38.6/27.2	C38	4030023090	S.CER 0402B102K500CT	T	18.8/73.7
R594	7030016020	S.RES RMC1/16S-104JTH (100 k)	T	46.1/44.8	Eqv.	4030026210	S.CER MG15B102K500CT		
R595	7030016020	S.RES RMC1/16S-104JTH (100 k)	T	43.1/44.7	C39	4030022700	S.CER 0402N180J500CT	B	6.0/64.3
R596	7030016050	S.RES RMC1/16S-102JTH (1 k)	B	21.7/57.4	C40	4030023090	S.CER 0402B102K500CT	B	11.0/57.6
R597	7030016060	S.RES RMC1/16S-105JTH (1 M)	B	25.7/55.8	Eqv.	4030026210	S.CER MG15B102K500CT		
R600	7030016050	S.RES RMC1/16S-102JTH (1 k)	B	35.5/51.8	C48	4030023090	S.CER 0402B102K500CT	T	19.9/57.6
R601	7030016560	S.RES RMC1/16SJPTH	B	20.2/65.4	Eqv.	4030026210	S.CER MG15B102K500CT		
R602	7030016560	S.RES RMC1/16SJPTH	T	22.1/98.4	C49	4550007390	S.TAN F931C225MAABMA	T	10.4/56.3
R604	7030016560	S.RES RMC1/16SJPTH	T	26.9/90.2	Eqv.	4550009240	S.TAN 267E1602225MR		
R605	7030016020	S.RES RMC1/16S-104JTH (100 k)	B	38.9/7.7	C50	4030023820	S.CER 0603B104K250CT	T	19.1/55.6
R606	7520000241	S.POS PRF18B-C471QB5RB	T	14.8/79.1	Eqv.	4030026170	S.CER		

The underlined parts have been updated from the addendum of the previous version, or from the original page.

[MAIN UNIT] (for [#11], [#21], and [#31])

REF NO.	PART NO.	DESCRIPTION	M.	H/V LOCATION	REF NO.	PART NO.	DESCRIPTION	M.	H/V LOCATION
C54	4030022740	S.CER 0402N220J500CT	T	11.7/111.2	C155	4030022810	S.CER 0402N330J500CT	T	12.5/50.7
C56	4030023090	S.CER 0402B102K500CT	T	12.9/110.7	C156	4030023090	S.CER 0402B102K500CT	B	15.9/48.9
Eqv.	4030026210	S.CER MG15B102K500CT			Eqv.	4030026210	S.CER MG15B102K500CT		
C57	4030023090	S.CER 0402B102K500CT	B	16.4/107.1	C168	4550007550	S.TAN F931V334MAABMA	T	17.6/38.3
Eqv.	4030026210	S.CER MG15B102K500CT			Eqv.	4550009170	S.TAN 267M3502334MR		
C58	4030023090	S.CER 0402B102K500CT	B	12.7/107.1	C169	4550007390	S.TAN F931C225MAABMA	B	25.0/48.6
Eqv.	4030026210	S.CER MG15B102K500CT			Eqv.	4550009240	S.TAN 267E1602225MR		
C60	4030023090	S.CER 0402B102K500CT	B	21.2/100.6	C170	4030022720	S.CER 0402N1R5B500CT	T	19.2/42.6
Eqv.	4030026210	S.CER MG15B102K500CT			C171	4030023090	S.CER 0402B102K500CT	B	12.8/59.1
C61	4030023010	S.CER 0402B104K160CT	B	24.0/92.5	Eqv.	4030026210	S.CER MG15B102K500CT		
Eqv.	4030026220	S.CER MG15B104K160CT			C172	4030023010	S.CER 0402B104K160CT	B	8.3/52.0
C62	4030022700	S.CER 0402N180J500CT	B	27.9/107.0	Eqv.	4030026220	S.CER MG15B104K160CT		
C63	4030023090	S.CER 0402B102K500CT	B	11.0/109.9	C173	4550008160	S.TAN F931A226MAA	B	7.7/55.0
Eqv.	4030026210	S.CER MG15B102K500CT			Eqv.	4550009110	S.TAN 267E1002226MR533		
C64	4030023090	S.CER 0402B102K500CT	B	12.1/100.3	C174	4030023010	S.CER 0402B104K160CT	B	22.2/50.1
Eqv.	4030026210	S.CER MG15B102K500CT			Eqv.	4030026220	S.CER MG15B104K160CT		
C65	4030023090	S.CER 0402B102K500CT	B	37.1/106.7	C176	4030023010	S.CER 0402B102K500CT	T	16.4/109.4
Eqv.	4030026210	S.CER MG15B102K500CT			Eqv.	4030026220	S.CER MG15B104K160CT		
C66	4030023010	S.CER 0402B104K160CT	B	36.5/105.0	C180	4030023010	S.CER 0402B104K160CT	T	34.7/18.7
Eqv.	4030026220	S.CER MG15B104K160CT			Eqv.	4030026220	S.CER MG15B104K160CT		
C67	4030023090	S.CER 0402B102K500CT	B	34.7/102.6	C187	4030023010	S.CER 0402B104K160CT	B	17.0/25.9
Eqv.	4030026210	S.CER MG15B102K500CT			Eqv.	4030026220	S.CER MG15B104K160CT		
C68	4030023090	S.CER 0402B102K500CT	B	29.6/103.9	C188	4030017480	S.CER C1608 JB 1A 474K-T	B	18.0/26.4
Eqv.	4030026210	S.CER MG15B102K500CT			C190	4030022750	S.CER 0402N221J500CT	B	14.4/104.1
C69	4030020000	S.CER C1005 JB 1A 105K-T	B	36.5/103.1	C191	4030023030	S.CER 0402B103K250CT	B	31.5/103.5
C71	4030022660	S.CER 0402N120J500CT	B	17.0/104.1	Eqv.	4030026200	S.CER MG15B103K250CT		
C72	4030022520	S.CER 0402N1R0B500CT	B	31.8/105.1	C192	4030023090	S.CER 0402B102K500CT	B	26.9/99.6
C73	4030022790	S.CER 0402N2R5B500CT	B	32.9/102.4	Eqv.	4030026210	S.CER MG15B102K500CT		
C74	4030022720	S.CER 0402N1R5B500CT	B	35.3/101.0	C193	4030023090	S.CER 0402B102K500CT	B	26.8/98.7
C75	4030023090	S.CER 0402B102K500CT	B	29.6/102.3	Eqv.	4030026210	S.CER MG15B102K500CT		
Eqv.	4030026210	S.CER MG15B102K500CT			C196	4030023010	S.CER 0402B104K160CT	B	22.6/28.8
C76	4030023090	S.CER 0402B102K500CT	B	39.1/108.4	Eqv.	4030026220	S.CER MG15B104K160CT		
Eqv.	4030026210	S.CER MG15B102K500CT			C197	4030023020	S.CER 0402B473K160CT	B	27.3/62.2
C77	4030022530	S.CER 0402N2R0B500CT	B	33.6/98.9	C201	4030022840	S.CER 0402N390J500CT	B	38.5/68.6
C78	4030022700	S.CER 0402N180J500CT	B	31.7/98.1	C202	4030023010	S.CER 0402B104K160CT	B	15.0/6.8
C79	4030023090	S.CER 0402B102K500CT	B	30.3/100.9	Eqv.	4030026220	S.CER MG15B104K160CT		
Eqv.	4030026210	S.CER MG15B102K500CT			C211	4030023330	S.CER 0603N4R0B500CT	T	13.2/119.4
C80	4030023090	S.CER 0402B102K500CT	B	24.4/93.7	C212	4030023700	S.CER 0603N390J500CT	T	6.7/96.3
Eqv.	4030026210	S.CER MG15B102K500CT			C223	4030024520	S.CER C1005 JB 1C 474K-T	B	33.3/21.5
C81	4030023090	S.CER 0402B102K500CT	B	28.2/94.7	C225	4030024050	S.CER 0603B473K500CT	B	6.8/12.9
Eqv.	4030026210	S.CER MG15B102K500CT			C229	4030023030	S.CER 0402B103K250CT	T	44.6/68.8
C82	4030023030	S.CER 0402B103K250CT	B	32.9/92.6	Eqv.	4030026200	S.CER MG15B103K250CT		
Eqv.	4030026200	S.CER MG15B103K250CT			C232	4030022530	S.CER 0402N2R0B500CT	B	24.1/91.6
C83	4030023090	S.CER 0402B102K500CT	B	33.8/92.6	C235	4030020000	S.CER C1005 JB 1A 105K-T	B	8.2/108.9
Eqv.	4030026210	S.CER MG15B102K500CT			C237	4030023090	S.CER 0402B102K500CT	B	40.8/118.2
C84	4030023090	S.CER 0402B102K500CT	B	33.8/93.8	Eqv.	4030026210	S.CER MG15B102K500CT		
Eqv.	4030026210	S.CER MG15B102K500CT			C238	4550007270	S.TAN F931A475MAABMA	T	38.5/120.9
C85	4030022700	S.CER 0402N180J500CT	B	34.1/95.1	C239	4030022980	S.CER 0402B473K100CT	B	44.7/116.2
C86	4030022580	S.CER 0402N7R0C500CT	B	20.1/85.3	C240	4030023090	S.CER 0402B102K500CT	B	40.3/116.3
C87	4030022560	S.CER 0402N5R0B500CT	B	13.7/99.9	Eqv.	4030026210	S.CER MG15B102K500CT		
C88	4030023030	S.CER 0402B103K250CT	B	25.7/78.0	C241	4030023090	S.CER 0402B102K500CT	B	45.3/114.2
Eqv.	4030026200	S.CER MG15B103K250CT			Eqv.	4030026210	S.CER MG15B102K500CT		
C90	4030023090	S.CER 0402B102K500CT	B	29.0/76.2	C242	4030023010	S.CER 0402B104K160CT	B	37.7/24.7
Eqv.	4030026210	S.CER MG15B102K500CT			Eqv.	4030026220	S.CER MG15B104K160CT		
C91	4030022590	S.CER 0402N8R0C500CT	B	38.5/67.7	C243	4030023090	S.CER 0402B102K500CT	B	40.4/114.5
C92	4030023020	S.CER 0402B473K160CT	B	35.6/64.9	Eqv.	4030026210	S.CER MG15B102K500CT		
C93	4030023090	S.CER 0402B102K500CT	B	31.7/67.9	C245	4030023010	S.CER 0402B104K160CT	T	35.3/103.8
Eqv.	4030026210	S.CER MG15B102K500CT			Eqv.	4030026220	S.CER MG15B104K160CT		
C95	4030023030	S.CER 0402B103K250CT	B	31.6/68.8	C249	4030023090	S.CER 0402B102K500CT	T	27.2/52.8
Eqv.	4030026200	S.CER MG15B103K250CT			Eqv.	4030026210	S.CER MG15B102K500CT		
C97	4550007520	S.TAN F931A106MAABMA	B	36.6/81.0	C274	4030023090	S.CER 0402B102K500CT	B	36.2/84.6
Eqv.	4550009370	S.TAN 267E1002106MR533			Eqv.	4030026210	S.CER MG15B102K500CT		
C98	4030022640	S.CER 0402N101J500CT	B	29.1/71.8	C293	4030023090	S.CER 0402B102K500CT	B	12.7/4.0
Eqv.	4030026140	S.CER MG15N101J500CT			Eqv.	4030026210	S.CER MG15B102K500CT		
C99	4030023030	S.CER 0402B103K250CT	B	28.6/70.6	C294	4030020000	S.CER C1005 JB 1A 105K-T	B	29.6/55.7
Eqv.	4030026200	S.CER MG15B103K250CT			C296	4030023760	S.CER 0603N680J500CT	T	9.2/87.2
C100	4030023200	S.CER 0402B471K500CT	B	29.9/69.0	C297	4030023530	S.CER 0603N181J500CT	T	6.7/95.1
C101	4030019560	S.CER GRM21BB31C106KE15L	B	36.5/78.1	C301	4030023090	S.CER 0402B102K500CT	B	13.1/43.6
C102	4030023200	S.CER 0402B471K500CT	B	28.6/69.3	Eqv.	4030026210	S.CER MG15B102K500CT		
C103	4030022540	S.CER 0402N3R0B500CT	B	43.0/74.1	C302	4030022810	S.CER 0402N330J500CT	T	20.9/42.6
C104	4030023030	S.CER 0402B103K250CT	B	37.0/68.2	C306	4030023670	S.CER 0603N330J500CT	T	16.7/45.0
Eqv.	4030026200	S.CER MG15B103K250CT			C307	4030022570	S.CER 0402N6R0C500CT	T	11.7/42.3
C106	4030023010	S.CER 0402B104K160CT	B	40.1/70.6	C308	4030023090	S.CER 0402B102K500CT	B	11.8/44.2
Eqv.	4030026220	S.CER MG15B104K160CT			Eqv.	4030026210	S.CER MG15B102K500CT		
C107	4030020000	S.CER C1005 JB 1A 105K-T	T	42.6/67.4	C309	4030023090	S.CER 0402B102K500CT	B	11.4/46.5
C110	4030023090	S.CER 0402B102K500CT	B	36.5/104.1	Eqv.	4030026210	S.CER MG15B102K500CT		
Eqv.	4030026210	S.CER MG15B102K500CT			C310	4030023670	S.CER 0603N330J500CT	T	19.5/48.0
C113	4030023010	S.CER 0402B104K160CT	B	42.8/80.9	C311	4030023790	S.CER 0603N820J500CT	T	9.5/45.2
Eqv.	4030026220	S.CER MG15B104K160CT			C312	4030023090	S.CER 0402B102K500CT	T	16.4/46.3
C115	4030023010	S.CER 0402B104K160CT	B	29.3/63.3	Eqv.	4030026210	S.CER MG15B102K500CT		
Eqv.	4030026220	S.CER MG15B104K160CT			C313	4030023090	S.CER 0402B102K500CT	T	12.5/48.6
C116	4030023090	S.CER 0402B102K500CT	T	18.5/75.9	Eqv.	4030026210	S.CER MG15B102K500CT		
Eqv.	4030026210	S.CER MG15B102K500CT			C315	4030023670	S.CER 0603N330J500CT	T	12.2/45.2
C117	4030023090	S.CER 0402B102K500CT	T	19.5/80.9	C316	4030024490	S.CER 0402NR75B500CT	T	16.3/48.4
Eqv.	4030026210	S.CER MG15B102K500CT			C317	4030024490	S.CER 0402NR75B500CT	T	12.4/49.7
C118	4030023030	S.CER 0402B103K250CT	T	18.6/80.9	C319	4030023090	S.CER 0402B102K500CT	T	19.6/49.8
Eqv.	4030026200	S.CER MG15B103K250CT			Eqv.	4030026210	S.CER MG15B102K500CT		
C121	4030019560	S.CER GRM21BB31C106KE15L	T	35.3/110.2	C321	4030023030	S.CER 0402B103K250CT	B	36.1/68.2
C125	4030023030	S.CER 0402B103K250CT	T	21.9/109.5	Eqv.	4030026200	S.CER MG15B103K250CT		
Eqv.	4030026200	S.CER MG15B103K250CT			C323	4030023030	S.CER 0402B103K250CT	B	27.3/94.7
C126	4030023010	S.CER 0402B104K160CT	T	26.6/122.4	Eqv.	4030026200	S.CER MG15B103K250CT		
Eqv.	4030								

The underlined parts have been updated from the addendum of the previous version, or from the original page.

[MAIN UNIT] (for [#11], [#21], and [#31])

REF NO.	PART NO.	DESCRIPTION	M.	H/V LOCATION	REF NO.	PART NO.	DESCRIPTION	M.	H/V LOCATION
C333	4030023090	S.CER 0402B102K500CT	B	6.8/97.0	C463	4030023010	S.CER 0402B104K160CT	T	26.2/72.1
Eqv.	4030026210	S.CER MG15B102K500CT			Eqv.	4030026220	S.CER MG15B104K160CT		
C335	4030023670	S.CER 0603N330J500CT	T	12.9/46.4	C464	4030023010	S.CER 0402B104K160CT	T	44.5/71.7
C336	4030022860	S.CER 0402N470J500CT	T	10.5/42.2	Eqv.	4030026220	S.CER MG15B104K160CT		
C338	4030023670	S.CER 0603N330J500CT	T	18.6/44.4	C466	4030023010	S.CER 0402B104K160CT	T	28.9/72.3
C347	4030023010	S.CER 0402B104K160CT	B	36.5/76.7	Eqv.	4030026220	S.CER MG15B104K160CT		
Eqv.	4030026220	S.CER MG15B104K160CT			C467	4030023010	S.CER 0402B104K160CT	T	42.1/71.7
C349	4550007550	S.TAN F931V334MAABMA	B	24.9/41.1	Eqv.	4030026220	S.CER MG15B104K160CT		
Eqv.	4550009170	S.TAN 267M3502334MR			C468	4030023010	S.CER 0402B104K160CT	T	26.2/86.8
C350	4030022860	S.CER 0402N470J500CT	T	16.7/75.9	Eqv.	4030026220	S.CER MG15B104K160CT		
C351	4030022750	S.CER 0402N221J500CT	T	7.2/67.1	C469	4030023010	S.CER 0402B104K160CT	B	26.7/84.2
C352	4030023090	S.CER 0402B102K500CT	T	9.2/72.7	Eqv.	4030026220	S.CER MG15B104K160CT		
Eqv.	4030026210	S.CER MG15B102K500CT			C470	4030023010	S.CER 0402B104K160CT	B	26.6/89.5
C354	4030023090	S.CER 0402B102K500CT	B	36.2/61.6	Eqv.	4030026220	S.CER MG15B104K160CT		
Eqv.	4030026210	S.CER MG15B102K500CT			C471	4030023010	S.CER 0402B104K160CT	B	33.7/90.8
C355	4030021240	S.CER C1005 JB 1C 105K-T	B	30.8/38.8	Eqv.	4030026220	S.CER MG15B104K160CT		
C356	4030023010	S.CER 0402B104K160CT	B	40.1/72.5	C472	4030023010	S.CER 0402B104K160CT	B	33.1/80.6
Eqv.	4030026220	S.CER MG15B104K160CT			Eqv.	4030026220	S.CER MG15B104K160CT		
C357	4030022980	S.CER 0402B473K100CT	B	35.1/66.9	C473	4030022560	S.CER 0402N5R0B500CT	B	41.6/70.4
C361	4030022550	S.CER 0402N4R0B500CT	B	30.3/81.1	C474	4030022570	S.CER 0402N6R0C500CT	B	43.9/72.8
C364	4030022540	S.CER 0402N3R0B500CT	B	32.5/90.4	C475	4030022880	S.CER 0402N560J500CT	B	41.3/71.7
C365	4030022680	S.CER 0402N150J500CT	B	33.5/84.2	C476	4030023090	S.CER 0402B102K500CT	B	26.8/80.2
C372	4030023090	S.CER 0402B102K500CT	T	15.4/91.0	Eqv.	4030026210	S.CER MG15B102K500CT		
Eqv.	4030026210	S.CER MG15B102K500CT			C477	4030023090	S.CER 0402B102K500CT	B	29.7/94.7
C373	4030023090	S.CER 0402B102K500CT	T	11.1/66.7	Eqv.	4030026210	S.CER MG15B102K500CT		
Eqv.	4030026210	S.CER MG15B102K500CT			C478	4030023030	S.CER 0402B103K250CT	B	22.0/64.9
C375	4030022610	S.CER 0402N0R3B500CT	T	9.7/112.8	Eqv.	4030026200	S.CER MG15B103K250CT		
C376	4030023090	S.CER 0402B102K500CT	B	32.9/50.0	C479	4030023030	S.CER 0402B103K250CT	B	24.9/62.8
Eqv.	4030026210	S.CER MG15B102K500CT			Eqv.	4030026200	S.CER MG15B103K250CT		
C377	4030022620	S.CER 0402N0R5B500CT	T	10.2/49.3	C481	4030019560	S.CER GRM21BB31C106KE15L	B	9.6/109.5
C379	4030023330	S.CER 0603N4R0B500CT	T	16.8/43.8	C484	4030023030	S.CER 0402B103K250CT	B	8.7/52.9
C381	4030023090	S.CER 0402B102K500CT	B	36.2/62.8	Eqv.	4030026200	S.CER MG15B103K250CT		
Eqv.	4030026210	S.CER MG15B102K500CT			C485	4030023090	S.CER 0402B102K500CT	T	25.7/66.2
C383	4030023330	S.CER 0603N4R0B500CT	T	11.4/43.6	Eqv.	4030026210	S.CER MG15B102K500CT		
C384	4030021520	S.CER GRM31CB31H106KA12L	T	25.0/109.6	C486	4030023090	S.CER 0402B102K500CT	T	26.7/66.2
C385	4030021240	S.CER C1005 JB 1C 105K-T	T	21.6/106.1	Eqv.	4030026210	S.CER MG15B102K500CT		
C386	4030022560	S.CER 0402N5R0B500CT	T	11.7/41.2	C487	4030023090	S.CER 0402B102K500CT	T	27.7/66.2
C387	4030023090	S.CER 0402B102K500CT	B	28.4/41.5	Eqv.	4030026210	S.CER MG15B102K500CT		
Eqv.	4030026210	S.CER MG15B102K500CT			C488	4030019560	S.CER GRM21BB31C106KE15L	B	9.5/106.0
C388	4030023090	S.CER 0402B102K500CT	T	20.3/90.4	C489	4030020000	S.CER C1005 JB 1A 105K-T	B	24.2/72.3
Eqv.	4030026210	S.CER MG15B102K500CT			C490	4030023010	S.CER 0402B104K160CT	B	35.7/38.9
C389	4030022560	S.CER 0402N5R0B500CT	T	12.1/39.0	Eqv.	4030026220	S.CER MG15B104K160CT		
C390	4030023090	S.CER 0402B102K500CT	B	32.8/76.8	C491	4030023090	S.CER 0402B102K500CT	B	31.5/57.5
Eqv.	4030026210	S.CER MG15B102K500CT			Eqv.	4030026210	S.CER MG15B102K500CT		
C391	4030022900	S.CER 0402N680J500CT	B	26.5/76.4	C492	4030020450	S.CER C1005 JB 0J 475M-T	T	28.9/70.5
C392	4030023090	S.CER 0402B102K500CT	B	23.6/75.2	C493	4030020450	S.CER C1005 JB 0J 475M-T	T	40.3/71.7
Eqv.	4030026210	S.CER MG15B102K500CT			C495	4030021520	S.CER GRM31CB31H106KA12L	T	19.8/82.7
C393	4030020000	S.CER C1005 JB 1A 105K-T	B	24.7/76.4	C496	4030021520	S.CER GRM31CB31H106KA12L	T	21.3/107.7
C394	4030023030	S.CER 0402B103K250CT	B	23.8/76.4	C508	4030023090	S.CER 0402B102K500CT	T	14.4/41.4
Eqv.	4030026200	S.CER MG15B103K250CT			Eqv.	4030026210	S.CER MG15B102K500CT		
C395	4030023090	S.CER 0402B102K500CT	B	15.9/54.2	C509	4030023090	S.CER 0402B102K500CT	T	13.9/38.5
Eqv.	4030026210	S.CER MG15B102K500CT			Eqv.	4030026210	S.CER MG15B102K500CT		
C396	4030022660	S.CER 0402N120J500CT	B	15.1/56.7	C510	4030023090	S.CER 0402B102K500CT	B	26.6/45.7
C397	4030022680	S.CER 0402N150J500CT	B	16.2/60.5	Eqv.	4030026210	S.CER MG15B102K500CT		
C398	4030022860	S.CER 0402N470J500CT	B	42.1/74.1	C511	4030022640	S.CER 0402N101J500CT	B	29.4/40.1
C399	4030022650	S.CER 0402N110J500CT	B	42.8/75.6	Eqv.	4030026140	S.CER MG15N101J500CT		
C400	4030022640	S.CER 0402N110J500CT	B	41.2/74.1	C512	4030024500	S.CER C1005 JB 1C 224K-T	B	30.3/40.4
Eqv.	4030026140	S.CER MG15N101J500CT			C513	4030019560	S.CER GRM21BB31C106KE15L	B	27.6/38.7
C401	4030022550	S.CER 0402N4R0B500CT	B	41.2/75.5	C514	4030023010	S.CER 0402B104K160CT	B	33.9/44.3
C402	4030022880	S.CER 0402N560J500CT	B	40.3/74.1	Eqv.	4030026220	S.CER MG15B104K160CT		
C403	4030023090	S.CER 0402B102K500CT	B	33.0/43.9	C515	4030023010	S.CER 0402B104K160CT	B	32.4/48.1
Eqv.	4030026210	S.CER MG15B102K500CT			Eqv.	4030026220	S.CER MG15B104K160CT		
C405	4030023090	S.CER 0402B102K500CT	B	19.4/99.2	C516	4030019560	S.CER GRM21BB31C106KE15L	B	28.4/49.8
Eqv.	4030026210	S.CER MG15B102K500CT			C517	4030023010	S.CER 0402B104K160CT	B	29.9/38.8
C407	4030020450	S.CER C1005 JB 0J 475M-T	B	16.3/105.4	Eqv.	4030026220	S.CER MG15B104K160CT		
C418	4030023090	S.CER 0402B102K500CT	T	40.3/12.6	C518	4030023090	S.CER 0402B102K500CT	B	26.3/50.7
Eqv.	4030026210	S.CER MG15B102K500CT			Eqv.	4030026210	S.CER MG15B102K500CT		
C420	4030023090	S.CER 0402B102K500CT	T	37.3/104.8	C519	4030023090	S.CER 0402B102K500CT	B	28.7/47.7
Eqv.	4030026210	S.CER MG15B102K500CT			Eqv.	4030026210	S.CER MG15B102K500CT		
C429	4030022860	S.CER 0402N470J500CT	T	16.4/91.0	C520	4030023090	S.CER 0402B102K500CT	B	15.5/42.4
C430	4030021240	S.CER C1005 JB 1C 105K-T	B	22.7/78.8	Eqv.	4030026210	S.CER MG15B102K500CT		
C431	4030023090	S.CER 0402B102K500CT	T	37.2/16.9	C521	4030023090	S.CER 0402B102K500CT	B	16.4/47.7
Eqv.	4030026210	S.CER MG15B102K500CT			Eqv.	4030026210	S.CER MG15B102K500CT		
C432	4030023090	S.CER 0402B102K500CT	B	38.1/106.7	C522	4030023090	S.CER 0402B102K500CT	T	19.5/50.7
Eqv.	4030026210	S.CER MG15B102K500CT			Eqv.	4030026210	S.CER MG15B102K500CT		
C438	4030022630	S.CER 0402N100C500CT	B	32.9/41.4	C523	4030023090	S.CER 0402B102K500CT	B	21.9/38.5
C439	4030022640	S.CER 0402N101J500CT	B	43.7/69.2	Eqv.	4030026210	S.CER MG15B102K500CT		
Eqv.	4030026140	S.CER MG15N101J500CT			C524	4030023090	S.CER 0402B102K500CT	B	21.5/37.3
C440	4030023090	S.CER 0402B102K500CT	B	33.8/41.4	Eqv.	4030026210	S.CER MG15B102K500CT		
Eqv.	4030026210	S.CER MG15B102K500CT			C525	4030023090	S.CER 0402B102K500CT	B	44.1/67.8
C441	4030020000	S.CER C1005 JB 1A 105K-T	B	34.8/38.9	Eqv.	4030026210	S.CER MG15B102K500CT		
C443	4030023090	S.CER 0402B102K500CT	B	23.1/39.7	C526	4030022630	S.CER 0402N100C500CT	B	42.4/67.8
Eqv.	4030026210	S.CER MG15B102K500CT			C527	4030021240	S.CER C1005 JB 1C 105K-T	B	40.5/65.4
C444	4030023010	S.CER 0402B104K160CT	B	35.4/46.5	C528	4030023010	S.CER 0402B104K160CT	B	39.6/65.4
Eqv.	4030026220	S.CER MG15B104K160CT			Eqv.	4030026220	S.CER MG15B104K160CT		
C445	4030021240	S.CER C1005 JB 1C 105K-T	B	34.8/44.3	C529	4030023010	S.CER 0402B104K160CT	B	44.5/64.6
C446	4030023030	S.CER 0402B103K250CT	B	45.1/79.6	Eqv.	4030026220	S.CER MG15B104K160CT		
Eqv.	4030026200	S.CER MG15B103K250CT			C530	4030021240	S.CER C1005 JB 1C 105K-T	B	41.9/63.1
C451	4030023010	S.CER 0402B104K160CT	B	24.4/81.3	C531	4030023010	S.CER 0402B104K160CT	T	21.0/62.0
Eqv.	4030026220	S.CER MG15B104K160CT			Eqv.	4030026220	S.CER MG15B104K160CT		
C458	4030023010	S.CER 0402B104K160CT	B	29.9/91.1	C532	4030019560	S		

The underlined parts have been updated from the addendum of the previous version, or from the original page.

[MAIN UNIT] (for [#11], [#21], and [#31])

REF NO.	PART NO.	DESCRIPTION	M.	H/V LOCATION	REF NO.	PART NO.	DESCRIPTION	M.	H/V LOCATION	
C539	4030023090	S.CER 0402B102K500CT	B	41.3/96.4	C638	4030023010	S.CER 0402B104K160CT	B	25.5/57.0	
Eqv.	4030026210	S.CER MG15B102K500CT			Eqv.	4030026220	S.CER MG15B104K160CT			
C541	4030021240	S.CER C1005 JB 1C 105K-T	B	34.8/27.6	C639	4030023090	S.CER 0402B102K500CT	B	40.6/108.4	
C542	4030023010	S.CER 0402B104K160CT	B	34.5/23.2	Eqv.	4030026210	S.CER MG15B102K500CT			
Eqv.	4030026220	S.CER MG15B104K160CT			C640	4030023090	S.CER 0402B102K500CT	B	45.6/104.3	
C543	4030023090	S.CER 0402B102K500CT	T	15.9/9.5	Eqv.	4030026210	S.CER MG15B102K500CT			
Eqv.	4030026210	S.CER MG15B102K500CT			C641	4030023010	S.CER 0402B104K160CT	T	43.6/46.2	
C544	4030023090	S.CER 0402B102K500CT	T	13.0/6.6	Eqv.	4030026220	S.CER MG15B104K160CT			
Eqv.	4030026210	S.CER MG15B102K500CT			C642	4030023010	S.CER 0402B104K160CT	T	47.9/39.2	
C549	4030017810	S.CER C1608 CH 1H 102J-T	B	5.6/31.1	Eqv.	4030026220	S.CER MG15B104K160CT			
C550	4030022910	S.CER 0402N681J500CT	B	8.7/33.2	C643	4030023010	S.CER 0402B104K160CT	T	41.7/43.5	
C551	4030018620	S.CER C1608 CH 1H 222J-T	B	6.0/28.1	Eqv.	4030026220	S.CER MG15B104K160CT			
C552	4030022820	S.CER 0402N331J500CT	B	9.0/28.0	C644	4030023200	S.CER 0402B471K500CT	T	48.0/41.1	
C553	4030019570	S.CER C1608 CH 1H 332J-T	B	5.6/19.4	C645	4030023010	S.CER 0402B104K160CT	T	42.1/50.2	
C554	4030022670	S.CER 0402N121J500CT	B	8.0/23.4	Eqv.	4030026220	S.CER MG15B104K160CT			
C555	4030022350	S.CER C1608 CH 1H 822JT	B	5.5/14.7	C646	4030019560	S.CER GRM21BB31C106KE15L	T	32.8/91.3	
C557	4030022930	S.CER 0402N821J500CT	B	11.4/35.3	C647	4030023010	S.CER 0402B104K160CT	T	28.1/89.8	
C558	4030022930	S.CER 0402N821J500CT	B	13.0/31.7	Eqv.	4030026220	S.CER MG15B104K160CT			
C559	4030022690	S.CER 0402N151J500CT	B	10.5/33.2	C648	4030023090	S.CER 0402B102K500CT	B	12.2/60.3	
C560	4030020170	S.CER C1608 CH 1H 472J-T	B	13.7/27.4	Eqv.	4030026210	S.CER MG15B102K500CT			
C561	4030022870	S.CER 0402N471J500CT	B	11.2/28.3	C649	4030023090	S.CER 0402B102K500CT	B	10.2/61.7	
C562	4030020940	S.CER C1608 CH 1H 392JT	B	14.1/22.1	Eqv.	4030026210	S.CER MG15B102K500CT			
C563	4030022640	S.CER 0402N101J500CT	B	12.1/23.2	C650	4030023010	S.CER 0402B104K160CT	T	19.8/15.8	
Eqv.	4030026140	S.CER MG15N101J500CT			Eqv.	4030026220	S.CER MG15B104K160CT			
C564	4030020160	S.CER C1608 CH 1H 103J-T	B	14.1/19.1	C651	4030023010	S.CER 0402B104K160CT	T	13.8/21.2	
C565	4030022680	S.CER 0402N150J500CT	B	9.3/18.3	Eqv.	4030026220	S.CER MG15B104K160CT			
C566	4030021240	S.CER C1005 JB 1C 105K-T	T	41.5/35.4	C652	4030023010	S.CER 0402B104K160CT	T	11.7/15.2	
C567	4030021240	S.CER C1005 JB 1C 105K-T	T	41.9/36.8	Eqv.	4030026220	S.CER MG15B104K160CT			
C568	4030021240	S.CER C1005 JB 1C 105K-T	T	40.9/25.9	C653	4030021240	S.CER C1005 JB 1C 105K-T	T	22.0/97.1	
C569	4030023010	S.CER 0402B104K160CT	T	42.6/26.5	C656	4030023090	S.CER 0402B102K500CT	T	15.6/7.8	
Eqv.	4030026220	S.CER MG15B104K160CT			Eqv.	4030026210	S.CER MG15B102K500CT			
C570	4030023010	S.CER 0402B104K160CT	T	39.6/26.3	C660	4030023090	S.CER 0402B102K500CT	B	6.6/67.2	
Eqv.	4030026220	S.CER MG15B104K160CT			Eqv.	4030026210	S.CER MG15B102K500CT			
C571	4030019560	S.CER GRM21BB31C106KE15L	T	35.0/37.1	C661	4030023010	S.CER 0402B104K160CT	T	40.6/46.4	
C572	4030019560	S.CER GRM21BB31C106KE15L	T	37.6/34.9	Eqv.	4030026220	S.CER MG15B104K160CT			
C573	4030023090	S.CER 0402B102K500CT	T	9.1/21.3	C662	4030023010	S.CER 0402B104K160CT	T	41.2/44.9	
Eqv.	4030026210	S.CER MG15B102K500CT			Eqv.	4030026220	S.CER MG15B104K160CT			
C574	4030022900	S.CER 0402N680J500CT	B	27.5/10.2	C663	4030023010	S.CER 0402B104K160CT	T	33.2/85.4	
C577	4030021520	S.CER GRM31CB31H106KA12L	B	21.7/9.3	Eqv.	4030026220	S.CER MG15B104K160CT			
C579	4030021520	S.CER GRM31CB31H106KA12L	B	23.8/9.3	C664	4030023010	S.CER 0402B104K160CT	B	36.5/41.7	
C580	4030021520	S.CER GRM31CB31H106KA12L	B	34.9/6.7	Eqv.	4030026220	S.CER MG15B104K160CT			
C585	4030023010	S.CER 0402B104K160CT	B	25.4/9.5	C665	4030023070	S.CER 0402B223K250CT	B	20.7/75.2	
Eqv.	4030026220	S.CER MG15B104K160CT			C666	4030023010	S.CER 0402B104K160CT	T	34.3/22.5	
C586	4030023030	S.CER 0402B103K250CT	B	26.3/9.5	Eqv.	4030026220	S.CER MG15B104K160CT			
Eqv.	4030026200	S.CER MG15B103K250CT			C667	4030023090	S.CER 0402B102K500CT	B	14.0/15.0	
C587	4030022870	S.CER 0402N471J500CT	B	40.4/23.7	Eqv.	4030026210	S.CER MG15B102K500CT			
C588	4030022860	S.CER 0402N470J500CT	B	41.6/21.9	C668	4030023090	S.CER 0402B102K500CT	B	12.0/18.7	
C589	4030021240	S.CER C1005 JB 1C 105K-T	B	39.1/22.5	Eqv.	4030026210	S.CER MG15B102K500CT			
C590	4030023090	S.CER 0402B102K500CT	B	35.2/87.5	C669	4030023090	S.CER 0402B102K500CT	B	13.9/24.2	
Eqv.	4030026210	S.CER MG15B102K500CT			Eqv.	4030026210	S.CER MG15B102K500CT			
C591	4030022640	S.CER 0402N101J500CT	B	36.9/88.1	C670	4030023090	S.CER 0402B102K500CT	B	13.0/29.4	
Eqv.	4030026140	S.CER MG15N101J500CT			Eqv.	4030026210	S.CER MG15B102K500CT			
C592	4030022640	S.CER 0402N101J500CT	B	40.1/96.7	C671	4030022640	S.CER 0402N101J500CT	B	6.0/21.5	
Eqv.	4030026140	S.CER MG15N101J500CT			Eqv.	4030026140	S.CER MG15N101J500CT			
C593	4030023090	S.CER 0402B102K500CT	B	41.5/94.8	C672	4030022640	S.CER 0402N101J500CT	B	6.9/16.1	
Eqv.	4030026210	S.CER MG15B102K500CT			Eqv.	4030026140	S.CER MG15N101J500CT			
C596	4030023090	S.CER 0402B102K500CT	T	11.7/10.7	C673	4030023090	S.CER 0402B102K500CT	T	42.4/45.6	
Eqv.	4030026210	S.CER MG15B102K500CT			Eqv.	4030026210	S.CER MG15B102K500CT			
C597	4030023010	S.CER 0402B104K160CT	B	26.6/26.3	C674	4030023090	S.CER 0402B102K500CT	T	16.1/22.4	
Eqv.	4030026220	S.CER MG15B104K160CT			Eqv.	4030026210	S.CER MG15B102K500CT			
C598	4030021240	S.CER C1005 JB 1C 105K-T	B	25.7/26.3	C675	4030023090	S.CER 0402B102K500CT	T	6.5/15.7	
C599	4030023090	S.CER 0402B102K500CT	T	23.4/118.8	Eqv.	4030026210	S.CER MG15B102K500CT			
Eqv.	4030026210	S.CER MG15B102K500CT			C676	4030023090	S.CER 0402B102K500CT	T	19.3/79.5	
C602	4030023090	S.CER 0402B102K500CT	T	21.2/120.6	Eqv.	4030026210	S.CER MG15B102K500CT			
Eqv.	4030026210	S.CER MG15B102K500CT			C677	4030019560	S.CER GRM21BB31C106KE15L			
C605	4030022640	S.CER 0402N101J500CT	T	28.2/123.0						
Eqv.	4030026140	S.CER MG15N101J500CT								
C608	4030019560	S.CER GRM21BB31C106KE15L	B	21.2/29.9	C680	4030023010	S.CER 0402B104K160CT	Only [#11]	B	24.5/68.6
C610	4030023090	S.CER 0402B102K500CT	T	23.0/97.1	Eqv.	4030026220	S.CER MG15B104K160CT	Only [#11]	T	32.7/86.6
Eqv.	4030026210	S.CER MG15B102K500CT			C681	4030023010	S.CER 0402B104K160CT	Only [#11]	T	35.2/81.9
C612	4030019560	S.CER GRM21BB31C106KE15L	T	27.8/91.6	Eqv.	4030026220	S.CER MG15B104K160CT	Only [#11]	T	30.1/71.4
C613	4030023090	S.CER 0402B102K500CT	T	22.1/100.3	C682	4030023010	S.CER 0402B104K160CT		T	30.1/71.4
Eqv.	4030026210	S.CER MG15B102K500CT			Eqv.	4030026220	S.CER MG15B104K160CT			
C614	4030023010	S.CER 0402B104K160CT	T	25.7/92.4	C683	4030023090	S.CER 0402B102K500CT	B	43.1/94.4	
Eqv.	4030026220	S.CER MG15B104K160CT			Eqv.	4030026210	S.CER MG15B102K500CT			
C615	4030023010	S.CER 0402B104K160CT	T	23.9/97.1	C684	4030023090	S.CER 0402B102K500CT	B	38.9/95.7	
Eqv.	4030026220	S.CER MG15B104K160CT			Eqv.	4030026210	S.CER MG15B102K500CT			
C616	4030023090	S.CER 0402B102K500CT	T	24.8/92.4						
Eqv.	4030026210	S.CER MG15B102K500CT			J1	6450000870	CON HEC2711-01-020			
C622	4030023060	S.CER 0402B183K250CT	T	46.7/42.3	J2	6450000131	CON HSJ1102-018540			
C623	4030023060	S.CER 0402B183K250CT	T	46.7/40.7	J4	6510021901	S.CON BM02B-ASRS-TF (LF) (SN)	T	13.0/4.0	
C624	4030023010	S.CER 0402B104K160CT	T	46.6/38.4	J5	6450001060	CON HSJ1493-01-010			
Eqv.	4030026220	S.CER MG15B104K160CT			J6	6510031230	S.CON 50P4.5-JMCS-G-TF (N) (1)	T	35.7/54.3	
C627	4030023010	S.CER 0402B104K160CT	B	10.8/9.2						
Eqv.	4030026220	S.CER MG15B104K160CT			MC1	7700003060	MIC F6027AP-SBC-462			
C628	4030023010	S.CER 0402B104K160CT	B	13.9/5.3						
Eqv.	4030026220	S.CER MG15B104K160CT			S1	2260003640	SWI SKHLLCA010			
C629	4050000340	S.FEE NFM21PC224R1C3D	B	32.9/6.7						
C631	4030022560	S.CER 0402N5R0B500CT	B	10.2/18.3						
C632	4030022810	S.CER 0402N330J500CT	B	7.6/17.6						
C633	4030023010	S.CER 0402B104K160CT	B	11.1/18.7						
Eqv.	4030026220	S.CER MG15B104K160CT			EP3	6910014640	S.BEA MPZ2012S221A-T	T	39.3/14.4	
C634	4030023010	S.CER 0402B104K160CT	B	13.0/24.2	EP4	6910014640	S.BEA MPZ2012S221A-T	T	19.5/121.0	
Eqv.	4030026220	S.CER MG15B104K160CT			EP5					

The underlined parts have been updated from the addendum of the previous version, or from the original page.

[MAIN UNIT] (for [#11], [#21], and [#31])

REF NO.	PART NO.	DESCRIPTION	M.	H/V LOCATION
EP16	6910014640	S.BEA MPZ2012S221A-T	T	18.5/89.0
EP18	6910020610	S.BEA BLM15BD102SN1D	T	27.7/56.8
EP19	6910020610	S.BEA BLM15BD102SN1D	T	23.5/54.5
EP20	6910020610	S.BEA BLM15BD102SN1D	T	26.6/42.9
EP21	6910020610	S.BEA BLM15BD102SN1D	T	32.6/34.2
EP23	6910014730	S.BEA MPZ2012S331A-T	T	12.2/8.6
EP24	6910014730	S.BEA MPZ2012S331A-T	B	42.4/92.3
EP25	6910020610	S.BEA BLM15BD102SN1D	B	36.5/87.2
EP26	6910020610	S.BEA BLM15BD102SN1D	B	40.1/95.7
EP28	6910020610	S.BEA BLM15BD102SN1D	T	26.9/110.8
EP29	6910014640	S.BEA MPZ2012S221A-T	T	30.3/110.0
EP30	6910014640	S.BEA MPZ2012S221A-T	B	34.9/10.9
EP31	6910020610	S.BEA BLM15BD102SN1D	T	19.5/111.2

Eqv.= This component is equivalent to the REF No. component listed above, and may be substituted on parts orders and repairs.

M.=Mounted side (T: Mounted on the Top side, B: Mounted on the Bottom side)
H/V LOCATION= Shows mounting location on the PCB.

The underlined parts have been updated from the addendum of the previous version, or from the original page.

[LOGIC-1 UNIT] (except for [#11], [#21], and [#31])

REF NO.	PART NO.	DESCRIPTION	M.	H/V LOCATION	REF NO.	PART NO.	DESCRIPTION	M.	H/V LOCATION
IC1	1190004712	S.IC HRM1016-010022	T	37.3/13.5	Q13	1530004140	S.TRA L2SC4081RT1G	B	21.1/12.6
	1190004712	S.IC HRM1016-010022				1530004140	S.TRA L2SC4081RT1G		
	1190004712	S.IC HRM1016-010022				1530004140	S.TRA L2SC4081RT1G		
	1190004712	S.IC HRM1016-010022				1530004140	S.TRA L2SC4081RT1G		
	1190004712	S.IC HRM1016-010022				1530004140	S.TRA L2SC4081RT1G		
	1190004712	S.IC HRM1016-010022				1530004140	S.TRA L2SC4081RT1G		
	1190004712	S.IC HRM1016-010022				1530004140	S.TRA L2SC4081RT1G		
IC11	1110003790	S.IC NJM2903V-TE1	B	17.6/8.1	Q15	1590004530	S.TRA DMG564050R	B	24.9/29.6
	1110003790	S.IC NJM2903V-TE1				1590004530	S.TRA DMG564050R		
	1110003790	S.IC NJM2903V-TE1				1590004530	S.TRA DMG564050R		
	1110003790	S.IC NJM2903V-TE1				1590004530	S.TRA DMG564050R		
	1110003790	S.IC NJM2903V-TE1				1590004530	S.TRA DMG564050R		
	1110003790	S.IC NJM2903V-TE1				1590004530	S.TRA DMG564050R		
	1110003790	S.IC NJM2903V-TE1				1590004530	S.TRA DMG564050R		
IC12	1110006470	S.IC LMV324IPWR	B	24.1/19.7	Q16	1590001940	S.TRA DTC144EE TL	B	40.5/11.3
	1110006470	S.IC LMV324IPWR				1590004070	S.TRA LDTCL44EET1G		
	1110006470	S.IC LMV324IPWR				1590001940	S.TRA DTC144EE TL		
	1110006470	S.IC LMV324IPWR				1590004070	S.TRA LDTCL44EET1G		
	1110006470	S.IC LMV324IPWR				1590001940	S.TRA DTC144EE TL		
	1110006470	S.IC LMV324IPWR				1590004070	S.TRA LDTCL44EET1G		
	1110006470	S.IC LMV324IPWR				1590001940	S.TRA DTC144EE TL		
IC13	1110006740	S.IC LMV358IPWR	B	8.4/11.0	Q16	1590001940	S.TRA DTC144EE TL	B	40.5/11.3
	1110006740	S.IC LMV358IPWR				1590004070	S.TRA LDTCL44EET1G		
	1110006740	S.IC LMV358IPWR				1590001940	S.TRA DTC144EE TL		
	1110006740	S.IC LMV358IPWR				1590004070	S.TRA LDTCL44EET1G		
	1110006740	S.IC LMV358IPWR				1590001940	S.TRA DTC144EE TL		
	1110006740	S.IC LMV358IPWR				1590004070	S.TRA LDTCL44EET1G		
	1110006740	S.IC LMV358IPWR				1590001940	S.TRA DTC144EE TL		
IC17	1190004620	S.IC GSU-141A-098A	B	23.8/85.9	Q17	1590001940	S.TRA DTC144EE TL	T	19.9/17.9
	1190004620	S.IC GSU-141A-098A				1590004070	S.TRA LDTCL44EET1G		
	1190004620	S.IC GSU-141A-098A				1590001940	S.TRA DTC144EE TL		
	1190004620	S.IC GSU-141A-098A				1590004070	S.TRA LDTCL44EET1G		
	1190004620	S.IC GSU-141A-098A				1590001940	S.TRA DTC144EE TL		
	1190004620	S.IC GSU-141A-098A				1590004070	S.TRA LDTCL44EET1G		
	1190004620	S.IC GSU-141A-098A				1590001940	S.TRA DTC144EE TL		
IC27	1140018060	S.IC R5F52108BDLK	B	31.0/52.9	Q17	1590001940	S.TRA DTC144EE TL	I	19.9/17.9
IC30	1180004760	S.REG S-1200B33-M5T1U	T	18.2/10.2	Q17	1590004070	S.TRA LDTCL44EET1G	I	19.9/17.9
	1180004760	S.REG S-1200B33-M5T1U				1590001940	S.TRA DTC144EE TL		
	1180004760	S.REG S-1200B33-M5T1U				1590004070	S.TRA LDTCL44EET1G		
	1180004760	S.REG S-1200B33-M5T1U				1590001940	S.TRA DTC144EE TL		
	1180004760	S.REG S-1200B33-M5T1U				1590004070	S.TRA LDTCL44EET1G		
	1180004760	S.REG S-1200B33-M5T1U				1590001940	S.TRA DTC144EE TL		
	1180004760	S.REG S-1200B33-M5T1U				1590004070	S.TRA LDTCL44EET1G		
IC31	1180004760	S.REG S-1200B33-M5T1U	B	32.5/96.5	Q22	1530004000	S.TRA 2SC4738-GR (TE85LF)	B	32.4/14.2
	1180004760	S.REG S-1200B33-M5T1U				1510001100	S.TRA 2SA1832-GR (TE85RF)		
	1180004760	S.REG S-1200B33-M5T1U				1510001100	S.TRA 2SA1832-GR (TE85RF)		
	1180004760	S.REG S-1200B33-M5T1U				1560001730	S.FET RUE002N02 TL		
	1180004760	S.REG S-1200B33-M5T1U				1510001100	S.TRA 2SA1832-GR (TE85RF)		
	1180004760	S.REG S-1200B33-M5T1U				1510001100	S.TRA 2SA1832-GR (TE85RF)		
	1180004760	S.REG S-1200B33-M5T1U				1590004070	S.TRA LDTCL44EET1G		
IC32	1110006490	S.IC LMV321IDCKR	B	38.6/5.1	Q33	1590001940	S.TRA DTC144EE TL	T	14.8/15.5
	1110006490	S.IC LMV321IDCKR				1590001940	S.TRA DTC144EE TL		
	1110006490	S.IC LMV321IDCKR				1590001940	S.TRA DTC144EE TL		
	1110006490	S.IC LMV321IDCKR				1590001940	S.TRA DTC144EE TL		
	1110006490	S.IC LMV321IDCKR				1590001940	S.TRA DTC144EE TL		
	1110006490	S.IC LMV321IDCKR				1590001940	S.TRA DTC144EE TL		
	1110006490	S.IC LMV321IDCKR				1590001940	S.TRA DTC144EE TL		
IC34	1180003570	S.REG NJM2830U1-33-TE1	B	39.7/44.0	Q34	1590001940	S.TRA DTC144EE TL	T	14.8/15.5
	1130014260	S.IC SN74LVC2GU04DCKR				1590001940	S.TRA DTC144EE TL		
	1130014260	S.IC SN74LVC2GU04DCKR				1590001940	S.TRA DTC144EE TL		
	1130016621	S.IC GT24C128B-2ZLI-TR				1590001940	S.TRA DTC144EE TL		
	1110007780	S.IC NJU7704F3-28A-TE1				1590001940	S.TRA DTC144EE TL		
	1110007780	S.IC NJU7704F3-28A-TE1				1590001940	S.TRA DTC144EE TL		
	1110007780	S.IC NJU7704F3-28A-TE1				1590001940	S.TRA DTC144EE TL		
IC38	1110007780	S.IC NJU7704F3-28A-TE1	T	22.1/13.2	Q34	1590004070	S.TRA LDTCL44EET1G	T	14.8/15.5
	1110007780	S.IC NJU7704F3-28A-TE1				1590001940	S.TRA DTC144EE TL		
	1110007780	S.IC NJU7704F3-28A-TE1				1590001940	S.TRA DTC144EE TL		
	1110007780	S.IC NJU7704F3-28A-TE1				1590001940	S.TRA DTC144EE TL		
	1110007780	S.IC NJU7704F3-28A-TE1				1590001940	S.TRA DTC144EE TL		
	1110007780	S.IC NJU7704F3-28A-TE1				1590001940	S.TRA DTC144EE TL		
	1110007780	S.IC NJU7704F3-28A-TE1				1590001940	S.TRA DTC144EE TL		
IC40	1180005110	S.REG NJM2836DL3-05-TE1	B	31.8/35.9	D1	1750001810	S.DIO L1SS400T1G	T	6.1/104.9
	1180003460	S.REG NJM2831F05-TE1	B	29.1/64.5		D2	1750002220		
Q3	1530004190	S.TRA L2SC4617ST1G	B	24.9/72.7	Q5	1590001940	S.TRA DTC144EE TL	T	36.3/21.2
	1590001940	S.TRA DTC144EE TL				1590004070	S.TRA LDTCL44EET1G		
	1590001940	S.TRA DTC144EE TL				1590001940	S.TRA DTC144EE TL		
	1590001940	S.TRA DTC144EE TL				1590004070	S.TRA LDTCL44EET1G		
	1590001940	S.TRA DTC144EE TL				1590001940	S.TRA DTC144EE TL		
	1590001940	S.TRA DTC144EE TL				1590004070	S.TRA LDTCL44EET1G		
	1590001940	S.TRA DTC144EE TL				1590001940	S.TRA DTC144EE TL		
Q5	1590001940	S.TRA DTC144EE TL	T	36.3/21.2	Q5	1590001940	S.TRA DTC144EE TL	I	36.3/21.2
	1590004070	S.TRA LDTCL44EET1G				1590001940	S.TRA DTC144EE TL		
	1590001940	S.TRA DTC144EE TL				1590004070	S.TRA LDTCL44EET1G		
	1590001940	S.TRA DTC144EE TL				1590001940	S.TRA DTC144EE TL		
	1590001940	S.TRA DTC144EE TL				1590004070	S.TRA LDTCL44EET1G		
	1590001940	S.TRA DTC144EE TL				1590001940	S.TRA DTC144EE TL		
	1590001940	S.TRA DTC144EE TL				1590004070	S.TRA LDTCL44EET1G		
Q5	1590001940	S.TRA DTC144EE TL	I	36.3/21.2	Q5	1590001940	S.TRA DTC144EE TL	I	36.3/21.2
	1590004070	S.TRA LDTCL44EET1G				1590001940	S.TRA DTC144EE TL		
	1590001940	S.TRA DTC144EE TL				1590004070	S.TRA LDTCL44EET1G		
	1590001940	S.TRA DTC144EE TL				1590001940	S.TRA DTC144EE TL		
	1590001940	S.TRA DTC144EE TL				1590004070	S.TRA LDTCL44EET1G		
	1590001940	S.TRA DTC144EE TL				1590001940	S.TRA DTC144EE TL		
	1590001940	S.TRA DTC144EE TL				1590004070	S.TRA LDTCL44EET1G		
Q5	1590001940	S.TRA DTC144EE TL	I	36.3/21.2	Q5	1590001940	S.TRA DTC144EE TL	I	36.3/21.2
	1590004070	S.TRA LDTCL44EET1G				1590001940	S.TRA DTC144EE TL		
	1590001940	S.TRA DTC144EE TL				1590004070	S.TRA LDTCL44EET1G		
	1590001940	S.TRA DTC144EE TL				1590001940	S.TRA DTC144EE TL		
	1590001940	S.TRA DTC144EE TL				1590004070	S.TRA LDTCL44EET1G		
	1590001940	S.TRA DTC144EE TL				1590001940	S.TRA DTC144EE TL		
	1590001940	S.TRA DTC144EE TL				1590004070	S.TRA LDTCL44EET1G		

Eqv.= This component is equivalent to the REF No. component listed above, and may be substituted on parts orders and repairs.

M.=Mounted side (T: Mounted on the Top side, B: Mounted on the Bottom side)
H/V LOCATION= Shows mounting location on the PCB.

The underlined parts have been updated from the addendum of the previous version, or from the original page.

[LOGIC-1 UNIT] (except for [#11], [#21], and [#31])

REF NO.	PART NO.	DESCRIPTION	M.	H/V LOCATION	REF NO.	PART NO.	DESCRIPTION	M.	H/V LOCATION					
D3	1750001810	S.DIO L1SS400T1G	[#43]	I	12.4/99.6	R60	7030016340	S.RES RMC1/16S-393JTH (39 k)	[#13]	B	22.0/8.4			
	1750001810	S.DIO L1SS400T1G	[#44]			R60	7030016340	S.RES RMC1/16S-393JTH (39 k)	[#14]					
	1750001810	S.DIO L1SS400T1G	[#46]			R60	7030016340	S.RES RMC1/16S-393JTH (39 k)	[#16]					
	1750001810	S.DIO L1SS400T1G	[#47]			R60	7030016340	S.RES RMC1/16S-393JTH (39 k)	[#17]					
	1750001810	S.DIO L1SS400T1G	[#53]			R60	7030016340	S.RES RMC1/16S-393JTH (39 k)	[#43]					
	1750001810	S.DIO L1SS400T1G	[#56]			R60	7030016340	S.RES RMC1/16S-393JTH (39 k)	[#44]					
	1750001810	S.DIO L1SS400T1G	[#63]			R60	7030016340	S.RES RMC1/16S-393JTH (39 k)	[#46]					
	1750001810	S.DIO L1SS400T1G	[#64]			R60	7030016340	S.RES RMC1/16S-393JTH (39 k)	[#47]					
	1750001810	S.DIO L1SS400T1G	[#66]			R61	7030016110	S.RES RMC1/16S-473JTH (47 k)	[#13]			B	13.3/8.8	
	1750001810	S.DIO L1SS400T1G	[#23]			R61	7030016110	S.RES RMC1/16S-473JTH (47 k)	[#14]					
	1750001810	S.DIO L1SS400T1G	[#24]			R61	7030016110	S.RES RMC1/16S-473JTH (47 k)	[#16]					
	1750001810	S.DIO L1SS400T1G	[#26]			R61	7030016110	S.RES RMC1/16S-473JTH (47 k)	[#17]					
	1750001810	S.DIO L1SS400T1G	[#27]			R61	7030016110	S.RES RMC1/16S-473JTH (47 k)	[#43]					
	1750001810	S.DIO L1SS400T1G	[#33]			R61	7030016110	S.RES RMC1/16S-473JTH (47 k)	[#44]					
	1750001810	S.DIO L1SS400T1G	[#34]			R61	7030016110	S.RES RMC1/16S-473JTH (47 k)	[#46]					
	1750001810	S.DIO L1SS400T1G	[#36]			R61	7030016110	S.RES RMC1/16S-473JTH (47 k)	[#47]					
	1750001810	S.DIO L1SS400T1G	[#53]			R62	7030016020	S.RES RMC1/16S-104JTH (100 k)	[#13]					B
1750001810	S.DIO L1SS400T1G	[#56]	R62	7030016020	S.RES RMC1/16S-104JTH (100 k)	[#14]								
1750001810	S.DIO L1SS400T1G	[#63]	R62	7030016020	S.RES RMC1/16S-104JTH (100 k)	[#16]								
1750001810	S.DIO L1SS400T1G	[#64]	R62	7030016020	S.RES RMC1/16S-104JTH (100 k)	[#17]								
1750001810	S.DIO L1SS400T1G	[#66]	R62	7030016020	S.RES RMC1/16S-104JTH (100 k)	[#43]								
1750001810	S.DIO L1SS400T1G	[#13]	R62	7030016020	S.RES RMC1/16S-104JTH (100 k)	[#44]								
1750001810	S.DIO L1SS400T1G	[#14]	R62	7030016020	S.RES RMC1/16S-104JTH (100 k)	[#46]								
1750001810	S.DIO L1SS400T1G	[#23]	R62	7030016020	S.RES RMC1/16S-104JTH (100 k)	[#47]								
1750001810	S.DIO L1SS400T1G	[#24]	R63	7030016330	S.RES RMC1/16S-153JTH (15 k)	[#13]	B	11.0/2.3						
1750001810	S.DIO L1SS400T1G	[#33]	R63	7030016330	S.RES RMC1/16S-153JTH (15 k)	[#14]								
1750001810	S.DIO L1SS400T1G	[#34]	R63	7030016330	S.RES RMC1/16S-153JTH (15 k)	[#16]								
1750001810	S.DIO L1SS400T1G	[#43]	R63	7030016330	S.RES RMC1/16S-153JTH (15 k)	[#17]								
1750001810	S.DIO L1SS400T1G	[#44]	R63	7030016330	S.RES RMC1/16S-153JTH (15 k)	[#43]								
1750001810	S.DIO L1SS400T1G	[#53]	R63	7030016330	S.RES RMC1/16S-153JTH (15 k)	[#44]								
1750001810	S.DIO L1SS400T1G	[#63]	R63	7030016330	S.RES RMC1/16S-153JTH (15 k)	[#46]								
1750001810	S.DIO L1SS400T1G	[#64]	R63	7030016330	S.RES RMC1/16S-153JTH (15 k)	[#47]								
1750001810	S.DIO L1SS400T1G	[#14]	R64	7030015960	S.RES RMC1/16S-472JTH (4.7 k)	[#13]			B	4.5/9.2				
1750001810	S.DIO L1SS400T1G	[#17]	R64	7030015960	S.RES RMC1/16S-472JTH (4.7 k)	[#14]								
1750001810	S.DIO L1SS400T1G	[#24]	R64	7030015960	S.RES RMC1/16S-472JTH (4.7 k)	[#16]								
1750001810	S.DIO L1SS400T1G	[#27]	R64	7030015960	S.RES RMC1/16S-472JTH (4.7 k)	[#17]								
1750001810	S.DIO L1SS400T1G	[#34]	R64	7030015960	S.RES RMC1/16S-472JTH (4.7 k)	[#43]								
1750001810	S.DIO L1SS400T1G	[#44]	R64	7030015960	S.RES RMC1/16S-472JTH (4.7 k)	[#44]								
1750001810	S.DIO L1SS400T1G	[#47]	R64	7030015960	S.RES RMC1/16S-472JTH (4.7 k)	[#46]								
1750001810	S.DIO L1SS400T1G	[#64]	R64	7030015960	S.RES RMC1/16S-472JTH (4.7 k)	[#47]								
D7	1750001970	S.ZEN DZ2J082M0L		B	29.4/73.2	R65					7030016040	S.RES RMC1/16S-224JTH (220 k)	[#13]	B
D8	1750001810	S.DIO L1SS400T1G		B	32.5/72.5	R65	7030016040	S.RES RMC1/16S-224JTH (220 k)			[#14]			
D16	1750001810	S.DIO L1SS400T1G	[#13]	B	13.2/6.8	R65	7030016040	S.RES RMC1/16S-224JTH (220 k)			[#16]			
	1750001810	S.DIO L1SS400T1G	[#14]	R65	7030016040	S.RES RMC1/16S-224JTH (220 k)	[#17]							
	1750001810	S.DIO L1SS400T1G	[#16]	R65	7030016040	S.RES RMC1/16S-224JTH (220 k)	[#43]							
	1750001810	S.DIO L1SS400T1G	[#17]	R65	7030016040	S.RES RMC1/16S-224JTH (220 k)	[#44]							
	1750001810	S.DIO L1SS400T1G	[#43]	R65	7030016040	S.RES RMC1/16S-224JTH (220 k)	[#46]							
	1750001810	S.DIO L1SS400T1G	[#44]	R65	7030016040	S.RES RMC1/16S-224JTH (220 k)	[#47]							
	1750001810	S.DIO L1SS400T1G	[#46]	R66	7030016040	S.RES RMC1/16S-224JTH (220 k)	[#13]	B			9.2/5.7			
	1750001810	S.DIO L1SS400T1G	[#47]	R66	7030016040	S.RES RMC1/16S-224JTH (220 k)	[#14]							
	1750001810	S.DIO L1SS400T1G	[#13]	R66	7030016040	S.RES RMC1/16S-224JTH (220 k)	[#16]							
	1750001810	S.DIO L1SS400T1G	[#14]	R66	7030016040	S.RES RMC1/16S-224JTH (220 k)	[#17]							
	1750001810	S.DIO L1SS400T1G	[#16]	R66	7030016040	S.RES RMC1/16S-224JTH (220 k)	[#43]							
	1750001810	S.DIO L1SS400T1G	[#17]	R66	7030016040	S.RES RMC1/16S-224JTH (220 k)	[#44]							
	1750001810	S.DIO L1SS400T1G	[#43]	R66	7030016040	S.RES RMC1/16S-224JTH (220 k)	[#46]							
	1750001810	S.DIO L1SS400T1G	[#44]	R66	7030016040	S.RES RMC1/16S-224JTH (220 k)	[#47]							
	1750001810	S.DIO L1SS400T1G	[#46]	R67	7030015970	S.RES RMC1/16S-103JTH (10 k)	[#13]		B	5.9/10.2				
	1750001810	S.DIO L1SS400T1G	[#47]	R67	7030015970	S.RES RMC1/16S-103JTH (10 k)	[#14]							
	1750001790	S.DIO 1SS390 TE61		B	40.7/57.6	R67	7030015970					S.RES RMC1/16S-103JTH (10 k)	[#16]	
D34	1750001810	S.DIO L1SS400T1G		B	26.3/36.4	R67	7030015970					S.RES RMC1/16S-103JTH (10 k)	[#17]	
D35	1750001810	S.DIO L1SS400T1G		B	45.0/44.6	R67	7030015970					S.RES RMC1/16S-103JTH (10 k)	[#43]	
D46	1750001810	S.DIO L1SS400T1G	[#13]	T	17.8/12.6	R67	7030015970					S.RES RMC1/16S-103JTH (10 k)	[#44]	
	1750001810	S.DIO L1SS400T1G	[#14]	R67	7030015970	S.RES RMC1/16S-103JTH (10 k)	[#46]							
	1750001810	S.DIO L1SS400T1G	[#16]	R67	7030015970	S.RES RMC1/16S-103JTH (10 k)	[#47]							
	1750001810	S.DIO L1SS400T1G	[#17]	R68	7030016200	S.RES RMC1/16S-274JTH (270 k)	[#13]					B	5.9/11.8	
	1750001810	S.DIO L1SS400T1G	[#17]	R68	7030016200	S.RES RMC1/16S-274JTH (270 k)	[#14]							
	1750001810	S.DIO L1SS400T1G	[#43]	R68	7030016200	S.RES RMC1/16S-274JTH (270 k)	[#16]							
	1750001810	S.DIO L1SS400T1G	[#44]	R68	7030016200	S.RES RMC1/16S-274JTH (270 k)	[#17]							
	1750001810	S.DIO L1SS400T1G	[#46]	R68	7030016200	S.RES RMC1/16S-274JTH (270 k)	[#43]							
	1750001810	S.DIO L1SS400T1G	[#47]	R68	7030016200	S.RES RMC1/16S-274JTH (270 k)	[#44]							
	1750001810	S.DIO L1SS400T1G	[#47]	R68	7030016200	S.RES RMC1/16S-274JTH (270 k)	[#46]							
	1750001810	S.DIO L1SS400T1G	[#47]	R68	7030016200	S.RES RMC1/16S-274JTH (270 k)	[#47]							
	D47	1750001810	S.DIO L1SS400T1G		B	32.5/17.4	R69	7030016360			S.RES RMC1/16S-123JTH (12 k)			[#13]
	D48	1750001810	S.DIO L1SS400T1G		B	36.0/28.1	R69	7030016360	S.RES RMC1/16S-123JTH (12 k)	[#14]				
	X1	6050013790	S.XTA CR-981 (19.6608 MHz)		B	39.7/53.9	R69	7030016360	S.RES RMC1/16S-123JTH (12 k)	[#16]				
		6050013950	S.XTA CR-995 (19.6608 MHz)		B		R69	7030016360	S.RES RMC1/16S-123JTH (12 k)	[#17]				
	R3	7030015910	S.RES RMC1/16S-101JTH (100 k)	[#13]	B	33.6/8.2	R69	7030016360	S.RES RMC1/16S-123JTH (12 k)	[#43]				
		7030015910	S.RES RMC1/16S-101JTH (100 k)	[#14]			R69	7030016360	S.RES RMC1/16S-123JTH (12 k)	[#44]				
7030015910		S.RES RMC1/16S-101JTH (100 k)	[#16]	R69			7030016360	S.RES RMC1/16S-123JTH (12 k)	[#46]					
7030015910		S.RES RMC1/16S-101JTH (100 k)	[#17]	R69			7030016360	S.RES RMC1/16S-123JTH (12 k)	[#47]					
7030015910		S.RES RMC1/16S-101JTH (100 k)	[#43]	R72			7030015960	S.RES RMC1/16S-472JTH (4.7 k)	[#13]	B	9.9/15.3			
7030015910		S.RES RMC1/16S-101JTH (100 k)	[#44]	R72			7030015960	S.RES RMC1/16S-472JTH (4.7 k)	[#14]					
7030015910		S.RES RMC1/16S-101JTH (100 k)	[#46]	R72			7030015960	S.RES RMC1/16S-472JTH (4.7 k)	[#16]					
7030015910		S.RES RMC1/16S-101JTH (100 k)	[#47]	R72			7030015960	S.RES RMC1/16S-472JTH (4.7 k)	[#17]					
7030015910		S.RES RMC1/16S-101JTH (100 k)	[#47]	R72			7030015960	S.RES RMC1/16S-472JTH (4.7 k)	[#43]					
7030016020		S.RES RMC1/16S-104JTH (100 k)		B			23.5/70.8	R72	7030015960			S.RES RMC1/16S-472JTH (4.7 k)	[#44]	
7030016020	S.RES RMC1/16S-104JTH (100 k)		B	22.6/70.8	R72	7030015960	S.RES RMC1/16S-472JTH (4.7 k)	[#46]						
7030015970	S.RES RMC1/16S-103JTH (10 k)		B	26.9/73.2	R72	7030015960	S.RES RMC1/16S-472JTH (4.7 k)	[#47]						
7030015970	S.RES RMC1/16S-103JTH (10 k)		B	28.3/71.6	R73	7030015960	S.RES RMC1/16S-472JTH (4.7 k)	[#13]	B			21.7/24.9		
R25	7030016160	S.RES RMC1/16S-820JTH (82)		T	11.0/35.2	R73	7030015960	S.RES RMC1/16S-472JTH (4.7 k)					[#14]	
R26	7030016160	S.RES RMC1/16S-820JTH (82)		T	22.0/35.2	R73	7030015960	S.RES RMC1/16S-472JTH (4.7 k)					[#16]	
R28	7030016560	S.RES RMC1/16SJPTH	[#13]	B	31.8/8.2	R73	7030015960	S.RES RMC1/16S-472JTH (4.7 k)					[#17]	
7030016560	S.RES RMC1/16SJPTH	[#14]	R73	7030015960	S.RES RMC1/16S-472JTH (4.7 k)	[#43]								
7030016560	S.RES RMC1/16SJPTH	[#16]	R73	7030015960	S.RES RMC1/16S-472JTH (4.7 k)	[#44]								
7030016560	S.RES RMC1/16SJPTH	[#17]	R73	7030015960	S.RES RMC1/16S-472JTH (4.7 k)	[#46]								
7030016560	S.RES RMC1/16SJPTH	[#43]	R73	7030015960	S.RES RMC1/16S-472JTH (4.7 k)	[#47]								
7030016560	S.RES RMC1/16SJPTH	[#44]	R73	7030015960	S.RES RMC1/16S-472JTH (4.7 k)	[#47]								
7030016560	S.RES RMC1/16SJPTH	[#46]	R73	7030015960	S.RES RMC1/16S-472JTH (4.7 k)	[#47]								
7030016560	S.RES RMC1/16SJPTH	[#47]	R73	7030015960	S.RES RMC1/16S-472JTH (4.7 k)	[#47]								

Eqv.= This component is equivalent to the REF No. component listed above, and may be substituted on parts orders and repairs.

M.=Mounted side (T: Mounted on the Top side, B: Mounted on the Bottom side)
H/V LOCATION= Shows mounting location on the PCB.

The underlined parts have been updated from the addendum of the previous version, or from the original page.

[LOGIC-1 UNIT] (except for [#11], [#21], and [#31])

REF NO.	PART NO.	DESCRIPTION	M.	H/V LOCATION	REF NO.	PART NO.	DESCRIPTION	M.	H/V LOCATION		
R74	7030016040	S.RES RMC1/16S-224JTH (220 k) [#13]	B	21.7/24.0	R86	7030016560	S.RES RMC1/16SJPTH (220 k) [#13]	B	15.3/21.3		
	7030016040	S.RES RMC1/16S-224JTH (220 k) [#14]				7030016560	S.RES RMC1/16SJPTH (220 k) [#14]				
	7030016040	S.RES RMC1/16S-224JTH (220 k) [#16]				7030016560	S.RES RMC1/16SJPTH (220 k) [#16]				
	7030016040	S.RES RMC1/16S-224JTH (220 k) [#17]				7030016560	S.RES RMC1/16SJPTH (220 k) [#17]				
	7030016040	S.RES RMC1/16S-224JTH (220 k) [#43]				7030016560	S.RES RMC1/16SJPTH (220 k) [#43]				
R75	7030016110	S.RES RMC1/16S-473JTH (47 k) [#44]	B	23.7/24.0	R88	7030016560	S.RES RMC1/16SJPTH (220 k) [#44]	B	18.2/23.5		
	7030016110	S.RES RMC1/16S-473JTH (47 k) [#46]				7030016560	S.RES RMC1/16SJPTH (220 k) [#46]				
	7030016110	S.RES RMC1/16S-473JTH (47 k) [#47]				7030016560	S.RES RMC1/16SJPTH (220 k) [#47]				
	7030016110	S.RES RMC1/16S-473JTH (47 k) [#13]				7030016000	S.RES RMC1/16S-823JTH (82 k) [#13]				
	7030016110	S.RES RMC1/16S-473JTH (47 k) [#14]				7030016000	S.RES RMC1/16S-823JTH (82 k) [#14]				
	7030016110	S.RES RMC1/16S-473JTH (47 k) [#16]				7030016000	S.RES RMC1/16S-823JTH (82 k) [#16]				
	7030016110	S.RES RMC1/16S-473JTH (47 k) [#17]				7030016000	S.RES RMC1/16S-823JTH (82 k) [#17]				
	7030016110	S.RES RMC1/16S-473JTH (47 k) [#43]				7030016000	S.RES RMC1/16S-823JTH (82 k) [#43]				
	7030016110	S.RES RMC1/16S-473JTH (47 k) [#44]				7030016000	S.RES RMC1/16S-823JTH (82 k) [#44]				
	7030016110	S.RES RMC1/16S-473JTH (47 k) [#46]				7030016000	S.RES RMC1/16S-823JTH (82 k) [#46]				
R76	7030016110	S.RES RMC1/16S-473JTH (47 k) [#47]	B	22.7/26.4	R91	7030016000	S.RES RMC1/16S-823JTH (82 k) [#47]	B	23.0/10.4		
	7030016110	S.RES RMC1/16S-473JTH (47 k) [#13]				7030016100	S.RES RMC1/16S-334JTH (330 k) [#13]				
	7030016110	S.RES RMC1/16S-473JTH (47 k) [#14]				7030016100	S.RES RMC1/16S-334JTH (330 k) [#14]				
	7030016110	S.RES RMC1/16S-473JTH (47 k) [#16]				7030016100	S.RES RMC1/16S-334JTH (330 k) [#16]				
	7030016110	S.RES RMC1/16S-473JTH (47 k) [#17]				7030016100	S.RES RMC1/16S-334JTH (330 k) [#17]				
	7030016110	S.RES RMC1/16S-473JTH (47 k) [#43]				7030016100	S.RES RMC1/16S-334JTH (330 k) [#43]				
	7030016110	S.RES RMC1/16S-473JTH (47 k) [#44]				7030016100	S.RES RMC1/16S-334JTH (330 k) [#44]				
	7030016110	S.RES RMC1/16S-473JTH (47 k) [#46]				7030016100	S.RES RMC1/16S-334JTH (330 k) [#46]				
	7030016110	S.RES RMC1/16S-473JTH (47 k) [#47]				7030016100	S.RES RMC1/16S-334JTH (330 k) [#47]				
	R77	7030016040				S.RES RMC1/16S-224JTH (220 k) [#13]	B			24.8/25.0	R93
7030016040		S.RES RMC1/16S-224JTH (220 k) [#14]	7030016070	S.RES RMC1/16S-474JTH (470 k) [#14]							
7030016040		S.RES RMC1/16S-224JTH (220 k) [#16]	7030016070	S.RES RMC1/16S-474JTH (470 k) [#16]							
7030016040		S.RES RMC1/16S-224JTH (220 k) [#17]	7030016070	S.RES RMC1/16S-474JTH (470 k) [#17]							
7030016040		S.RES RMC1/16S-224JTH (220 k) [#43]	7030016070	S.RES RMC1/16S-474JTH (470 k) [#43]							
7030016040		S.RES RMC1/16S-224JTH (220 k) [#44]	7030016070	S.RES RMC1/16S-474JTH (470 k) [#44]							
7030016040		S.RES RMC1/16S-224JTH (220 k) [#46]	7030016070	S.RES RMC1/16S-474JTH (470 k) [#46]							
7030016040		S.RES RMC1/16S-224JTH (220 k) [#47]	7030016070	S.RES RMC1/16S-474JTH (470 k) [#47]							
7030015960		S.RES RMC1/16S-472JTH (47 k) [#13]	7030016450	S.RES RMC1/16S-824JTH (820 k) [#13]							
7030015960		S.RES RMC1/16S-472JTH (47 k) [#14]	7030016450	S.RES RMC1/16S-824JTH (820 k) [#14]							
R78	7030015960	S.RES RMC1/16S-472JTH (47 k) [#16]	B	26.5/25.5	R94	7030016450	S.RES RMC1/16S-824JTH (820 k) [#16]	B	23.0/13.7		
	7030015960	S.RES RMC1/16S-472JTH (47 k) [#17]				7030016450	S.RES RMC1/16S-824JTH (820 k) [#17]				
	7030015960	S.RES RMC1/16S-472JTH (47 k) [#43]				7030016450	S.RES RMC1/16S-824JTH (820 k) [#43]				
	7030015960	S.RES RMC1/16S-472JTH (47 k) [#44]				7030016450	S.RES RMC1/16S-824JTH (820 k) [#44]				
	7030015960	S.RES RMC1/16S-472JTH (47 k) [#46]				7030016450	S.RES RMC1/16S-824JTH (820 k) [#46]				
	7030015960	S.RES RMC1/16S-472JTH (47 k) [#47]				7030016450	S.RES RMC1/16S-824JTH (820 k) [#47]				
	7030016120	S.RES RMC1/16S-682JTH (6.8 k) [#13]				7030016090	S.RES RMC1/16S-223JTH (22 k) [#13]				
	7030016120	S.RES RMC1/16S-682JTH (6.8 k) [#14]				7030016090	S.RES RMC1/16S-223JTH (22 k) [#14]				
	7030016120	S.RES RMC1/16S-682JTH (6.8 k) [#16]				7030016090	S.RES RMC1/16S-223JTH (22 k) [#16]				
	7030016120	S.RES RMC1/16S-682JTH (6.8 k) [#17]				7030016090	S.RES RMC1/16S-223JTH (22 k) [#17]				
R79	7030016120	S.RES RMC1/16S-682JTH (6.8 k) [#43]	B	24.8/13.4	R95	7030016090	S.RES RMC1/16S-223JTH (22 k) [#43]	B	19.2/13.0		
	7030016120	S.RES RMC1/16S-682JTH (6.8 k) [#44]				7030016090	S.RES RMC1/16S-223JTH (22 k) [#44]				
	7030016120	S.RES RMC1/16S-682JTH (6.8 k) [#46]				7030016090	S.RES RMC1/16S-223JTH (22 k) [#46]				
	7030016120	S.RES RMC1/16S-682JTH (6.8 k) [#47]				7030016090	S.RES RMC1/16S-223JTH (22 k) [#47]				
	7030016030	S.RES RMC1/16S-154JTH (150 k) [#13]				7030016320	S.RES RMC1/16S-225JTH (2.2 M) [#13]				
	7030016030	S.RES RMC1/16S-154JTH (150 k) [#14]				7030016320	S.RES RMC1/16S-225JTH (2.2 M) [#14]				
	7030016030	S.RES RMC1/16S-154JTH (150 k) [#16]				7030016320	S.RES RMC1/16S-225JTH (2.2 M) [#16]				
	7030016030	S.RES RMC1/16S-154JTH (150 k) [#17]				7030016320	S.RES RMC1/16S-225JTH (2.2 M) [#17]				
	7030016030	S.RES RMC1/16S-154JTH (150 k) [#43]				7030016320	S.RES RMC1/16S-225JTH (2.2 M) [#43]				
	7030016030	S.RES RMC1/16S-154JTH (150 k) [#44]				7030016320	S.RES RMC1/16S-225JTH (2.2 M) [#44]				
R80	7030016030	S.RES RMC1/16S-154JTH (150 k) [#46]	B	26.0/15.4	R112	7030016320	S.RES RMC1/16S-225JTH (2.2 M) [#46]	B	16.7/11.0		
	7030016030	S.RES RMC1/16S-154JTH (150 k) [#47]				7030016320	S.RES RMC1/16S-225JTH (2.2 M) [#47]				
	7030016290	S.RES RMC1/16S-222JTH (2.2 k) [#13]				7030016060	S.RES RMC1/16S-105JTH (1 M) [#13]				
	7030016290	S.RES RMC1/16S-222JTH (2.2 k) [#14]				7030016060	S.RES RMC1/16S-105JTH (1 M) [#14]				
	7030016290	S.RES RMC1/16S-222JTH (2.2 k) [#16]				7030016060	S.RES RMC1/16S-105JTH (1 M) [#16]				
	7030016290	S.RES RMC1/16S-222JTH (2.2 k) [#17]				7030016060	S.RES RMC1/16S-105JTH (1 M) [#17]				
	7030016290	S.RES RMC1/16S-222JTH (2.2 k) [#43]				7030016060	S.RES RMC1/16S-105JTH (1 M) [#43]				
	7030016290	S.RES RMC1/16S-222JTH (2.2 k) [#44]				7030016060	S.RES RMC1/16S-105JTH (1 M) [#44]				
	7030016290	S.RES RMC1/16S-222JTH (2.2 k) [#46]				7030016060	S.RES RMC1/16S-105JTH (1 M) [#46]				
	7030016290	S.RES RMC1/16S-222JTH (2.2 k) [#47]				7030016060	S.RES RMC1/16S-105JTH (1 M) [#47]				
R81	7030016290	S.RES RMC1/16S-222JTH (2.2 k) [#13]	B	23.9/15.0	R145	7030016060	S.RES RMC1/16S-105JTH (1 M) [#13]	T	2.2/13.8		
	7030016290	S.RES RMC1/16S-222JTH (2.2 k) [#14]			R146	7030016060	S.RES RMC1/16S-105JTH (1 M) [#14]	T	2.7/14.8		
	7030016290	S.RES RMC1/16S-222JTH (2.2 k) [#16]			R147	7030016060	S.RES RMC1/16S-105JTH (1 M) [#16]	T	5.6/13.8		
	7030016290	S.RES RMC1/16S-222JTH (2.2 k) [#17]			R148	7030016060	S.RES RMC1/16S-105JTH (1 M) [#17]	T	4.1/9.3		
	7030016290	S.RES RMC1/16S-222JTH (2.2 k) [#43]			R151	7510001661	S.THR NTCC16 4LH 473JT	T	34.8/24.7		
	7030016290	S.RES RMC1/16S-222JTH (2.2 k) [#44]			R152	7030008270	S.RES RR0510P-104-D (100 k)	T	36.8/25.5		
	7030016290	S.RES RMC1/16S-222JTH (2.2 k) [#46]			R558	7030016360	S.RES RMC1/16S-123JTH (12 k) [#13]	B	21.5/9.8		
	7030016290	S.RES RMC1/16S-222JTH (2.2 k) [#47]				7030016360	S.RES RMC1/16S-123JTH (12 k) [#14]				
	7030015960	S.RES RMC1/16S-472JTH (47 k) [#13]				7030016360	S.RES RMC1/16S-123JTH (12 k) [#16]				
	7030015960	S.RES RMC1/16S-472JTH (47 k) [#14]				7030016360	S.RES RMC1/16S-123JTH (12 k) [#17]				
R82	7030015960	S.RES RMC1/16S-472JTH (47 k) [#16]	B	26.4/13.3		7030016360	S.RES RMC1/16S-123JTH (12 k) [#43]				
	7030015960	S.RES RMC1/16S-472JTH (47 k) [#17]				7030016360	S.RES RMC1/16S-123JTH (12 k) [#44]				
	7030015960	S.RES RMC1/16S-472JTH (47 k) [#43]				7030016360	S.RES RMC1/16S-123JTH (12 k) [#46]				
	7030015960	S.RES RMC1/16S-472JTH (47 k) [#44]				7030016360	S.RES RMC1/16S-123JTH (12 k) [#47]				
	7030015960	S.RES RMC1/16S-472JTH (47 k) [#46]					7030015520	S.RES RMC1/16JPTH			
	7030015960	S.RES RMC1/16S-472JTH (47 k) [#47]				R595	7030015900	S.RES RMC1/16S-470JTH (47 k) [#13]	B	28.0/32.2	
	7030016040	S.RES RMC1/16S-224JTH (220 k) [#13]			B	22.4/15.3	R856	7030015900	S.RES RMC1/16S-470JTH (47 k) [#14]	B	19.2/88.3
	7030016040	S.RES RMC1/16S-224JTH (220 k) [#14]						7030015900	S.RES RMC1/16S-470JTH (47 k) [#16]		
	7030016040	S.RES RMC1/16S-224JTH (220 k) [#16]						7030015900	S.RES RMC1/16S-470JTH (47 k) [#17]		
	7030016040	S.RES RMC1/16S-224JTH (220 k) [#17]						7030015900	S.RES RMC1/16S-470JTH (47 k) [#43]		
7030016040	S.RES RMC1/16S-224JTH (220 k) [#43]		7030015900	S.RES RMC1/16S-470JTH (47 k) [#44]							
7030016040	S.RES RMC1/16S-224JTH (220 k) [#44]		7030015900	S.RES RMC1/16S-470JTH (47 k) [#46]							
7030016040	S.RES RMC1/16S-224JTH (220 k) [#46]		7030015900	S.RES RMC1/16S-470JTH (47 k) [#47]							
7030016040	S.RES RMC1/16S-224JTH (220 k) [#47]			7030016560			S.RES RMC1/16SJPTH (220 k) [#13]	B	18.8/85.4		
7030015960	S.RES RMC1/16S-472JTH (47 k) [#13]	B	16.6/18.5				7030016560			S.RES RMC1/16SJPTH (220 k) [#14]	
7030015960	S.RES RMC1/16S-472JTH (47 k) [#14]						7030016560			S.RES RMC1/16SJPTH (220 k) [#16]	
7030015960	S.RES RMC1/16S-472JTH (47 k) [#16]				7030016560	S.RES RMC1/16SJPTH (220 k) [#17]					
7030015960	S.RES RMC1/16S-472JTH (47 k) [#17]				7030016560	S.RES RMC1/16SJPTH (220 k) [#43]					
7030015960	S.RES RMC1/16S-472JTH (47 k) [#43]				7030016560	S.RES RMC1/16SJPTH (220 k) [#44]					
7030015960	S.RES RMC1/16S-472JTH (47 k) [#44]				7030016560	S.RES RMC1/16SJPTH (220 k) [#46]					
7030015960	S.RES RMC1/16S-472JTH (47 k) [#46]				7030016560	S.RES RMC1/16SJPTH (220 k) [#47]					
7030015960	S.RES RMC1/16S-472JTH (47 k) [#47]					7030016560	S.RES RMC1/16SJPTH (220 k) [#13]				
7030016360	S.RES RMC1/16S-123JTH (12 k) [#13]			B	14.4/21.3	R858	7030016560			S.RES RMC1/16SJPTH (220 k) [#14]	B
7030016360	S.RES RMC1/16S-123JTH (12 k) [#14]						7030016560	S.RES RMC1/16SJPTH (220 k) [#16]			
7030016360	S.RES RMC1/16S-123JTH (12 k) [#16]		7030016560			S.RES RMC1/16SJPTH (220 k) [#17]					
7030016360	S.RES RMC1/16S-123JTH (12 k) [#17]		7030016560			S.RES RMC1/16SJPTH (220 k) [#43]					
7030016360	S.RES RMC1/16S-123JTH (12 k) [#43]		7030016560			S.RES RMC1/16SJPTH (220 k) [#44]					
7030016360	S.RES RMC1/16S-123JTH (12 k) [#44]		7030016560			S.RES RMC1/16SJPTH (220 k) [#46]					
7030016360	S.RES RMC1/16S-123JTH (12 k) [#46]		7030016560			S.RES RMC1/16SJPTH (220 k) [#47]					
7030016360	S.RES RMC1/16S-123JTH (12 k) [#47]										

Eqv.= This component is equivalent to the REF No. component listed above, and may be substituted on parts orders and repairs.

M.=Mounted side (T: Mounted on the Top side, B: Mounted on the Bottom side)
H/V LOCATION= Shows mounting location on the PCB.

The underlined parts have been updated from the addendum of the previous version, or from the original page.

[LOGIC-1 UNIT] (except for [#11], [#21], and [#31])

Table with columns: REF NO., PART NO., DESCRIPTION, M., H/V LOCATION. Rows include components like R935, R937, R940, etc., with descriptions such as RMC1/16S-472JTH (4.7 k) and MCR006YLPJ 100 (10).

Table with columns: REF NO., PART NO., DESCRIPTION, M., H/V LOCATION. Rows include components like R1025, R1026, R1027, etc., with descriptions such as MCR006YLPJ 100 (10) and TP76D1190E20-20.5F-10KB-3699.

Eqv.= This component is equivalent to the REF No. component listed above, and may be substituted on parts orders and repairs.

M.=Mounted side (T: Mounted on the Top side, B: Mounted on the Bottom side) H/V LOCATION= Shows mounting location on the PCB.

The underlined parts have been updated from the addendum of the previous version, or from the original page.

[LOGIC-1 UNIT] (except for [#11], [#21], and [#31])

REF NO.	PART NO.	DESCRIPTION	M.	H/V LOCATION
C711	4030023090	S.CER 0402B102K500CT	B	39.1/33.8
Eqv.	4030026210	S.CER MG15B102K500CT		
C712	4030022920	S.CER 0402N820J500CT	B	31.2/45.6
C713	4030022920	S.CER 0402N820J500CT	B	24.5/42.4
C714	4030020000	S.CER C1005 JB 1A 105K-T	B	31.3/65.3
C715	4030023820	S.CER 0603B104K250CT	B	26.7/63.6
Eqv.	4030026170	S.CER MG18B104K250CT		
C716	4030023210	S.CER 0402B472K500CT	B	34.1/64.8
C717	4030023210	S.CER 0402B472K500CT	B	26.9/58.1
C718	4030023210	S.CER 0402B472K500CT	B	31.5/27.6
C719	4030023210	S.CER 0402B472K500CT	B	40.0/18.9
C720	4550008210	S.TAN 267M3502 104MR	B	5.8/15.6
	4550008210	S.TAN 267M3502 104MR		[#13]
	4550008210	S.TAN 267M3502 104MR		[#14]
	4550008210	S.TAN 267M3502 104MR		[#16]
	4550008210	S.TAN 267M3502 104MR		[#17]
	4550008210	S.TAN 267M3502 104MR		[#43]
	4550008210	S.TAN 267M3502 104MR		[#44]
	4550008210	S.TAN 267M3502 104MR		[#46]
	4550008210	S.TAN 267M3502 104MR		[#47]
C721	4550008210	S.TAN 267M3502 104MR	B	9.1/20.4
	4550008210	S.TAN 267M3502 104MR		[#13]
	4550008210	S.TAN 267M3502 104MR		[#14]
	4550008210	S.TAN 267M3502 104MR		[#16]
	4550008210	S.TAN 267M3502 104MR		[#17]
	4550008210	S.TAN 267M3502 104MR		[#43]
	4550008210	S.TAN 267M3502 104MR		[#44]
	4550008210	S.TAN 267M3502 104MR		[#46]
	4550008210	S.TAN 267M3502 104MR		[#47]
C722	4030021240	S.CER C1005 JB 1C 105K-T	B	34.5/15.4
	4030021240	S.CER C1005 JB 1C 105K-T		[#13]
	4030021240	S.CER C1005 JB 1C 105K-T		[#14]
	4030021240	S.CER C1005 JB 1C 105K-T		[#16]
	4030021240	S.CER C1005 JB 1C 105K-T		[#17]
	4030021240	S.CER C1005 JB 1C 105K-T		[#43]
	4030021240	S.CER C1005 JB 1C 105K-T		[#44]
	4030021240	S.CER C1005 JB 1C 105K-T		[#46]
	4030021240	S.CER C1005 JB 1C 105K-T		[#47]
C723	4030021240	S.CER C1005 JB 1C 105K-T	B	26.5/72.0
C724	4030023090	S.CER 0402B102K500CT	B	35.9/58.6
Eqv.	4030026210	S.CER MG15B102K500CT		
C725	4030023090	S.CER 0402B102K500CT	T	37.7/21.4
Eqv.	4030026210	S.CER MG15B102K500CT		
C727	4030023090	S.CER 0402B102K500CT	B	43.9/57.2
Eqv.	4030026210	S.CER MG15B102K500CT		
C730	4030023090	S.CER 0402B102K500CT	B	21.5/55.5
Eqv.	4030026210	S.CER MG15B102K500CT		
J1	6510030220	S.CON 50RF-JMCS-G-1B-TF (N) (LF) (SN)	B	35.5/23.0
J2	6510031390	S.CON 15FXVL-RSM1-GAN-TF-1 (HF)	T	9.4/7.9
J3	6510023480	S.CON AYU1-1P-02676-120-TF	B	23.2/96.1
	6510023480	S.CON AYU1-1P-02676-120-TF		[#13]
	6510023480	S.CON AYU1-1P-02676-120-TF		[#14]
	6510023480	S.CON AYU1-1P-02676-120-TF		[#16]
	6510023480	S.CON AYU1-1P-02676-120-TF		[#17]
	6510023480	S.CON AYU1-1P-02676-120-TF		[#43]
	6510023480	S.CON AYU1-1P-02676-120-TF		[#44]
	6510023480	S.CON AYU1-1P-02676-120-TF		[#46]
	6510023480	S.CON AYU1-1P-02676-120-TF		[#47]
J4	6510031380	S.CON 31FXVL-RSM1-GAN-TF-1(HF)	T	24.4/24.8
DS2	5040003550	S.LED NSSW208T	T	13.8/35.5
DS3	5040003550	S.LED NSSW208T	T	24.8/35.5
DS4	5040003550	S.LED NSSW208T	T	35.8/35.5
DS5	5030004360	LCD TM128160D1CIWUGND		
S23	2260003320	S.SWI SKRTLAE010	B	2.1/83.2
S24	2260003320	S.SWI SKRTLAE010	B	2.1/44.4
S25	2260003320	S.SWI SKRTLAE010	B	2.1/34.4
EP3	6910023920	S.BEA BLM15GA750SN1D	B	38.5/16.4
	6910023920	S.BEA BLM15GA750SN1D		[#13]
	6910023920	S.BEA BLM15GA750SN1D		[#14]
	6910023920	S.BEA BLM15GA750SN1D		[#16]
	6910023920	S.BEA BLM15GA750SN1D		[#17]
	6910023920	S.BEA BLM15GA750SN1D		[#43]
	6910023920	S.BEA BLM15GA750SN1D		[#44]
	6910023920	S.BEA BLM15GA750SN1D		[#46]
	6910023920	S.BEA BLM15GA750SN1D		[#47]
EP4	6910023920	S.BEA BLM15GA750SN1D	B	36.9/15.3
	6910023920	S.BEA BLM15GA750SN1D		[#13]
	6910023920	S.BEA BLM15GA750SN1D		[#14]
	6910023920	S.BEA BLM15GA750SN1D		[#16]
	6910023920	S.BEA BLM15GA750SN1D		[#17]
	6910023920	S.BEA BLM15GA750SN1D		[#43]
	6910023920	S.BEA BLM15GA750SN1D		[#44]
	6910023920	S.BEA BLM15GA750SN1D		[#46]
	6910023920	S.BEA BLM15GA750SN1D		[#47]
EP9	6910020610	S.BEA BLM15BD102SN1D	B	18.4/90.9
	6910020610	S.BEA BLM15BD102SN1D		[#13]
	6910020610	S.BEA BLM15BD102SN1D		[#14]
	6910020610	S.BEA BLM15BD102SN1D		[#16]
	6910020610	S.BEA BLM15BD102SN1D		[#17]
	6910020610	S.BEA BLM15BD102SN1D		[#43]
	6910020610	S.BEA BLM15BD102SN1D		[#44]
	6910020610	S.BEA BLM15BD102SN1D		[#46]
	6910020610	S.BEA BLM15BD102SN1D		[#47]
EP10	6910020610	S.BEA BLM15BD102SN1D	T	34.7/22.6
EP11	6910020610	S.BEA BLM15BD102SN1D	T	30.8/20.7
EP12	6910020610	S.BEA BLM15BD102SN1D	T	25.0/21.2
EP13	6910020610	S.BEA BLM15BD102SN1D	T	17.7/28.7
EP14	6910020610	S.BEA BLM15BD102SN1D	T	23.2/21.2
EP16	6910020610	S.BEA BLM15BD102SN1D	T	17.7/27.8
EP19	6910020610	S.BEA BLM15BD102SN1D	T	22.3/21.2

Eqv.= This component is equivalent to the REF No. component listed above, and may be substituted on parts orders and repairs.

M.=Mounted side (T: Mounted on the Top side, B: Mounted on the Bottom side)
H/V LOCATION= Shows mounting location on the PCB.

The underlined parts have been updated from the addendum of the previous version, or from the original page.

[MAIN-1 UNIT] (for [#13], [#14], [#16], [#17], [#23], [#24], [#26], [#27], [#33], [#34], and [#36])

REF NO.	PART NO.	DESCRIPTION	M.	H/V LOCATION	REF NO.	PART NO.	DESCRIPTION	M.	H/V LOCATION
IC1	1110007300	S.IC NJM2552V-TE1	B	35.6/72.6	Q217	1590004070	S.TRA LDTC144EET1G	B	15.6/43.9
IC2	1130009981	S.IC TC7W53FK (TE85LF)	B	33.1/63.1	Eqv.	1590001940	S.TRA DTC144EE TL	[#13]	
IC5	1130011760	S.IC CD4094BPWR	B	39.9/44.3	Eqv.	1590001940	S.TRA DTC144EE TL	[#14]	
IC14	1110006490	S.IC LMV321IDCKR	T	7.7/69.0	Eqv.	1590001940	S.TRA DTC144EE TL	[#16]	
IC22	1110006490	S.IC LMV321IDCKR	B	23.9/64.7	Eqv.	1590001940	S.TRA DTC144EE TL	[#17]	
IC24	1130007021	S.IC TC7S66FU (TE85LF)	B	41.0/79.3	Eqv.	1590001940	S.TRA DTC144EE TL	[#26]	
IC25	1110006490	S.IC LMV321IDCKR	B	21.3/70.5	Eqv.	1590001940	S.TRA DTC144EE TL	[#33]	
IC203	1130017460	S.IC AK1542A-L	B	29.7/44.6	Eqv.	1590001940	S.TRA DTC144EE TL	[#34]	
IC215	1110007630	S.IC NJM2783V-TE1	T	41.5/30.8	Eqv.	1590001940	S.TRA DTC144EE TL	[#36]	
IC216	1110007291	S.IC AK2330P7-L	T	24.7/60.1	Q218	1590004070	S.TRA LDTC144EET1G	T	30.7/60.7
IC219	1130007021	S.IC TC7S66FU (TE85LF)	B	22.3/46.2	Eqv.	1590001940	S.TRA DTC144EE TL	[#13]	
IC220	1110007291	S.IC AK2330P7-L	T	28.4/37.4	Eqv.	1590001940	S.TRA DTC144EE TL	[#14]	
IC221	1110008450	S.IC ISD8102SYI T&R	B	30.6/26.5	Eqv.	1590001940	S.TRA DTC144EE TL	[#16]	
IC222	1110008550	S.IC NJM2904CRB1-TE1	B	24.9/59.2	Eqv.	1590001940	S.TRA DTC144EE TL	[#17]	
IC223	1110008550	S.IC NJM2904CRB1-TE1	B	9.9/30.9	Eqv.	1590001940	S.TRA DTC144EE TL	[#26]	
IC224	1110008550	S.IC NJM2904CRB1-TE1	B	10.0/25.6	Eqv.	1590001940	S.TRA DTC144EE TL	[#33]	
IC225	1110008550	S.IC NJM2904CRB1-TE1	B	10.0/21.1	Eqv.	1590001940	S.TRA DTC144EE TL	[#34]	
IC226	1110008550	S.IC NJM2904CRB1-TE1	B	10.0/15.8	Eqv.	1590001940	S.TRA DTC144EE TL	[#36]	
IC228	1130009981	S.IC TC7W53FK (TE85LF)	B	10.5/11.8	Q220	1590004070	S.TRA LDTC144EET1G	T	18.7/7.2
IC229	1110008680	S.IC NJU72341V-TE2	T	38.6/39.5	Eqv.	1590001940	S.TRA DTC144EE TL	[#13]	
IC231	1130009981	S.IC TC7W53FK (TE85LF)	T	42.3/48.4	Eqv.	1590001940	S.TRA DTC144EE TL	[#14]	
IC232	1110008550	S.IC NJM2904CRB1-TE1	T	44.5/41.7	Eqv.	1590001940	S.TRA DTC144EE TL	[#16]	
IC233	1110006490	S.IC LMV321IDCKR	B	11.9/5.8	Eqv.	1590001940	S.TRA DTC144EE TL	[#17]	
IC234	6910026630	S.DC XC9263B75DER-G	B	30.6/8.3	Eqv.	1590001940	S.TRA DTC144EE TL	[#26]	
IC235	1110008550	S.IC NJM2904CRB1-TE1	T	17.6/15.9	Eqv.	1590001940	S.TRA DTC144EE TL	[#33]	
IC238	1180004760	S.REG S-1200B33-M5T1U	T	30.3/89.2	Eqv.	1590001940	S.TRA DTC144EE TL	[#34]	
IC239	1180004420	S.REG NJM2830U1-08-TE1	T	10.4/18.2	Eqv.	1590001940	S.TRA DTC144EE TL	[#36]	
IC240	1180005110	S.REG NJM2836DL3-05-TE1	T	29.3/96.4	Q223	1550000090	S.FET RSQ035P03TR	T	32.2/11.4
IC241	1130007021	S.IC TC7S66FU (TE85LF)	[#13]	21.3/68.0	Q224	1590004070	S.TRA LDTC144EET1G	T	34.1/14.3
	1130007021	S.IC TC7S66FU (TE85LF)	[#14]		Eqv.	1590001940	S.TRA DTC144EE TL	[#13]	
	1130007021	S.IC TC7S66FU (TE85LF)	[#16]		Eqv.	1590001940	S.TRA DTC144EE TL	[#14]	
	1130007021	S.IC TC7S66FU (TE85LF)	[#17]		Eqv.	1590001940	S.TRA DTC144EE TL	[#16]	
	1130007021	S.IC TC7S66FU (TE85LF)	[#17]		Eqv.	1590001940	S.TRA DTC144EE TL	[#17]	
	1130007021	S.IC TC7S66FU (TE85LF)	[#26]		Eqv.	1590001940	S.TRA DTC144EE TL	[#26]	
Q2	1560002350	S.FET RD12MVS1-T214	T	13.0/83.6	Eqv.	1590001940	S.TRA DTC144EE TL	[#33]	
Q3	1560002420	S.FET RD01MUS2B-T513	T	12.3/74.7	Eqv.	1590001940	S.TRA DTC144EE TL	[#34]	
Q4	1530004100	S.TRA MT3S20P (TE12LF)	B	11.6/65.4	Eqv.	1590001940	S.TRA DTC144EE TL	[#36]	
Q7	1520000201	S.TRA 2SB798-T1-AZ DK	T	17.0/59.1	Q226	1590004070	S.TRA LDTC144EET1G	B	39.7/20.3
Q8	1590004410	S.TRA DMC501010R	T	12.9/59.8	Eqv.	1590001940	S.TRA DTC144EE TL	[#13]	
Q11	1580000731	S.FET 3SK293 (TE85LF)	B	30.0/106.2	Eqv.	1590001940	S.TRA DTC144EE TL	[#14]	
Q12	1580000731	S.FET 3SK293 (TE85LF)	B	27.8/96.9	Eqv.	1590001940	S.TRA DTC144EE TL	[#16]	
Q13	1530002381	S.TRA 2SC4215-Y (TE85LF)	B	27.4/78.3	Eqv.	1590001940	S.TRA DTC144EE TL	[#17]	
Q20	1590004300	S.TRA DRA9114T0L	B	36.2/60.1	Eqv.	1590001940	S.TRA DTC144EE TL	[#26]	
Q21	1590004100	S.TRA LDTC144TET1G	B	29.3/61.3	Eqv.	1590001940	S.TRA DTC144EE TL	[#33]	
Q25	1520000201	S.TRA 2SB798-T1-AZ DK	T	44.2/113.7	Eqv.	1590001940	S.TRA DTC144EE TL	[#34]	
Q26	1590004330	S.TRA DRC9114E0L	T	31.5/105.3	Eqv.	1590001940	S.TRA DTC144EE TL	[#36]	
Q28	1530003322	S.TRA 2SC5108-YLF	B	11.3/53.4	Q232	1560001330	S.FET RSR025N03	T	36.5/23.0
Q29	1530003322	S.TRA 2SC5108-YLF	B	12.4/48.4	Q233	1590004060	S.TRA LDTC114EET1G	T	34.9/26.1
Q33	1530002851	S.TRA 2SC4116-BL (TE85RF)	B	6.2/52.5	Q234	1520000651	S.TRA 2SB1201S-TL-E	T	33.9/4.4
Q35	1520000651	S.TRA 2SB1201S-TL-E	T	16.1/26.9	Q235	1530002280	S.TRA 2SC4081 T106 S	T	25.9/12.8
Q36	1590004410	S.TRA DMC501010R	B	20.9/26.1	Q236	1590004070	S.TRA LDTC144EET1G	B	38.1/50.8
Q50	1510001151	S.TRA L2SA1576AST1G	B	42.5/115.6	Eqv.	1590001940	S.TRA DTC144EE TL	[#13]	
Q52	1590004530	S.TRA DMG564050R	T	37.5/27.8	Eqv.	1590001940	S.TRA DTC144EE TL	[#14]	
Q53	1590004070	S.TRA LDTC144EET1G	B	25.9/71.5	Eqv.	1590001940	S.TRA DTC144EE TL	[#16]	
Eqv.	1590001940	S.TRA DTC144EE TL	[#13]		Eqv.	1590001940	S.TRA DTC144EE TL	[#17]	
Eqv.	1590001940	S.TRA DTC144EE TL	[#14]		Eqv.	1590001940	S.TRA DTC144EE TL	[#26]	
Eqv.	1590001940	S.TRA DTC144EE TL	[#16]		Eqv.	1590001940	S.TRA DTC144EE TL	[#33]	
Eqv.	1590001940	S.TRA DTC144EE TL	[#17]		Eqv.	1590001940	S.TRA DTC144EE TL	[#34]	
Eqv.	1590001940	S.TRA DTC144EE TL	[#17]		Eqv.	1590001940	S.TRA DTC144EE TL	[#36]	
Eqv.	1590001940	S.TRA DTC144EE TL	[#26]		Q238	1590004070	S.TRA LDTC144EET1G	B	29.2/15.5
Eqv.	1590001940	S.TRA DTC144EE TL	[#33]		Eqv.	1590001940	S.TRA DTC144EE TL	[#13]	
Eqv.	1590001940	S.TRA DTC144EE TL	[#33]		Eqv.	1590001940	S.TRA DTC144EE TL	[#14]	
Eqv.	1590001940	S.TRA DTC144EE TL	[#34]		Eqv.	1590001940	S.TRA DTC144EE TL	[#16]	
Eqv.	1590001940	S.TRA DTC144EE TL	[#36]		Eqv.	1590001940	S.TRA DTC144EE TL	[#17]	
Q54	1590004050	S.TRA LDTC144EET1G	T	33.8/68.6	Eqv.	1590001940	S.TRA DTC144EE TL	[#17]	
Q57	1590004520	S.TRA DMA561030R	B	13.6/45.6	Eqv.	1590001940	S.TRA DTC144EE TL	[#26]	
Q58	1530004610	S.TRA 2SC5086-OLF	T	17.7/47.5	Eqv.	1590001940	S.TRA DTC144EE TL	[#33]	
Q59	1530004610	S.TRA 2SC5086-OLF	T	10.6/46.9	Eqv.	1590001940	S.TRA DTC144EE TL	[#34]	
Q60	1530003322	S.TRA 2SC5108-YLF	T	14.3/49.3	Eqv.	1590001940	S.TRA DTC144EE TL	[#36]	
Q62	1530004190	S.TRA L2SC4617ST1G	B	43.4/71.2	Q239	1510000671	S.TRA 2SA1588-GR (TE85R F)	T	24.4/7.6
Q66	1590004070	S.TRA LDTC144EET1G	B	40.1/56.7	Q240	1590004070	S.TRA LDTC144EET1G	T	22.0/6.9
Eqv.	1590001940	S.TRA DTC144EE TL	[#13]		Eqv.	1590001940	S.TRA DTC144EE TL	[#13]	
Eqv.	1590001940	S.TRA DTC144EE TL	[#14]		Eqv.	1590001940	S.TRA DTC144EE TL	[#14]	
Eqv.	1590001940	S.TRA DTC144EE TL	[#16]		Eqv.	1590001940	S.TRA DTC144EE TL	[#16]	
Eqv.	1590001940	S.TRA DTC144EE TL	[#17]		Eqv.	1590001940	S.TRA DTC144EE TL	[#17]	
Eqv.	1590001940	S.TRA DTC144EE TL	[#26]		Eqv.	1590001940	S.TRA DTC144EE TL	[#26]	
Eqv.	1590001940	S.TRA DTC144EE TL	[#33]		Eqv.	1590001940	S.TRA DTC144EE TL	[#33]	
Eqv.	1590001940	S.TRA DTC144EE TL	[#34]		Eqv.	1590001940	S.TRA DTC144EE TL	[#34]	
Eqv.	1590001940	S.TRA DTC144EE TL	[#36]		Eqv.	1590001940	S.TRA DTC144EE TL	[#36]	
Q68	1590004070	S.TRA LDTC144EET1G	B	43.0/82.9	Q243	1590004070	S.TRA LDTC144EET1G	T	31.6/71.6
Eqv.	1590001940	S.TRA DTC144EE TL	[#13]		Eqv.	1590001940	S.TRA DTC144EE TL	[#13]	
Eqv.	1590001940	S.TRA DTC144EE TL	[#14]		Eqv.	1590001940	S.TRA DTC144EE TL	[#14]	
Eqv.	1590001940	S.TRA DTC144EE TL	[#16]		Eqv.	1590001940	S.TRA DTC144EE TL	[#16]	
Eqv.	1590001940	S.TRA DTC144EE TL	[#17]		Eqv.	1590001940	S.TRA DTC144EE TL	[#17]	
Eqv.	1590001940	S.TRA DTC144EE TL	[#17]		Eqv.	1590001940	S.TRA DTC144EE TL	[#16]	
Eqv.	1590001940	S.TRA DTC144EE TL	[#26]		Eqv.	1590001940	S.TRA DTC144EE TL	[#17]	
Eqv.	1590001940	S.TRA DTC144EE TL	[#33]		Eqv.	1590001940	S.TRA DTC144EE TL	[#26]	
Eqv.	1590001940	S.TRA DTC144EE TL	[#33]		Eqv.	1590001940	S.TRA DTC144EE TL	[#33]	
Eqv.	1590001940	S.TRA DTC144EE TL	[#34]		Eqv.	1590001940	S.TRA DTC144EE TL	[#34]	
Eqv.	1590001940	S.TRA DTC144EE TL	[#36]		Eqv.	1590001940	S.TRA DTC144EE TL	[#36]	
Q212	1550000241	S.FET TPCF8107LF	T	21.7/122.8	Q246	1590004070	S.TRA LDTC144EET1G	T	33.5/31.0
Q213	1550000241	S.FET TPCF8107LF	T	24.6/122.1	Eqv.	1590001940	S.TRA DTC144EE TL	[#13]	
Q215	1560000531	S.FET 2SK880-GR (TE85RF)	B	22.5/41.6	Eqv.	1590001940	S.TRA DTC144EE TL	[#14]	
Q216	1590004070	S.TRA LDTC144EET1G	B	24.0/50.7	Eqv.	1590001940	S.TRA DTC144EE TL	[#16]	
Eqv.	1590001940	S.TRA DTC144EE TL	[#13]		Eqv.	1590001940	S.TRA DTC144EE TL	[#17]	
Eqv.	1590001940	S.TRA DTC144EE TL	[#14]		Eqv.	1590001940	S.TRA DTC144EE TL	[#26]	
Eqv.	1590001940	S.TRA DTC144EE TL	[#16]		Eqv.	1590001940	S.TRA DTC144EE TL	[#33]	
Eqv.	1590001940	S.TRA DTC144EE TL	[#17]		Eqv.	1590001940	S.TRA DTC144EE TL	[#34]	
Eqv.	1590001940	S.TRA DTC144EE TL	[#17]		Eqv.	1590001940	S.TRA DTC144EE TL	[#36]	
Eqv.	1590001940	S.TRA DTC144EE TL	[#26]						
Eqv.	1590001940	S.TRA DTC144EE TL	[#33]						

The underlined parts have been updated from the addendum of the previous version, or from the original page.

[MAIN-1 UNIT] (for [#13], [#14], [#16], [#17], [#23], [#24], [#26], [#27], [#33], [#34], and [#36])

REF NO.	PART NO.	DESCRIPTION	M.	H/V LOCATION	REF NO.	PART NO.	DESCRIPTION	M.	H/V LOCATION
D4	1750001800	S.DIO RB886CS T2RA	T	13.2/103.8	L57	6200010540	S.COI C2012C-47NG-A	T	17.2/40.9
D5	1750001800	S.DIO RB886CS T2RA	T	13.0/98.5	L58	6200003550	S.COI MLF1608A 4R7K-T	T	13.3/41.6
D6	1750001790	S.DIO 1SS390 TE61	B	11.2/56.2	L63	6200011050	S.COI C2012C-R12G-A	T	20.4/44.8
D8	1750000581	S.DIO 1SV307 (TPH3F)	T	10.3/110.7	L64	6200011050	S.COI C2012C-R12G-A	T	8.9/42.4
D11	1750001790	S.DIO 1SS390 TE61	T	27.8/85.7	L67	6200013760	S.COI MLK1005S82NJT	T	15.9/50.2
D12	1750001790	S.DIO 1SS390 TE61	T	37.4/71.0	L69	6200009890	S.COI C2012C-82NG-A	B	21.6/102.8
D13	1720000702	S.VAR 1SV305H3F	B	19.9/103.3	L71	6200003640	S.COI MLF1608E 100K-T	T	8.4/40.2
D14	1790001622	S.DIO 1SV308L3F	B	11.8/108.5	L72	6200003640	S.COI MLF1608E 100K-T	T	21.2/40.8
D15	1720000702	S.VAR 1SV305H3F	B	31.2/102.2	L85	6200004600	S.COI MLF1608D R15K-T	B	43.8/77.3
D16	1720000702	S.VAR 1SV305H3F	B	30.3/99.5	L86	6200004590	S.COI MLF1608D R18K-T	B	41.7/76.7
D17	1750001790	S.DIO 1SS390 TE61	B	13.7/55.8	L87	6200003960	S.COI MLF1608A 1R0K-T	B	45.0/74.5
D18	1750002170	S.DIO DB2S31400L	B	29.6/64.6	L88	6200004590	S.COI MLF1608D R18K-T	B	41.8/72.8
D23	1790001980	S.DIO DA3S101F0L	T	32.2/109.1	L91	6200003550	S.COI MLF1608A 4R7K-T	T	15.4/49.9
D24	1750001790	S.DIO 1SS390 TE61	T	33.7/67.0	L92	6200011050	S.COI C2012C-R12G-A	T	9.2/38.4
D25	1750001790	S.DIO 1SS390 TE61	T	37.3/66.8	L93	6200018540	S.COI MLF1005G 2R2K-T	B	26.3/91.2
D27	1750001810	S.DIO L1SS400T1G	T	37.2/110.1	L94	6200018540	S.COI MLF1005G 2R2K-T	B	25.3/81.3
D29	1790001622	S.DIO 1SV308L3F	B	12.8/104.9	L95	6200018540	S.COI MLF1005G 2R2K-T	B	31.0/79.2
D30	1750001810	S.DIO L1SS400T1G	T	34.3/117.6	L96	6200018540	S.COI MLF1005G 2R2K-T	B	32.4/91.3
D31	1750001810	S.DIO L1SS400T1G	T	18.4/109.1	L97	6200011650	S.COI LQW18AN68NG00D	B	25.3/95.7
D36	1750001810	S.DIO L1SS400T1G	B	42.2/112.7	L99	6200014260	S.COI LQM2MPN2R2NG0L	B	27.5/77.7
D38	1750001771	S.VAR 1SV323H3F	T	19.4/41.5	L100	6200014260	S.COI LQM2MPN2R2NG0L	B	37.0/77.4
D40	1750002170	S.DIO DB2S31400L	B	27.3/69.9					
D44	1790001622	S.DIO 1SV308L3F	B	13.2/102.3	R2	7030015780	S.RES RMC1/10-331JTP (330)	T	12.3/107.0
D45	1750001771	S.VAR 1SV323H3F	T	11.5/40.1	R3	7030016090	S.RES RMC1/16S-223JTH (22 k)	T	9.5/67.1
D46	1750001771	S.VAR 1SV323H3F	T	12.2/38.0	R4	7030015910	S.RES RMC1/16S-101JTH (100 k)	T	9.9/66.2
D48	1750001771	S.VAR 1SV323H3F	T	19.4/40.2	R5	7030016020	S.RES RMC1/16S-104JTH (100 k)	T	6.8/71.8
D49	1750001800	S.DIO RB886CS T2RA	T	12.0/113.6	R7	7030016290	S.RES RMC1/16S-222JTH (2.2 k)	T	14.6/104.2
D50	1720000702	S.VAR 1SV305H3F	B	28.0/105.4	R8	7030016290	S.RES RMC1/16S-222JTH (2.2 k)	T	13.5/97.2
D51	1750001800	S.DIO RB886CS T2RA	T	12.0/112.5	R9	7030015780	S.RES RMC1/10-331JTP (330)	T	12.2/105.2
D52	1750001810	S.DIO L1SS400T1G	B	36.0/86.2	R10	7030015930	S.RES RMC1/16S-471JTH (470)	T	6.0/74.2
D55	1750001790	S.DIO 1SS390 TE61	B	28.9/80.3	R11	7030016290	S.RES RMC1/16S-222JTH (2.2 k)	T	6.8/70.9
D56	1750001790	S.DIO 1SS390 TE61	B	26.1/92.2	R12	7030016290	S.RES RMC1/16S-222JTH (2.2 k)	T	9.0/70.9
D57	1750001790	S.DIO 1SS390 TE61	B	27.1/81.3	R13	7030016090	S.RES RMC1/16S-223JTH (22 k)	T	8.0/72.2
D58	1750001790	S.DIO 1SS390 TE61	B	28.9/91.4	R14	7030015960	S.RES RMC1/16S-472JTH (4.7 k)	T	6.5/81.4
D59	1750001800	S.DIO RB886CS T2RA	B	40.3/85.4	R15	7030015910	S.RES RMC1/16S-101JTH (100)	T	9.0/81.3
D62	1750002170	S.DIO DB2S31400L	T	31.5/77.0	R16	7030015980	S.RES RMC1/16S-333JTH (33 k)	T	7.8/82.1
D66	1750000520	S.DIO DAN222TL	T	31.3/62.7	R17	7030016110	S.RES RMC1/16S-473JTH (47 k)	T	5.9/77.2
D67	1750001810	S.DIO L1SS400T1G	T	31.7/119.3	R18	7030015920	S.RES RMC1/16S-221JTH (220)	T	8.7/74.6
D68	1750001690	S.DIO RB050LA-40	T	27.9/119.4	R19	7510001461	S.THE NTCG16 3NH 471JT	T	6.9/75.7
D71	1730002830	S.ZEN DZ2J051M0L	B	40.9/26.0	R20	7030015680	S.RES RMC1/10-150JTP (15)	B	16.1/64.0
D72	1790002160	S.VAR TPD1E10B06DPYR	B	42.3/96.4	R21	7030016050	S.RES RMC1/16S-102JTH (1 k)	B	7.7/63.9
D74	1750001800	S.DIO RB886CS T2RA	T	44.8/37.5	R22	7030016050	S.RES RMC1/16S-102JTH (1 k)	B	13.7/63.0
D78	1750001810	S.DIO L1SS400T1G	T	21.0/96.5	R23	7030016150	S.RES RMC1/16S-100JTH (10)	B	7.0/65.3
D80	1750001810	S.DIO L1SS400T1G	T	26.9/11.0	R24	7030016210	S.RES RMC1/16S-121JTH (120)	B	9.6/60.5
D81	1750001810	S.DIO L1SS400T1G	T	24.2/11.0	R25	7030015900	S.RES RMC1/16S-470JTH (47)	B	11.0/59.4
D82	1750001810	S.DIO L1SS400T1G	T	14.2/19.1	R26	7030016210	S.RES RMC1/16S-121JTH (120)	B	9.6/68.0
D83	1750001810	S.DIO L1SS400T1G	T	30.7/91.6	R27	7030015920	S.RES RMC1/16S-221JTH (220)	T	16.2/72.8
D85	1790002160	S.VAR TPD1E10B06DPYR	T	28.2/122.1	R28	7030016080	S.RES RMC1/16S-822JTH (8.2 k)	T	11.8/57.9
D86	1790001622	S.DIO 1SV308L3F	B	30.3/77.2	R29	7030015950	S.RES RMC1/16S-152JTH (1.5 k)	T	10.1/58.8
D87	1750001810	S.DIO L1SS400T1G	T	24.2/9.8	R39	7030015970	S.RES RMC1/16S-103JTH (10 k)	B	11.9/57.6
D88	1750001810	S.DIO L1SS400T1G	T	26.8/9.8	R40	7030016330	S.RES RMC1/16S-153JTH (15 k)	T	10.1/57.9
D89	1750001790	S.DIO 1SS390 TE61	[#13]	36.5/68.6	R41	7030015930	S.RES RMC1/16S-471JTH (470)	B	13.9/105.3
	1750001790	S.DIO 1SS390 TE61	[#14]		R43	7030016040	S.RES RMC1/16S-224JTH (220 k)	B	19.9/100.5
	1750001790	S.DIO 1SS390 TE61	[#16]		R44	7030016000	S.RES RMC1/16S-823JTH (82 k)	B	32.7/106.7
	1750001790	S.DIO 1SS390 TE61	[#17]		R45	7030016110	S.RES RMC1/16S-473JTH (47 k)	B	31.8/106.7
D90	1750001790	S.DIO 1SS390 TE61	[#13]	30.4/85.7	R47	7030016500	S.RES RMC1/16S-562JTH (5.6 k)	B	13.9/107.3
	1750001790	S.DIO 1SS390 TE61	[#14]		R48	7030016540	S.RES RMC1/16SK334FTH (330 k)	B	36.2/106.7
	1750001790	S.DIO 1SS390 TE61	[#16]		R49	7030015900	S.RES RMC1/16S-470JTH (47)	B	33.9/107.1
	1750001790	S.DIO 1SS390 TE61	[#17]		R51	7030016370	S.RES RMC1/16S-271JTH (270)	B	30.5/103.9
D91	1750001810	S.DIO L1SS400T1G	T	33.2/70.8	R52	7030016050	S.RES RMC1/16S-102JTH (1 k)	B	33.8/102.4
D92	1750001810	S.DIO L1SS400T1G	T	33.2/73.3	R53	7030015910	S.RES RMC1/16S-101JTH (100)	B	10.0/107.4
D93	1750002170	S.DIO DB2S31400L	T	23.8/85.7	R54	7030016040	S.RES RMC1/16S-224JTH (220 k)	B	28.7/101.4
D94	1750002170	S.DIO DB2S31400L	B	27.7/90.5	R58	7030016040	S.RES RMC1/16S-224JTH (220 k)	B	29.6/98.5
					R59	7030016030	S.RES RMC1/16S-154JTH (150 k)	B	33.6/96.9
F11	2030000970	S.MON FL-455 (46.35 MHz)	B	23.4/86.8	R60	7030015990	S.RES RMC1/16S-683JTH (68 k)	B	33.6/98.0
F12	2020002720	S.CER LTWC450D	T	28.1/79.0	R62	7030016390	S.RES RMC1/16S-184JTH (180 k)	B	25.3/93.6
F13	2030000860	S.MON FL-439 (46.350 MHz)	B	30.2/85.7	R63	7030015990	S.RES RMC1/16S-683JTH (68 k)	B	23.2/93.8
F14	2020002520	S.CER LTWC450H	T	41.1/77.1	R64	7030015910	S.RES RMC1/16S-101JTH (100 k)	B	30.9/92.8
F15	2020002770	S.CER LTUCG450C	[#13]	38.7/86.0	R65	7030016180	S.RES RMC1/16S-680JTH (68)	B	26.4/94.7
	2020002770	S.CER LTUCG450C	[#14]		R66	7030016050	S.RES RMC1/16S-102JTH (1 k)	B	33.1/95.0
	2020002770	S.CER LTUCG450C	[#16]		R67	7030016560	S.RES RMC1/16S.JPTH	B	33.9/106.2
	2020002770	S.CER LTUCG450C	[#17]		R68	7030015960	S.RES RMC1/16S-472JTH (4.7 k)	B	25.4/79.2
X1	6070000300	S.DIS JTBM450CX24	T	42.1/63.4	R69	7030016050	S.RES RMC1/16S-102JTH (1 k)	B	26.0/75.2
X2	6050013940	S.XTA CR-994 (12.8 MHz)	B	32.8/38.8	R70	7030015960	S.RES RMC1/16S-472JTH (4.7 k)	B	25.2/80.1
X203	6050013930	S.XTA CR-993 (15.3 MHz)	B	42.5/65.4	R71	7030016050	S.RES RMC1/16S-102JTH (1 k)	T	40.4/67.8
					R72	7030016220	S.RES RMC1/16S-563JTH (56 k)	B	34.0/65.7
					R73	7030015970	S.RES RMC1/16S-103JTH (10 k)	B	29.9/68.1
					R74	7030016150	S.RES RMC1/16S-100JTH (10)	B	39.1/78.9
					R75	7030016040	S.RES RMC1/16S-224JTH (220 k)	B	40.6/81.2
L2	6200013110	S.COI 0.35-1.6-9TL 52.0N	T	8.6/115.9	R76	7030016020	S.RES RMC1/16S-104JTH (100 k)	B	31.2/73.1
L3	6200013110	S.COI 0.35-1.6-9TL 52.0N	T	6.2/111.0	R77	7030016050	S.RES RMC1/16S-102JTH (1 k)	B	34.0/68.1
L4	6200004480	S.COI MLF1608D R82K-T	T	9.0/105.0	R79	7030015970	S.RES RMC1/16S-103JTH (10 k)	B	30.3/71.5
L5	6200012460	S.COI 0.30-1.7-8TL 54N	T	9.8/101.2	R80	7030016020	S.RES RMC1/16S-104JTH (100 k)	B	28.2/71.8
L6	6200012850	S.COI 0.40-0.8-2TL 2.5N	T	8.1/90.2	R81	7030016290	S.RES RMC1/16S-222JTH (2.2 k)	B	27.3/68.1
L7	6200013030	S.COI 0.35-1.6-6TL 31.0N	T	15.5/88.5	R82	7030016070	S.RES RMC1/16S-474JTH (470 k)	B	30.8/70.2
L8	6200009220	S.COI LQW18AN15NG00D	T	11.0/78.0	R83	7030016090	S.RES RMC1/16S-223JTH (22 k)	B	40.6/82.1
L10	6200013820	S.COI MLK1005S27NJT	T	15.4/77.8	R87	7030015910	S.RES RMC1/16S-101JTH (100)	T	41.7/68.3
L11	6200013790	S.COI MLK1005S47NJT	T	15.5/71.0	R90	7030016040	S.RES RMC1/16S-224JTH (220 k)	B	29.9/66.9
L12	6200013780	S.COI MLK1005S56NJT	B	15.5/66.5	R94	7030016560	S.RES RMC1/16S.JPTH	B	29.9/70.2
L15	6200012460	S.COI 0.30-1.7-8TL 54N	T	8.3/107.2	R99	7030016110	S.RES RMC1/16S-473JTH (47 k)	B	28.9/66.9
L18	6200009890	S.COI C2012C-82NG-A	B	15.0/102.0	R100	7030016000	S.RES RMC1/16S-823JTH (82 k)	B	27.7/66.4
L21	6200009890	S.COI C2012C-82NG-A	B	33.8/104.6	R101	7030016100	S.RES RMC1/16S-334JTH (330 k)	B	30.2/65.6
L22	6200009930	S.COI C2012C-68NG-A	B	17.7/102.5	R102	7030016320	S.RES RMC1/16S-225JTH (2.2 M)	T	30.2/63.3
L23	6200009890	S.COI C2012C-82NG-A	B	33.3/100.5	R107	7030015780	S.RES RMC1/10-331JTP (330)	T	37.0/106.9
L24	6200011090	S.COI C2012C-R56J-A	B	31.4/95.2	R108	7030015690	S.RES RMC1/10-180JTP (18)	T	33.5/106.5
L25	6200004600	S.COI MLF1608D R15K-T	B	27.6/75.6	R109	7030015970	S.RES RMC1/16S-103JTH (10 k)	T	31.8/107.4
L38	6200014760	S.COI MLK1005SR22JT	B	13.0/54.6	R111	7030015970	S.RES RMC1/16S-103JTH (10 k)	B	9.6/57.1
L45	6200012910	S.COI 0.35-1.6-8TL 45.5N	T	11.1/119.6	R114	7030016370	S.RES RMC1/16S-271JTH (270)	B	13.6/57.1
L46									

The underlined parts have been updated from the addendum of the previous version, or from the original page.

[MAIN-1 UNIT] (for [#13], [#14], [#16], [#17], [#23], [#24], [#26], [#27], [#33], [#34], and [#36])

REF NO.	PART NO.	DESCRIPTION	M.	H/V LOCATION	REF NO.	PART NO.	DESCRIPTION	M.	H/V LOCATION
R118	7030016130	S.RES RMC1/16S-150JTH (15)	T	10.7/50.7	R407	7030016110	S.RES RMC1/16S-473JTH (47 k)	B	22.9/38.4
R119	7030016050	S.RES RMC1/16S-102JTH (1 k)	B	15.9/50.0	R417	7030016020	S.RES RMC1/16S-104JTH (100 k)	B	40.6/39.5
R120	7030016110	S.RES RMC1/16S-473JTH (47 k)	B	13.1/50.2	R419	7030016290	S.RES RMC1/16S-222JTH (2.2 k)	B	10.1/111.6
R121	7030015910	S.RES RMC1/16S-101JTH (100)	B	15.0/48.8	R426	7030015910	S.RES RMC1/16S-101JTH (100)	B	24.1/73.7
R122	7030016170	S.RES RMC1/16S-560JTH (560)	B	26.7/41.0	R427	7030016060	S.RES RMC1/16S-105JTH (1 M)	B	20.7/76.2
R123	7030011000	S.RES RR0510P-392-D (3.9 k)	T	20.9/47.3	R428	7030016300	S.RES RMC1/16S-332JTH (3.3 k)	B	23.2/70.8
R124	7030011000	S.RES RR0510P-392-D (3.9 k)	T	8.8/46.3	R431	7030016560	S.RES RMC1/16S-473JTH (47 k)	B	23.2/69.1
R130	7030016290	S.RES RMC1/16S-222JTH (2.2 k)	B	4.4/52.9	R432	7030016110	S.RES RMC1/16S-473JTH (47 k)	T	41.2/71.7
R134	7030015930	S.RES RMC1/16S-471JTH (470)	B	23.6/44.2	R433	7030016110	S.RES RMC1/16S-473JTH (47 k)	T	28.9/71.4
R135	7030016480	S.RES RMC1/16S-821JTH (820)	B	24.5/47.1	R434	7030015640	S.RES RMC1/10JPTP	T	37.2/18.6
R140	7030016020	S.RES RMC1/16S-104JTH (100 k)	B	21.6/23.4	R443	7030016380	S.RES RMC1/16S-183JTH (18 k)	T	35.3/102.9
R142	7030015640	S.RES RMC1/10JPTP	T	18.5/31.3	R444	7030005830	S.RES RR0510P-223-D (22 k)	B	26.9/42.3
R145	7030005820	S.RES RR0510P-103-D (10 k)	B	21.0/27.9	R456	7030015910	S.RES RMC1/16S-101JTH (100)	B	20.6/50.1
R147	7030005950	S.RES RR0510P-123-D (12 k)	B	19.8/28.5	R457	7410001130	S.ARR EXB28V104JX	B	30.7/48.5
R148	7030016050	S.RES RMC1/16S-102JTH (1 k)	B	19.1/26.5	R458	7030015970	S.RES RMC1/16S-103JTH (10 k)	B	22.6/43.9
R150	7030016020	S.RES RMC1/16S-104JTH (100 k)	B	21.6/23.4	R459	7030015990	S.RES RMC1/16S-683JTH (68 k)	B	32.9/46.4
R192	7030012260	S.RES ERJ2RKD 4703X (470 k)	T	35.5/16.1	R460	7030016250	S.RES RMC1/16S-220JTH (22 k)	B	34.2/69.0
Eqv.	7030016740	S.RES RMC1/16SK474DTH (470 k)	T		R461	7030016560	S.RES RMC1/16SJPTH	B	35.3/37.5
R193	7030016750	S.RES RMC1/16SK124DTH (120 k)	T	34.7/19.6	R462	7410001140	S.ARR EXB28V104JX	T	27.9/49.3
R194	7030012260	S.RES ERJ2RKD 4703X (470 k)	T	19.9/109.9	R463	7030015970	S.RES RMC1/16S-103JTH (10 k)	B	21.1/49.1
Eqv.	7030016740	S.RES RMC1/16SK474DTH (470 k)	T		R464	7030016000	S.RES RMC1/16S-823JTH (82 k)	B	22.9/36.8
R195	7030016750	S.RES RMC1/16SK124DTH (120 k)	T	17.3/109.4	R465	7030015970	S.RES RMC1/16S-103JTH (10 k)	B	42.4/68.8
R210	7030016560	S.RES RMC1/16SJPTH	B	33.3/23.2	R466	7030016560	S.RES RMC1/16SJPTH	B	43.5/62.9
R211	7030016390	S.RES RMC1/16S-184JTH (180 k)	B	28.0/58.0	R467	7030015990	S.RES RMC1/16S-683JTH (68 k)	B	40.6/50.3
R212	7030016110	S.RES RMC1/16S-473JTH (47 k)	B	27.8/56.8	R468	7030015930	S.RES RMC1/16S-471JTH (470)	T	21.0/62.9
R213	7030016340	S.RES RMC1/16S-393JTH (39 k)	B	29.6/56.6	R469	7030016020	S.RES RMC1/16S-104JTH (100 k)	T	21.8/57.4
R214	7030016450	S.RES RMC1/16S-824JTH (820 k)	B	23.5/57.0	R470	7030016560	S.RES RMC1/16SJPTH	T	28.0/58.4
R219	7030015660	S.RES RMC1/10-2R7JTP (2.7)	T	11.2/79.6	R472	7030015930	S.RES RMC1/16S-471JTH (470)	T	31.4/34.7
R220	7030015930	S.RES RMC1/16S-471JTH (470)	B	40.8/117.2	R473	7030016020	S.RES RMC1/16S-104JTH (100 k)	T	26.4/41.2
R222	7030016040	S.RES RMC1/16S-224JTH (220 k)	B	44.7/115.2	R478	7030016560	S.RES RMC1/16SJPTH	B	9.2/35.1
R223	7030015970	S.RES RMC1/16S-103JTH (10 k)	B	42.3/113.8	7030016780	S.RES RMC1/16SK224DTH (220 k)	[#13]		
R224	7030016330	S.RES RMC1/16S-153JTH (15 k)	B	44.5/113.1	7030016560	S.RES RMC1/16SJPTH	[#14]		
R225	7030015970	S.RES RMC1/16S-103JTH (10 k)	B	37.7/26.3	7030016560	S.RES RMC1/16SJPTH	[#16]		
R226	7030016090	S.RES RMC1/16S-223JTH (22 k)	T	35.6/101.7	7030016560	S.RES RMC1/16SJPTH	[#17]		
R227	7030016050	S.RES RMC1/16S-102JTH (1 k)	T	39.4/44.1	7030016780	S.RES RMC1/16SK224DTH (220 k)	[#23]		
R231	7030016560	S.RES RMC1/16SJPTH	T	37.1/32.8	7030016560	S.RES RMC1/16SJPTH	[#24]		
R252	7030016560	S.RES RMC1/16SJPTH	B	25.5/44.4	7030016560	S.RES RMC1/16SJPTH	[#26]		
R253	7030016490	S.RES RMC1/16S-391JTH (390)	B	24.6/44.4	7030016560	S.RES RMC1/16SJPTH	[#27]		
R254	7030015960	S.RES RMC1/16S-472JTH (4.7 k)	B	10.9/44.2	7030016560	S.RES RMC1/16SJPTH	[#33]		
R256	7030011920	S.RES RR0510P-561-D (560)	T	20.9/48.6	7030016780	S.RES RMC1/16SK224DTH (220 k)	[#34]		
R258	7030008340	S.RES RR0510P-182-D (1.8 k)	T	17.8/46.1	7030016560	S.RES RMC1/16SJPTH	[#36]		
R260	7030008340	S.RES RR0510P-182-D (1.8 k)	T	8.7/47.2	R479	7030005950	S.RES RR0510P-123-D (12 k)	B	8.0/34.5
R262	7030011920	S.RES RR0510P-561-D (560)	T	14.0/44.7	7030017390	S.RES RMC1/16SK184FTH (180 k)	[#13]		
R265	7030015930	S.RES RMC1/16S-471JTH (470)	T	18.3/50.3	7030016780	S.RES RMC1/16SK224DTH (220 k)	[#14]		
R266	7030015990	S.RES RMC1/16S-683JTH (68 k)	T	17.1/49.3	7030016780	S.RES RMC1/16SK224DTH (220 k)	[#16]		
R274	7030015930	S.RES RMC1/16S-471JTH (470)	B	33.0/68.4	7030017390	S.RES RMC1/16SK184FTH (180 k)	[#17]		
R283	7030016390	S.RES RMC1/16S-184JTH (180 k)	B	29.6/57.5	7030017390	S.RES RMC1/16SK184FTH (180 k)	[#23]		
R290	7030015900	S.RES RMC1/16S-470JTH (47)	T	43.7/68.3	7030016780	S.RES RMC1/16SK224DTH (220 k)	[#24]		
R293	7030016000	S.RES RMC1/16S-823JTH (82 k)	B	35.2/106.7	7030016780	S.RES RMC1/16SK224DTH (220 k)	[#26]		
R299	7030015640	S.RES RMC1/10JPTP	T	17.2/79.6	7030005950	S.RES RR0510P-123-D (12 k)	[#27]		
R302	7030015970	S.RES RMC1/16S-103JTH (10 k)	T	11.8/100.9	7030017390	S.RES RMC1/16SK184FTH (180 k)	[#33]		
R303	7030015970	S.RES RMC1/16S-103JTH (10 k)	T	13.2/101.6	7030017390	S.RES RMC1/16SK184FTH (180 k)	[#34]		
R304	7030015970	S.RES RMC1/16S-103JTH (10 k)	T	12.0/114.7	7030016780	S.RES RMC1/16SK224DTH (220 k)	[#36]		
R305	7030016290	S.RES RMC1/16S-222JTH (2.2 k)	T	13.6/113.0	Eqv.	7030012260	S.RES ERJ2RKD 4703X (470 k)	B	6.8/33.2
R311	7030016040	S.RES RMC1/16S-224JTH (220 k)	B	27.8/103.3	R480	7030016740	S.RES RMC1/16SK474DTH (470 k)	B	6.8/33.2
R313	7030015900	S.RES RMC1/16S-470JTH (47)	B	10.3/51.4	7030005850	S.RES RR0510P-563-D (56 k)	[#13]		
R316	7030016090	S.RES RMC1/16S-223JTH (22 k)	B	33.6/57.5	7030017390	S.RES RMC1/16SK184FTH (180 k)	[#16]		
R317	7030016110	S.RES RMC1/16S-473JTH (47 k)	B	31.5/56.6	7030017390	S.RES RMC1/16SK184FTH (180 k)	[#17]		
R318	7030015970	S.RES RMC1/16S-103JTH (10 k)	B	32.7/58.4	7030005850	S.RES RR0510P-563-D (56 k)	[#23]		
R319	7030016110	S.RES RMC1/16S-473JTH (47 k)	B	33.6/56.6	7030017390	S.RES RMC1/16SK184FTH (180 k)	[#24]		
R320	7030016300	S.RES RMC1/16S-332JTH (3.3 k)	T	7.6/83.8	7030017390	S.RES RMC1/16SK184FTH (180 k)	[#26]		
R321	7510001661	S.THR NTCG16 4LH 473JT	T	7.4/85.2	7030012260	S.RES ERJ2RKD 4703X (470 k)	[#27]		
R322	7030016190	S.RES RMC1/16S-273JTH (27 k)	T	6.7/83.8	Eqv.	7030016740	S.RES RMC1/16SK474DTH (470 k)	B	6.8/33.2
R323	7030016440	S.RES RMC1/16S-272JTH (2.7 k)	T	6.4/82.5	R480	7030005850	S.RES RR0510P-563-D (56 k)	B	6.8/33.2
R331	7030016050	S.RES RMC1/16S-102JTH (1 k)	T	7.1/76.7	7030017390	S.RES RMC1/16SK184FTH (180 k)	[#34]		
R333	7030016090	S.RES RMC1/16S-223JTH (22 k)	T	8.5/77.5	R481	7030016690	S.RES RMC1/16SK393FTH (39 k)	B	7.4/29.0
R334	7030015970	S.RES RMC1/16S-103JTH (10 k)	B	32.0/41.4	7030008270	S.RES RR0510P-104-D (100 k)	[#13]		
R338	7030016000	S.RES RMC1/16S-823JTH (82 k)	T	9.2/119.6	7030008270	S.RES RR0510P-104-D (100 k)	[#14]		
R349	7030015640	S.RES RMC1/10JPTP	B	39.6/88.5	7030008270	S.RES RR0510P-104-D (100 k)	[#16]		
R352	7030016270	S.RES RMC1/16S-151JTH (150)	B	32.2/80.6	7030008270	S.RES RR0510P-104-D (100 k)	[#17]		
R353	7030016560	S.RES RMC1/16SJPTH	B	31.2/90.8	7030008270	S.RES RR0510P-104-D (100 k)	[#23]		
R355	7030016240	S.RES RMC1/16S-684JTH (680 k)	B	45.1/72.3	7030008270	S.RES RR0510P-104-D (100 k)	[#24]		
R357	7030016050	S.RES RMC1/16S-102JTH (1 k)	B	45.1/78.7	7030008270	S.RES RR0510P-104-D (100 k)	[#26]		
R359	7030016050	S.RES RMC1/16S-102JTH (1 k)	B	21.5/39.7	7030016690	S.RES RMC1/16SK393FTH (39 k)	[#27]		
R361	7030016090	S.RES RMC1/16S-223JTH (22 k)	B	27.0/82.6	7030008270	S.RES RR0510P-104-D (100 k)	[#33]		
R363	7030016090	S.RES RMC1/16S-223JTH (22 k)	B	28.8/93.4	7030008270	S.RES RR0510P-104-D (100 k)	[#34]		
R366	7030015910	S.RES RMC1/16S-101JTH (100)	B	23.5/81.7	7030017390	S.RES RMC1/16SK184FTH (180 k)	[#36]		
R367	7030015910	S.RES RMC1/16S-101JTH (100)	B	22.8/91.8	7030008270	S.RES RR0510P-104-D (100 k)	[#13]		
R368	7030015970	S.RES RMC1/16S-103JTH (10 k)	B	14.7/54.7	7030008270	S.RES RR0510P-104-D (100 k)	[#14]		
R369	7030016050	S.RES RMC1/16S-102JTH (1 k)	B	25.6/76.4	7030008270	S.RES RR0510P-104-D (100 k)	[#16]		
R370	7030016050	S.RES RMC1/16S-102JTH (1 k)	B	12.2/102.0	7030008270	S.RES RR0510P-104-D (100 k)	[#17]		
R374	7030016330	S.RES RMC1/16S-153JTH (15 k)	B	39.5/77.2	7030008270	S.RES RR0510P-104-D (100 k)	[#23]		
R375	7030016360	S.RES RMC1/16S-123JTH (12 k)	T	27.1/87.2	7030008270	S.RES RR0510P-104-D (100 k)	[#24]		
R376	7030016330	S.RES RMC1/16S-153JTH (15 k)	B	37.0/66.6	7030008270	S.RES RR0510P-104-D (100 k)	[#26]		
R377	7030016360	S.RES RMC1/16S-123JTH (12 k)	T	39.4/71.7	7030017390	S.RES RMC1/16SK184FTH (180 k)	[#27]		
R378	7030016270	S.RES RMC1/16S-151JTH (150)	B	15.4/57.9	7030008270	S.RES RR0510P-104-D (100 k)	[#33]		
R379	7030016470	S.RES RMC1/16S-390JTH (39)	B	14.5/57.9	7030008270	S.RES RR0510P-104-D (100 k)	[#34]		
R380	7030016270	S.RES RMC1/16S-151JTH (150)	B	15.9/59.1	7030008270	S.RES RR0510P-104-D (100 k)	[#36]		
R381	7030016050	S.RES RMC1/16S-102JTH (1 k)	B	29.0/73.1	R483	7030005840	S.RES RR0510P-473-D (47 k)	B	5.8/24.3
R388	7030016360	S.RES RMC1/16S-123JTH							

The underlined parts have been updated from the addendum of the previous version, or from the original page.

[MAIN-1 UNIT] (for [#13], [#14], [#16], [#17], [#23], [#24], [#26], [#27], [#33], [#34], and [#36])

REF NO.	PART NO.	DESCRIPTION	M.	H/V LOCATION	REF NO.	PART NO.	DESCRIPTION	M.	H/V LOCATION
R485	7030005840	S.RES RR0510P-473-D (47 k)	B	5.8/17.7	R602	7030016560	S.RES RMC1/16SJPTH	T	22.1/98.4
	7030008270	S.RES RR0510P-104-D (100 k)				7030016560	S.RES RMC1/16SJPTH		26.9/90.2
	7030008270	S.RES RR0510P-104-D (100 k)				7030016020	S.RES RMC1/16S-104JTH (100 k)		38.9/7.7
	7030008270	S.RES RR0510P-104-D (100 k)				7520000241	S.POS PRF18BC471QBS5RB		14.8/79.1
	7030008270	S.RES RR0510P-104-D (100 k)				7030015960	S.RES RMC1/16S-472JTH (4.7 k)		18.9/78.3
	7030008270	S.RES RR0510P-104-D (100 k)				7030016050	S.RES RMC1/16S-102JTH (1 k)		20.3/6.8
	7030008270	S.RES RR0510P-104-D (100 k)				7030015970	S.RES RMC1/16S-103JTH (10 k)		18.4/39.4
	7030008270	S.RES RR0510P-104-D (100 k)				7030015970	S.RES RMC1/16S-103JTH (10 k)		18.1/10.7
	7030005840	S.RES RR0510P-473-D (47 k)				7030015910	S.RES RMC1/16S-101JTH (100)		15.9/20.4
	7030008270	S.RES RR0510P-104-D (100 k)				7030016560	S.RES RMC1/16SJPTH		21.7/118.8
	7030008270	S.RES RR0510P-104-D (100 k)				7030016290	S.RES RMC1/16S-222JTH (2.2 k)		29.4/77.2
	7030005860	S.RES RR0510P-823-D (82 k)				7030016560	S.RES RMC1/16SJPTH		9.3/61.7
	7030008270	S.RES RR0510P-104-D (100 k)				7030015910	S.RES RMC1/16S-101JTH (100)		44.8/36.2
	R486	7030008270				S.RES RR0510P-104-D (100 k)	B		4.9/16.1
7030008270		S.RES RR0510P-104-D (100 k)	7030016110	S.RES RMC1/16S-473JTH (47 k)	15.4/21.3				
7030008270		S.RES RR0510P-104-D (100 k)	7030016110	S.RES RMC1/16S-473JTH (47 k)	10.2/28.3				
7030008270		S.RES RR0510P-104-D (100 k)	7030016110	S.RES RMC1/16S-473JTH (47 k)	14.3/31.4				
7030008270		S.RES RR0510P-104-D (100 k)	7030015960	S.RES RMC1/16S-472JTH (4.7 k)	6.0/16.1				
7030008270		S.RES RR0510P-104-D (100 k)	7030016110	S.RES RMC1/16S-473JTH (47 k)	6.9/21.5				
7030008270		S.RES RR0510P-104-D (100 k)	7030016110	S.RES RMC1/16S-473JTH (47 k)	6.9/25.6				
7030005860		S.RES RR0510P-823-D (82 k)	7030016110	S.RES RMC1/16S-473JTH (47 k)	6.9/31.3				
7030008270		S.RES RR0510P-104-D (100 k)	7030015900	S.RES RMC1/16S-470JTH (47)	7.5/67.2				
7030008270		S.RES RR0510P-104-D (100 k)	7030016020	S.RES RMC1/16S-104JTH (100 k)	40.0/64.2				
7030008270		S.RES RR0510P-104-D (100 k)	7030016290	S.RES RMC1/16S-222JTH (2.2 k)	31.9/77.7				
7030008270		S.RES RR0510P-104-D (100 k)	7030016050	S.RES RMC1/16S-102JTH (1 k)	24.8/78.0				
7030008270		S.RES RR0510P-104-D (100 k)	7030016110	S.RES RMC1/16S-473JTH (47 k)	46.3/44.7				
7030008270		S.RES RR0510P-104-D (100 k)	7030015940	S.RES RMC1/16S-681JTH (680)	23.3/13.9				
R487	7030016930	S.RES RMC1/16SK274DTH (270 k)	B	10.1/35.1	R644	7030016020	S.RES RMC1/16S-104JTH (100 k)	T	39.7/45.4
R488	7030018520	S.RES RMC1/16SK564FTH (560 k)	B	11.3/34.4	R645	7030016020	S.RES RMC1/16S-104JTH (100 k)	T	39.7/47.0
R489	7030016930	S.RES RMC1/16SK274DTH (270 k)	B	12.1/33.2	R646	7030016020	S.RES RMC1/16S-104JTH (100 k)	T	38.8/47.6
R490	7030005850	S.RES RR0510P-563-D (56 k)	B	13.9/29.9	R647	7030016020	S.RES RMC1/16S-104JTH (100 k)	T	37.9/47.6
R491	7030007610	S.RES RR0510P-683-D (68 k)	B	12.4/27.6	R648	7030016020	S.RES RMC1/16S-104JTH (100 k)	T	41.8/46.6
R492	7030008270	S.RES RR0510P-104-D (100 k)	B	13.9/25.4	R649	7030016360	S.RES RMC1/16S-123JTH (12 k)	T	32.3/85.4
R493	7030016750	S.RES RMC1/16SK124DTH (120 k)	B	13.0/22.6	7030016360	S.RES RMC1/16S-123JTH (12 k)	[#13]		
R494	7030016750	S.RES RMC1/16SK124DTH (120 k)	B	13.0/21.0	7030016360	S.RES RMC1/16S-123JTH (12 k)	[#14]		
R495	7030016750	S.RES RMC1/16SK124DTH (120 k)	B	13.0/19.1	7030016360	S.RES RMC1/16S-123JTH (12 k)	[#16]		
R497	7030015980	S.RES RMC1/16S-333JTH (33 k)	B	12.1/8.8	7030016050	S.RES RMC1/16S-102JTH (1 k)	[#17]		
R498	7030016400	S.RES RMC1/16S-564JTH (560 k)	T	43.2/35.3	R650	7030016560	S.RES RMC1/16SJPTH	T	31.1/69.0
R499	7030015960	S.RES RMC1/16S-472JTH (4.7 k)	T	43.3/36.2	R651	7030016560	S.RES RMC1/16SJPTH	T	36.5/79.5
R500	7030015980	S.RES RMC1/16S-333JTH (33 k)	T	42.3/25.6	R652	7030016090	S.RES RMC1/16S-223JTH (22 k)	T	21.2/72.2
R501	7030016250	S.RES RMC1/16S-220JTH (22 k)	T	34.6/34.6	R653	7030016050	S.RES RMC1/16S-102JTH (1 k)	T	20.3/75.7
R502	7030016560	S.RES RMC1/16SJPTH	T	35.1/39.1	R654	7030015960	S.RES RMC1/16S-102JTH (4.7 k)	T	23.9/79.2
R503	7030016200	S.RES RMC1/16S-274JTH (270 k)	T	21.2/125.0	R655	7030016030	S.RES RMC1/16S-154JTH (150 k)	T	32.6/64.9
R504	7030015970	S.RES RMC1/16S-103JTH (10 k)	T	23.0/125.0	R656	7030016190	S.RES RMC1/16S-273JTH (27 k)	T	27.3/61.1
R505	7030016020	S.RES RMC1/16S-104JTH (100 k)	T	33.0/121.1	R657	7030016040	S.RES RMC1/16S-224JTH (220 k)	T	28.0/59.6
R515	7030016020	S.RES RMC1/16S-104JTH (100 k)	T	7.9/21.7	R658	7030015930	S.RES RMC1/16S-471JTH (470)	T	15.4/105.8
R519	7030012340	S.RES RR0510P-821-D	B	26.6/14.8	R660	7030016020	S.RES RMC1/16S-104JTH (100 k)	T	31.4/23.2
R520	7030016750	S.RES RMC1/16SK124DTH (120 k)	B	27.5/19.3	R662	7030016050	S.RES RMC1/16S-102JTH (1 k)	T	39.1/23.0
R521	7030016020	S.RES RMC1/16S-104JTH (100 k)	T	26.2/13.7	R670	7030016360	S.RES RMC1/16S-123JTH (12 k)	T	34.5/70.8
R524	7030016560	S.RES RMC1/16SJPTH	T	26.8/33.7	7030016360	S.RES RMC1/16S-123JTH (12 k)	[#13]		
R526	7030016050	S.RES RMC1/16S-102JTH (1 k)	B	13.5/8.4	7030016360	S.RES RMC1/16S-123JTH (12 k)	[#14]		
R527	7030015980	S.RES RMC1/16S-333JTH (33 k)	B	40.4/24.6	7030016360	S.RES RMC1/16S-123JTH (12 k)	[#16]		
R528	7030016290	S.RES RMC1/16S-222JTH (2.2 k)	B	37.7/23.9	7030016360	S.RES RMC1/16S-123JTH (12 k)	[#17]		
R529	7030015910	S.RES RMC1/16S-101JTH (100)	B	36.6/23.9	R671	7030017740	S.RES RMC1/10-271JTP (270)	T	35.2/106.7
R530	7030016420	S.RES RMC1/16S-182JTH (1.8 k)	B	19.9/24.3	R672	7030015900	S.RES RMC1/16S-470JTH (47)	T	17.5/105.9
R532	7030016560	S.RES RMC1/16SJPTH	T	21.5/24.3	R673	7030015930	S.RES RMC1/16S-471JTH (470)	T	22.4/80.0
R537	7030015970	S.RES RMC1/16S-103JTH (10 k)	T	23.2/99.3	R674	7030016460	S.RES RMC1/16S-181JTH (180)	T	28.2/110.8
R540	7030016330	S.RES RMC1/16S-153JTH (15 k)	T	48.0/42.0	R677	7030015960	S.RES RMC1/16S-472JTH (4.7 k)	T	32.5/46.6
R541	7030016100	S.RES RMC1/16S-334JTH (330 k)	T	48.0/40.1	R678	7030016020	S.RES RMC1/16S-104JTH (100 k)	T	33.1/45.7
R542	7030016050	S.RES RMC1/16S-102JTH (1 k)	T	42.1/39.0	R679	7030010990	S.RES RR0510P-272-D (2.7 k)	T	25.4/14.4
R543	7030016320	S.RES RMC1/16S-225JTH (2.2 M)	T	44.7/38.6	R680	7030016090	S.RES RMC1/16S-223JTH (22 k)	T	33.6/29.6
R544	7030016330	S.RES RMC1/16S-153JTH (15 k)	T	43.0/38.1	R682	7030016140	S.RES RMC1/16S-124JTH (120 k)	T	45.1/44.7
R545	7030016100	S.RES RMC1/16S-334JTH (330 k)	T	46.6/37.5	C3	4030023580	S.CER 0603N220J500CT	T	8.3/118.0
R546	7030016060	S.RES RMC1/16S-105JTH (1 M)	T	48.5/38.3	C4	4030023410	S.CER 0603N9R0D500CT	T	9.6/113.8
R548	7030016070	S.RES RMC1/16S-474JTH (470 k)	T	34.9/28.5	C5	4030023620	S.CER 0603N270J500CT	T	6.7/113.8
R549	7030016220	S.RES RMC1/16S-563JTH (56 k)	T	34.3/24.4	C6	4030023350	S.CER 0603N5R0B500CT	T	8.3/112.0
R550	7030016560	S.RES RMC1/16SJPTH	T	32.5/36.7	C7	4030023580	S.CER 0603N220J500CT	T	3.2/107.8
R551	7030016560	S.RES RMC1/16SJPTH	T	32.5/37.6	C8	4030023850	S.CER 0603B102K500CT	T	5.1/107.0
R552	7030016560	S.RES RMC1/16SJPTH	T	32.0/38.7	Eqv.	4030026460	S.CER MG18B102K500CT	T	12.7/108.5
R554	7030016560	S.RES RMC1/16SJPTH	T	29.1/41.6	Eqv.	4030026460	S.CER MG18B102K500CT		
R555	7030016560	S.RES RMC1/16SJPTH	T	26.7/64.0	C9	4030023850	S.CER 0603B102K500CT	T	9.0/103.8
R556	7030016560	S.RES RMC1/16SJPTH	T	25.7/64.0	Eqv.	4030026460	S.CER MG18B102K500CT	T	11.5/103.8
R558	7030016560	S.RES RMC1/16SJPTH	T	23.5/63.6	C11	4030022610	S.CER 0402NOR3B500CT		
R559	7030016560	S.RES RMC1/16SJPTH	T	21.0/61.1	C13	4030023580	S.CER 0603N220J500CT	T	7.1/102.6
R561	7030016560	S.RES RMC1/16SJPTH	T	27.7/62.1	C14	4030023580	S.CER 0603N220J500CT	T	9.0/98.7
R562	7030016560	S.RES RMC1/16SJPTH	T	28.4/60.0	C15	4030022610	S.CER 0402NOR3B500CT	T	11.2/98.5
R563	7030016380	S.RES RMC1/16S-183JTH (18 k)	B	10.8/10.8	C17	4030023200	S.CER 0402B471K500CT	T	7.2/74.0
R564	7030016020	S.RES RMC1/16S-104JTH (100 k)	B	11.1/14.0	C19	4030023590	S.CER 0603N221J500CT	T	9.0/97.5
R565	7030016020	S.RES RMC1/16S-104JTH (100 k)	B	9.6/5.0	C20	4030023090	S.CER 0402B102K500CT	T	14.5/109.4
R566	7030015980	S.RES RMC1/16S-333JTH (33 k)	B	11.7/7.6	Eqv.	4030026210	S.CER MG15B102K500CT	T	9.7/68.4
R568	7030016050	S.RES RMC1/16S-102JTH (1 k)	B	13.3/7.5	C23	4030023130	S.CER 0402B222K500CT		
R569	7030016020	S.RES RMC1/16S-104JTH (100 k)	B	35.7/48.1	C24	4030023010	S.CER 0402B104K160CT	T	14.5/91.0
R571	7030006020	S.RES RR0510P-682-D (6.8 k)	B	27.8/14.4	Eqv.	4030026220	S.CER MG15B104K160CT	T	8.5/83.8
R572	7030016500	S.RES RMC1/16S-562JTH (5.6 k)	T	15.4/12.2	C25	4030023090	S.CER 0402B102K500CT		
R573	7030019630	S.RES RL1220S-1R8-F (1.8)	T	20.3/10.6	Eqv.	4030026210	S.CER MG15B102K500CT	T	9.7/68.4
R574	7030019630	S.RES RL1220S-1R8-F (1.8)	T	22.0/10.6	C28	4030023030	S.CER 0402B103K250CT		
R575	7030019630	S.RES RL1220S-1R8-F (1.8)	T	27.5/7.6	Eqv.	4030026200	S.CER MG15B103K250CT	B	14.7/63.0
R577	7030015940	S.RES RMC1/16S-681JTH (680)	T	23.8/12.7	C29	4030023090	S.CER 0402B102K500CT		
R578	7030015970	S.RES RMC1/16S-103JTH (10 k)	T	24.6/14.7	Eqv.	4030026210	S.CER MG15B102K500CT	T	13.4/78.0
R580	7030016050	S.RES RMC1/16S-102JTH (1 k)	T	16.8/19.4	C30	4030022900	S.CER 0402N680J500CT		
R581	7030015970	S.RES RMC1/16S-103JTH (10 k)	T	21.1/18.5	C31	4030023030	S.CER 0402B103K250CT	T	17.6/75.9
R582	7030019580	S.RES RG1005P-104-B-T5 (100 k)	T	29.8/12.2	Eqv.	4030026200	S.CER MG15B103K250CT	T	8.7/76.2
R583	7030006020	S.RES RR0510P-682-D (6.8 k)	T	30.0/13.8	C32	4030023090	S.CER 0402B102K500CT		
R584	7030019580	S.RES RG1005P-104-B-T5 (100 k)							

The underlined parts have been updated from the addendum of the previous version, or from the original page.

[MAIN-1 UNIT] (for [#13], [#14], [#16], [#17], [#23], [#24], [#26], [#27], [#33], [#34], and [#36])

REF NO.	PART NO.	DESCRIPTION	M.	H/V LOCATION	REF NO.	PART NO.	DESCRIPTION	M.	H/V LOCATION
C38	4030023090	S.CER 0402B102K500CT	T	18.8/73.7	C118	4030023030	S.CER 0402B103K250CT	T	18.6/80.9
Eqv.	4030026210	S.CER MG15B102K500CT			Eqv.	4030026200	S.CER MG15B103K250CT		
C39	4030026590	S.CER <u>RF15N180J500CT</u>	B	6.0/64.3	C121	4030019560	S.CER GRM21BB31C106KE15L	T	35.3/110.2
C40	4030023090	S.CER 0402B102K500CT	B	11.0/57.6	C125	4030023030	S.CER 0402B103K250CT	T	21.9/109.5
Eqv.	4030026210	S.CER MG15B102K500CT			Eqv.	4030026200	S.CER MG15B103K250CT		
C48	4030023090	S.CER 0402B102K500CT	T	19.9/57.6	C126	4030023010	S.CER 0402B104K160CT	T	26.6/122.4
Eqv.	4030026210	S.CER MG15B102K500CT			Eqv.	4030026220	S.CER MG15B104K160CT		
C49	4550007390	S.TAN F931C225MAABMA	T	10.4/56.3	C127	4030023090	S.CER 0402B102K500CT	T	33.9/109.6
Eqv.	4550009240	S.TAN 267E1602225MR			Eqv.	4030026210	S.CER MG15B102K500CT		
C50	4030023820	S.CER 0603B104K250CT	T	19.1/55.6	C130	4510009700	S.ELE EEEFK1C101P	T	37.9/115.5
Eqv.	4030026170	S.CER MG18B104K250CT			C150	4030022680	S.CER 0402N150J500CT	B	11.0/55.0
C51	4030023090	S.CER 0402B102K500CT	T	10.1/59.7	C151	4030022600	S.CER 0402N9R0C500CT	B	11.9/51.8
Eqv.	4030026210	S.CER MG15B102K500CT			C152	4030023090	S.CER 0402B102K500CT	B	14.6/53.8
C52	4030023010	S.CER 0402B104K160CT	T	10.1/60.7	Eqv.	4030026210	S.CER MG15B102K500CT		
Eqv.	4030026220	S.CER MG15B104K160CT			C153	4030023090	S.CER 0402B102K500CT	B	14.1/49.0
C53	4030023580	S.CER 0603N220J500CT	T	3.2/106.3	Eqv.	4030026210	S.CER MG15B102K500CT		
C54	4030022740	S.CER 0402N220J500CT	T	11.7/111.2	C155	4030022810	S.CER 0402N330J500CT	T	12.5/50.7
C56	4030023090	S.CER 0402B102K500CT	T	12.9/110.7	C156	4030023090	S.CER 0402B102K500CT	B	15.9/48.9
Eqv.	4030026210	S.CER MG15B102K500CT			Eqv.	4030026210	S.CER MG15B102K500CT		
C57	4030023090	S.CER 0402B102K500CT	B	16.4/107.1	C168	4550007550	S.TAN F931V334MAABMA	T	17.6/38.3
Eqv.	4030026210	S.CER MG15B102K500CT			Eqv.	4550009170	S.TAN 267M3502334MR		
C58	4030023090	S.CER 0402B102K500CT	B	12.7/107.1	C169	4550007390	S.TAN F931C225MAABMA	B	25.0/48.6
Eqv.	4030026210	S.CER MG15B102K500CT			Eqv.	4550009240	S.TAN 267E1602225MR		
C60	4030023090	S.CER 0402B102K500CT	B	21.2/100.6	C170	4030022720	S.CER 0402N1R5B500CT	T	19.2/42.6
Eqv.	4030026210	S.CER MG15B102K500CT			C171	4030023090	S.CER 0402B102K500CT	B	12.8/59.1
C61	4030023010	S.CER 0402B104K160CT	B	24.0/92.5	Eqv.	4030026210	S.CER MG15B102K500CT		
Eqv.	4030026220	S.CER MG15B104K160CT			C172	4030023010	S.CER 0402B104K160CT	B	8.3/52.0
C62	4030026590	S.CER <u>RF15N180J500CT</u>	B	27.9/107.0	Eqv.	4030026220	S.CER MG15B104K160CT		
C63	4030023090	S.CER 0402B102K500CT	B	11.0/109.9	C173	4550008160	S.TAN F931A226MAA	B	7.7/55.0
Eqv.	4030026210	S.CER MG15B102K500CT			Eqv.	4550009110	S.TAN 267E1002226MR533		
C64	4030023090	S.CER 0402B102K500CT	B	12.1/100.3	C174	4030023010	S.CER 0402B103K250CT	B	22.2/50.1
Eqv.	4030026210	S.CER MG15B102K500CT			Eqv.	4030026220	S.CER MG15B104K160CT		
C65	4030023090	S.CER 0402B102K500CT	B	37.1/106.7	C176	4030023010	S.CER 0402B104K160CT	T	16.4/109.4
Eqv.	4030026210	S.CER MG15B102K500CT			Eqv.	4030026220	S.CER MG15B104K160CT		
C66	4030023010	S.CER 0402B104K160CT	B	36.5/105.0	C180	4030023010	S.CER 0402B104K160CT	T	34.7/18.7
Eqv.	4030026220	S.CER MG15B104K160CT			Eqv.	4030026220	S.CER MG15B104K160CT		
C67	4030023090	S.CER 0402B102K500CT	B	34.7/102.6	C186	4030023010	S.CER 0402B104K160CT	B	18.9/28.4
Eqv.	4030026210	S.CER MG15B102K500CT			Eqv.	4030026220	S.CER MG15B104K160CT		
C68	4030023090	S.CER 0402B102K500CT	B	29.6/103.9	C187	4030023010	S.CER 0402B104K160CT	B	17.0/25.9
Eqv.	4030026210	S.CER MG15B102K500CT			Eqv.	4030026220	S.CER MG15B104K160CT		
C69	4030020000	S.CER C1005 JB 1A 105K-T	B	36.5/103.1	C188	4030017480	S.CER C1608 JB 1A 474K-T	B	18.0/26.4
C71	4030026570	S.CER <u>RF15N120J500CT</u>	B	17.0/104.1	C190	4030022750	S.CER 0402N221J500CT	B	14.4/104.1
C72	4030022520	S.CER 0402N1R0B500CT	B	31.8/105.1	C191	4030023030	S.CER 0402B103K250CT	B	31.5/103.5
C73	4030022790	S.CER 0402N2R5B500CT	B	32.9/102.4	Eqv.	4030026200	S.CER MG15B103K250CT		
C74	4030022720	S.CER 0402N1R5B500CT	B	35.3/101.0	C192	4030023090	S.CER 0402B102K500CT	B	26.9/99.6
C75	4030023090	S.CER 0402B102K500CT	B	29.6/102.3	Eqv.	4030026210	S.CER MG15B102K500CT		
Eqv.	4030026210	S.CER MG15B102K500CT			C193	4030023090	S.CER 0402B102K500CT	B	26.8/98.7
C76	4030023090	S.CER 0402B102K500CT	B	39.1/108.4	Eqv.	4030026210	S.CER MG15B102K500CT		
Eqv.	4030026210	S.CER MG15B102K500CT			C196	4030023010	S.CER 0402B104K160CT	B	22.6/28.8
C77	4030026710	S.CER <u>RF15N2R0B500CT</u>	B	33.6/98.9	Eqv.	4030026220	S.CER MG15B104K160CT		
C78	4030026590	S.CER <u>RF15N180J500CT</u>	B	31.7/98.1	C197	4030023250	S.CER 0402B682K500CT	B	27.3/62.2
C79	4030023090	S.CER 0402B102K500CT	B	30.3/100.9	4030023020	S.CER 0402B473K160CT	[#13]		
Eqv.	4030026210	S.CER MG15B102K500CT			4030023020	S.CER 0402B473K160CT	[#14]		
C80	4030023090	S.CER 0402B102K500CT	B	24.4/93.7	4030023020	S.CER 0402B473K160CT	[#16]		
Eqv.	4030026210	S.CER MG15B102K500CT			4030023020	S.CER 0402B473K160CT	[#17]		
C81	4030023090	S.CER 0402B102K500CT	B	28.2/94.7	4030023020	S.CER 0402B473K160CT	[#23]		
Eqv.	4030026210	S.CER MG15B102K500CT			4030023020	S.CER 0402B473K160CT	[#24]		
C82	4030023030	S.CER 0402B103K250CT	B	32.9/92.6	4030023020	S.CER 0402B473K160CT	[#26]		
Eqv.	4030026200	S.CER MG15B103K250CT			4030023020	S.CER 0402B473K160CT	[#27]		
C83	4030023090	S.CER 0402B102K500CT	B	33.8/92.6	4030023250	S.CER 0402B682K500CT	[#33]		
Eqv.	4030026210	S.CER MG15B102K500CT			4030023020	S.CER 0402B473K160CT	[#34]		
C84	4030023090	S.CER 0402B102K500CT	B	33.8/93.8	4030023020	S.CER 0402B473K160CT	[#36]		
Eqv.	4030026210	S.CER MG15B102K500CT			C201	4030022840	S.CER 0402N390J500CT	B	38.5/68.6
C85	4030026590	S.CER <u>RF15N180J500CT</u>	B	34.1/95.1	C202	4030023010	S.CER 0402B104K160CT	B	15.0/6.8
C86	4030022580	S.CER 0402N7R0C500CT	B	20.1/85.3	Eqv.	4030026220	S.CER MG15B104K160CT		
C87	4030022560	S.CER 0402N5R0B500CT	B	13.7/99.9	C211	4030023330	S.CER 0603N4R0B500CT	T	13.2/119.4
C88	4030023030	S.CER 0402B103K250CT	B	25.7/78.0	C212	4030023720	S.CER 0603N470J500CT	T	6.7/96.3
Eqv.	4030026200	S.CER MG15B103K250CT			C223	4030024520	S.CER C1005 JB 1C 474K-T	B	33.3/21.5
C90	4030023090	S.CER 0402B102K500CT	B	29.0/76.2	C225	4030024050	S.CER 0603B473K500CT	B	6.8/12.9
Eqv.	4030026210	S.CER MG15B102K500CT			C229	4030023030	S.CER 0402B103K250CT	T	44.6/68.8
C91	4030026760	S.CER <u>RF15N8R0C500CT</u>	B	38.5/67.7	Eqv.	4030026200	S.CER MG15B103K250CT		
C92	4030023020	S.CER 0402B473K160CT	B	35.6/64.9	C232	4030026710	S.CER <u>RF15N2R0B500CT</u>	B	24.1/91.6
C93	4030023090	S.CER 0402B102K500CT	B	31.7/67.9	C235	4030020000	S.CER C1005 JB 1A 105K-T	B	8.2/108.9
Eqv.	4030026210	S.CER MG15B102K500CT			C237	4030023090	S.CER 0402B102K500CT	B	40.8/118.2
C95	4030023030	S.CER 0402B103K250CT	B	31.6/68.8	Eqv.	4030026210	S.CER MG15B102K500CT		
Eqv.	4030026200	S.CER MG15B103K250CT			C238	4550009050	S.TAN 267E1602475MR	T	38.5/120.9
C97	4550007520	S.TAN F931A106MAABMA	B	36.6/81.0	C239	4030022980	S.CER 0402B473K100CT	B	44.7/116.2
Eqv.	4550009370	S.TAN 267E1002106MR533			C240	4030023090	S.CER 0402B102K500CT	B	40.3/116.3
C98	4030022640	S.CER 0402N101J500CT	B	29.1/71.8	Eqv.	4030026210	S.CER MG15B102K500CT		
Eqv.	4030026140	S.CER MG15N101J500CT			C241	4030023090	S.CER 0402B102K500CT	B	45.3/114.2
C99	4030023030	S.CER 0402B103K250CT	B	28.6/70.6	Eqv.	4030026210	S.CER MG15B102K500CT		
Eqv.	4030026200	S.CER MG15B103K250CT			C242	4030023010	S.CER 0402B104K160CT	B	37.7/24.7
C100	4030023200	S.CER 0402B471K500CT	B	29.9/69.0	Eqv.	4030026220	S.CER MG15B104K160CT		
C101	4030019560	S.CER GRM21BB31C106KE15L	B	36.5/78.1	C243	4030023090	S.CER 0402B102K500CT	B	40.4/114.5
C102	4030023200	S.CER 0402B471K500CT	B	28.6/69.3	Eqv.	4030026210	S.CER MG15B102K500CT		
C103	4030026720	S.CER <u>RF15N3R0B500CT</u>	B	43.0/74.1	C245	4030023010	S.CER 0402B104K160CT	T	35.3/103.8
C104	4030023030	S.CER 0402B103K250CT	B	37.0/68.2	Eqv.	4030026220	S.CER MG15B104K160CT		
Eqv.	4030026200	S.CER MG15B103K250CT			C249	4030023090	S.CER 0402B102K500CT	T	27.2/52.8
C106	4030023010	S.CER 0402B104K160CT	B	40.1/70.6	Eqv.	4030026210	S.CER MG15B102K500CT		
Eqv.	4030026220	S.CER MG15B104K160CT			C274	4030023090	S.CER 0402B102K500CT	B	36.2/84.6
C107	4030020000	S.CER C1005 JB 1A 105K-T	T	42.6/67.4	Eqv.	4030026210	S.CER MG15B102K500CT		
C110	4030023090	S.CER 0402B102K500CT	B	36.5/104.1	C293	4030023090	S.CER 0402B102K50		

The underlined parts have been updated from the addendum of the previous version, or from the original page.

[MAIN-1 UNIT] (for [#13], [#14], [#16], [#17], [#23], [#24], [#26], [#27], [#33], [#34], and [#36])

REF NO.	PART NO.	DESCRIPTION	M.	H/V LOCATION	REF NO.	PART NO.	DESCRIPTION	M.	H/V LOCATION
C308	4030023090	S.CER 0402B102K500CT	B	11.8/44.2	C432	4030023090	S.CER 0402B102K500CT	B	38.1/106.7
Eqv.	4030026210	S.CER MG15B102K500CT			Eqv.	4030026210	S.CER MG15B102K500CT		
C309	4030023090	S.CER 0402B102K500CT	B	11.4/46.5	C438	4030022630	S.CER 0402N100C500CT	B	32.9/41.4
Eqv.	4030026210	S.CER MG15B102K500CT			C439	4030022640	S.CER 0402N101J500CT	B	43.7/69.2
C310	4030023670	S.CER 0603N330J500CT	T	19.5/48.0	Eqv.	4030026150	S.CER MG15N101J500CT		
C311	4030023790	S.CER 0603N820J500CT	T	9.5/45.2	C440	4030023090	S.CER 0402B102K500CT	B	33.8/41.4
C312	4030023090	S.CER 0402B102K500CT	T	16.4/46.3	Eqv.	4030026210	S.CER MG15B102K500CT		
Eqv.	4030026210	S.CER MG15B102K500CT			C441	4030020000	S.CER C1005 JB 1A 105K-T	B	34.8/38.9
C313	4030023090	S.CER 0402B102K500CT	T	12.5/48.6	C443	4030023090	S.CER 0402B102K500CT	B	23.1/39.7
Eqv.	4030026210	S.CER MG15B102K500CT			Eqv.	4030026210	S.CER MG15B102K500CT		
C315	4030023670	S.CER 0603N330J500CT	T	12.2/45.2	C444	4030023010	S.CER 0402B104K160CT	B	35.4/46.5
C316	4030024490	S.CER 0402NR75B500CT	T	16.3/48.4	Eqv.	4030026220	S.CER MG15B104K160CT		
C317	4030024490	S.CER 0402NR75B500CT	T	12.4/49.7	C445	4030021240	S.CER C1005 JB 1C 105K-T	B	34.8/44.3
C319	4030023090	S.CER 0402B102K500CT	T	19.6/49.8	C446	4030023030	S.CER 0402B103K250CT	B	45.1/79.6
Eqv.	4030026210	S.CER MG15B102K500CT			Eqv.	4030026200	S.CER MG15B103K250CT		
C321	4030023030	S.CER 0402B103K250CT	B	36.1/68.2	C451	4030023010	S.CER 0402B104K160CT	B	24.4/81.3
Eqv.	4030026200	S.CER MG15B103K250CT			Eqv.	4030026220	S.CER MG15B104K160CT		
C323	4030023030	S.CER 0402B103K250CT	B	27.3/94.7	C458	4030023010	S.CER 0402B104K160CT	B	29.9/91.1
Eqv.	4030026200	S.CER MG15B103K250CT			Eqv.	4030026220	S.CER MG15B104K160CT		
C327	4030023090	S.CER 0402B102K500CT	B	28.7/103.3	C459	4030023010	S.CER 0402B104K160CT	B	31.0/80.1
Eqv.	4030026210	S.CER MG15B102K500CT			Eqv.	4030026220	S.CER MG15B104K160CT		
C328	4030023090	S.CER 0402B102K500CT	B	26.9/101.1	C460	4030023010	S.CER 0402B104K160CT	B	40.0/75.8
Eqv.	4030026210	S.CER MG15B102K500CT			Eqv.	4030026220	S.CER MG15B104K160CT		
C329	4030026710	S.CER RF15N2R0B500CT	B	21.2/104.9	C461	4030023010	S.CER 0402B104K160CT	T	25.3/85.9
C330	4030023030	S.CER 0402B103K250CT	B	31.1/58.4	Eqv.	4030026220	S.CER MG15B104K160CT		
Eqv.	4030026200	S.CER MG15B103K250CT			C462	4030023010	S.CER 0402B104K160CT	T	38.2/72.1
C331	4030023010	S.CER 0402B104K160CT	B	12.5/10.2	Eqv.	4030026220	S.CER MG15B104K160CT		
Eqv.	4030026220	S.CER MG15B104K160CT			C463	4030023010	S.CER 0402B104K160CT	T	26.2/72.1
C333	4030023090	S.CER 0402B102K500CT	B	6.8/97.0	Eqv.	4030026220	S.CER MG15B104K160CT		
Eqv.	4030026210	S.CER MG15B102K500CT			C464	4030023010	S.CER 0402B104K160CT	T	44.5/71.7
C335	4030023670	S.CER 0603N330J500CT	T	12.9/46.4	Eqv.	4030026220	S.CER MG15B104K160CT		
C336	4030022860	S.CER 0402N470J500CT	T	10.5/42.2	C466	4030023010	S.CER 0402B104K160CT	T	28.9/72.3
C338	4030023670	S.CER 0603N330J500CT	T	18.6/44.4	Eqv.	4030026220	S.CER MG15B104K160CT		
C347	4030023010	S.CER 0402B104K160CT	B	36.5/76.7	C467	4030023010	S.CER 0402B104K160CT	T	42.1/71.7
Eqv.	4030026220	S.CER MG15B104K160CT			Eqv.	4030026220	S.CER MG15B104K160CT		
C349	4550007550	S.TAN F931V334MAABMA	B	24.9/41.1	C468	4030023010	S.CER 0402B104K160CT	T	26.2/86.8
Eqv.	4550009170	S.TAN 267M3502334MR			Eqv.	4030026220	S.CER MG15B104K160CT		
C350	4030022860	S.CER 0402N470J500CT	T	16.7/75.9	C469	4030023010	S.CER 0402B104K160CT	B	26.7/84.2
C351	4030022750	S.CER 0402N221J500CT	T	7.2/67.1	Eqv.	4030026220	S.CER MG15B104K160CT		
C352	4030023090	S.CER 0402B102K500CT	T	9.2/72.7	C470	4030023010	S.CER 0402B104K160CT	B	26.6/89.5
Eqv.	4030026210	S.CER MG15B102K500CT			Eqv.	4030026220	S.CER MG15B104K160CT		
C354	4030023090	S.CER 0402B102K500CT	B	36.2/61.6	C471	4030023010	S.CER 0402B104K160CT	B	33.7/90.8
Eqv.	4030026210	S.CER MG15B102K500CT			Eqv.	4030026220	S.CER MG15B104K160CT		
C355	4030021240	S.CER C1005 JB 1C 105K-T	B	30.8/38.8	C472	4030023010	S.CER 0402B104K160CT	B	33.1/80.6
C356	4030023010	S.CER 0402B104K160CT	B	40.1/72.5	Eqv.	4030026220	S.CER MG15B104K160CT		
Eqv.	4030026220	S.CER MG15B104K160CT			C473	4030022560	S.CER 0402N5R0B500CT	B	41.6/70.4
C357	4030022980	S.CER 0402B473K100CT	B	35.1/66.9	C474	4030022570	S.CER 0402N6R0C500CT	B	43.9/72.8
C361	4030022550	S.CER 0402N4R0B500CT	B	30.3/81.1	C475	4030022880	S.CER 0402N560J500CT	B	41.3/71.7
C364	4030026720	S.CER RF15N3R0B500CT	B	32.5/90.4	C476	4030023090	S.CER 0402B102K500CT	B	26.8/80.2
C365	4030022680	S.CER 0402N150J500CT	B	33.5/84.2	Eqv.	4030026210	S.CER MG15B102K500CT		
C372	4030023090	S.CER 0402B102K500CT	T	15.4/91.0	C477	4030023090	S.CER 0402B102K500CT	B	29.7/94.7
Eqv.	4030026210	S.CER MG15B102K500CT			Eqv.	4030026210	S.CER MG15B102K500CT		
C373	4030023090	S.CER 0402B102K500CT	T	11.1/66.7	C478	4030023030	S.CER 0402B103K250CT	B	22.0/64.9
Eqv.	4030026210	S.CER MG15B102K500CT			Eqv.	4030026200	S.CER MG15B103K250CT		
C375	4030022610	S.CER 0402NOR3B500CT	T	9.7/112.8	C479	4030023030	S.CER 0402B103K250CT	B	24.9/62.8
C376	4030023090	S.CER 0402B102K500CT	B	32.9/50.0	Eqv.	4030026200	S.CER MG15B103K250CT		
Eqv.	4030026210	S.CER MG15B102K500CT			C481	4030019560	S.CER GRM21BB31C106KE15L	B	9.6/109.5
C377	4030022620	S.CER 0402NOR5B500CT	T	10.2/49.3	C484	4030023030	S.CER 0402B103K250CT	B	8.7/52.9
C379	4030023330	S.CER 0603N4R0B500CT	T	16.8/43.8	Eqv.	4030026200	S.CER MG15B103K250CT		
C381	4030023090	S.CER 0402B102K500CT	B	36.2/62.8	C485	4030023090	S.CER 0402B102K500CT	T	25.7/66.2
Eqv.	4030026210	S.CER MG15B102K500CT			Eqv.	4030026210	S.CER MG15B102K500CT		
C383	4030023330	S.CER 0603N4R0B500CT	T	11.4/43.6	C486	4030023090	S.CER 0402B102K500CT	T	26.7/66.2
C384	4030021520	S.CER GRM31CB31H106KA12L	T	25.0/109.6	Eqv.	4030026210	S.CER MG15B102K500CT		
C385	4030021240	S.CER C1005 JB 1C 105K-T	T	21.6/106.1	C487	4030023090	S.CER 0402B102K500CT	T	27.7/66.2
C386	4030026740	S.CER RF15N5R0B500CT	T	11.7/41.2	Eqv.	4030026210	S.CER MG15B102K500CT		
C387	4030023090	S.CER 0402B102K500CT	B	28.4/41.5	C488	4030019560	S.CER GRM21BB31C106KE15L	B	9.5/106.0
Eqv.	4030026210	S.CER MG15B102K500CT			C489	4030020000	S.CER C1005 JB 1A 105K-T	B	24.2/72.3
C388	4030023090	S.CER 0402B102K500CT	T	20.3/90.4	C490	4030023010	S.CER 0402B104K160CT	B	35.7/38.9
Eqv.	4030026210	S.CER MG15B102K500CT			Eqv.	4030026220	S.CER MG15B104K160CT		
C389	4030026740	S.CER RF15N5R0B500CT	T	12.1/39.0	C491	4030023090	S.CER 0402B102K500CT	B	31.5/57.5
C390	4030023090	S.CER 0402B102K500CT	B	32.8/76.8	Eqv.	4030026210	S.CER MG15B102K500CT		
Eqv.	4030026210	S.CER MG15B102K500CT			C492	4030020450	S.CER C1005 JB 0J 475M-T	T	28.9/70.5
C391	4030022900	S.CER 0402N680J500CT	B	26.5/76.4	C493	4030020450	S.CER C1005 JB 0J 475M-T	T	40.3/71.7
C392	4030023090	S.CER 0402B102K500CT	B	23.6/75.2	C495	4030021520	S.CER GRM31CB31H106KA12L	T	19.6/82.7
Eqv.	4030026210	S.CER MG15B102K500CT			C496	4030021520	S.CER GRM31CB31H106KA12L	T	21.3/107.7
C393	4030020000	S.CER C1005 JB 1A 105K-T	B	24.7/76.4	C508	4030023090	S.CER 0402B102K500CT	T	14.4/41.4
C394	4030023030	S.CER 0402B103K250CT	B	23.8/76.4	Eqv.	4030026210	S.CER MG15B102K500CT		
Eqv.	4030026200	S.CER MG15B103K250CT			C509	4030023090	S.CER 0402B102K500CT	T	13.9/38.5
C395	4030023090	S.CER 0402B102K500CT	B	15.9/54.2	Eqv.	4030026210	S.CER MG15B102K500CT		
Eqv.	4030026210	S.CER MG15B102K500CT			C510	4030023090	S.CER 0402B102K500CT	B	26.6/45.7
C396	4030026570	S.CER RF15N120J500CT	B	15.1/56.7	Eqv.	4030026210	S.CER MG15B102K500CT		
C397	4030022680	S.CER 0402N150J500CT	B	16.2/60.5	C511	4030022640	S.CER 0402N101J500CT	B	29.4/40.4
C398	4030022860	S.CER 0402N470J500CT	B	42.1/74.1	Eqv.	4030026140	S.CER MG15N101J500CT		
C399	4030022650	S.CER 0402N110J500CT	B	42.8/75.6	C512	4030024500	S.CER C1005 JB 1C 224K-T	B	30.3/40.4
C400	4030022640	S.CER 0402N101J500CT	B	41.2/74.1	C513	4030019560	S.CER GRM21BB31C106KE15L	B	27.6/38.7
Eqv.	4030026140	S.CER MG15N101J500CT			C514	4030023010	S.CER 0402B104K160CT	B	33.9/44.3
C401	4030022550	S.CER 0402N4R0B500CT	B	41.2/75.5	Eqv.	4030026220	S.CER MG15B104K160CT		
C402	4030022880	S.CER 0402N560J500CT	B	40.3/74.1	C515	4030023010	S.CER 0402B104K160CT	B	32.4/48.1
C403	4030023090	S.CER 0402B102K500CT	B	33.0/43.9	Eqv.	4030026220	S.CER MG15B104K160CT		
Eqv.	4030026210	S.CER MG15B102K500CT			C516	4030019560	S.CER GRM21BB31C106KE15L	B	28.4/49.8
C405	4030023090	S.CER 0402B102K500CT	B	19.4/99.2	C517				

The underlined parts have been updated from the addendum of the previous version, or from the original page.

[MAIN-1 UNIT] (for [#13], [#14], [#16], [#17], [#23], [#24], [#26], [#27], [#33], [#34], and [#36])

REF NO.	PART NO.	DESCRIPTION	M.	H/V LOCATION	REF NO.	PART NO.	DESCRIPTION	M.	H/V LOCATION
C522	4030023090	S.CER 0402B102K500CT	T	19.5/50.7	C556	4030022880	S.CER 0402N560J500CT	B	7.6/18.5
Eqv.	4030026210	S.CER MG15B102K500CT				4030022630	S.CER 0402N100C500CT	[#14]	
C523	4030023090	S.CER 0402B102K500CT	B	21.9/38.5		4030022630	S.CER 0402N100C500CT	[#23]	
Eqv.	4030026210	S.CER MG15B102K500CT				4030022630	S.CER 0402N100C500CT	[#24]	
C524	4030023090	S.CER 0402B102K500CT	B	21.5/37.3		4030022880	S.CER 0402N560J500CT	[#33]	
Eqv.	4030026210	S.CER MG15B102K500CT				4030022630	S.CER 0402N100C500CT	[#34]	
C525	4030023090	S.CER 0402B102K500CT	B	44.1/67.8	C557	4030022930	S.CER 0402N821J500CT	B	11.4/35.3
Eqv.	4030026210	S.CER MG15B102K500CT			C558	4030022930	S.CER 0402N821J500CT	B	13.0/31.7
C526	4030022630	S.CER 0402N100C500CT	B	42.4/67.8	C559	4030022690	S.CER 0402N151J500CT	B	10.5/33.2
C527	4030021240	S.CER C1005 JB 1C 105K-T	B	40.5/65.4	C560	4030020170	S.CER C1608 CH 1H 472J-T	B	13.7/27.4
C528	4030023010	S.CER 0402B104K160CT	B	39.6/65.4	C561	4030022870	S.CER 0402N471J500CT	B	11.2/28.3
Eqv.	4030026220	S.CER MG15B104K160CT			C562	4030020940	S.CER C1608 CH 1H 392JT	B	14.1/22.1
C529	4030023010	S.CER 0402B104K160CT	B	44.5/64.6	C563	4030022640	S.CER 0402N101J500CT	B	12.1/23.2
Eqv.	4030026220	S.CER MG15B104K160CT			Eqv.	4030026140	S.CER MG15N101J500CT		
C530	4030021240	S.CER C1005 JB 1C 105K-T	B	41.9/63.1	C564	4030020160	S.CER C1608 CH 1H 103J-T	B	14.1/19.1
C531	4030023010	S.CER 0402B104K160CT	T	21.0/62.0	C565	4030022680	S.CER 0402N150J500CT	B	9.3/18.3
Eqv.	4030026220	S.CER MG15B104K160CT			C566	4030021240	S.CER C1005 JB 1C 105K-T	T	41.5/35.4
C532	4030019560	S.CER GRM21BB31C106KE15L	T	26.5/54.9	C567	4030021240	S.CER C1005 JB 1C 105K-T	T	41.9/36.8
C533	4030023010	S.CER 0402B104K160CT	T	24.8/54.9	C568	4030021240	S.CER C1005 JB 1C 105K-T	T	40.9/25.9
Eqv.	4030026220	S.CER MG15B104K160CT			C569	4030023010	S.CER 0402B104K160CT	T	42.6/26.5
C534	4030023090	S.CER 0402B102K500CT	T	32.5/33.3	Eqv.	4030026220	S.CER MG15B104K160CT		
Eqv.	4030026210	S.CER MG15B102K500CT			C570	4030023010	S.CER 0402B104K160CT	T	39.6/26.3
C535	4030023010	S.CER 0402B104K160CT	T	24.8/36.0	Eqv.	4030026220	S.CER MG15B104K160CT		
Eqv.	4030026220	S.CER MG15B104K160CT			C571	4030019560	S.CER GRM21BB31C106KE15L	T	35.0/37.1
C536	4030019560	S.CER GRM21BB31C106KE15L	T	24.7/34.0	C572	4030019560	S.CER GRM21BB31C106KE15L	T	37.6/34.9
C537	4030023010	S.CER 0402B104K160CT	T	30.5/33.8	C573	4030023090	S.CER 0402B102K500CT	T	9.1/21.3
Eqv.	4030026220	S.CER MG15B104K160CT			Eqv.	4030026210	S.CER MG15B102K500CT		
C538	4520000020	S.NIO NOJC227M006RWJV	T	30.3/24.2	C574	4030022900	S.CER 0402N680J500CT	B	27.5/10.2
C539	4030023090	S.CER 0402B102K500CT	B	41.3/96.4	C577	4030021520	S.CER GRM31CB31H106KA12L	B	21.7/9.3
Eqv.	4030026210	S.CER MG15B102K500CT			C579	4030021520	S.CER GRM31CB31H106KA12L	B	23.8/9.3
C541	4030021240	S.CER C1005 JB 1C 105K-T	B	34.8/27.6	C580	4030021520	S.CER GRM31CB31H106KA12L	B	34.9/6.7
C542	4030023010	S.CER 0402B104K160CT	B	34.5/23.2	C585	4030023010	S.CER 0402B104K160CT	B	25.4/9.5
Eqv.	4030026220	S.CER MG15B104K160CT			Eqv.	4030026220	S.CER MG15B104K160CT		
C543	4030023090	S.CER 0402B102K500CT	T	15.9/9.5	C586	4030023030	S.CER 0402B103K250CT	B	26.3/9.5
Eqv.	4030026210	S.CER MG15B102K500CT			Eqv.	4030026200	S.CER MG15B103K250CT		
C544	4030023090	S.CER 0402B102K500CT	T	13.0/6.6	C587	4030022870	S.CER 0402N471J500CT	B	40.4/23.7
Eqv.	4030026210	S.CER MG15B102K500CT			C588	4030022860	S.CER 0402N470J500CT	B	41.6/21.9
C548	4030022930	S.CER 0402N821J500CT	[#14]	8.0/35.4	C589	4030021240	S.CER C1005 JB 1C 105K-T	B	39.1/22.5
	4030022930	S.CER 0402N821J500CT	[#23]		C590	4030023090	S.CER 0402B102K500CT	B	35.2/87.5
	4030022930	S.CER 0402N821J500CT	[#24]		Eqv.	4030026210	S.CER MG15B102K500CT		
	4030022930	S.CER 0402N821J500CT	[#34]		C591	4030022640	S.CER 0402N101J500CT	B	36.9/88.1
C549	4030020170	S.CER C1608 CH 1H 472J-T	[#13]	5.6/31.1	Eqv.	4030026140	S.CER MG15N101J500CT		
	4030020170	S.CER C1608 CH 1H 472J-T	[#14]		C592	4030022640	S.CER 0402N101J500CT	B	40.1/96.7
	4030017810	S.CER C1608 CH 1H 102J-T	[#16]		Eqv.	4030026140	S.CER MG15N101J500CT		
	4030017810	S.CER C1608 CH 1H 102J-T	[#17]		C593	4030023090	S.CER 0402B102K500CT	B	41.5/94.8
	4030020170	S.CER C1608 CH 1H 472J-T	[#23]		Eqv.	4030026210	S.CER MG15B102K500CT		
	4030020170	S.CER C1608 CH 1H 472J-T	[#24]		C596	4030023090	S.CER 0402B102K500CT	T	11.7/10.7
	4030017810	S.CER C1608 CH 1H 102J-T	[#26]		Eqv.	4030026210	S.CER MG15B102K500CT		
	4030017810	S.CER C1608 CH 1H 102J-T	[#27]		C597	4030023010	S.CER 0402B104K160CT	B	26.6/26.3
	4030020170	S.CER C1608 CH 1H 472J-T	[#33]		Eqv.	4030026220	S.CER MG15B104K160CT		
	4030020170	S.CER C1608 CH 1H 472J-T	[#34]		C598	4030021240	S.CER C1005 JB 1C 105K-T	B	25.7/26.3
	4030017810	S.CER C1608 CH 1H 102J-T	[#36]		C599	4030023090	S.CER 0402B102K500CT	T	23.4/118.8
C550	4030022850	S.CER 0402N391J500CT	[#13]	8.7/33.2	Eqv.	4030026210	S.CER MG15B102K500CT		
	4030022710	S.CER 0402N181J500CT	[#14]		C602	4030023090	S.CER 0402B102K500CT	T	21.2/120.6
	4030022910	S.CER 0402N681J500CT	[#16]		Eqv.	4030026210	S.CER MG15B102K500CT		
	4030022910	S.CER 0402N681J500CT	[#17]		C605	4030022640	S.CER 0402N101J500CT	T	28.2/123.0
	4030022710	S.CER 0402N181J500CT	[#23]		Eqv.	4030026140	S.CER MG15N101J500CT		
	4030022710	S.CER 0402N181J500CT	[#24]		C608	4030019560	S.CER GRM21BB31C106KE15L	B	21.2/29.9
	4030022910	S.CER 0402N681J500CT	[#26]		C610	4030023090	S.CER 0402B102K500CT	T	23.0/97.1
	4030022910	S.CER 0402N681J500CT	[#27]		Eqv.	4030026210	S.CER MG15B102K500CT		
	4030022850	S.CER 0402N391J500CT	[#33]		C612	4030019560	S.CER GRM21BB31C106KE15L	T	27.8/91.6
	4030022710	S.CER 0402N181J500CT	[#34]		C613	4030023090	S.CER 0402B102K500CT	T	22.1/100.3
	4030022910	S.CER 0402N681J500CT	[#36]		Eqv.	4030026210	S.CER MG15B102K500CT		
C551	4030018620	S.CER C1608 CH 1H 222J-T	B	6.0/28.1	C614	4030023010	S.CER 0402B104K160CT	T	25.7/92.4
C552	4030022850	S.CER 0402N391J500CT	[#13]	9.0/28.0	Eqv.	4030026220	S.CER MG15B104K160CT		
	4030022690	S.CER 0402N151J500CT	[#14]		C615	4030023010	S.CER 0402B104K160CT	T	23.9/97.1
	4030022820	S.CER 0402N331J500CT	[#16]		Eqv.	4030026220	S.CER MG15B104K160CT		
	4030022820	S.CER 0402N331J500CT	[#17]		C616	4030023090	S.CER 0402B102K500CT	T	24.8/92.4
	4030022690	S.CER 0402N151J500CT	[#23]		Eqv.	4030026210	S.CER MG15B102K500CT		
	4030022690	S.CER 0402N151J500CT	[#24]		C622	4030023060	S.CER 0402B183K250CT	T	46.7/42.3
	4030022820	S.CER 0402N331J500CT	[#26]		C623	4030023060	S.CER 0402B183K250CT	T	46.7/40.7
	4030022820	S.CER 0402N331J500CT	[#27]		C624	4030023010	S.CER 0402B104K160CT	T	46.6/38.4
	4030022850	S.CER 0402N391J500CT	[#33]		Eqv.	4030026220	S.CER MG15B104K160CT		
	4030022690	S.CER 0402N151J500CT	[#34]		C627	4030022970	S.CER 0402B393K100CT	[#13]	10.8/9.2
	4030022820	S.CER 0402N331J500CT	[#36]		Eqv.	4030023010	S.CER 0402B104K160CT	[#14]	
C553	4030019570	S.CER C1608 CH 1H 332J-T	B	5.6/19.4	Eqv.	4030026220	S.CER MG15B104K160CT	[#14]	
C554	4030022750	S.CER 0402N221J500CT	[#13]	8.0/23.4	C627	4030023010	S.CER 0402B104K160CT	[#16]	10.8/9.2
	4030022880	S.CER 0402N560J500CT	[#14]		Eqv.	4030026220	S.CER MG15B104K160CT	[#16]	
	4030022670	S.CER 0402N121J500CT	[#16]		C627	4030023010	S.CER 0402B104K160CT	[#17]	10.8/9.2
	4030022670	S.CER 0402N121J500CT	[#17]		Eqv.	4030026220	S.CER MG15B104K160CT	[#17]	
	4030022880	S.CER 0402N560J500CT	[#23]		C627	4030023010	S.CER 0402B104K160CT	[#23]	10.8/9.2
	4030022880	S.CER 0402N560J500CT	[#24]		Eqv.	4030026220	S.CER MG15B104K160CT	[#23]	
	4030022670	S.CER 0402N121J500CT	[#26]		C627	4030023010	S.CER 0402B104K160CT	[#24]	10.8/9.2
	4030022670	S.CER 0402N121J500CT	[#27]		Eqv.	4030026220	S.CER MG15B104K160CT	[#24]	
	4030022750	S.CER 0402N221J500CT	[#33]		C627	4030023010	S.CER 0402B104K160CT	[#26]	10.8/9.2
	4030022880	S.CER 0402N560J500CT	[#34]		Eqv.	4030026220	S.CER MG15B104K160CT	[#26]	
	4030022670	S.CER 0402N121J500CT	[#36]		C627	4030023010	S.CER 0402B104K160CT	[#27]	10.8/9.2
C555	4030020160	S.CER C1608 CH 1H 103J-T	[#13]	5.5/14.7	Eqv.	4030026220	S.CER MG15B104K160CT	[#27]	
	4030020160	S.CER C1608 CH 1H 103J-T	[#14]		C627	4030022970	S.CER 0402B393K100CT	[#33]	10.8/9.2
	4030022350	S.CER C1608 CH 1H 822JT	[#16]		Eqv.	4030023010	S.CER 0402B104K160CT	[#34]	
	4030022350	S.CER C1608 CH 1H 822JT	[#17]		Eqv.	4030026220	S.CER MG15B104K160CT	[#34]	
	4030020160	S.CER C1608 CH 1H 103J-T	[#23]		C627	4030023010	S.CER 0402B104K160CT	[#36]	10.8/9.2

The underlined parts have been updated from the addendum of the previous version, or from the original page.

[MAIN-1 UNIT] (for [#13], [#14], [#16], [#17], [#23], [#24], [#26], [#27], [#33], [#34], and [#36])

REF NO.	PART NO.	DESCRIPTION	M.	H/V LOCATION	REF NO.	PART NO.	DESCRIPTION	M.	H/V LOCATION						
C631	4030026760	S.CER RF15N8R0C500CT	B	10.2/18.3		C680	4030023010	S.CER	0402B104K160CT	[#13]	T	32.7/86.6			
	4030026760	S.CER RF15N8R0C500CT				[#14]	C680	4030026220	S.CER	MG15B104K160CT	[#13]				
	4030022560	S.CER 0402N5R0B500CT				[#16]	C680	4030023010	S.CER	0402B104K160CT	[#14]	T	32.7/86.6		
	4030022560	S.CER 0402N5R0B500CT				[#17]									
	4030026760	S.CER RF15N8R0C500CT				[#23]	C680	4030023010	S.CER	0402B104K160CT	[#16]	T	32.7/86.6		
	4030026760	S.CER RF15N8R0C500CT				[#24]									
	4030022560	S.CER 0402N5R0B500CT				[#26]	C680	4030023010	S.CER	0402B104K160CT	[#17]	T	32.7/86.6		
	4030022560	S.CER 0402N5R0B500CT				[#27]									
	4030026760	S.CER RF15N8R0C500CT				[#33]	C681	4030023010	S.CER	0402B104K160CT	[#13]	T	35.2/81.9		
	4030026760	S.CER RF15N8R0C500CT				[#34]									
	4030022560	S.CER 0402N5R0B500CT				[#36]	C681	4030023010	S.CER	0402B104K160CT	[#14]	T	35.2/81.9		
	4030026720	S.CER RF15N3R0B500CT				[#13]	B	7.6/17.6	C681	4030026220	S.CER	MG15B104K160CT	[#14]		
	4030022720	S.CER 0402N1R5B500CT				[#14]			C681	4030023010	S.CER	0402B104K160CT	[#16]	T	35.2/81.9
	4030022810	S.CER 0402N330J500CT				[#16]									
	4030022810	S.CER 0402N330J500CT				[#17]			C681	4030026220	S.CER	MG15B104K160CT	[#16]	T	35.2/81.9
	4030022720	S.CER 0402N1R5B500CT				[#23]									
	4030022720	S.CER 0402N1R5B500CT				[#24]			C681	4030023010	S.CER	0402B104K160CT	[#17]	T	35.2/81.9
4030022810	S.CER 0402N330J500CT	[#26]													
4030022810	S.CER 0402N330J500CT	[#27]	C682	4030023010	S.CER	0402B104K160CT			[#17]	T	30.1/71.4				
4030026720	S.CER RF15N3R0B500CT	[#33]													
4030022720	S.CER 0402N1R5B500CT	[#34]	C682	4030026220	S.CER	MG15B104K160CT									
4030022810	S.CER 0402N330J500CT	[#36]													
C633	4030023010	S.CER 0402B104K160CT	B	11.1/18.7		C694			4030023090	S.CER	0402B102K500CT		T	36.7/58.4	
	4030026220	S.CER MG15B104K160CT				C694			4030026210	S.CER	MG15B102K500CT				
C634	4030023010	S.CER 0402B104K160CT	B	13.0/24.2		C704			4030023090	S.CER	0402B102K500CT		T	40.1/58.6	
C634	4030026220	S.CER MG15B104K160CT							4030026210	S.CER	MG15B102K500CT				
C635	4030023010	S.CER 0402B104K160CT	B	12.1/28.8		C706			4030023090	S.CER	0402B102K500CT		T	38.3/58.6	
Eqv.	4030026220	S.CER MG15B104K160CT							4030026210	S.CER	MG15B102K500CT				
C636	4030023010	S.CER 0402B104K160CT	B	13.1/15.0		C712	4030023820	S.CER	0603B104K250CT		T	7.1/19.1			
Eqv.	4030026220	S.CER MG15B104K160CT					4030026170	S.CER	MG18B104K250CT						
C637	4030023010	S.CER 0402B104K160CT	B	12.2/13.7		C713	4550008850	S.TAN	F931C227MNC		T	25.8/29.5			
Eqv.	4030026220	S.CER MG15B104K160CT					4550009420	S.TAN	T491D227M016AT						
C638	4030023010	S.CER 0402B104K160CT	B	25.5/57.0		C715	4030023010	S.CER	0402B104K160CT		T	47.2/43.6			
Eqv.	4030026220	S.CER MG15B104K160CT					4030026220	S.CER	MG15B104K160CT						
C639	4030023090	S.CER 0402B102K500CT	B	40.6/108.4		J1	6450000870	CON	HEC2711-01-020						
Eqv.	4030026210	S.CER MG15B102K500CT				J2	6450000131	CON	HSJ1102-018540						
C640	4030023090	S.CER 0402B102K500CT	B	45.6/104.3		J4	6510021901	S.CON	BM02B-ASRS-TF (LF) (SN)		T	13.0/4.0			
Eqv.	4030026210	S.CER MG15B102K500CT				J5	6450001060	CON	HSJ1493-01-010						
C641	4030023010	S.CER 0402B104K160CT	T	43.6/46.2		J6	6510031230	S.CON	50P4.5-JMCS-G-TF (N) (1)		T	35.7/54.3			
Eqv.	4030026220	S.CER MG15B104K160CT													
C642	4030023010	S.CER 0402B104K160CT	T	47.9/39.2		MC1	7700003060	MIC	F6027AP-SBC-462						
Eqv.	4030026220	S.CER MG15B104K160CT													
C643	4030023010	S.CER 0402B104K160CT	T	41.7/43.5		S1	2260003640	SWI	SKHLLCA010						
Eqv.	4030026220	S.CER MG15B104K160CT													
C644	4030023200	S.CER 0402B471K500CT	T	48.0/41.1		EP3	6910014640	S.BEA	MPZ2012S221A-T		T	39.3/14.4			
C645	4030023010	S.CER 0402B104K160CT	T	42.1/50.2		EP4	6910014640	S.BEA	MPZ2012S221A-T		T	19.5/121.0			
Eqv.	4030026220	S.CER MG15B104K160CT				EP5	6910014730	S.BEA	MPZ2012S331A-T		T	37.0/102.8			
C646	4030019560	S.CER GRM21BB31C106KE15L	T	32.8/91.3		EP6	6910014730	S.BEA	MPZ2012S331A-T		B	40.2/110.9			
C647	4030023010	S.CER 0402B104K160CT	T	28.1/89.8		EP7	6910014730	S.BEA	MPZ2012S331A-T		B	41.8/106.3			
Eqv.	4030026220	S.CER MG15B104K160CT				EP10	6910014730	S.BEA	MPZ2012S331A-T		T	13.9/8.6			
C648	4030023090	S.CER 0402B102K500CT	B	12.2/60.3		EP11	6910014730	S.BEA	MPZ2012S331A-T		B	39.7/103.7			
Eqv.	4030026210	S.CER MG15B102K500CT				EP13	6910020610	S.BEA	BLM15BD102SN1D		T	15.7/47.5			
C649	4030023090	S.CER 0402B102K500CT	B	10.2/61.7		EP14	6910020610	S.BEA	BLM15BD102SN1D		T	12.5/47.6			
Eqv.	4030026210	S.CER MG15B102K500CT				EP15	6910014640	S.BEA	MPZ2012S221A-T		T	39.7/18.7			
C650	4030023010	S.CER 0402B104K160CT	T	19.8/15.8		EP16	6910014640	S.BEA	MPZ2012S221A-T		T	18.5/89.0			
Eqv.	4030026220	S.CER MG15B104K160CT				EP18	6910020610	S.BEA	BLM15BD102SN1D		T	27.7/56.8			
C651	4030023010	S.CER 0402B104K160CT	T	13.8/21.2		EP19	6910020610	S.BEA	BLM15BD102SN1D		T	23.5/54.5			
Eqv.	4030026220	S.CER MG15B104K160CT				EP20	6910020610	S.BEA	BLM15BD102SN1D		T	26.6/42.9			
C652	4030023010	S.CER 0402B104K160CT	T	11.7/15.2		EP21	6910020610	S.BEA	BLM15BD102SN1D		T	32.6/34.2			
Eqv.	4030026220	S.CER MG15B104K160CT				EP23	6910014730	S.BEA	MPZ2012S331A-T		T	12.2/8.6			
C653	4030021240	S.CER C1005 JB 1C 105K-T	T	22.0/97.1		EP24	6910014730	S.BEA	MPZ2012S331A-T		B	42.4/92.3			
C656	4030023090	S.CER 0402B102K500CT	T	15.6/7.8		EP25	6910020610	S.BEA	BLM15BD102SN1D		B	36.5/87.2			
Eqv.	4030026210	S.CER MG15B102K500CT				EP26	6910020610	S.BEA	BLM15BD102SN1D		B	40.1/95.7			
C660	4030023090	S.CER 0402B102K500CT	B	6.6/67.2		EP28	6910020610	S.BEA	BLM15BD102SN1D		T	26.9/110.8			
Eqv.	4030026210	S.CER MG15B102K500CT				EP29	6910014640	S.BEA	MPZ2012S221A-T		T	30.3/110.0			
C661	4030023010	S.CER 0402B104K160CT	T	40.6/46.4		EP30	6910014640	S.BEA	MPZ2012S221A-T		B	34.9/10.9			
Eqv.	4030026220	S.CER MG15B104K160CT				EP31	6910020610	S.BEA	BLM15BD102SN1D		T	19.5/111.2			
C662	4030023010	S.CER 0402B104K160CT	T	41.2/44.9											
Eqv.	4030026220	S.CER MG15B104K160CT													
C663	4030023010	S.CER 0402B104K160CT	T	33.2/85.4											
Eqv.	4030026220	S.CER MG15B104K160CT													
C664	4030023010	S.CER 0402B104K160CT	B	36.5/41.7											
Eqv.	4030026220	S.CER MG15B104K160CT													
C665	4030023070	S.CER 0402B223K250CT	B	20.7/75.2											
C666	4030023010	S.CER 0402B104K160CT	T	34.3/22.5											
Eqv.	4030026220	S.CER MG15B104K160CT													
C667	4030023090	S.CER 0402B102K500CT	B	14.0/15.0											
Eqv.	4030026210	S.CER MG15B102K500CT													
C668	4030023090	S.CER 0402B102K500CT	B	12.0/18.7											
Eqv.	4030026210	S.CER MG15B102K500CT													
C669	4030023090	S.CER 0402B102K500CT	B	13.9/24.2											
Eqv.	4030026210	S.CER MG15B102K500CT													
C670	4030023090	S.CER 0402B102K500CT	B	13.0/29.4											
Eqv.	4030026210	S.CER MG15B102K500CT													
C671	4030022640	S.CER 0402N101J500CT	B	6.0/21.5											
Eqv.	4030026140	S.CER MG15N101J500CT													
C672	4030022640	S.CER 0402N101J500CT	B	6.9/16.1											
Eqv.	4030026140	S.CER MG15N101J500CT													
C673	4030023090	S.CER 0402B102K500CT	T	42.4/45.6											
Eqv.	4030026210	S.CER MG15B102K500CT													
C674	4030023090	S.CER 0402B102K500CT	T	16.1/22.4											
Eqv.	4030026210	S.CER MG15B102K500CT													
C675	4030023090	S.CER 0402B102K500CT	T	6.5/15.7											
Eqv.	4030026210	S.CER MG15B102K500CT													
C676	4030023090	S.CER 0402B102K500CT													

The underlined parts have been updated from the addendum of the previous version, or from the original page.

[MAIN-2 UNIT] (for [#43], [#44], [#46], [#47], [#53], [#56], [#63], [#64], and [#66])

REF NO.	PART NO.	DESCRIPTION	M.	H/V LOCATION	REF NO.	PART NO.	DESCRIPTION	M.	H/V LOCATION
IC1	1110007300	S.IC NJM2552V-TE1	B	35.6/72.6	D1	1750000581	S.DIO 1SV307 (TPH3F)	T	6.1/104.9
IC2	1130009981	S.IC TC7W53FK (TE85LF)	B	33.1/63.1	D2	1750001800	S.DIO RB886CS T2RA	T	13.2/102.7
IC5	1130011760	S.IC CD4094BPWR	B	39.9/44.3	D3	1750001800	S.DIO RB886CS T2RA	T	12.4/99.6
IC14	1110006490	S.IC LMV321IDCKR	T	7.7/69.0	D4	1750001800	S.DIO RB886CS T2RA	T	13.2/103.8
IC22	1110006490	S.IC LMV321IDCKR	B	23.9/64.7	D5	1750001800	S.DIO RB886CS T2RA	T	13.0/98.5
IC24	1130007021	S.IC TC7S66FU (TE85LF)	B	41.0/79.3	D6	1750001790	S.DIO 1SS390 TE61	B	11.2/56.2
IC25	1110006490	S.IC LMV321IDCKR	B	21.3/70.5	D8	1750000581	S.DIO 1SV307 (TPH3F)	T	10.3/110.7
IC203	1130012980	S.IC ADF4110BCPZ-RL7	B	29.7/44.4	D11	1750001790	S.DIO 1SS390 TE61	T	27.8/85.7
IC215	1110007630	S.IC NJM2783V-TE1	T	41.5/30.8	D12	1750001790	S.DIO 1SS390 TE61	T	37.4/71.0
IC216	1110007550	S.IC R2A20178NP	T	24.7/60.1	D13	1720000702	S.VAR 1SV305H3F	B	19.9/103.3
IC219	1130007021	S.IC TC7S66FU (TE85LF)	B	22.3/46.2	D14	1790001622	S.DIO 1SV308L3F	B	11.8/108.5
IC220	1110007550	S.IC R2A20178NP	T	28.4/37.4	D15	1720000702	S.VAR 1SV305H3F	B	31.2/102.2
IC221	1110008450	S.IC ISD8102SYI T&R	B	30.6/26.5	D16	1720000702	S.VAR 1SV305H3F	B	30.3/99.5
IC222	1110008550	S.IC NJM2904CRB1-TE1	B	24.9/59.2	D17	1750001790	S.DIO 1SS390 TE61	B	13.7/55.8
IC223	1110008550	S.IC NJM2904CRB1-TE1	B	9.9/30.9	D18	1750002170	S.DIO DB2S31400L	B	29.6/64.6
IC224	1110008550	S.IC NJM2904CRB1-TE1	B	10.0/25.6	D23	1790001980	S.DIO DA3S101FOL	T	32.2/109.1
IC225	1110008550	S.IC NJM2904CRB1-TE1	B	10.0/21.1	D24	1750001790	S.DIO 1SS390 TE61	T	33.7/67.0
IC226	1110008550	S.IC NJM2904CRB1-TE1	B	10.0/15.8	D25	1750001790	S.DIO 1SS390 TE61	T	37.3/66.8
IC228	1130009981	S.IC TC7W53FK (TE85LF)	B	10.5/11.8	D27	1750001810	S.DIO L1SS400T1G	T	37.2/110.1
IC229	1110008680	S.IC NJU72341V-TE2	T	38.6/39.5	D29	1790001622	S.DIO 1SV308L3F	B	12.8/104.9
IC231	1130009981	S.IC TC7W53FK (TE85LF)	T	42.3/48.4	D30	1750001810	S.DIO L1SS400T1G	T	34.3/17.6
IC232	1110008550	S.IC NJM2904CRB1-TE1	T	44.5/41.7	D31	1750001810	S.DIO L1SS400T1G	T	18.4/109.1
IC233	1110006490	S.IC LMV321IDCKR	B	11.9/5.8	D36	1750001810	S.DIO L1SS400T1G	B	42.2/112.7
IC234	6910026630	S.DC XC9234B75DER-G	B	30.6/8.3	D38	1750001771	S.VAR 1SV323H3F	T	19.4/41.5
IC235	1110008550	S.IC NJM2904CRB1-TE1	T	17.6/15.9	D40	1750002170	S.DIO DB2S31400L	B	27.3/69.9
IC238	1180004760	S.REG S-1200B33-M5T1U	T	30.3/89.2	D44	1790001622	S.DIO 1SV308L3F	B	13.2/102.3
IC239	1180004420	S.REG NJM2830U1-08-TE1	T	10.4/18.2	D45	1750001771	S.VAR 1SV323H3F	T	11.5/40.1
IC240	1180005110	S.REG NJM2836DL3-05-TE1	T	29.3/96.4	D46	1750001771	S.VAR 1SV323H3F	T	12.2/38.0
IC241	1130007021	S.IC TC7S66FU (TE85LF)	B	21.3/68.0	D48	1750001771	S.VAR 1SV323H3F	T	19.4/40.2
					D49	1750001800	S.DIO RB886CS T2RA	T	12.0/113.6
					D50	1720000702	S.VAR 1SV305H3F	B	28.0/105.4
					D51	1750001800	S.DIO RB886CS T2RA	T	12.0/112.5
					D52	1750001810	S.DIO L1SS400T1G	B	36.0/86.2
					D55	1750001790	S.DIO 1SS390 TE61	B	28.9/80.3
					D56	1750001790	S.DIO 1SS390 TE61	B	26.1/92.2
					D57	1750001790	S.DIO 1SS390 TE61	B	27.1/81.3
					D58	1750001790	S.DIO 1SS390 TE61	B	28.9/91.4
					D59	1750001800	S.DIO RB886CS T2RA	B	40.3/85.4
					D62	1750002170	S.DIO DB2S31400L	T	31.5/70.0
					D66	1750000520	S.DIO DAN222TL	T	31.3/62.7
					D67	1750001810	S.DIO L1SS400T1G	T	31.7/119.3
					D68	1750001690	S.DIO RB050LA-40	T	27.9/119.4
					D71	17300022830	S.ZEN DZ2J051MOL	B	40.9/26.0
					D72	1790002160	S.VAR TPD1E10B06DPYR	B	42.3/96.4
					D74	1750001800	S.DIO RB886CS T2RA	T	44.8/37.5
					D78	1750001810	S.DIO L1SS400T1G	T	21.0/96.5
					D80	1750001810	S.DIO L1SS400T1G	T	26.9/11.0
					D81	1750001810	S.DIO L1SS400T1G	T	24.2/111.0
					D82	1750001810	S.DIO L1SS400T1G	T	14.2/19.1
					D83	1750001810	S.DIO L1SS400T1G	T	30.7/91.6
					D85	1790002160	S.VAR TPD1E10B06DPYR	T	28.2/122.1
					D86	1790001622	S.DIO 1SV308L3F	B	30.3/77.2
					D87	1750001810	S.DIO L1SS400T1G	T	24.2/9.8
					D88	1750001810	S.DIO L1SS400T1G	T	26.8/9.8
					D89	1750001790	S.DIO 1SS390 TE61	T	36.5/68.6
						1750001790	S.DIO 1SS390 TE61		
						1750001790	S.DIO 1SS390 TE61		
						1750001790	S.DIO 1SS390 TE61		
						1750001790	S.DIO 1SS390 TE61		
					D90	1750001790	S.DIO 1SS390 TE61	T	30.4/85.7
						1750001790	S.DIO 1SS390 TE61		
						1750001790	S.DIO 1SS390 TE61		
						1750001790	S.DIO 1SS390 TE61		
					D91	1750001810	S.DIO L1SS400T1G	T	33.2/70.8
					D92	1750001810	S.DIO L1SS400T1G	T	33.2/73.3
					D93	1750002170	S.DIO DB2S31400L	T	23.8/85.7
					D94	1750002170	S.DIO DB2S31400L	B	27.7/90.5
					F11	2030000970	S.MON FL-455 (46.35 MHz)	B	23.4/86.8
					F12	2020002720	S.CER LTWC450D	T	28.1/79.0
					F13	2030000860	S.MON FL-439 (46.350 MHz)	B	30.2/85.7
					F14	2020002520	S.CER LTWC450H	T	41.1/77.1
					F15	2020002770	S.CER LTUCG450C	T	38.7/86.0
						2020002770	S.CER LTUCG450C		
						2020002770	S.CER LTUCG450C		
						2020002770	S.CER LTUCG450C		
					X1	6070000300	S.DIS JTBM450CX24	T	42.1/63.4
					X2	6050013940	S.XTA CR-994 (12.8 MHz)	B	32.8/38.8
					X203	6050013930	S.XTA CR-993 (15.3 MHz)	B	42.5/65.4
					L2	6200013110	S.COI 0.35-1.6-9TL 52.0N	T	8.6/115.9
					L3	6200013110	S.COI 0.35-1.6-9TL 52.0N	T	6.2/111.0
					L4	6200004480	S.COI MLF1608D R82K-T	T	9.0/105.0
					L5	6200012460	S.COI 0.30-1.7-8TL 54N	T	9.8/101.2
					L6	6200012850	S.COI 0.40-0.8-2TL 2.5N	T	8.1/90.2
					L7	6200013030	S.COI 0.35-1.6-6TL 31.0N	T	15.5/88.5
					L8	6200009220	S.COI LQW18AN15NG00D	T	11.0/78.0
					L10	6200013820	S.COI MLK1005S27NJT	T	15.4/77.8
					L11	6200013790	S.COI MLK1005S47NJT	T	15.5/71.0
					L12	6200013780	S.COI MLK1005S56NJT	B	15.5/66.5
					L15	6200012460	S.COI 0.30-1.7-8TL 54N	T	8.3/107.2
					L18	6200009890	S.COI C2012C-82NG-A	B	15.0/102.0
					L21	6200009890	S.COI C2012C-82NG-A	B	33.8/104.6
					L22	6200009930	S.COI C2012C-68NG-A	B	17.7/102.5
					L23	6200009890	S.COI C2012C-82NG-A	B	33.3/100.5
					L24	6200011090	S.COI C2012C-R56J-A	B	31.4/95.2
					L25	6200004600	S.COI MLF1608D R15K-T	B	27.6/75.6
					L38	6200014760	S.COI MLK1005SR22JT	B	13.0/54.6

Eqv.= This component is equivalent to the REF No. component listed above, and may be substituted on parts orders and repairs.

M.=Mounted side (T: Mounted on the Top side, B: Mounted on the Bottom side)
H/V LOCATION= Shows mounting location on the PCB.

The underlined parts have been updated from the addendum of the previous version, or from the original page.

[MAIN-2 UNIT] (for [#43], [#44], [#46], [#47], [#53], [#56], [#63], [#64], and [#66])

REF NO.	PART NO.	DESCRIPTION	M.	H/V LOCATION	REF NO.	PART NO.	DESCRIPTION	M.	H/V LOCATION
L45	6200012910	S.COI 0.35-1.6-8TL 45.5N	T	11.1/119.6	R114	7030016370	S.RES RMC1/16S-271JTH (270)	B	13.6/57.1
L46	6200012870	S.COI 0.30-1.4-5TR 23.5N	T	10.6/94.2	R115	7030016090	S.RES RMC1/16S-223JTH (22 k)	B	13.0/53.7
L56	6200013760	S.COI MLK100S82NJT	B	8.4/61.7	R117	7030015920	S.RES RMC1/16S-221JTH (220)	B	11.6/50.8
L57	6200010540	S.COI C2012C-47NG-A	T	17.2/40.9	R118	7030016130	S.RES RMC1/16S-150JTH (15)	T	10.7/50.7
L58	6200003550	S.COI MLF1608A 4R7K-T	T	13.3/41.6	R119	7030016050	S.RES RMC1/16S-103JTH (1 k)	B	15.9/50.0
L63	6200011050	S.COI C2012C-R12G-A	T	20.4/44.8	R120	7030016110	S.RES RMC1/16S-473JTH (47 k)	B	13.1/50.2
L64	6200011050	S.COI C2012C-R12G-A	T	8.9/42.4	R121	7030015910	S.RES RMC1/16S-101JTH (100)	B	15.0/48.8
L67	6200013760	S.COI MLK100S82NJT	T	15.9/50.2	R122	7030016170	S.RES RMC1/16S-560JTH (56)	B	28.5/47.9
L69	6200009890	S.COI C2012C-82NG-A	B	21.6/102.8	R123	7030011000	S.RES RR0510P-392-D (3.9 k)	T	20.9/47.3
L71	6200003640	S.COI MLF1608E 100K-T	T	8.4/40.2	R124	7030011000	S.RES RR0510P-392-D (3.9 k)	T	8.8/46.3
L72	6200003640	S.COI MLF1608E 100K-T	T	41.8/77.3	R130	7030016290	S.RES RMC1/16S-222JTH (2.2 k)	B	4.4/52.9
L85	6200004600	S.COI MLF1608D R15K-T	B	23.8/77.3	R134	7030015930	S.RES RMC1/16S-471JTH (470)	B	23.6/44.2
L86	6200004590	S.COI MLF1608D R18K-T	B	41.7/76.7	R135	7030016480	S.RES RMC1/16S-821JTH (820)	B	24.8/47.1
L87	6200003960	S.COI MLF1608A 1R0K-T	B	45.0/74.5	R140	7030016020	S.RES RMC1/16S-104JTH (100 k)	B	29.7/23.2
L88	6200004590	S.COI MLF1608D R18K-T	B	41.8/72.8	R142	7030015640	S.RES RMC1/10JPTP	T	18.5/31.3
L91	6200003550	S.COI MLF1608A 4R7K-T	T	15.4/40.9	R145	7030005820	S.RES RR0510P-103-D (10 k)	B	21.0/27.2
L92	6200011050	S.COI C2012C-R12G-A	T	9.2/38.4	R147	7030005950	S.RES RR0510P-123-D (12 k)	B	19.8/28.3
L93	6200018540	S.COI MLF1005G 2R2K-T	B	26.3/91.2	R148	7030016050	S.RES RMC1/16S-102JTH (1 k)	B	19.1/26.5
L94	6200018540	S.COI MLF1005G 2R2K-T	B	25.3/81.3	R150	7030016020	S.RES RMC1/16S-104JTH (100 k)	B	21.6/23.4
L95	6200018540	S.COI MLF1005G 2R2K-T	B	31.0/79.2	R192	7030012260	S.RES ERJ2RKD 4703X (470 k)	T	35.5/16.1
L96	6200018540	S.COI MLF1005G 2R2K-T	B	32.4/91.3	Eqv.	7030016740	S.RES RMC1/16SK474DTH (470 k)		
L97	6200011650	S.COI LQW18AN68NG00D	B	25.3/95.7	R193	7030016750	S.RES RMC1/16SK124DTH (120 k)	T	34.7/19.6
L99	6200014260	S.COI LQM2MPN2R2NG0L	B	27.5/77.7	R194	7030012260	S.RES ERJ2RKD 4703X (470 k)	T	19.9/109.9
L100	6200014260	S.COI LQM2MPN2R2NG0L	B	37.0/77.4	Eqv.	7030016740	S.RES RMC1/16SK474DTH (470 k)		
					R195	7030016750	S.RES RMC1/16SK124DTH (120 k)	T	17.3/109.4
R2	7030015780	S.RES RMC1/10-331JTP (330)	T	12.3/107.0	R210	7030016560	S.RES RMC1/16SJPTH	B	33.3/23.2
R3	7030016090	S.RES RMC1/16S-223JTH (22 k)	T	9.5/67.1	R211	7030016390	S.RES RMC1/16S-184JTH (180 k)	B	28.0/58.0
R4	7030015910	S.RES RMC1/16S-101JTH (100 k)	T	9.9/66.2	R212	7030016110	S.RES RMC1/16S-473JTH (47 k)	B	27.8/56.8
R5	7030016020	S.RES RMC1/16S-104JTH (100 k)	T	6.8/71.8	R213	7030016340	S.RES RMC1/16S-393JTH (39 k)	B	29.6/56.6
R7	7030016290	S.RES RMC1/16S-222JTH (2.2 k)	T	14.6/104.2	R214	7030016450	S.RES RMC1/16S-824JTH (820 k)	B	23.5/57.0
R8	7030016290	S.RES RMC1/16S-222JTH (2.2 k)	T	13.5/97.2	R219	7030015660	S.RES RMC1/10-2R7JTP (2.7)	T	11.2/79.6
R9	7030015780	S.RES RMC1/10-331JTP (330)	T	12.2/105.2	R220	7030015930	S.RES RMC1/16S-471JTH (470)	B	40.8/117.2
R10	7030015930	S.RES RMC1/16S-471JTH (470)	T	6.0/74.2	R222	7030016040	S.RES RMC1/16S-224JTH (220 k)	B	44.7/115.2
R11	7030016290	S.RES RMC1/16S-222JTH (2.2 k)	T	6.8/70.9	R223	7030015970	S.RES RMC1/16S-103JTH (10 k)	B	42.3/113.8
R12	7030016290	S.RES RMC1/16S-222JTH (2.2 k)	T	9.0/77.9	R224	7030016330	S.RES RMC1/16S-153JTH (15 k)	B	44.5/113.1
R13	7030016090	S.RES RMC1/16S-223JTH (22 k)	T	8.0/72.2	R225	7030015970	S.RES RMC1/16S-103JTH (10 k)	B	37.7/26.3
R14	7030015960	S.RES RMC1/16S-472JTH (4.7 k)	T	6.5/81.4	R226	7030016090	S.RES RMC1/16S-223JTH (22 k)	T	35.6/101.7
R15	7030015910	S.RES RMC1/16S-101JTH (100)	T	9.0/81.3	R227	7030016050	S.RES RMC1/16S-102JTH (1 k)	T	39.4/44.1
R16	7030015980	S.RES RMC1/16S-333JTH (33 k)	T	7.8/82.1	R231	7030016560	S.RES RMC1/16SJPTH	T	35.9/33.0
R17	7030016110	S.RES RMC1/16S-473JTH (47 k)	T	5.9/77.2	R252	7030016560	S.RES RMC1/16SJPTH	B	25.4/44.4
R18	7030015920	S.RES RMC1/16S-221JTH (220)	T	8.7/74.6	R253	7030016490	S.RES RMC1/16S-391JTH (390)	B	24.5/44.4
R19	7510001461	S.THR NTCG16 3NH 471JT	T	6.9/75.7	R254	7030015960	S.RES RMC1/16S-472JTH (4.7 k)	T	10.9/44.2
R20	7030015680	S.RES RMC1/10-150JTP (15)	B	16.1/64.0	R256	7030011920	S.RES RR0510P-561-D (560)	B	20.9/48.6
R21	7030016050	S.RES RMC1/16S-102JTH (1 k)	B	7.7/63.9	R258	7030008340	S.RES RR0510P-182-D (1.8 k)	T	17.8/46.1
R22	7030016050	S.RES RMC1/16S-102JTH (1 k)	B	13.7/63.0	R260	7030008340	S.RES RR0510P-182-D (1.8 k)	T	8.7/47.2
R23	7030016150	S.RES RMC1/16S-100JTH (10)	B	7.0/65.3	R262	7030011920	S.RES RR0510P-561-D (560)	T	14.0/44.7
R24	7030016210	S.RES RMC1/16S-121JTH (12)	B	9.6/60.5	R265	7030015930	S.RES RMC1/16S-471JTH (47 k)	T	18.3/50.3
R25	7030015900	S.RES RMC1/16S-470JTH (47)	B	11.0/59.4	R266	7030015990	S.RES RMC1/16S-683JTH (68 k)	T	17.1/49.3
R26	7030016210	S.RES RMC1/16S-121JTH (12)	B	9.6/58.0	R274	7030015930	S.RES RMC1/16S-471JTH (470)	B	33.0/68.4
R27	7030015920	S.RES RMC1/16S-221JTH (220)	T	16.2/72.8	R283	7030016390	S.RES RMC1/16S-184JTH (180 k)	B	29.6/57.5
R28	7030016080	S.RES RMC1/16S-822JTH (8.2 k)	T	11.8/57.9	R290	7030015900	S.RES RMC1/16S-470JTH (47)	T	43.7/68.3
R29	7030015950	S.RES RMC1/16S-152JTH (1.5 k)	T	10.1/58.8	R293	7030016000	S.RES RMC1/16S-823JTH (82 k)	B	35.2/106.7
R39	7030015970	S.RES RMC1/16S-103JTH (10 k)	B	11.9/57.7	R299	7030015640	S.RES RMC1/10JPTP	T	17.2/79.6
R40	7030016330	S.RES RMC1/16S-153JTH (15 k)	T	10.1/57.9	R302	7030015970	S.RES RMC1/16S-103JTH (10 k)	T	11.8/100.9
R41	7030015930	S.RES RMC1/16S-471JTH (470)	B	13.9/105.3	R303	7030015970	S.RES RMC1/16S-103JTH (10 k)	T	13.2/101.6
R43	7030016040	S.RES RMC1/16S-224JTH (220 k)	B	19.9/100.5	R304	7030015970	S.RES RMC1/16S-103JTH (10 k)	T	12.0/114.7
R44	7030016000	S.RES RMC1/16S-823JTH (82 k)	B	32.7/106.7	R305	7030016290	S.RES RMC1/16S-222JTH (2.2 k)	T	13.6/113.0
R45	7030016110	S.RES RMC1/16S-473JTH (47 k)	B	31.8/106.7	R311	7030016040	S.RES RMC1/16S-224JTH (220 k)	B	27.8/103.3
R47	7030016500	S.RES RMC1/16S-562JTH (5.6 k)	B	13.9/107.7	R313	7030015900	S.RES RMC1/16S-470JTH (47)	B	10.3/51.4
R48	7030016540	S.RES RMC1/16SK334FTH (330 k)	B	36.2/106.7	R316	7030016090	S.RES RMC1/16S-223JTH (22 k)	B	33.6/57.5
R49	7030015900	S.RES RMC1/16S-470JTH (47)	B	33.9/107.1	R317	7030016110	S.RES RMC1/16S-473JTH (47 k)	B	31.5/56.6
R51	7030016370	S.RES RMC1/16S-271JTH (270)	B	30.5/103.9	R318	7030015970	S.RES RMC1/16S-103JTH (10 k)	B	32.7/58.4
R52	7030016050	S.RES RMC1/16S-102JTH (1 k)	B	33.8/102.4	R319	7030016110	S.RES RMC1/16S-473JTH (47 k)	B	33.6/56.6
R53	7030015910	S.RES RMC1/16S-101JTH (100)	B	10.0/107.4	R320	7030016300	S.RES RMC1/16S-332JTH (3.3 k)	T	7.6/83.8
R54	7030016040	S.RES RMC1/16S-224JTH (220 k)	B	28.7/101.4	R321	7510001661	S.THR NTCG16 4LH 473JT	T	7.4/85.2
R58	7030016040	S.RES RMC1/16S-224JTH (220 k)	B	29.6/98.5	R322	7030016190	S.RES RMC1/16S-273JTH (27 k)	T	6.7/83.8
R59	7030016030	S.RES RMC1/16S-154JTH (150 k)	B	33.6/96.9	R323	7030016440	S.RES RMC1/16S-272JTH (2.7 k)	T	6.4/82.5
R60	7030015990	S.RES RMC1/16S-683JTH (68 k)	B	33.6/98.0	R331	7030016050	S.RES RMC1/16S-102JTH (1 k)	T	7.1/76.7
R62	7030016390	S.RES RMC1/16S-184JTH (180 k)	B	25.3/93.6	R333	7030016090	S.RES RMC1/16S-223JTH (22 k)	T	8.5/77.5
R63	7030015990	S.RES RMC1/16S-683JTH (68 k)	B	23.2/93.8	R334	7030015970	S.RES RMC1/16S-103JTH (10 k)	B	34.7/41.4
R64	7030015910	S.RES RMC1/16S-101JTH (100)	B	30.9/92.8	R338	7030016000	S.RES RMC1/16S-823JTH (82 k)	T	9.2/119.6
R65	7030016180	S.RES RMC1/16S-680JTH (68)	B	26.4/94.7	R349	7030015640	S.RES RMC1/10JPTP	B	39.6/88.5
R66	7030016050	S.RES RMC1/16S-102JTH (1 k)	B	33.1/95.0	R352	7030016270	S.RES RMC1/16S-151JTH (150)	B	32.2/80.6
R67	7030016560	S.RES RMC1/16SJPTH	B	33.9/106.2	R353	7030016560	S.RES RMC1/16SJPTH	B	31.2/90.8
R68	7030015960	S.RES RMC1/16S-472JTH (4.7 k)	B	25.4/79.2	R355	7030016240	S.RES RMC1/16S-684JTH (680 k)	B	45.1/72.3
R69	7030016050	S.RES RMC1/16S-102JTH (1 k)	B	26.0/75.2	R357	7030016050	S.RES RMC1/16S-102JTH (1 k)	B	45.1/78.7
R70	7030015960	S.RES RMC1/16S-472JTH (4.7 k)	B	25.2/80.1	R359	7030016050	S.RES RMC1/16S-102JTH (1 k)	B	21.5/39.7
R71	7030016050	S.RES RMC1/16S-102JTH (1 k)	T	40.4/67.8	R361	7030016090	S.RES RMC1/16S-223JTH (22 k)	B	27.0/82.6
R72	7030016220	S.RES RMC1/16S-563JTH (56 k)	B	34.0/65.7	R363	7030016090	S.RES RMC1/16S-223JTH (22 k)	B	28.8/93.4
R73	7030015970	S.RES RMC1/16S-103JTH (10 k)	B	29.9/68.1	R366	7030015910	S.RES RMC1/16S-101JTH (100)	B	23.5/81.7
R74	7030016150	S.RES RMC1/16S-100JTH (10)	B	39.1/78.9	R367	7030015910	S.RES RMC1/16S-101JTH (100)	B	22.8/91.8
R75	7030016040	S.RES RMC1/16S-224JTH (220 k)	B	40.6/81.2	R368	7030015970	S.RES RMC1/16S-103JTH (10 k)	B	14.7/54.7
R76	7030016020	S.RES RMC1/16S-104JTH (100 k)	B	31.2/73.1	R369	7030016050	S.RES RMC1/16S-102JTH (1 k)	B	25.6/76.4
R77	7030016050	S.RES RMC1/16S-102JTH (1 k)	B	34.0/68.1	R370	7030016050	S.RES RMC1/16S-102JTH (1 k)	B	12.2/102.0
R79	7030015								

The underlined parts have been updated from the addendum of the previous version, or from the original page.

[MAIN-2 UNIT] (for [#43], [#44], [#46], [#47], [#53], [#56], [#63], [#64], and [#66])

REF NO.	PART NO.	DESCRIPTION	M.	H/V LOCATION	REF NO.	PART NO.	DESCRIPTION	M.	H/V LOCATION
R400	7030005840	S.RES RR0510P-473-D (47 k)	B	23.7/62.4	R486	7030005860	S.RES RR0510P-823-D (82 k)	B	4.9/16.1
R401	7030016560	S.RES RMC1/16SJPTH	B	25.0/61.9		7030008270	S.RES RR0510P-104-D (100 k)	B	
R405	7030015970	S.RES RMC1/16S-103JTH (10 k)	B	42.8/79.0		7030008270	S.RES RR0510P-104-D (100 k)	B	
R407	7030016110	S.RES RMC1/16S-473JTH (47 k)	B	22.9/38.4		7030008270	S.RES RR0510P-104-D (100 k)	B	
R417	7030016020	S.RES RMC1/16S-104JTH (100 k)	B	40.6/39.5		7030008270	S.RES RR0510P-104-D (100 k)	B	
R419	7030016290	S.RES RMC1/16S-222JTH (2.2 k)	B	10.1/11.6		7030008270	S.RES RR0510P-104-D (100 k)	B	
R426	7030015910	S.RES RMC1/16S-101JTH (100)	B	24.1/73.7		7030005860	S.RES RR0510P-823-D (82 k)	B	
R427	7030016060	S.RES RMC1/16S-105JTH (1 M)	B	20.7/76.2		7030008270	S.RES RR0510P-104-D (100 k)	B	
R428	7030016300	S.RES RMC1/16S-332JTH (3.3 k)	B	23.2/70.8		7030008270	S.RES RR0510P-104-D (100 k)	B	
R431	7030016560	S.RES RMC1/16SJPTH	B	23.2/69.1	R487	7030016930	S.RES RMC1/16SK274DTH (270 k)	B	10.1/35.1
R432	7030016110	S.RES RMC1/16S-473JTH (47 k)	T	41.2/71.7	R488	7030018520	S.RES RMC1/16SK564FTH (560 k)	B	11.3/34.4
R433	7030016110	S.RES RMC1/16S-473JTH (47 k)	T	28.9/71.4	R489	7030016930	S.RES RMC1/16SK274DTH (270 k)	B	12.1/33.9
R434	7030015640	S.RES RMC1/10JPTP	T	37.2/18.6	R490	7030005850	S.RES RR0510P-563-D (56 k)	B	13.9/29.9
R443	7030016380	S.RES RMC1/16S-183JTH (18 k)	T	35.3/102.9	R491	7030007610	S.RES RR0510P-683-D (68 k)	B	12.4/27.6
R444	7030006010	S.RES RR0510P-472-D (4.7 k)	B	26.8/45.4	R492	7030008270	S.RES RR0510P-104-D (100 k)	B	13.9/25.4
R456	7030015910	S.RES RMC1/16S-101JTH (100)	B	20.6/50.1	R493	7030016750	S.RES RMC1/16SK124DTH (120 k)	B	13.0/22.6
R457	7410001130	S.ARR EXB28V102JX	T	30.4/50.6	R494	7030016750	S.RES RMC1/16SK124DTH (120 k)	B	13.0/21.0
R458	7030015970	S.RES RMC1/16S-103JTH (10 k)	B	22.6/43.9	R495	7030016750	S.RES RMC1/16SK124DTH (120 k)	B	13.0/19.1
R459	7030015910	S.RES RMC1/16S-101JTH (100)	B	30.2/41.0	R497	7030015980	S.RES RMC1/16S-333JTH (33 k)	B	12.1/8.8
R460	7030016250	S.RES RMC1/16S-220JTH (22)	B	32.5/45.6	R498	7030016400	S.RES RMC1/16S-564JTH (560 k)	T	43.2/35.3
R461	7030016560	S.RES RMC1/16SJPTH	B	35.3/37.5	R499	7030015960	S.RES RMC1/16S-472JTH (4.7 k)	T	43.3/36.2
R462	7410001140	S.ARR EXB28V104JX	T	26.0/48.7	R500	7030015980	S.RES RMC1/16S-333JTH (33 k)	T	42.3/25.6
R463	7030015970	S.RES RMC1/16S-103JTH (10 k)	B	21.1/49.1	R501	7030016250	S.RES RMC1/16S-220JTH (22)	T	35.0/34.4
R464	7030016000	S.RES RMC1/16S-823JTH (82 k)	B	22.9/36.8	R502	7030016560	S.RES RMC1/16SJPTH	T	35.1/39.1
R465	7030015970	S.RES RMC1/16S-103JTH (10 k)	B	42.4/68.8	R503	7030016200	S.RES RMC1/16S-274JTH (270 k)	T	21.2/125.0
R466	7030016560	S.RES RMC1/16SJPTH	B	43.5/62.9	R504	7030015970	S.RES RMC1/16S-103JTH (10 k)	T	23.0/125.0
R467	7030015990	S.RES RMC1/16S-683JTH (68 k)	B	40.5/63.0	R505	7030016020	S.RES RMC1/16S-104JTH (100 k)	T	33.0/121.1
R468	7030015930	S.RES RMC1/16S-471JTH (470)	T	23.5/63.5	R515	7030016020	S.RES RMC1/16S-104JTH (100 k)	T	7.9/21.7
R472	7030015930	S.RES RMC1/16S-471JTH (470)	T	28.7/33.9	R519	7030012340	S.RES RR0510P-821-D	B	26.6/14.8
R478	7030016560	S.RES RMC1/16SJPTH	B	9.2/35.1	R520	7030016750	S.RES RMC1/16SK124DTH (120 k)	B	27.5/9.3
	7030016780	S.RES RMC1/16SK224DTH (220 k)	[#44]		R521	7030016020	S.RES RMC1/16S-104JTH (100 k)	T	32.2/13.7
	7030016560	S.RES RMC1/16SJPTH	[#46]		R526	7030016050	S.RES RMC1/16S-102JTH (1 k)	B	13.5/8.4
	7030016560	S.RES RMC1/16SJPTH	[#47]		R527	7030015980	S.RES RMC1/16S-333JTH (33 k)	B	40.4/24.6
	7030016780	S.RES RMC1/16SK224DTH (220 k)	[#53]		R528	7030016290	S.RES RMC1/16S-222JTH (2.2 k)	B	37.7/23.0
	7030016560	S.RES RMC1/16SJPTH	[#56]		R529	7030015910	S.RES RMC1/16S-101JTH (100)	B	36.6/23.9
	7030016560	S.RES RMC1/16SJPTH	[#63]		R530	7030016420	S.RES RMC1/16S-182JTH (1.8 k)	B	19.2/14.3
	7030016780	S.RES RMC1/16SK224DTH (220 k)	[#64]		R532	7030016560	S.RES RMC1/16SJPTH	T	21.5/24.3
	7030016560	S.RES RMC1/16SJPTH	[#66]		R537	7030015970	S.RES RMC1/16S-103JTH (10 k)	B	23.2/99.3
R479	7030005950	S.RES RR0510P-123-D (12 k)	B	8.0/34.5	R540	7030016330	S.RES RMC1/16S-153JTH (15 k)	T	48.0/42.0
	7030017390	S.RES RMC1/16SK184FTH (180 k)	[#44]		R541	7030016100	S.RES RMC1/16S-334JTH (330 k)	T	48.0/40.1
	7030016780	S.RES RMC1/16SK224DTH (220 k)	[#46]		R542	7030016050	S.RES RMC1/16S-102JTH (1 k)	T	42.1/39.0
	7030016780	S.RES RMC1/16SK224DTH (220 k)	[#47]		R543	7030016320	S.RES RMC1/16S-225JTH (2.2 M)	T	44.7/38.6
	7030017390	S.RES RMC1/16SK184FTH (180 k)	[#53]		R544	7030016330	S.RES RMC1/16S-153JTH (15 k)	T	43.0/38.1
	7030016780	S.RES RMC1/16SK224DTH (220 k)	[#56]		R545	7030016100	S.RES RMC1/16S-334JTH (330 k)	T	46.6/37.5
	7030005950	S.RES RR0510P-123-D (12 k)	[#63]		R546	7030016060	S.RES RMC1/16S-105JTH (1 M)	T	48.5/38.3
	7030017390	S.RES RMC1/16SK184FTH (180 k)	[#64]		R548	7030016070	S.RES RMC1/16S-474JTH (470 k)	T	34.9/28.5
	7030016780	S.RES RMC1/16SK224DTH (220 k)	[#66]		R549	7030016220	S.RES RMC1/16S-563JTH (56 k)	T	34.3/32.4
R480	7030012260	S.RES ERJ2RKD 4703X (470 k)	B	6.8/33.2	R550	7030016560	S.RES RMC1/16SJPTH	T	26.8/33.9
Eqv.	7030016740	S.RES RMC1/16SK474DTH (470 k)	[#43]		R551	7030016560	S.RES RMC1/16SJPTH	T	25.9/34.4
R480	7030005850	S.RES RR0510P-563-D (56 k)	B	6.8/33.2	R552	7030016560	S.RES RMC1/16SJPTH	T	31.9/36.6
	7030017390	S.RES RMC1/16SK184FTH (180 k)	[#46]		R554	7030016560	S.RES RMC1/16SJPTH	T	31.9/38.6
	7030017390	S.RES RMC1/16SK184FTH (180 k)	[#47]		R555	7030016560	S.RES RMC1/16SJPTH	T	26.3/64.0
	7030005850	S.RES RR0510P-563-D (56 k)	[#53]		R556	7030016560	S.RES RMC1/16SJPTH	T	27.2/64.0
	7030017390	S.RES RMC1/16SK184FTH (180 k)	[#56]		R558	7030016560	S.RES RMC1/16SJPTH	T	21.5/61.7
	7030012260	S.RES ERJ2RKD 4703X (470 k)	[#63]		R559	7030016560	S.RES RMC1/16SJPTH	T	21.5/59.8
Eqv.	7030016740	S.RES RMC1/16SK474DTH (470 k)	[#63]		R561	7030016560	S.RES RMC1/16SJPTH	T	28.2/61.2
R480	7030005850	S.RES RR0510P-563-D (56 k)	B	6.8/33.2	R562	7030016560	S.RES RMC1/16SJPTH	T	29.1/61.2
	7030017390	S.RES RMC1/16SK184FTH (180 k)	[#66]		R563	7030016380	S.RES RMC1/16S-183JTH (18 k)	B	10.0/8.0
R481	7030016690	S.RES RMC1/16SK393FTH (39 k)	B	7.4/29.0	R564	7030016020	S.RES RMC1/16S-104JTH (100 k)	B	11.1/4.0
	7030008270	S.RES RR0510P-104-D (100 k)	[#44]		R565	7030016020	S.RES RMC1/16S-104JTH (100 k)	B	9.6/5.0
	7030008270	S.RES RR0510P-104-D (100 k)	[#46]		R566	7030015980	S.RES RMC1/16S-333JTH (33 k)	B	11.7/7.6
	7030008270	S.RES RR0510P-104-D (100 k)	[#47]		R568	7030016050	S.RES RMC1/16S-102JTH (1 k)	B	13.3/7.5
	7030008270	S.RES RR0510P-104-D (100 k)	[#53]		R569	7030016020	S.RES RMC1/16S-104JTH (100 k)	B	35.7/48.1
	7030008270	S.RES RR0510P-104-D (100 k)	[#56]		R571	7030006020	S.RES RR0510P-682-D (6.8 k)	B	27.8/14.4
	7030016690	S.RES RMC1/16SK393FTH (39 k)	[#63]		R572	7030016500	S.RES RMC1/16S-562JTH (5.6 k)	T	15.4/12.2
	7030008270	S.RES RR0510P-104-D (100 k)	[#64]		R573	7030019630	S.RES RL1220S-1R8-F (1.8)	T	20.3/10.6
	7030008270	S.RES RR0510P-104-D (100 k)	[#66]		R574	7030019630	S.RES RL1220S-1R8-F (1.8)	T	22.0/10.6
R482	7030017390	S.RES RMC1/16SK184FTH (180 k)	B	7.4/27.9	R575	7030019630	S.RES RL1220S-1R8-F (1.8)	T	27.5/7.6
	7030008270	S.RES RR0510P-104-D (100 k)	[#44]		R577	7030015940	S.RES RMC1/16S-681JTH (680)	T	23.8/12.7
	7030008270	S.RES RR0510P-104-D (100 k)	[#46]		R578	7030015970	S.RES RMC1/16S-103JTH (10 k)	T	24.6/14.7
	7030008270	S.RES RR0510P-104-D (100 k)	[#47]		R580	7030016050	S.RES RMC1/16S-102JTH (1 k)	T	16.8/19.4
	7030008270	S.RES RR0510P-104-D (100 k)	[#53]		R581	7030015970	S.RES RMC1/16S-103JTH (10 k)	T	21.1/18.5
	7030008270	S.RES RR0510P-104-D (100 k)	[#56]		R582	7030019580	S.RES RG1005P-104-B-T5 (100 k)	T	29.8/12.2
	7030017390	S.RES RMC1/16SK184FTH (180 k)	[#63]		R583	7030006020	S.RES RR0510P-682-D (6.8 k)	T	30.0/13.8
	7030008270	S.RES RR0510P-104-D (100 k)	[#64]		R584	7030019580	S.RES RG1005P-104-B-T5 (100 k)	T	30.4/15.0
	7030008270	S.RES RR0510P-104-D (100 k)	[#66]		R585	7030019600	S.RES RG1005P-103-B-T5 (10 k)	T	14.3/16.6
R483	7030005840	S.RES RR0510P-473-D (47 k)	B	5.8/24.3	R588	7030019630	S.RES RL1220S-1R8-F (1.8)	T	28.3/5.1
	7030008270	S.RES RR0510P-104-D (100 k)	[#44]		R589	7030019600	S.RES RG1005P-103-B-T5 (10 k)	T	15.6/18.3
	7030008270	S.RES RR0510P-104-D (100 k)	[#46]		R590	7030016050	S.RES RMC1/16S-102JTH (1 k)	T	14.7/13.5
	7030008270	S.RES RR0510P-104-D (100 k)	[#47]		R591	7030016050	S.RES RMC1/16S-102JTH (1 k)	T	16.3/11.7
	7030008270	S.RES RR0510P-104-D (100 k)	[#53]		R593	7030016560	S.RES RMC1/16SJPTH	B	38.6/27.2
	7030008270	S.RES RR0510P-104-D (100 k)	[#56]		R594	7030016020	S.RES RMC1/16S-104JTH (100 k)	T	47.2/45.3
	7030005840	S.RES RR0510P-473-D (47 k)	[#63]		R595	7030016020	S.RES RMC1/16S-104JTH (100 k)	T	43.1/44.7
	7030008270	S.RES RR0510P-104-D (100 k)	[#64]		R596	7030016050	S.RES RMC1/16S-102JTH (1 k)	B	21.7/57.4
	7030008270	S.RES RR0510P-104-D (100 k)	[#66]		R597	7030016060	S.RES RMC1/16S-105JTH (1 M)	B	25.7/55.8
R484	7030008270	S.RES RR0510P-104-D (100 k)	B	6.2/23.0	R600	7030016050	S.RES RMC1/16S-102JTH (1 k)	B	35.5/51.8
R485	7030005840	S.RES RR0510P-473-D (47 k)	B	5.8/17.7	R601	7030016560	S.RES RMC1/16SJPTH	B	20.2/65.4
	7030008270	S.RES RR0510P-104-D (100 k)	[#44]		R602	7030016560	S.RES RMC1/16SJPTH	T	22.1/98.4
	7030008270	S.RES RR0510P-104-D (100 k)	[#46]		R604	703001656			

The underlined parts have been updated from the addendum of the previous version, or from the original page.

[MAIN-2 UNIT] (for [#43], [#44], [#46], [#47], [#53], [#56], [#63], [#64], and [#66])

REF NO.	PART NO.	DESCRIPTION	M.	H/V LOCATION	REF NO.	PART NO.	DESCRIPTION	M.	H/V LOCATION
R622	7030016110	S.RES RMC1/16S-473JTH (47 k)	B	15.4/21.3	C48	4030023090	S.CER 0402B102K500CT	T	19.9/57.6
R623	7030016110	S.RES RMC1/16S-473JTH (47 k)	B	10.2/28.3	Eqv.	4030026210	S.CER MG15B102K500CT		
R624	7030016110	S.RES RMC1/16S-473JTH (47 k)	B	14.3/31.2	C49	4550009240	S.TAN 267E1602225MR	T	10.4/56.3
R626	7030015960	S.RES RMC1/16S-472JTH (4.7 k)	B	6.0/16.1	C50	4030023820	S.CER 0603B104K250CT	T	19.1/55.6
R627	7030016110	S.RES RMC1/16S-473JTH (47 k)	B	6.9/21.5	Eqv.	4030026170	S.CER MG18B104K250CT		
R629	7030016110	S.RES RMC1/16S-473JTH (47 k)	B	6.9/25.6	C51	4030023090	S.CER 0402B102K500CT	T	10.1/59.7
R632	7030016110	S.RES RMC1/16S-473JTH (47 k)	B	6.9/31.3	Eqv.	4030026210	S.CER MG15B102K500CT		
R635	7030015900	S.RES RMC1/16S-470JTH (47)	B	7.5/67.2	C52	4030023010	S.CER 0402B104K160CT	T	10.1/60.7
R637	7030016020	S.RES RMC1/16S-104JTH (100 k)	B	40.0/64.2	Eqv.	4030026220	S.CER MG15B104K160CT		
R638	7030016290	S.RES RMC1/16S-222JTH (2.2 k)	B	31.9/77.7	C53	4030023580	S.CER 0603N220J500CT	T	3.2/106.3
R639	7030016050	S.RES RMC1/16S-102JTH (1 k)	B	24.8/78.0	C54	4030022740	S.CER 0402N220J500CT	T	11.7/111.2
R641	7030016110	S.RES RMC1/16S-473JTH (47 k)	T	46.3/44.7	C56	4030023090	S.CER 0402B102K500CT	T	12.9/110.7
R642	7030015940	S.RES RMC1/16S-681JTH (680)	T	23.3/13.9	Eqv.	4030026210	S.CER MG15B102K500CT		
R644	7030016020	S.RES RMC1/16S-104JTH (100 k)	T	39.7/45.4	C57	4030023090	S.CER 0402B102K500CT	B	16.4/107.1
R645	7030016020	S.RES RMC1/16S-104JTH (100 k)	T	39.7/47.0	Eqv.	4030026210	S.CER MG15B102K500CT		
R646	7030016020	S.RES RMC1/16S-104JTH (100 k)	T	38.8/47.6	C58	4030023090	S.CER 0402B102K500CT	B	12.7/107.1
R647	7030016020	S.RES RMC1/16S-104JTH (100 k)	T	37.9/47.6	Eqv.	4030026210	S.CER MG15B102K500CT		
R648	7030016020	S.RES RMC1/16S-104JTH (100 k)	T	41.8/46.6	C60	4030023090	S.CER 0402B102K500CT	B	21.2/100.6
R649	7030016360	S.RES RMC1/16S-123JTH (12 k) [#43]	T	32.3/85.4	Eqv.	4030026210	S.CER MG15B102K500CT		
	7030016360	S.RES RMC1/16S-123JTH (12 k) [#44]			C61	4030023010	S.CER 0402B104K160CT	B	24.0/92.5
	7030016360	S.RES RMC1/16S-123JTH (12 k) [#46]			Eqv.	4030026220	S.CER MG15B104K160CT		
	7030016360	S.RES RMC1/16S-123JTH (12 k) [#47]			C62	4030026590	S.CER RF15N180J500CT	B	27.9/107.0
R650	7030016050	S.RES RMC1/16S-102JTH (1 k)	T	31.1/69.0	C63	4030023090	S.CER 0402B102K500CT	B	11.0/109.9
R651	7030016560	S.RES RMC1/16SJPPTH	B	36.5/79.5	Eqv.	4030026210	S.CER MG15B102K500CT		
R652	7030016090	S.RES RMC1/16S-223JTH (22 k)	B	21.2/72.2	C64	4030023090	S.CER 0402B102K500CT	B	12.1/100.3
R653	7030016050	S.RES RMC1/16S-102JTH (1 k)	T	20.3/75.7	Eqv.	4030026210	S.CER MG15B102K500CT		
R654	7030015960	S.RES RMC1/16S-472JTH (4.7 k)	B	23.9/79.2	C65	4030023090	S.CER 0402B102K500CT	B	37.1/106.7
R655	7030016030	S.RES RMC1/16S-154JTH (150 k)	B	32.6/64.9	Eqv.	4030026210	S.CER MG15B102K500CT		
R656	7030016190	S.RES RMC1/16S-273JTH (27 k)	B	27.3/61.1	C66	4030023010	S.CER 0402B104K160CT	B	36.5/105.0
R657	7030016040	S.RES RMC1/16S-224JTH (220 k)	B	28.0/59.6	Eqv.	4030026220	S.CER MG15B104K160CT		
R658	7030015930	S.RES RMC1/16S-471JTH (470)	B	15.4/105.8	C67	4030023090	S.CER 0402B102K500CT	B	34.7/102.6
R660	7030016020	S.RES RMC1/16S-104JTH (100 k)	B	31.4/23.2	Eqv.	4030026210	S.CER MG15B102K500CT		
R662	7030016050	S.RES RMC1/16S-102JTH (1 k)	T	39.1/23.0	C68	4030023090	S.CER 0402B102K500CT	B	29.6/103.9
R670	7030016360	S.RES RMC1/16S-123JTH (12 k) [#43]	T	34.5/70.8	Eqv.	4030026210	S.CER MG15B102K500CT		
	7030016360	S.RES RMC1/16S-123JTH (12 k) [#44]			C69	4030020000	S.CER C1005 JB 1A 105K-T	B	36.5/103.1
	7030016360	S.RES RMC1/16S-123JTH (12 k) [#46]			C71	4030026570	S.CER RF15N120J500CT	B	17.0/104.1
	7030016360	S.RES RMC1/16S-123JTH (12 k) [#47]			C72	4030022520	S.CER 0402N1R0B500CT	B	31.8/105.1
R671	7030017740	S.RES RMC1/10-271JTP (270)	T	35.2/106.7	C73	4030022790	S.CER 0402N2R5B500CT	B	32.9/102.4
R672	7030015900	S.RES RMC1/16S-470JTH (47)	B	17.5/105.9	C74	4030022720	S.CER 0402N1R5B500CT	B	35.3/101.0
R673	7030015930	S.RES RMC1/16S-471JTH (470)	B	22.4/80.0	C75	4030023090	S.CER 0402B102K500CT	B	29.6/102.3
R674	7030016460	S.RES RMC1/16S-181JTH (180)	T	28.2/110.8	Eqv.	4030026210	S.CER MG15B102K500CT		
R677	7030015960	S.RES RMC1/16S-472JTH (4.7 k)	T	32.5/46.6	C76	4030023090	S.CER 0402B102K500CT	B	39.1/108.4
R678	7030016020	S.RES RMC1/16S-104JTH (100 k)	T	33.1/45.7	Eqv.	4030026210	S.CER MG15B102K500CT		
R679	7030010990	S.RES RRC0510P-272-D (2.7 k)	B	25.4/14.4	C77	4030026710	S.CER RF15N2R0J500CT	B	33.6/98.9
R680	7030016090	S.RES RMC1/16S-223JTH (22 k)	B	33.6/29.6	C78	4030026590	S.CER RF15N180J500CT	B	31.7/98.1
R682	7030016140	S.RES RMC1/16S-124JTH (120 k)	T	45.1/44.7	C79	4030023090	S.CER 0402B102K500CT	B	30.3/100.9
R683	7030015960	S.RES RMC1/16S-472JTH (4.7 k)	T	29.0/42.3	Eqv.	4030026210	S.CER MG15B102K500CT		
R684	7030015970	S.RES RMC1/16S-103JTH (10 k)	T	29.0/41.4	C80	4030023090	S.CER 0402B102K500CT	B	24.4/93.7
R685	7030015970	S.RES RMC1/16S-103JTH (10 k)	T	32.4/41.0	Eqv.	4030026210	S.CER MG15B102K500CT		
R686	7030015970	S.RES RMC1/16S-103JTH (10 k)	T	26.7/54.9	C81	4030023090	S.CER 0402B102K500CT	B	28.2/94.7
R687	7030016020	S.RES RMC1/16S-104JTH (100 k)	T	29.0/45.8	Eqv.	4030026210	S.CER MG15B102K500CT		
R688	7030016020	S.RES RMC1/16S-104JTH (100 k)	T	26.3/42.8	C82	4030023030	S.CER 0402B103K250CT	B	32.9/92.6
R689	7030016020	S.RES RMC1/16S-104JTH (100 k)	T	31.0/42.8	Eqv.	4030026200	S.CER MG15B103K250CT		
R690	7030016020	S.RES RMC1/16S-104JTH (100 k)	T	24.5/54.4	C83	4030023090	S.CER 0402B102K500CT	B	33.8/92.6
					Eqv.	4030026210	S.CER MG15B102K500CT		
					C84	4030023090	S.CER 0402B102K500CT	B	33.8/93.8
C3	4030023580	S.CER 0603N220J500CT	T	8.3/118.0	Eqv.	4030026210	S.CER MG15B102K500CT		
C4	4030023410	S.CER 0603N9R0D500CT	T	9.6/113.8	C85	4030026590	S.CER RF15N180J500CT	B	34.1/95.1
C5	4030023620	S.CER 0603N270J500CT	T	6.7/113.8	C86	4030026750	S.CER RF15N7R0C500CT	B	20.1/85.3
C6	4030023350	S.CER 0603N5R0B500CT	T	8.3/112.0	C87	4030022560	S.CER 0402N5R0B500CT	B	13.7/99.9
C7	4030023580	S.CER 0603N220J500CT	T	3.2/107.8	C88	4030023030	S.CER 0402B103K250CT	B	25.7/77.0
C8	4030023850	S.CER 0603B102K500CT	T	5.1/107.0	Eqv.	4030026200	S.CER MG15B103K250CT		
Eqv.	4030026460	S.CER MG18B102K500CT			C90	4030023090	S.CER 0402B102K500CT	B	29.0/76.2
C9	4030023850	S.CER 0603B102K500CT	T	12.7/108.5	Eqv.	4030026210	S.CER MG15B102K500CT		
Eqv.	4030026460	S.CER MG18B102K500CT			C91	4030026760	S.CER RF15N8R0C500CT	B	38.5/67.7
C10	4030023850	S.CER 0603B102K500CT	T	9.0/103.8	C92	4030023020	S.CER 0402B473K160CT	B	35.6/64.9
Eqv.	4030026460	S.CER MG18B102K500CT			C93	4030023090	S.CER 0402B102K500CT	B	31.7/67.9
C11	4030022610	S.CER 0402NOR3B500CT	T	11.5/103.8	Eqv.	4030026210	S.CER MG15B102K500CT		
C13	4030023580	S.CER 0603N220J500CT	T	7.1/102.6	C95	4030023030	S.CER 0402B103K250CT	B	31.6/68.8
C14	4030023580	S.CER 0603N220J500CT	T	9.0/98.7	Eqv.	4030026200	S.CER MG15B103K250CT		
C15	4030022610	S.CER 0402NOR3B500CT	T	11.2/98.5	C97	4550007520	S.TAN F931A106MAABMA	B	36.6/81.0
C17	4030023200	S.CER 0402B471K500CT	T	7.2/74.0	Eqv.	4550009370	S.TAN 267E1002106MR533		
C19	4030023590	S.CER 0603N221J500CT	T	9.0/97.5	C98	4030022640	S.CER 0402N101J500CT	B	29.1/71.8
C20	4030023090	S.CER 0402B102K500CT	T	14.5/109.4	Eqv.	4030026140	S.CER MG15N101J500CT		
Eqv.	4030026210	S.CER MG15B102K500CT			C99	4030023030	S.CER 0402B103K250CT	B	28.6/70.6
C23	4030023130	S.CER 0402B222K500CT	T	9.2/71.8	Eqv.	4030026200	S.CER MG15B103K250CT		
C24	4030023010	S.CER 0402B104K160CT	T	14.5/91.0	C100	4030023200	S.CER 0402B471K500CT	B	29.9/69.0
Eqv.	4030026220	S.CER MG15B104K160CT			C101	4030019560	S.CER GRM21BB31C106KE15L	B	36.5/78.1
C25	4030023090	S.CER 0402B102K500CT	T	8.5/83.8	C102	4030023200	S.CER 0402B471K500CT	B	28.6/69.3
Eqv.	4030026210	S.CER MG15B102K500CT			C103	4030026720	S.CER RF15N3R0B500CT	B	43.0/74.1
C28	4030023030	S.CER 0402B103K250CT	T	9.7/68.4	C104	4030023030	S.CER 0402B103K250CT	B	37.0/68.2
Eqv.	4030026200	S.CER MG15B103K250CT			Eqv.	4030026200	S.CER MG15B103K250CT		
C29	4030023090	S.CER 0402B102K500CT	B	14.7/63.0	C106	4030023010	S.CER 0402B104K160CT	B	40.1/70.6
Eqv.	4030026210	S.CER MG15B102K500CT			Eqv.	4030026220	S.CER MG15B104K160CT		
C30	4030022900	S.CER 0402N680J500CT	T	13.4/78.0	C107	4030020000	S.CER C1005 JB 1A 105K-T	T	42.6/67.4
C31	4030023030	S.CER 0402B103K250CT	T	17.6/75.9	C110	4030023090	S.CER 0402B102K500CT	B	36.5/104.1
Eqv.	4030026200	S.CER MG15B103K250CT			Eqv.	4030026210	S.CER MG15B102K500CT		
C32	4030023090	S.CER 0402B102K500CT	T	8.7/76.2	C113	4030023010	S.CER 0402B104K160CT	B	42.8/80.9
Eqv.	4030026210	S.CER MG15B102K500CT			Eqv.	4030026220	S.CER MG15B104K160CT		
C33	4030023090	S.CER 0							

The underlined parts have been updated from the addendum of the previous version, or from the original page.

[MAIN-2 UNIT] (for [#43], [#44], [#46], [#47], [#53], [#56], [#63], [#64], and [#66])

REF NO.	PART NO.	DESCRIPTION	M.	H/V LOCATION	REF NO.	PART NO.	DESCRIPTION	M.	H/V LOCATION
C126	4030023010	S.CER 0402B104K160CT	T	26.6/122.4	C315	4030023670	S.CER 0603N330J500CT	T	12.2/45.2
Eqv.	4030026220	S.CER MG15B102K500CT			C316	4030024490	S.CER 0402NR75B500CT	T	16.3/48.4
C127	4030023090	S.CER 0402B102K500CT	T	33.9/109.6	C317	4030024490	S.CER 0402NR75B500CT	T	12.4/49.7
Eqv.	4030026210	S.CER MG15B102K500CT			C319	4030023090	S.CER 0402B102K500CT	T	19.6/49.8
C130	4510009700	S.ELE EEEFK1C101P	T	37.9/115.5	Eqv.	4030026210	S.CER MG15B102K500CT		
C150	4030022680	S.CER 0402N150J500CT	B	11.0/55.0	C321	4030023030	S.CER 0402B103K250CT	B	36.1/68.2
C151	4030022600	S.CER 0402N9R0C500CT	B	11.9/51.8	Eqv.	4030026200	S.CER MG15B103K250CT		
C152	4030023090	S.CER 0402B102K500CT	B	14.6/53.8	C323	4030023030	S.CER 0402B103K250CT	B	27.3/94.7
Eqv.	4030026210	S.CER MG15B102K500CT			Eqv.	4030026200	S.CER MG15B103K250CT		
C153	4030023090	S.CER 0402B102K500CT	B	14.1/49.0	C327	4030023090	S.CER 0402B102K500CT	B	28.7/103.3
Eqv.	4030026210	S.CER MG15B102K500CT			Eqv.	4030026210	S.CER MG15B102K500CT		
C155	4030022810	S.CER 0402N330J500CT	T	12.5/50.7	C328	4030023090	S.CER 0402B102K500CT	B	26.9/101.1
C156	4030023090	S.CER 0402B102K500CT	B	15.9/48.9	Eqv.	4030026210	S.CER MG15B102K500CT		
Eqv.	4030026210	S.CER MG15B102K500CT			C329	4030026710	S.CER RF15N2R0B500CT	B	21.2/104.9
C168	4550009170	S.TAN 267M3502334MR	T	17.6/38.3	C330	4030023030	S.CER 0402B103K250CT	B	31.1/58.4
C169	4550009240	S.TAN 267E1602225MR	B	25.0/48.6	Eqv.	4030026200	S.CER MG15B103K250CT		
C170	4030022720	S.CER 0402N1R5B500CT	T	19.2/42.6	C331	4030023010	S.CER 0402B104K160CT	B	12.5/10.2
C171	4030023090	S.CER 0402B102K500CT	B	12.8/59.1	Eqv.	4030026220	S.CER MG15B104K160CT		
Eqv.	4030026210	S.CER MG15B102K500CT			C333	4030023090	S.CER 0402B102K500CT	B	6.8/97.0
C172	4030023010	S.CER 0402B104K160CT	B	8.3/52.0	Eqv.	4030026210	S.CER MG15B102K500CT		
Eqv.	4030026220	S.CER MG15B104K160CT			C335	4030023670	S.CER 0603N330J500CT	T	12.9/46.4
C173	4550008160	S.TAN F931A226MAA	B	7.7/55.0	C336	4030022860	S.CER 0402N470J500CT	T	10.5/42.2
Eqv.	4550009110	S.TAN 267E1002226MR533			C338	4030023670	S.CER 0603N330J500CT	T	18.6/44.4
C174	4030023010	S.CER 0402B104K160CT	B	22.2/50.1	C347	4030023010	S.CER 0402B104K160CT	B	36.5/76.7
Eqv.	4030026220	S.CER MG15B104K160CT			Eqv.	4030026220	S.CER MG15B104K160CT		
C176	4030023010	S.CER 0402B104K160CT	T	16.4/109.4	C349	4550009170	S.TAN 267M3502334MR	B	24.9/41.1
Eqv.	4030026220	S.CER MG15B104K160CT			C350	4030022860	S.CER 0402N470J500CT	T	16.7/75.9
C180	4030023010	S.CER 0402B104K160CT	T	34.7/18.7	C351	4030022750	S.CER 0402N221J500CT	T	7.2/67.1
Eqv.	4030026220	S.CER MG15B104K160CT			C352	4030023090	S.CER 0402B102K500CT	T	9.2/72.7
C186	4030023010	S.CER 0402B104K160CT	B	18.9/28.4	Eqv.	4030026210	S.CER MG15B102K500CT		
Eqv.	4030026220	S.CER MG15B104K160CT			C354	4030023090	S.CER 0402B102K500CT	B	36.2/61.6
C187	4030023010	S.CER 0402B104K160CT	B	17.0/25.9	Eqv.	4030026210	S.CER MG15B102K500CT		
Eqv.	4030026220	S.CER MG15B104K160CT			C355	4030021240	S.CER C1005 JB 1C 105K-T	B	30.8/38.8
C188	4030017480	S.CER C1608 JB 1A 474K-T	B	18.0/26.4	C356	4030023010	S.CER 0402B104K160CT	B	40.1/72.5
C190	4030022750	S.CER 0402N221J500CT	B	14.4/104.1	Eqv.	4030026220	S.CER MG15B104K160CT		
C191	4030023030	S.CER 0402B103K250CT	B	31.5/103.5	C357	4030022980	S.CER 0402B473K100CT	B	35.1/66.9
Eqv.	4030026200	S.CER MG15B103K250CT			C361	4030022550	S.CER 0402N4R0B500CT	B	30.3/81.1
C192	4030023090	S.CER 0402B102K500CT	B	26.9/99.6	C364	4030026720	S.CER RF15N3R0B500CT	B	32.5/90.4
Eqv.	4030026210	S.CER MG15B102K500CT			C365	4030022680	S.CER 0402N150J500CT	B	33.5/84.2
C193	4030023090	S.CER 0402B102K500CT	B	26.8/98.7	C372	4030023090	S.CER 0402B102K500CT	T	15.4/91.0
Eqv.	4030026210	S.CER MG15B102K500CT			Eqv.	4030026210	S.CER MG15B102K500CT		
C196	4030023010	S.CER 0402B104K160CT	B	22.6/28.8	C373	4030023090	S.CER 0402B102K500CT	T	11.1/66.7
Eqv.	4030026220	S.CER MG15B104K160CT			Eqv.	4030026210	S.CER MG15B102K500CT		
C197	4030023250	S.CER 0402B682K500CT	[#43] B	27.3/62.2	C375	4030022610	S.CER 0402N0R3B500CT	T	9.7/112.8
	4030023020	S.CER 0402B473K160CT	[#44]		C376	4030023090	S.CER 0402B102K500CT	T	32.1/49.3
	4030023020	S.CER 0402B473K160CT	[#46]		Eqv.	4030026210	S.CER MG15B102K500CT		
	4030023020	S.CER 0402B473K160CT	[#47]		C377	4030022620	S.CER 0402N0R5B500CT	T	10.2/49.3
	4030023020	S.CER 0402B473K160CT	[#53]		C379	4030023330	S.CER 0603N4R0B500CT	T	16.8/43.8
	4030023020	S.CER 0402B473K160CT	[#56]		C381	4030023090	S.CER 0402B102K500CT	B	36.2/62.8
	4030023250	S.CER 0402B682K500CT	[#63]		Eqv.	4030026210	S.CER MG15B102K500CT		
	4030023020	S.CER 0402B473K160CT	[#64]		C383	4030023330	S.CER 0603N4R0B500CT	T	11.4/43.6
	4030023020	S.CER 0402B473K160CT	[#66]		C384	4030021520	S.CER GRM31CB31H106KA12L	T	25.0/109.6
C201	4030022840	S.CER 0402N390J500CT	B	38.5/68.6	C385	4030021240	S.CER C1005 JB 1C 105K-T	T	21.6/106.1
C202	4030023010	S.CER 0402B104K160CT	B	15.0/6.8	C386	4030026740	S.CER RF15N5R0B500CT	T	11.7/41.2
Eqv.	4030026220	S.CER MG15B104K160CT			C387	4030023090	S.CER 0402B102K500CT	B	30.6/48.1
C211	4030023330	S.CER 0603N4R0B500CT	T	13.2/119.4	Eqv.	4030026210	S.CER MG15B102K500CT		
C212	4030023720	S.CER 0603N470J500CT	T	6.7/96.3	C388	4030023090	S.CER 0402B102K500CT	T	20.3/90.4
C223	4030024520	S.CER C1005 JB 1C 474K-T	B	33.3/21.5	Eqv.	4030026210	S.CER MG15B102K500CT		
C225	4030024050	S.CER 0603B473K500CT	B	6.8/12.9	C389	4030026740	S.CER RF15N5R0B500CT	T	12.1/39.0
C229	4030023030	S.CER 0402B103K250CT	T	44.6/68.8	C390	4030023090	S.CER 0402B102K500CT	B	32.8/76.8
Eqv.	4030026200	S.CER MG15B103K250CT			Eqv.	4030026210	S.CER MG15B102K500CT		
C232	4030026710	S.CER RF15N2R0B500CT	B	24.1/91.6	C391	4030022900	S.CER 0402N680J500CT	B	26.5/76.4
C235	4030020000	S.CER C1005 JB 1A 105K-T	B	8.2/108.9	C392	4030023090	S.CER 0402B102K500CT	B	23.6/75.2
C237	4030023090	S.CER 0402B102K500CT	B	40.8/118.2	Eqv.	4030026210	S.CER MG15B102K500CT		
Eqv.	4030026210	S.CER MG15B102K500CT			C393	4030020000	S.CER C1005 JB 1A 105K-T	B	24.7/76.4
C238	4550009050	S.TAN 267E1602475MR	T	38.5/120.9	C394	4030023030	S.CER 0402B103K250CT	B	23.8/77.6
C239	4030022980	S.CER 0402B473K100CT	B	44.7/116.2	Eqv.	4030026200	S.CER MG15B103K250CT		
C240	4030023090	S.CER 0402B102K500CT	B	40.3/116.3	C395	4030023090	S.CER 0402B102K500CT	B	15.9/54.2
Eqv.	4030026210	S.CER MG15B102K500CT			Eqv.	4030026210	S.CER MG15B102K500CT		
C241	4030023090	S.CER 0402B102K500CT	B	45.3/114.2	C396	4030026570	S.CER RF15N120J500CT	B	15.1/56.7
Eqv.	4030026210	S.CER MG15B102K500CT			C397	4030022680	S.CER 0402N150J500CT	B	16.2/60.5
C242	4030023010	S.CER 0402B104K160CT	B	37.7/24.7	C398	4030022860	S.CER 0402N470J500CT	B	42.1/74.1
Eqv.	4030026220	S.CER MG15B104K160CT			C399	4030022650	S.CER 0402N110J500CT	B	42.8/75.6
C243	4030023090	S.CER 0402B102K500CT	B	40.4/114.5	C400	4030022640	S.CER 0402N101J500CT	B	41.2/74.1
Eqv.	4030026210	S.CER MG15B102K500CT			Eqv.	4030026140	S.CER MG15N101J500CT		
C245	4030023010	S.CER 0402B104K160CT	T	35.3/103.8	C401	4030022550	S.CER 0402N4R0B500CT	B	41.2/75.5
Eqv.	4030026220	S.CER MG15B104K160CT			C402	4030022880	S.CER 0402N560J500CT	B	40.3/74.1
C249	4030023090	S.CER 0402B102K500CT	T	27.2/52.8	C403	4030023090	S.CER 0402B102K500CT	B	32.9/44.0
Eqv.	4030026210	S.CER MG15B102K500CT			Eqv.	4030026210	S.CER MG15B102K500CT		
C274	4030023090	S.CER 0402B102K500CT	B	36.2/84.6	C405	4030023090	S.CER 0402B102K500CT	B	19.4/99.2
Eqv.	4030026210	S.CER MG15B102K500CT			Eqv.	4030026210	S.CER MG15B102K500CT		
C293	4030023090	S.CER 0402B102K500CT	B	12.7/4.0	C407	4030020450	S.CER C1005 JB 0J 475M-T	B	16.3/105.4
Eqv.	4030026210	S.CER MG15B102K500CT			C418	4030023090	S.CER 0402B102K500CT	T	40.3/12.6
C294	4030020000	S.CER C1005 JB 1A 105K-T	B	29.6/55.7	Eqv.	4030026210	S.CER MG15B102K500CT		
C296	4030023760	S.CER 0603N680J500CT	T	9.2/87.2	C420	4030023090	S.CER 0402B102K500CT	T	37.3/104.8
C297	4030023570	S.CER 0603N201J500CT	T	6.7/95.1	Eqv.	4030026210	S.CER MG15B102K500CT		
C301	4030023090	S.CER 0402B102K500CT	B	13.1/43.6	C429	4030022860	S.CER 0402N470J500CT	T	16.4/91.0
Eqv.	4030026210	S.CER MG15B102K500CT			C430	4030021240	S.CER C1005 JB 1C 105K-T	B	22.7/78.8
C302	4030022810	S.CER 0402N330J500CT	T	20.9/42.6	C431	4030023090	S.CER 0402B102K500CT	T	37.2/16.9
C306	4030023670	S.CER 0603N330J500CT	T	16.7/45.0	Eqv.	4030026210	S.CER MG15B102K500CT		
C307	4030022570	S.CER 0402N6R0C500CT	T						

The underlined parts have been updated from the addendum of the previous version, or from the original page.

[MAIN-2 UNIT] (for [#43], [#44], [#46], [#47], [#53], [#56], [#63], [#64], and [#66])

REF NO.	PART NO.	DESCRIPTION	M.	H/V LOCATION	REF NO.	PART NO.	DESCRIPTION	M.	H/V LOCATION
C444	4030023010	S.CER 0402B104K160CT	T	35.4/49.8	C528	4030023010	S.CER 0402B104K160CT	B	39.6/65.4
Eqv.	4030026220	S.CER MG15B104K160CT			Eqv.	4030026220	S.CER MG15B104K160CT		
C445	4030021240	S.CER C1005 JB 1C 105K-T	B	30.2/40.0	C529	4030023010	S.CER 0402B104K160CT	B	44.5/64.6
C446	4030023030	S.CER 0402B103K250CT	B	45.1/79.6	Eqv.	4030026220	S.CER MG15B104K160CT		
Eqv.	4030026200	S.CER MG15B103K250CT			C530	4030021240	S.CER C1005 JB 1C 105K-T	B	41.9/63.1
C451	4030023010	S.CER 0402B104K160CT	B	24.4/81.3	C531	4030023010	S.CER 0402B104K160CT	T	24.7/63.1
Eqv.	4030026220	S.CER MG15B104K160CT			Eqv.	4030026220	S.CER MG15B104K160CT		
C458	4030023010	S.CER 0402B104K160CT	B	29.9/91.1	C532	4030019560	S.CER GRM21BB31C106KE15L	T	30.9/58.5
Eqv.	4030026220	S.CER MG15B104K160CT			C533	4030023010	S.CER 0402B104K160CT	T	25.8/54.4
C459	4030023010	S.CER 0402B104K160CT	B	31.0/80.1	Eqv.	4030026220	S.CER MG15B104K160CT		
Eqv.	4030026220	S.CER MG15B104K160CT			C534	4030023090	S.CER 0402B102K500CT	T	34.2/33.0
C460	4030023010	S.CER 0402B104K160CT	B	40.0/75.8	Eqv.	4030026210	S.CER MG15B102K500CT		
Eqv.	4030026220	S.CER MG15B104K160CT			C535	4030023010	S.CER 0402B104K160CT	T	27.7/33.9
C461	4030023010	S.CER 0402B104K160CT	T	25.3/85.9	Eqv.	4030026220	S.CER MG15B104K160CT		
Eqv.	4030026220	S.CER MG15B104K160CT			C536	4030019560	S.CER GRM21BB31C106KE15L	T	31.6/33.4
C462	4030023010	S.CER 0402B104K160CT	T	38.2/72.1	C537	4030023010	S.CER 0402B104K160CT	T	29.7/33.0
Eqv.	4030026220	S.CER MG15B104K160CT			Eqv.	4030026220	S.CER MG15B104K160CT		
C463	4030023010	S.CER 0402B104K160CT	T	26.2/72.1	C538	4550008850	S.TAN F931C227MNC	T	29.3/24.2
Eqv.	4030026220	S.CER MG15B104K160CT			Eqv.	4550009420	S.TAN T491D227M016AT		
C464	4030023010	S.CER 0402B104K160CT	T	44.5/71.7	C539	4030023090	S.CER 0402B102K500CT	B	41.3/96.4
Eqv.	4030026220	S.CER MG15B104K160CT			Eqv.	4030026210	S.CER MG15B102K500CT		
C466	4030023010	S.CER 0402B104K160CT	T	28.9/72.3	C541	4030021240	S.CER C1005 JB 1C 105K-T	B	34.8/27.6
Eqv.	4030026220	S.CER MG15B104K160CT			C542	4030023010	S.CER 0402B104K160CT	B	34.5/23.2
C467	4030023010	S.CER 0402B104K160CT	T	42.1/71.7	Eqv.	4030026220	S.CER MG15B104K160CT		
Eqv.	4030026220	S.CER MG15B104K160CT			C543	4030023090	S.CER 0402B102K500CT	T	15.9/9.5
C468	4030023010	S.CER 0402B104K160CT	T	26.2/86.8	Eqv.	4030026210	S.CER MG15B102K500CT		
Eqv.	4030026220	S.CER MG15B104K160CT			C544	4030023090	S.CER 0402B102K500CT	T	13.0/6.6
C469	4030023010	S.CER 0402B104K160CT	B	26.7/84.2	Eqv.	4030026210	S.CER MG15B102K500CT		
Eqv.	4030026220	S.CER MG15B104K160CT			C548	4030022930	S.CER 0402N821J500CT	[#44] B	8.0/35.4
C470	4030023010	S.CER 0402B104K160CT	B	26.6/89.5		4030022930	S.CER 0402N821J500CT	[#53]	
Eqv.	4030026220	S.CER MG15B104K160CT				4030022930	S.CER 0402N821J500CT	[#64]	
C471	4030023010	S.CER 0402B104K160CT	B	33.7/90.8	C549	4030020170	S.CER C1608 CH 1H 472J-T	[#43] B	5.6/31.1
Eqv.	4030026220	S.CER MG15B104K160CT				4030020170	S.CER C1608 CH 1H 472J-T	[#44]	
C472	4030023010	S.CER 0402B104K160CT	B	33.1/80.6		4030017810	S.CER C1608 CH 1H 102J-T	[#46]	
Eqv.	4030026220	S.CER MG15B104K160CT				4030017810	S.CER C1608 CH 1H 102J-T	[#47]	
C473	4030022560	S.CER 0402N5R0B500CT	B	41.6/70.4		4030020170	S.CER C1608 CH 1H 472J-T	[#53]	
C474	4030022570	S.CER 0402N6R0C500CT	B	43.9/72.8		4030017810	S.CER C1608 CH 1H 102J-T	[#56]	
C475	4030022880	S.CER 0402N560J500CT	B	41.3/71.7		4030020170	S.CER C1608 CH 1H 472J-T	[#63]	
C476	4030023090	S.CER 0402B102K500CT	B	26.8/80.2		4030020170	S.CER C1608 CH 1H 472J-T	[#64]	
Eqv.	4030026210	S.CER MG15B102K500CT				4030017810	S.CER C1608 CH 1H 102J-T	[#66]	
C477	4030023090	S.CER 0402B102K500CT	B	29.7/94.7	C550	4030022850	S.CER 0402N391J500CT	[#43] B	8.7/33.2
Eqv.	4030026210	S.CER MG15B102K500CT				4030022710	S.CER 0402N181J500CT	[#44]	
C478	4030023030	S.CER 0402B103K250CT	B	22.0/64.9		4030022910	S.CER 0402N681J500CT	[#46]	
Eqv.	4030026200	S.CER MG15B103K250CT				4030022910	S.CER 0402N681J500CT	[#47]	
C479	4030023030	S.CER 0402B103K250CT	B	24.9/62.8		4030022710	S.CER 0402N181J500CT	[#53]	
Eqv.	4030026200	S.CER MG15B103K250CT				4030022910	S.CER 0402N681J500CT	[#56]	
C481	4030019560	S.CER GRM21BB31C106KE15L	B	9.6/109.5		4030022850	S.CER 0402N391J500CT	[#63]	
C484	4030023030	S.CER 0402B103K250CT	B	8.7/52.9		4030022710	S.CER 0402N181J500CT	[#64]	
Eqv.	4030026200	S.CER MG15B103K250CT				4030022910	S.CER 0402N681J500CT	[#66]	
C485	4030023090	S.CER 0402B102K500CT	T	25.7/66.2	C551	4030018620	S.CER C1608 CH 1H 222J-T	B	6.0/28.1
Eqv.	4030026210	S.CER MG15B102K500CT			C552	4030022850	S.CER 0402N391J500CT	[#43] B	9.0/28.0
C486	4030023090	S.CER 0402B102K500CT	T	26.7/66.2		4030022690	S.CER 0402N151J500CT	[#44]	
Eqv.	4030026210	S.CER MG15B102K500CT				4030022820	S.CER 0402N331J500CT	[#46]	
C487	4030023090	S.CER 0402B102K500CT	T	27.7/66.2		4030022820	S.CER 0402N331J500CT	[#47]	
Eqv.	4030026210	S.CER MG15B102K500CT				4030022690	S.CER 0402N151J500CT	[#53]	
C488	4030019560	S.CER GRM21BB31C106KE15L	B	9.5/106.0		4030022820	S.CER 0402N331J500CT	[#56]	
C489	4030020000	S.CER C1005 JB 1A 105K-T	B	24.2/72.3		4030022850	S.CER 0402N391J500CT	[#63]	
C490	4030023010	S.CER 0402B104K160CT	B	35.7/38.9		4030022690	S.CER 0402N151J500CT	[#64]	
Eqv.	4030026220	S.CER MG15B104K160CT				4030022820	S.CER 0402N331J500CT	[#66]	
C491	4030023090	S.CER 0402B102K500CT	B	31.5/57.5	C553	4030019570	S.CER C1608 CH 1H 332J-T	B	5.6/19.4
Eqv.	4030026210	S.CER MG15B102K500CT			C554	4030022750	S.CER 0402N221J500CT	[#43] B	8.0/23.4
C492	4030020450	S.CER C1005 JB OJ 475M-T	T	28.9/70.5		4030022880	S.CER 0402N560J500CT	[#44]	
C493	4030020450	S.CER C1005 JB OJ 475M-T	T	40.3/71.7		4030022670	S.CER 0402N121J500CT	[#46]	
C495	4030021520	S.CER GRM31CB31H106KA12L	T	19.6/82.7		4030022670	S.CER 0402N121J500CT	[#47]	
C496	4030021520	S.CER GRM31CB31H106KA12L	T	21.3/107.7		4030022880	S.CER 0402N560J500CT	[#53]	
C508	4030023090	S.CER 0402B102K500CT	T	14.4/41.4		4030022670	S.CER 0402N121J500CT	[#56]	
Eqv.	4030026210	S.CER MG15B102K500CT				4030022750	S.CER 0402N221J500CT	[#63]	
C509	4030023090	S.CER 0402B102K500CT	T	13.9/38.5		4030022880	S.CER 0402N560J500CT	[#64]	
Eqv.	4030026210	S.CER MG15B102K500CT				4030022670	S.CER 0402N121J500CT	[#66]	
C510	4030023090	S.CER 0402B102K500CT	B	26.4/46.9	C555	4030020160	S.CER C1608 CH 1H 103J-T	[#43] B	5.5/14.7
Eqv.	4030026210	S.CER MG15B102K500CT				4030020160	S.CER C1608 CH 1H 103J-T	[#44]	
C511	4030022640	S.CER 0402N101J500CT	B	29.4/47.7		4030022350	S.CER C1608 CH 1H 822J-T	[#46]	
Eqv.	4030026140	S.CER MG15N101J500CT				4030022350	S.CER C1608 CH 1H 822J-T	[#47]	
C512	4030024500	S.CER C1005 JB 1C 224K-T	B	31.7/41.4		4030020160	S.CER C1608 CH 1H 103J-T	[#53]	
C513	4030019560	S.CER GRM21BB31C106KE15L	B	26.8/39.0		4030022350	S.CER C1608 CH 1H 822J-T	[#56]	
C514	4030023010	S.CER 0402B104K160CT	B	28.4/40.0		4030020160	S.CER C1608 CH 1H 103J-T	[#63]	
Eqv.	4030026220	S.CER MG15B104K160CT				4030020160	S.CER C1608 CH 1H 103J-T	[#64]	
C515	4030023010	S.CER 0402B104K160CT	B	28.4/39.1		4030022350	S.CER C1608 CH 1H 822J-T	[#66]	
Eqv.	4030026220	S.CER MG15B104K160CT			C556	4030022880	S.CER 0402N560J500CT	[#43] B	7.6/18.5
C516	4030019560	S.CER GRM21BB31C106KE15L	B	30.9/49.5		4030022630	S.CER 0402N100C500CT	[#44]	
C517	4030023010	S.CER 0402B104K160CT	B	29.9/38.8		4030022630	S.CER 0402N100C500CT	[#53]	
Eqv.	4030026220	S.CER MG15B104K160CT				4030022880	S.CER 0402N560J500CT	[#63]	
C518	4030023090	S.CER 0402B102K500CT	B	26.3/50.7		4030022630	S.CER 0402N100C500CT	[#64]	
Eqv.	4030026210	S.CER MG15B102K500CT			C557	4030022930	S.CER 0402N821J500CT	B	11.4/35.3
C519	4030023090	S.CER 0402B102K500CT	B	21.5/48.0	C558	4030022930	S.CER 0402N821J500CT	B	13.0/31.7
Eqv.	4030026210	S.CER MG15B102K500CT			C559	4030022690	S.CER 0402N151J500CT	B	10.5/33.2
C520	4030023090	S.CER 0402B102K500CT	B	15.5/42.4	C560	4030020170	S.CER C1608 CH 1H 472J-T	B	13.7/27.4
Eqv.	4030026210	S.CER MG15B102K500CT			C561	4030022870	S.CER 0402N471J500CT	B	11.2/28.3
C521	4030023090	S.CER 0402B102K500CT	B	16.4/47.7	C562	4030020940	S.CER C1608 CH 1H 392JT	B	14.1/22.1
Eqv.	4030026210	S.CER MG15B102K500CT			C563	4030022640	S.CER 0402N101J500CT	B	12.1/23.2
C522	4030023090	S.CER 0402B102K500CT	T	19.5/50.7	Eqv.	4030026140	S.CER MG15N101J500CT		
Eqv.	4030026210	S.CER MG15B102K500CT			C564	4030020160	S.CER C1608 CH 1H 103J-T	B	14.1/19.1
C523	4030023090	S.CER 0402B102K500CT	B	21					

The underlined parts have been updated from the addendum of the previous version, or from the original page.

[MAIN-2 UNIT] (for [#43], [#44], [#46], [#47], [#53], [#56], [#63], [#64], and [#66])

REF NO.	PART NO.	DESCRIPTION	M.	H/V LOCATION	REF NO.	PART NO.	DESCRIPTION	M.	H/V LOCATION
C572	4030019560	S.CER GRM21BB31C106KE15L	T	37.6/34.9	C640	4030023090	S.CER 0402B102K500CT	B	45.6/104.3
C573	4030023090	S.CER 0402B102K500CT	T	9.1/21.3	Eqv.	4030026210	S.CER MG15B102K500CT		
Eqv.	4030026210	S.CER MG15B102K500CT			C641	4030023010	S.CER 0402B104K160CT	T	43.6/46.2
C574	4030022900	S.CER 0402N680J500CT	B	27.5/10.2	Eqv.	4030026220	S.CER MG15B104K160CT		
C577	4030021520	S.CER GRM31CB31H106KA12L	B	21.7/9.3	C642	4030023010	S.CER 0402B104K160CT	T	47.9/39.2
C579	4030021520	S.CER GRM31CB31H106KA12L	B	23.8/9.3	Eqv.	4030026220	S.CER MG15B104K160CT		
C580	4030021520	S.CER GRM31CB31H106KA12L	B	34.9/6.7	C643	4030023010	S.CER 0402B104K160CT	T	41.7/43.5
C585	4030023010	S.CER 0402B104K160CT	B	25.4/9.5	Eqv.	4030026220	S.CER MG15B104K160CT		
Eqv.	4030026220	S.CER MG15B104K160CT			C644	4030023200	S.CER 0402B471K500CT	T	48.0/41.1
C586	4030023030	S.CER 0402B103K250CT	B	26.3/9.5	C645	4030023010	S.CER 0402B104K160CT	T	42.1/50.2
Eqv.	4030026200	S.CER MG15B103K250CT			Eqv.	4030026220	S.CER MG15B104K160CT		
C587	4030022870	S.CER 0402N471J500CT	B	40.4/23.7	C646	4030019560	S.CER GRM21BB31C106KE15L	T	32.8/91.3
C588	4030022860	S.CER 0402N470J500CT	B	41.6/21.9	C647	4030023010	S.CER 0402B104K160CT	T	28.1/89.8
C589	4030021240	S.CER C1005 JB 1C 105K-T	B	39.1/22.5	Eqv.	4030026220	S.CER MG15B104K160CT		
C590	4030023090	S.CER 0402B102K500CT	B	35.2/87.5	C648	4030023090	S.CER 0402B102K500CT	B	12.2/60.3
Eqv.	4030026210	S.CER MG15B102K500CT			Eqv.	4030026210	S.CER MG15B102K500CT		
C591	4030022640	S.CER 0402N101J500CT	B	36.9/88.1	C649	4030023090	S.CER 0402B102K500CT	B	10.2/61.7
Eqv.	4030026140	S.CER MG15N101J500CT			Eqv.	4030026210	S.CER MG15B102K500CT		
C592	4030022640	S.CER 0402N101J500CT	B	40.1/96.7	C650	4030023010	S.CER 0402B104K160CT	T	19.8/15.8
Eqv.	4030026140	S.CER MG15N101J500CT			Eqv.	4030026220	S.CER MG15B104K160CT		
C593	4030023090	S.CER 0402B102K500CT	B	41.5/94.8	C651	4030023010	S.CER 0402B104K160CT	T	13.8/21.2
Eqv.	4030026210	S.CER MG15B102K500CT			Eqv.	4030026220	S.CER MG15B104K160CT		
C596	4030023090	S.CER 0402B102K500CT	T	11.7/10.7	C652	4030023010	S.CER 0402B104K160CT	T	11.7/15.2
Eqv.	4030026210	S.CER MG15B102K500CT			Eqv.	4030026220	S.CER MG15B104K160CT		
C597	4030023010	S.CER 0402B104K160CT	B	26.6/26.3	C653	4030021240	S.CER C1005 JB 1C 105K-T	T	22.0/97.1
Eqv.	4030026220	S.CER MG15B104K160CT			C656	4030023090	S.CER 0402B102K500CT	T	15.6/7.8
C598	4030021240	S.CER C1005 JB 1C 105K-T	B	25.7/26.3	Eqv.	4030026210	S.CER MG15B102K500CT		
C599	4030023090	S.CER 0402B102K500CT	T	23.4/118.8	C660	4030023090	S.CER 0402B102K500CT	B	6.6/67.2
Eqv.	4030026210	S.CER MG15B102K500CT			Eqv.	4030026210	S.CER MG15B102K500CT		
C602	4030023090	S.CER 0402B102K500CT	T	21.2/120.6	C661	4030023010	S.CER 0402B104K160CT	T	40.6/46.4
Eqv.	4030026210	S.CER MG15B102K500CT			Eqv.	4030026220	S.CER MG15B104K160CT		
C605	4030022640	S.CER 0402N101J500CT	T	28.2/123.0	C662	4030023010	S.CER 0402B104K160CT	T	41.2/44.9
Eqv.	4030026140	S.CER MG15N101J500CT			Eqv.	4030026220	S.CER MG15B104K160CT		
C608	4030019560	S.CER GRM21BB31C106KE15L	B	21.2/29.9	C663	4030023010	S.CER 0402B104K160CT	T	33.2/85.4
C610	4030023090	S.CER 0402B102K500CT	T	23.0/97.1	Eqv.	4030026220	S.CER MG15B104K160CT		
Eqv.	4030026210	S.CER MG15B102K500CT			C664	4030023010	S.CER 0402B104K160CT	B	36.5/41.7
C612	4030019560	S.CER GRM21BB31C106KE15L	T	27.8/91.6	Eqv.	4030026220	S.CER MG15B104K160CT		
C613	4030023090	S.CER 0402B102K500CT	T	22.1/100.3	C665	4030023070	S.CER 0402B223K250CT	B	20.7/75.2
Eqv.	4030026210	S.CER MG15B102K500CT			C666	4030023010	S.CER 0402B104K160CT	T	34.3/22.5
C614	4030023010	S.CER 0402B104K160CT	T	25.7/92.4	Eqv.	4030026220	S.CER MG15B104K160CT		
Eqv.	4030026220	S.CER MG15B104K160CT			C667	4030023090	S.CER 0402B102K500CT	B	14.0/15.0
C615	4030023010	S.CER 0402B104K160CT	T	23.9/97.1	Eqv.	4030026210	S.CER MG15B102K500CT		
Eqv.	4030026220	S.CER MG15B104K160CT			C668	4030023090	S.CER 0402B102K500CT	B	12.0/18.7
C616	4030023090	S.CER 0402B102K500CT	T	24.8/92.4	Eqv.	4030026210	S.CER MG15B102K500CT		
Eqv.	4030026210	S.CER MG15B102K500CT			C669	4030023090	S.CER 0402B102K500CT	B	13.9/24.2
C622	4030023060	S.CER 0402B183K250CT	T	46.7/42.3	Eqv.	4030026210	S.CER MG15B102K500CT		
C623	4030023060	S.CER 0402B183K250CT	T	46.7/40.7	C670	4030023090	S.CER 0402B102K500CT	B	13.0/29.4
C624	4030023010	S.CER 0402B104K160CT	T	46.6/38.4	Eqv.	4030026210	S.CER MG15B102K500CT		
Eqv.	4030026220	S.CER MG15B104K160CT			C671	4030022640	S.CER 0402N101J500CT	B	6.0/21.5
C627	4030022970	S.CER 0402B393K100CT	[#43] B	10.8/9.2	Eqv.	4030026140	S.CER MG15N101J500CT		
Eqv.	4030023010	S.CER 0402B104K160CT	[#44] B		C672	4030022640	S.CER 0402N101J500CT	B	6.9/16.1
Eqv.	4030026220	S.CER MG15B104K160CT	[#44] B		Eqv.	4030026140	S.CER MG15N101J500CT		
C627	4030023010	S.CER 0402B104K160CT	[#46] B	10.8/9.2	C673	4030023090	S.CER 0402B102K500CT	T	42.4/45.6
Eqv.	4030026220	S.CER MG15B104K160CT	[#46] B		Eqv.	4030026210	S.CER MG15B102K500CT		
C627	4030023010	S.CER 0402B104K160CT	[#47] B	10.8/9.2	C674	4030023090	S.CER 0402B102K500CT	T	16.1/22.4
Eqv.	4030026220	S.CER MG15B104K160CT	[#47] B		Eqv.	4030026210	S.CER MG15B102K500CT		
C627	4030023010	S.CER 0402B104K160CT	[#53] B	10.8/9.2	C675	4030023090	S.CER 0402B102K500CT	T	6.5/15.7
Eqv.	4030026220	S.CER MG15B104K160CT	[#53] B		Eqv.	4030026210	S.CER MG15B102K500CT		
C627	4030023010	S.CER 0402B104K160CT	[#56] B	10.8/9.2	C676	4030023090	S.CER 0402B102K500CT	T	19.3/79.5
Eqv.	4030026220	S.CER MG15B104K160CT	[#56] B		Eqv.	4030026210	S.CER MG15B102K500CT		
C627	4030022970	S.CER 0402B393K100CT	[#63] B	10.8/9.2	C677	4030019560	S.CER GRM21BB31C106KE15L	[#43] B	24.5/68.6
Eqv.	4030023010	S.CER 0402B104K160CT	[#64] B		Eqv.	4030019560	S.CER GRM21BB31C106KE15L	[#44] B	
Eqv.	4030026220	S.CER MG15B104K160CT	[#64] B		Eqv.	4030019560	S.CER GRM21BB31C106KE15L	[#46] B	
C627	4030023010	S.CER 0402B104K160CT	[#66] B	10.8/9.2	Eqv.	4030019560	S.CER GRM21BB31C106KE15L	[#47] B	
Eqv.	4030026220	S.CER MG15B104K160CT	[#66] B		C680	4030023010	S.CER 0402B104K160CT	[#43] T	32.7/86.6
C628	4030023010	S.CER 0402B104K160CT	B	13.9/5.3	Eqv.	4030026220	S.CER MG15B104K160CT	[#43] T	
Eqv.	4030026220	S.CER MG15B104K160CT			C680	4030023010	S.CER 0402B104K160CT	[#44] T	32.7/86.6
C629	4050000340	S.FEE NFM21PC224R1C3D	B	32.9/6.7	Eqv.	4030026220	S.CER MG15B104K160CT	[#44] T	
C631	4030026760	S.CER RF15N8R0C500CT	[#43] B	10.2/18.3	C680	4030023010	S.CER 0402B104K160CT	[#46] T	32.7/86.6
Eqv.	4030026760	S.CER RF15N8R0C500CT	[#44] B		Eqv.	4030026220	S.CER MG15B104K160CT	[#46] T	
Eqv.	4030022560	S.CER 0402N5R0B500CT	[#46] B		C680	4030023010	S.CER 0402B104K160CT	[#47] T	32.7/86.6
Eqv.	4030022560	S.CER 0402N5R0B500CT	[#47] B		Eqv.	4030026220	S.CER MG15B104K160CT	[#47] T	
Eqv.	4030026760	S.CER RF15N8R0C500CT	[#53] B		C681	4030023010	S.CER 0402B104K160CT	[#43] T	35.2/81.9
Eqv.	4030022560	S.CER 0402N5R0B500CT	[#53] B		Eqv.	4030026220	S.CER MG15B104K160CT	[#43] T	
Eqv.	4030026760	S.CER RF15N8R0C500CT	[#63] B		C681	4030023010	S.CER 0402B104K160CT	[#44] T	35.2/81.9
Eqv.	4030026760	S.CER RF15N8R0C500CT	[#64] B		Eqv.	4030026220	S.CER MG15B104K160CT	[#44] T	
Eqv.	4030022560	S.CER 0402N5R0B500CT	[#66] B		C681	4030023010	S.CER 0402B104K160CT	[#46] T	35.2/81.9
C632	4030026720	S.CER RF15N3R0B500CT	[#43] B	7.6/17.6	Eqv.	4030026220	S.CER MG15B104K160CT	[#46] T	
Eqv.	4030022720	S.CER 0402N1R5B500CT	[#44] B		C681	4030023010	S.CER 0402B104K160CT	[#47] T	35.2/81.9
Eqv.	4030022810	S.CER 0402N330J500CT	[#46] B		Eqv.	4030026220	S.CER MG15B104K160CT	[#47] T	
Eqv.	4030022810	S.CER 0402N330J500CT	[#47] B		C682	4030023010	S.CER 0402B104K160CT	T	30.1/71.4
Eqv.	4030022720	S.CER 0402N1R5B500CT	[#53] B		Eqv.	4030026220	S.CER MG15B104K160CT		
Eqv.	4030022810	S.CER 0402N330J500CT	[#56] B		C683	4030023090	S.CER 0402B102K500CT	B	43.1/94.4
Eqv.	4030026720	S.CER RF15N3R0B500CT	[#63] B		Eqv.	4030026210	S.CER MG15B102K500CT		
Eqv.	4030022720	S.CER 0402N1R5B500CT	[#64] B		C684	4030023090	S.CER 0402B102K500CT	B	38.9/95.7
Eqv.	4030022810	S.CER 0402N330J500CT	[#66] B		Eqv.	4030026210	S.CER MG15B102K500CT		
C633	4030023010	S.CER 0402B104K160CT	B	11.1/18.7	C694	4030023090	S.CER 0402B102K500CT	T	36.7/58.4
Eqv.	4030026220	S.CER MG15B104K160CT			Eqv.	4030026210	S.CER MG15B102K500CT		
C634	4030023010	S.CER 0402B104K160CT	B	13.0/24.2	C704	4030023090	S.CER 0402B102K500CT	T	40.1/58.6
Eqv.	4030026220	S.CER MG15B104K160CT			Eqv.	4030026210	S.CER MG15B102K500CT		
C635	4030023010	S.CER 0402B104K160CT	B	12.1/28.8	C706	4030023090			

The underlined parts have been updated from the addendum of the previous version, or from the original page.

[MAIN-2 UNIT] (for [#43], [#44], [#46], [#47], [#53], [#56], [#63], [#64], and [#66])

REF NO.	PART NO.	DESCRIPTION	M.	H/V LOCATION
J2	6450000131	CON HSJ1102-018540		
J4	6510021901	S.CON BM02B-ASRS-TF (LF) (SN)	T	13.0/4.0
J5	6450002930	CON HTJ-035-21ABP		
J6	6510031230	S.CON 50P4.5-JMCS-G-TF (N) (1)	T	35.7/54.3
MC1	7700003060	MIC F6027AP-SBC-462		
S1	2260003640	SWI SKHLLCA010		
EP3	6910014640	S.BEA MPZ2012S221A-T	T	39.3/14.4
EP4	6910014640	S.BEA MPZ2012S221A-T	T	19.5/121.0
EP5	6910014730	S.BEA MPZ2012S331A-T	T	37.0/102.8
EP6	6910014730	S.BEA MPZ2012S331A-T	B	40.2/110.9
EP7	6910014730	S.BEA MPZ2012S331A-T	B	41.8/106.3
EP10	6910014730	S.BEA MPZ2012S331A-T	T	13.9/8.6
EP11	6910014730	S.BEA MPZ2012S331A-T	B	39.7/103.7
EP13	6910020610	S.BEA BLM15BD102SN1D	T	15.7/47.5
EP14	6910020610	S.BEA BLM15BD102SN1D	T	12.5/47.6
EP15	6910014640	S.BEA MPZ2012S221A-T	T	39.7/18.7
EP16	6910014640	S.BEA MPZ2012S221A-T	T	18.5/89.0
EP18	6910020610	S.BEA BLM15BD102SN1D	T	27.7/56.8
EP21	6910020610	S.BEA BLM15BD102SN1D	T	30.0/34.3
EP23	6910014730	S.BEA MPZ2012S331A-T	T	12.2/8.6
EP24	6910014730	S.BEA MPZ2012S331A-T	B	42.4/92.3
EP25	6910020610	S.BEA BLM15BD102SN1D	B	36.5/87.2
EP26	6910020610	S.BEA BLM15BD102SN1D	B	40.1/95.7
EP28	6910020610	S.BEA BLM15BD102SN1D	T	26.9/110.8
EP29	6910014640	S.BEA MPZ2012S221A-T	T	30.3/110.0
EP30	6910014640	S.BEA MPZ2012S221A-T	B	34.9/10.9
EP31	6910020610	S.BEA BLM15BD102SN1D	T	19.5/111.2

Eqv.= This component is equivalent to the REF No. component listed above, and may be substituted on parts orders and repairs.

M.=Mounted side (T: Mounted on the Top side, B: Mounted on the Bottom side)
H/V LOCATION= Shows mounting location on the PCB.

SECTION 6 MECHANICAL PARTS

The underlined parts have been updated from the addendum of the previous version, or from the original page.

[CHASSIS UNIT]

REF NO.	PART NO.	DESCRIPTION	QTY.
J1	6510027690	BNC-R170 (A)	1
SP1	2510002150	C36N07M-7	1
W1	8900009640	OPC-963	1
EP1	3310005090	GNBA-A13A	[#11] 1
	3310005090	GNBA-A13A	[#13] 1
	3310005090	GNBA-A13A	[#14] 1
	3310005090	GNBA-A13A	[#16] 1
	3310005090	GNBA-A13A	[#17] 1
	3310005090	GNBA-A13A	[#43] 1
	3310005090	GNBA-A13A	[#44] 1
	3310005090	GNBA-A13A	[#46] 1
	3310005090	GNBA-A13A	[#47] 1
EP2	8940000081	3699 KEY P.C.B.-1	[#11] 1
	8940000082	3699 KEY P.C.B.-2	[#13] 1
	8940000082	3699 KEY P.C.B.-2	[#14] 1
	8940000082	3699 KEY P.C.B.-2	[#16] 1
	8940000082	3699 KEY P.C.B.-2	[#17] 1
	8940000081	3699 KEY P.C.B.-1	[#21] 1
	8940000082	3699 KEY P.C.B.-2	[#23] 1
	8940000082	3699 KEY P.C.B.-2	[#24] 1
	8940000082	3699 KEY P.C.B.-2	[#26] 1
	8940000082	3699 KEY P.C.B.-2	[#27] 1
	8940000081	3699 KEY P.C.B.-1	[#31] 1
	8940000082	3699 KEY P.C.B.-2	[#33] 1
	8940000082	3699 KEY P.C.B.-2	[#34] 1
	8940000082	3699 KEY P.C.B.-2	[#36] 1
	8940000082	3699 KEY P.C.B.-2	[#43] 1
	8940000082	3699 KEY P.C.B.-2	[#44] 1
	8940000082	3699 KEY P.C.B.-2	[#46] 1
	8940000082	3699 KEY P.C.B.-2	[#47] 1
	8940000082	3699 KEY P.C.B.-2	[#53] 1
	8940000082	3699 KEY P.C.B.-2	[#56] 1
	8940000082	3699 KEY P.C.B.-2	[#63] 1
	8940000082	3699 KEY P.C.B.-2	[#64] 1
	8940000082	3699 KEY P.C.B.-2	[#66] 1
MP1	8010024120	3699 CHASSIS	1
MP2	8210032970	3699 FRONT PANEL ASSEMBLY	[#11] 1
	8210032970	3699 FRONT PANEL ASSEMBLY	[#13] 1
	8210032970	3699 FRONT PANEL ASSEMBLY	[#14] 1
	8210032970	3699 FRONT PANEL ASSEMBLY	[#16] 1
	8210032970	3699 FRONT PANEL ASSEMBLY	[#17] 1
	8210032960	3699 FRONT PANEL (A) ASSEMBLY	[#21] 1
	8210032960	3699 FRONT PANEL (A) ASSEMBLY	[#23] 1
	8210032960	3699 FRONT PANEL (A) ASSEMBLY	[#24] 1
	8210032960	3699 FRONT PANEL (A) ASSEMBLY	[#26] 1
	8210032960	3699 FRONT PANEL (A) ASSEMBLY	[#27] 1
	8210032960	3699 FRONT PANEL (A) ASSEMBLY	[#31] 1
	8210032960	3699 FRONT PANEL (A) ASSEMBLY	[#33] 1
	8210032960	3699 FRONT PANEL (A) ASSEMBLY	[#34] 1
	8210032960	3699 FRONT PANEL (A) ASSEMBLY	[#36] 1
	8210032970	3699 FRONT PANEL ASSEMBLY	[#43] 1
	8210032970	3699 FRONT PANEL ASSEMBLY	[#44] 1
	8210032970	3699 FRONT PANEL ASSEMBLY	[#46] 1
	8210032970	3699 FRONT PANEL ASSEMBLY	[#47] 1
	8210032960	3699 FRONT PANEL (A) ASSEMBLY	[#53] 1
	8210032960	3699 FRONT PANEL (A) ASSEMBLY	[#56] 1
	8210032960	3699 FRONT PANEL (A) ASSEMBLY	[#63] 1
	8210032960	3699 FRONT PANEL (A) ASSEMBLY	[#64] 1
	8210032960	3699 FRONT PANEL (A) ASSEMBLY	[#66] 1
MP5	8310091150	3699 WINDOW PLATE	1
MP6	8610016330	KNOB N-449	1
MP7	8610016340	KNOB N-450	1
MP10	8930096800	3699 JACK CAP (KOB)	1
MP11	8930096810	3699 DC CAP	1
MP12	8930096820	3699 MAIN SEAL (SHJ)	1
MP13	8930096830	3699 MIC RUBBER (TOP)	1
MP14	8930096840	3699 CONTACT RUBBER (TOP)	1
MP15	8930098760	INSULATION SHEET (OP)	[#11] 1
	8930098760	INSULATION SHEET (OP)	[#13] 1
	8930098760	INSULATION SHEET (OP)	[#14] 1
	8930098760	INSULATION SHEET (OP)	[#16] 1
	8930098760	INSULATION SHEET (OP)	[#17] 1
	8930098760	INSULATION SHEET (OP)	[#43] 1
	8930098760	INSULATION SHEET (OP)	[#44] 1
	8930098760	INSULATION SHEET (OP)	[#46] 1
	8930098760	INSULATION SHEET (OP)	[#47] 1
MP16	8930096850	3699 WINDOW SHEET	1

[CHASSIS UNIT]

REF NO.	PART NO.	DESCRIPTION	QTY.
MP18	8930083690	3322 GPS SPONGE	[#11] 1
	8930083690	3322 GPS SPONGE	[#13] 1
	8930083690	3322 GPS SPONGE	[#14] 1
	8930083690	3322 GPS SPONGE	[#16] 1
	8930083690	3322 GPS SPONGE	[#17] 1
	8930083690	3322 GPS SPONGE	[#43] 1
	8930083690	3322 GPS SPONGE	[#44] 1
	8930083690	3322 GPS SPONGE	[#46] 1
	8930083690	3322 GPS SPONGE	[#47] 1
MP20	8830004260	3776 ANT NUT	1
MP21	8830003900	VR NUT (AF)	1
MP23	8930074350	O-RING (BW) (KSK)	1
MP24	8930088050	O-RING (CS) (TOT)	1
MP25	8930090100	O-RING (CX) (TOT)	1
MP26	8850003421	SEALING WASHER (AA)-1 (TOT)	1
MP28	8930098360	3699 VOL RUBBER (TOP)	1
MP28	8930084870	3384 REAR SHEET	1
MP29	8930088670	3521 VENT SHEET	1
MP30	8930068980	2905 VENT SHEET	1
MP32	8930083700	DOUBLE SIDE TAPE (BM)	[#11] 1
	8930083700	DOUBLE SIDE TAPE (BM)	[#13] 1
	8930083700	DOUBLE SIDE TAPE (BM)	[#14] 1
	8930083700	DOUBLE SIDE TAPE (BM)	[#16] 1
	8930083700	DOUBLE SIDE TAPE (BM)	[#17] 1
	8930083700	DOUBLE SIDE TAPE (BM)	[#43] 1
	8930083700	DOUBLE SIDE TAPE (BM)	[#44] 1
	8930083700	DOUBLE SIDE TAPE (BM)	[#46] 1
	8930083700	DOUBLE SIDE TAPE (BM)	[#47] 1
MP34	8810011050	BT O M2 x 3 NI-ZC3	11
MP35	8810009181	BT M2 x 5 NI-ZC3	2
MP36	8810009511	PHBT M2 x 4 NI-ZC3 (3.6-4.0)	1
MP37	8810008971	BT M2 x 3.5 NI-ZC3	6
MP38	8810010850	PHBT B0 M2 x 8 SUS SSBC	2
MP39	8810011830	TAPPING SCREW TRUS B0 2 x 4 SUS SSBC	1
MP40	8850003250	PLAIN WASHER (AU)	1
MP41	8950009290	3766 T-KEY (B) (YTP)	[#11] 1
	8950009300	3766 T-KEY (C) (YTP)	[#13] 1
	8950009300	3766 T-KEY (C) (YTP)	[#14] 1
	8950009290	3766 T-KEY (B) (YTP)	[#16] 1
	8950009290	3766 T-KEY (B) (YTP)	[#17] 1
	8950009310	3766 T-KEY (D) (YTP)	[#21] 1
	8950009320	3766 T-KEY (E) (YTP)	[#23] 1
	8950009320	3766 T-KEY (E) (YTP)	[#24] 1
	8950009310	3766 T-KEY (D) (YTP)	[#26] 1
	8950009310	3766 T-KEY (D) (YTP)	[#27] 1
	8950009310	3766 T-KEY (D) (YTP)	[#31] 1
	8950009320	3766 T-KEY (E) (YTP)	[#33] 1
	8950009320	3766 T-KEY (E) (YTP)	[#34] 1
	8950009310	3766 T-KEY (D) (YTP)	[#36] 1
	8950009300	3766 T-KEY (C) (YTP)	[#43] 1
	8950009300	3766 T-KEY (C) (YTP)	[#44] 1
	8950009290	3766 T-KEY (B) (YTP)	[#46] 1
	8950009290	3766 T-KEY (B) (YTP)	[#47] 1
	8950009320	3766 T-KEY (E) (YTP)	[#53] 1
	8950009310	3766 T-KEY (D) (YTP)	[#56] 1
	8950009320	3766 T-KEY (E) (YTP)	[#63] 1
	8950009320	3766 T-KEY (E) (YTP)	[#64] 1
	8950009310	3766 T-KEY (D) (YTP)	[#66] 1
MP42	8930097220	3699 SP HOLDER	1
MP43	8930097830	3699 SPONGE	2
MP44	8930098420	SPONGE (PK)	2
MP45	8930098420	SPONGE (PK)	1
MP46	8930098430	SPONGE (PL)	3
MP47	8930098410	SPONGE (PJ)	1
MP49	8930098420	SPONGE (PK)	2

*: Refer to "BOARD LAYOUTS" for the location.

** : Refer to "GENERAL WIRING" for the connection

Screw abbreviations A, B0, BT: Self-tapping PH: Pan head BS: Brass NI: Nickel ZU: Zinc SUS: Stainless

The underlined parts have been updated from the addendum of the previous version, or from the original page.

[LOGIC UNIT] (for [#11], [#21], and [#31])

REF NO.	PART NO.	DESCRIPTION	QTY.
J1*	6510030220	50RF-JMCS-G-1B-TF (N) (LF) (SN)	1
J2*	6510031390	15FXVL-RSM1-GAN-TF-1 (HF)	1
J3*	6510023480	AYU1-1P-02676-120-TF	1
J4*	6510031380	31FXVL-RSM1-GAN-TF-1 (HF)	1
DS5	5030004360	TM128160D1CIWUGND	1
S23*	2260003320	SKRTLAE010	1
S24*	2260003320	SKRTLAE010	1
S25*	2260003320	SKRTLAE010	1
MP1*	8510022120	3699 VCO CASE	1
MP2	8930096860	3699 WHITE SHEET	1
MP3	8930096870	3699 LCD FILTER	1
MP4	8930094680	DOUBLE SIDE TAPE (CC)	2
MP5	8210032890	3699 REFLECTOR	1
MP6	8510022280	3699 CPU SHIELD	1
MP7	8930097820	3699 LCD HOLDER	1
MP8	8930083700	DOUBLE SIDE TAPE (BM)	1

[MAIN UNIT] (for [#11], [#21], and [#31])

REF NO.	PART NO.	DESCRIPTION	QTY.
J1	6450000870	HEC2711-01-020	1
J2	6450000131	HSJ1102-018540	1
J4*	6510021901	BM02B-ASRS-TF (LF) (SN)	1
J5	6450001060	HSJ1493-01-010	1
J6*	6510031230	50P4.5-JMCS-G-TF (N) (1)	1
MC1	7700003060	F6027AP-SBC-462	1
S1	2260003640	SKHLLCA010	1
MP1*	8410003040	3699 PA HEATSINK	1
MP3*	8510022120	3699 VCO CASE	1
MP5	8950009230	3699 CONTACT SPRING	1
MP10	8930097700	3699 JACK SHEET	1
MP11	8510022270	3699 ANT SHIELD	1
MP12	8510022260	3699 PA CASE	1
MP20	8930070581	SHIELD SPONGE (BA)-1	1
MP21	8930085101	SHIELD SPONGE (CW)-1	1
MP22	8930085111	SHIELD SPONGE (CX)-1	1
MP23	8930058510	INSULATION SHEET HC	1
MP24	8930084910	THERMAL SHEET (CB)	2

[LOGIC-1 UNIT] (except for [#11], [#21], and [#31])

REF NO.	PART NO.	DESCRIPTION	QTY.
J1*	6510030220	50RF-JMCS-G-1B-TF (N) (LF) (SN)	1
J2*	6510031390	15FXVL-RSM1-GAN-TF-1 (HF)	1
J3*	6510023480	AYU1-1P-02676-120-TF	1
		[#13]	1
		[#14]	1
		[#16]	1
		[#17]	1
		[#43]	1
		[#44]	1
		[#46]	1
		[#47]	1
J4*	6510031380	31FXVL-RSM1-GAN-TF-1 (HF)	1
DS5	5030004360	TM128160D1CIWUGND	1
S23*	2260003320	SKRTLAE010	1
S24*	2260003320	SKRTLAE010	1
S25*	2260003320	SKRTLAE010	1
MP1*	8510022120	3699 VCO CASE	1
		[#13]	1
		[#14]	1
		[#16]	1
		[#17]	1
		[#43]	1
		[#44]	1
		[#46]	1
		[#47]	1
MP2	8930096860	3699 WHITE SHEET	1
MP3	8930096870	3699 LCD FILTER	1
MP4	8930094680	DOUBLE SIDE TAPE (CC)	2
MP5	8210032890	3699 REFLECTOR	1
MP6	8510022280	3699 CPU SHIELD	1
MP7	8930097820	3699 LCD HOLDER	1
MP8	8930083700	DOUBLE SIDE TAPE (BM)	1

[MAIN-1 UNIT] (for [#13], [#14], [#16], [#17], [#23], [#24], [#26], [#27], [#33], [#34], and [#36])

REF NO.	PART NO.	DESCRIPTION	QTY.
J1	6450000870	HEC2711-01-020	1
J2	6450000131	HSJ1102-018540	1
J4*	6510021901	BM02B-ASRS-TF (LF) (SN)	1
J5	6450001060	HSJ1493-01-010	1
J6*	6510031230	50P4.5-JMCS-G-TF (N) (1)	1
MC1	7700003060	F6027AP-SBC-462	1
S1	2260003640	SKHLLCA010	1
MP1*	8410003040	3699 PA HEATSINK	1
MP3*	8510022120	3699 VCO CASE	1
MP5	8950009230	3699 CONTACT SPRING	1
MP10	8930097700	3699 JACK SHEET	1
MP11	8510022270	3699 ANT SHIELD	1
MP12	8510022260	3699 PA CASE	1
MP20	8930070581	SHIELD SPONGE (BA)-1	1
MP21	8930072061	SHIELD SPONGE (BU)-1	1
MP22	8930085111	SHIELD SPONGE (CX)-1	1
MP23	8930058510	INSULATION SHEET HC	1

[MAIN-2 UNIT] (for [#43], [#44], [#46], [#47], [#53], [#56], [#63], [#64], and [#66])

REF NO.	PART NO.	DESCRIPTION	QTY.
J1	6450000870	HEC2711-01-020	1
J2	6450000131	HSJ1102-018540	1
J4*	6510021901	BM02B-ASRS-TF (LF) (SN)	1
J5	6450002930	HTJ-035-21ABP	1
J6*	6510031230	50P4.5-JMCS-G-TF (N) (1)	1
MC1	7700003060	F6027AP-SBC-462	1
S1	2260003640	SKHLLCA010	1
MP1*	8410003040	3699 PA HEATSINK	1
MP3*	8510022120	3699 VCO CASE	1
MP5	8950009230	3699 CONTACT SPRING	1
MP10	8930097700	3699 JACK SHEET	1
MP11	8510022270	3699 ANT SHIELD	1
MP12	8510022260	3699 PA CASE	1
MP20	8930070581	SHIELD SPONGE (BA)-1	1
MP21	8930072061	SHIELD SPONGE (BU)-1	1
MP22	8930085111	SHIELD SPONGE (CX)-1	1
MP23	8930058510	INSULATION SHEET HC	1

*: Refer to "BOARD LAYOUTS" for the location.

** : Refer to "GENERAL WIRING" for the connection

Screw abbreviations A, B0, BT: Self-tapping PH: Pan head BS: Brass NI: Nickel ZU: Zinc SUS: Stainless

The underlined parts have been updated from the addendum of the previous version, or from the original page.

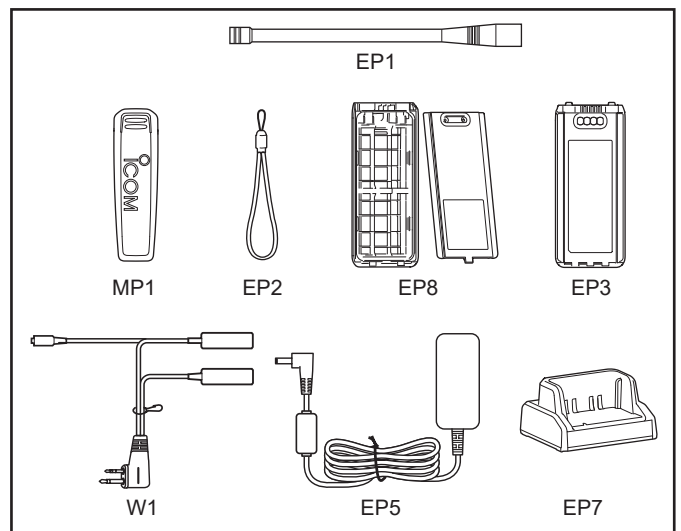
[SUPPLIED ACCESSORIES]

REF NO.	PART NO.	DESCRIPTION	QTY.
W1	-	OPC-2379†	[#11] 1
	-	OPC-2379†	[#13] 1
	-	OPC-2379†	[#14] 1
	-	OPC-2379†	[#16] 1
	-	OPC-2379†	[#21] 1
	-	OPC-2379†	[#23] 1
	-	OPC-2379†	[#24] 1
	-	OPC-2379†	[#26] 1
	-	OPC-2379†	[#31] 1
	-	OPC-2379†	[#36] 1
	-	OPC-2379†	[#43] 1
	-	OPC-2379†	[#44] 1
	-	OPC-2379†	[#46] 1
	-	OPC-2379†	[#53] 1
-	OPC-2379†	[#56] 1	
-	OPC-2379†	[#66] 1	
EP1	3310002130	FA-B02AR (125)	1
EP2	6910028080	BLACK NYLON STRAP	[#11] 1
	6910028081	BLACK NYLON STRAP-1	[#13] 1
	6910028081	BLACK NYLON STRAP-1	[#14] 1
	6910028081	BLACK NYLON STRAP-1	[#16] 1
	6910028081	BLACK NYLON STRAP-1	[#17] 1
	6910028080	BLACK NYLON STRAP	[#21] 1
	6910028081	BLACK NYLON STRAP-1	[#23] 1
	6910028081	BLACK NYLON STRAP-1	[#24] 1
	6910028081	BLACK NYLON STRAP-1	[#26] 1
	6910028081	BLACK NYLON STRAP-1	[#27] 1
	6910028080	BLACK NYLON STRAP	[#31] 1
	6910028081	BLACK NYLON STRAP-1	[#33] 1
	6910028081	BLACK NYLON STRAP-1	[#34] 1
	6910028081	BLACK NYLON STRAP-1	[#36] 1
6910028081	BLACK NYLON STRAP-1	[#43] 1	
6910028081	BLACK NYLON STRAP-1	[#44] 1	
6910028081	BLACK NYLON STRAP-1	[#46] 1	
6910028081	BLACK NYLON STRAP-1	[#47] 1	
6910028081	BLACK NYLON STRAP-1	[#53] 1	
6910028081	BLACK NYLON STRAP-1	[#56] 1	
6910028081	BLACK NYLON STRAP-1	[#63] 1	
6910028081	BLACK NYLON STRAP-1	[#64] 1	
6910028081	BLACK NYLON STRAP-1	[#66] 1	
EP3	-	BP-288†	[#11] 1
	-	BP-288†	[#13] 1
	-	BP-288†	[#14] 1
	-	BP-288†	[#16] 1
	-	BP-288†	[#17] 1
	-	BP-288†	[#21] 1
	-	BP-288†	[#23] 1
	-	BP-288†	[#24] 1
	-	BP-288†	[#26] 1
	-	BP-288†	[#27] 1
	-	BP-288†	[#33] 1
	-	BP-288†	[#34] 1
	-	BP-288†	[#43] 1
	-	BP-288†	[#44] 1
EP5	-	BC-123SA†	[#11] 1
	-	BC-123SE†	[#13] 1
	-	BC-123SV†	[#14] 1
	-	BC-123SA†	[#16] 1
	-	BC-123SE†	[#17] 1
	-	BC-123SA†	[#21] 1
	-	BC-123SE†	[#23] 1
	-	BC-123SV†	[#24] 1
	-	BC-123SA†	[#26] 1
	-	BC-123SE†	[#27] 1
	-	BC-123SE†	[#33] 1
	-	BC-123SV†	[#34] 1
	-	BC-123SE†	[#43] 1
	-	BC-123SV†	[#44] 1
-	BC-123SA†	[#46] 1	
-	BC-123SE†	[#47] 1	
-	BC-123SE†	[#53] 1	
-	BC-123SA†	[#56] 1	
-	BC-123SE†	[#63] 1	
-	BC-123SV†	[#64] 1	

[SUPPLIED ACCESSORIES]

REF NO.	PART NO.	DESCRIPTION	QTY.
EP7	-	BC-224†	[#11] 1
	-	BC-224†	[#13] 1
	-	BC-224†	[#14] 1
	-	BC-224†	[#16] 1
	-	BC-224†	[#17] 1
	-	BC-224†	[#21] 1
	-	BC-224†	[#23] 1
	-	BC-224†	[#24] 1
	-	BC-224†	[#26] 1
	-	BC-224†	[#27] 1
	-	BC-224†	[#33] 1
	-	BC-224†	[#34] 1
	-	BC-224†	[#43] 1
	-	BC-224†	[#44] 1
-	BC-224†	[#46] 1	
-	BC-224†	[#47] 1	
-	BC-224†	[#53] 1	
-	BC-224†	[#56] 1	
-	BC-224†	[#63] 1	
-	BC-224†	[#64] 1	
EP8	-	BP-289†	[#11] 1
	-	BP-289†	[#13] 1
	-	BP-289†	[#14] 1
	-	BP-289†	[#16] 1
	-	BP-289†	[#21] 1
	-	BP-289†	[#23] 1
	-	BP-289†	[#24] 1
	-	BP-289†	[#26] 1
	-	BP-289†	[#31] 1
	-	BP-289†	[#36] 1
	-	BP-289†	[#43] 1
	-	BP-289†	[#44] 1
	-	BP-289†	[#46] 1
	-	BP-289†	[#53] 1
-	BP-289†	[#56] 1	
-	BP-289†	[#66] 1	
MP1	-	MB-133†	[#11] 1
	-	MB-133†	[#13] 1
	-	MB-133†	[#14] 1
	-	MB-133†	[#16] 1
	-	MB-133†	[#17] 1
	-	MB-133†	[#21] 1
	-	MB-133†	[#23] 1
	-	MB-133†	[#24] 1
	-	MB-133†	[#26] 1
	-	MB-133†	[#27] 1
	-	MB-133†	[#31] 1
	-	MB-133†	[#33] 1
	-	MB-133†	[#34] 1
	-	MB-133†	[#36] 1
-	MB-133†	[#43] 1	
-	MB-133†	[#44] 1	
-	MB-133†	[#46] 1	
-	MB-133†	[#53] 1	
-	MB-133†	[#56] 1	
-	MB-133†	[#63] 1	
-	MB-133†	[#64] 1	
-	MB-133†	[#66] 1	

†Sold as an option.



*: Refer to "BOARD LAYOUTS" for the location.

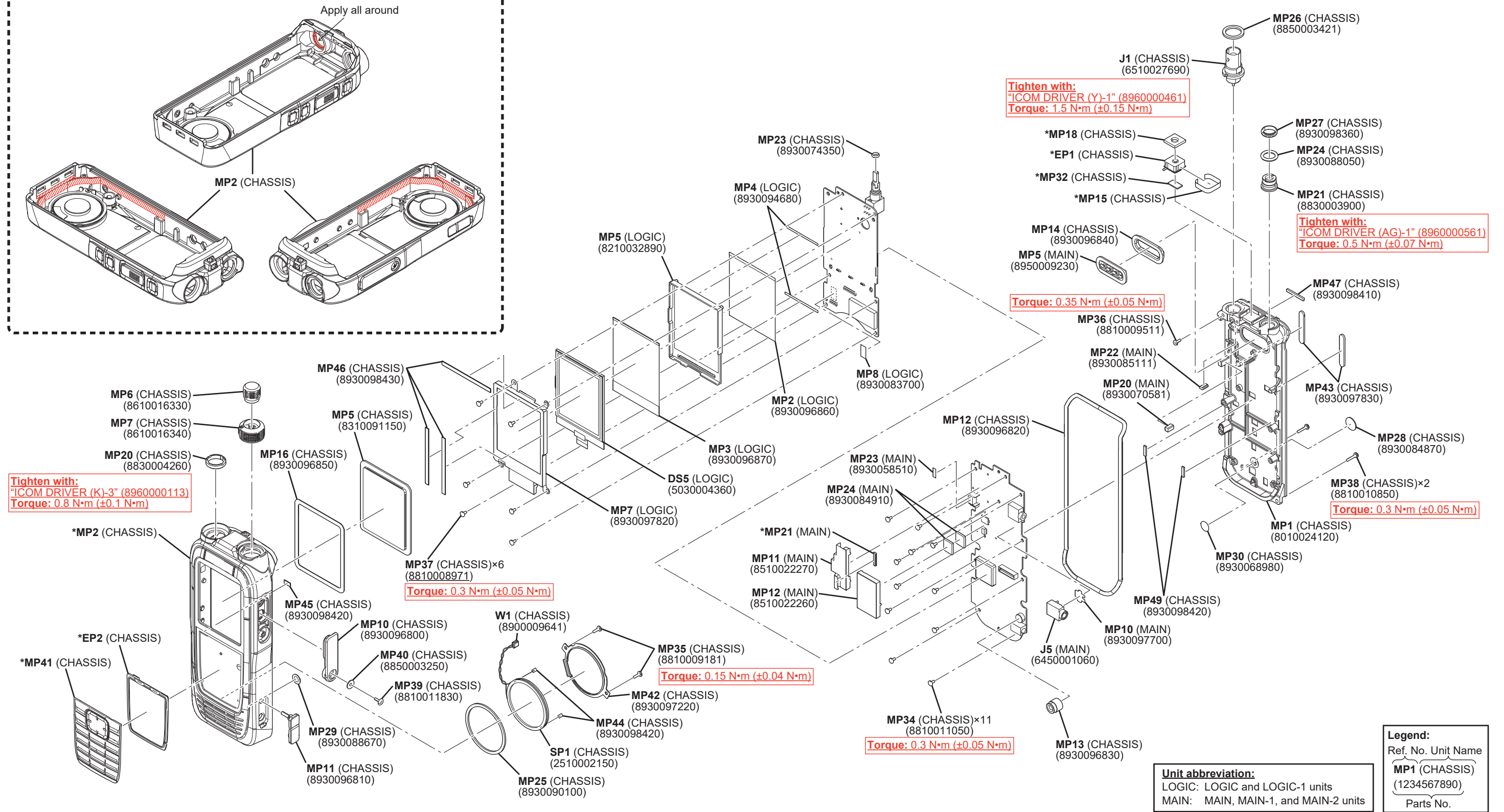
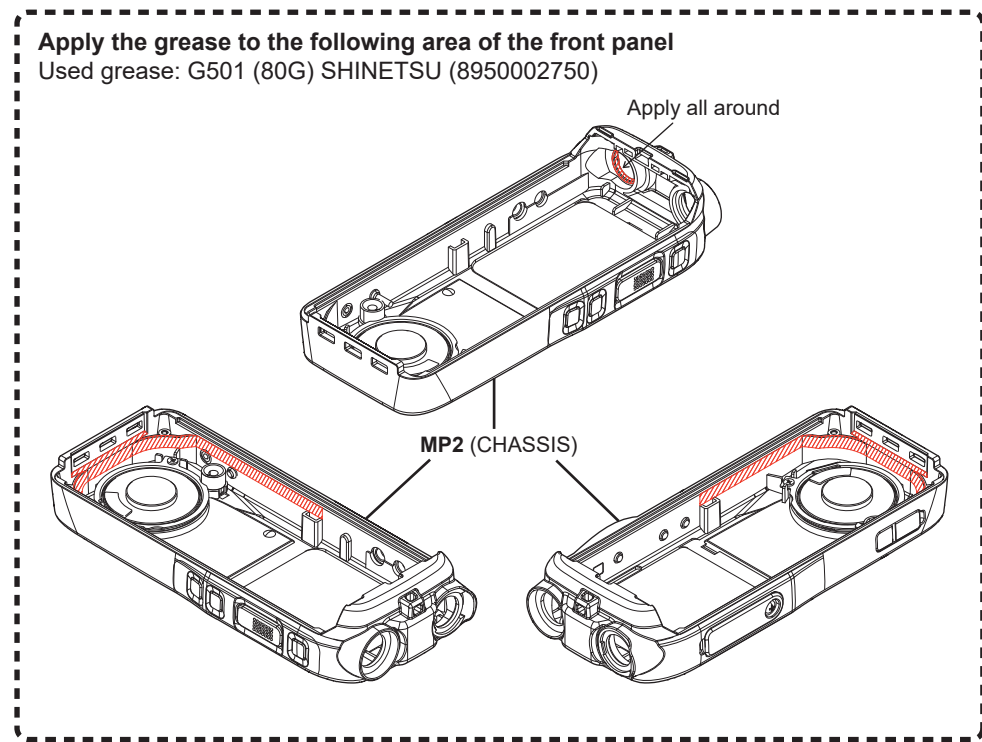
** : Refer to "GENERAL WIRING" for the connection

Screw abbreviations A, B0, BT: Self-tapping PH: Pan head BS: Brass NI: Nickel ZU: Zinc SUS: Stainless

The underlined parts have been updated from the addendum of the previous version, or from the original page.

Apply the grease to the following area of the front panel

Used grease: G501 (80G) SHINETSU (8950002750)

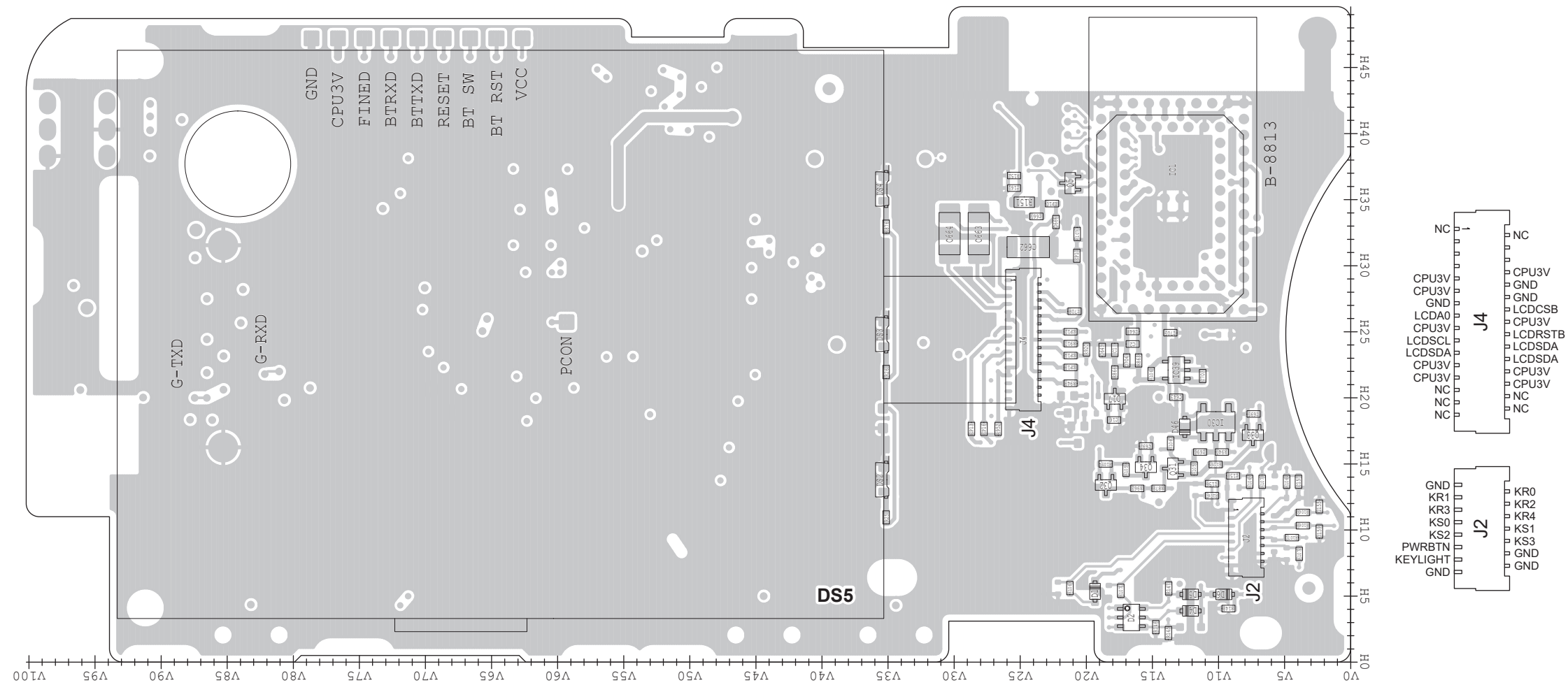


*Refer to the Mechanical Parts list.

SECTION 7 BOARD LAYOUT

The underlined parts have been updated from the addendum of the previous version, or from the original page.

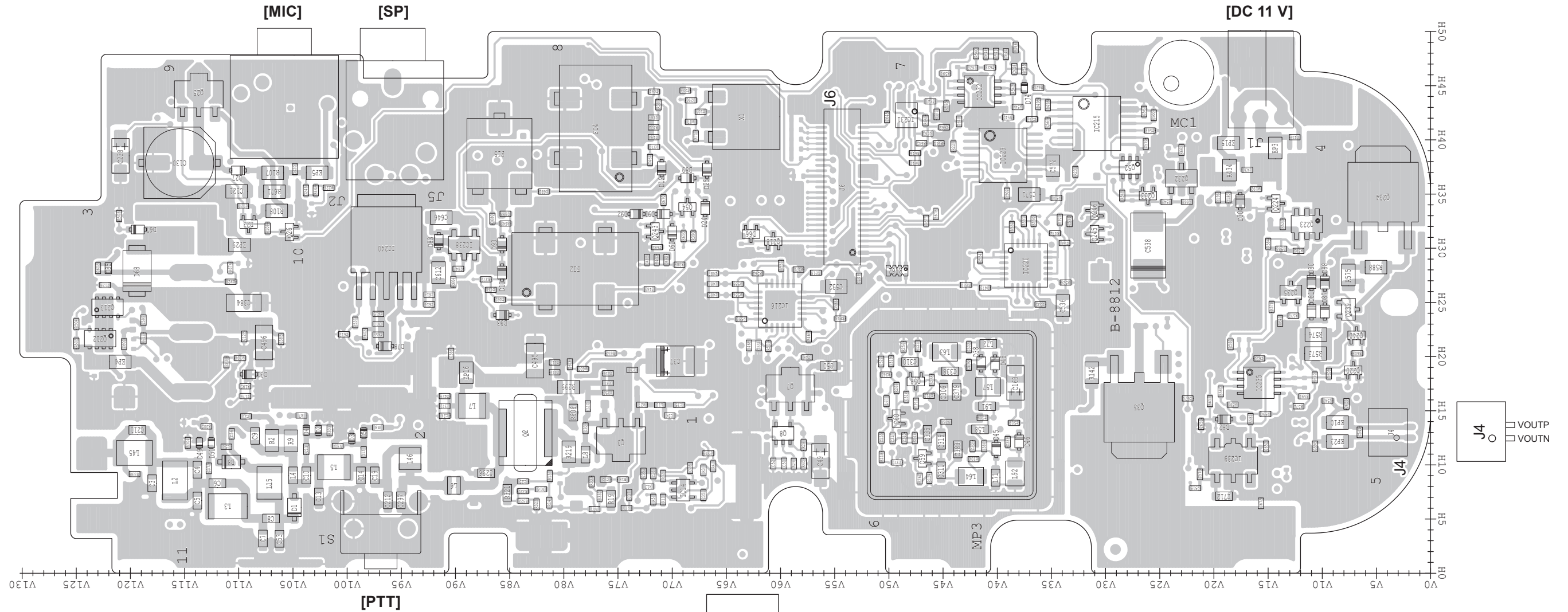
- LOGIC UNIT (B-8813: for [#11], [#21], and [#31])
(Top view)



NOTE: Some parts may not be mounted on the PCB, depending on the transceiver version. Refer to the PARTS LIST for the mounted parts. The scale along the PCB indicates the corresponding "H/V LOCATION" on the parts list.

The underlined parts have been updated from the addendum of the previous version, or from the original page.

• MAIN UNIT (B-8812: for [#11], [#21], and [#31])
(Top view)

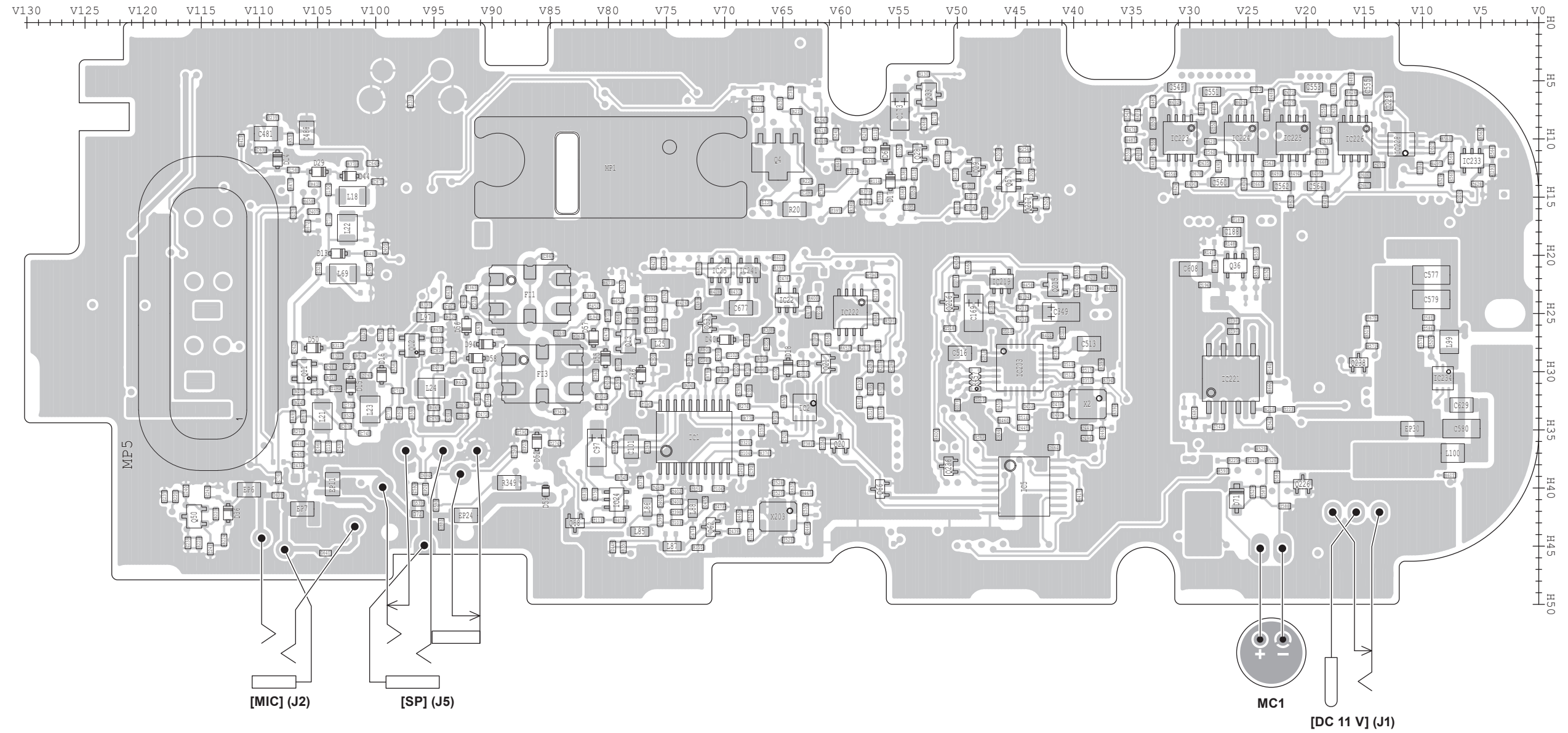


GND	GND
CHGIH	BTAF
CHGC	SPMUTE
NOISE	VOX
PATMP	BTMCSW
LVIN	BTMIC
JACKDET	AGCOFF
DETO	HV
EMBI	VCC
PTT	VCC
DCIN	VCC
CLONE	AFC
BEEP	+3V
BATDATA	DA2STB
VORON	DA1STB
VORDET	OE
VIN	SDATA
TXC	SCK
SBATT2	RFSTB
RSSI	VOLCLK
RFDETV	VOLDATA
PWSW	UNLK
PWRBTN	PCK
INTPTT	PDATA
PCON	PSTB

NOTE: Some parts may not be mounted on the PCB, depending on the transceiver version. Refer to the PARTS LIST for the mounted parts. The scale along the PCB indicates the corresponding "H/V LOCATION" on the parts list.

The underlined parts have been updated from the addendum of the previous version, or from the original page.

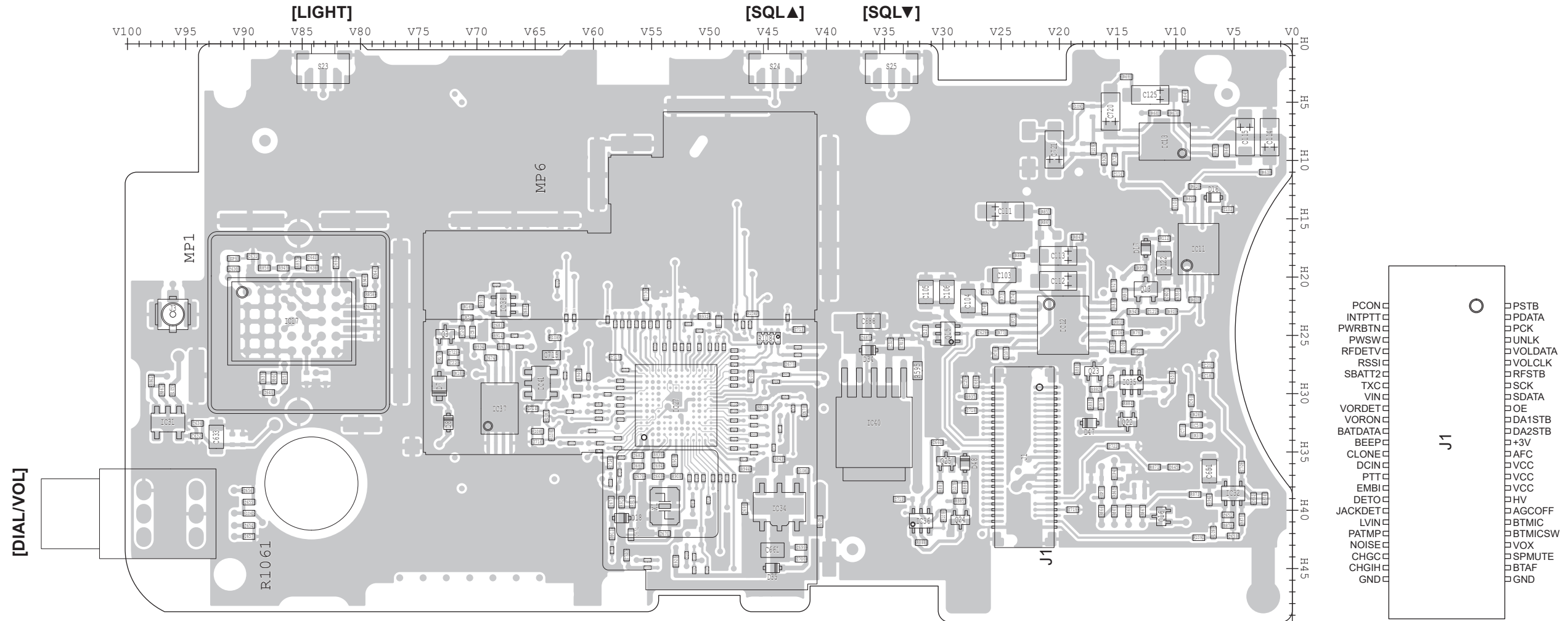
• MAIN UNIT (B-8812: for [#11], [#21], and [#31])
(Top view)



NOTE: Some parts may not be mounted on the PCB, depending on the transceiver version.
Refer to the PARTS LIST for the mounted parts.
The scale along the PCB indicates the corresponding "H/V LOCATION" on the parts list.

The underlined parts have been updated from the addendum of the previous version, or from the original page.

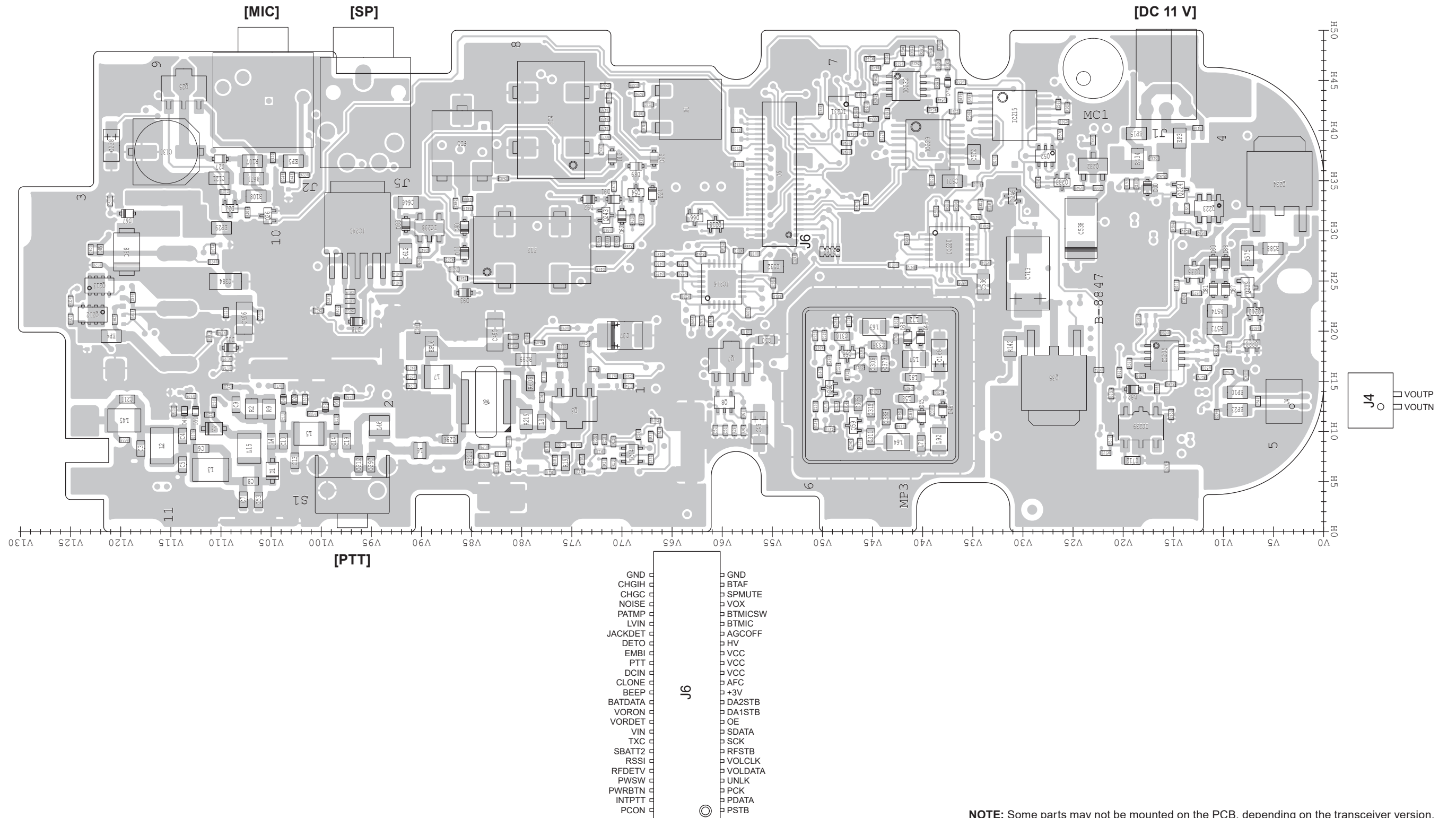
• LOGIC-1 UNIT (B-8848: except for [#11], [#21], and [#31])
(Bottom view)



NOTE: Some parts may not be mounted on the PCB, depending on the transceiver version.
Refer to the PARTS LIST for the mounted parts.
The scale along the PCB indicates the corresponding "H/V LOCATION" on the parts list.

The underlined parts have been updated from the addendum of the previous version, or from the original page.

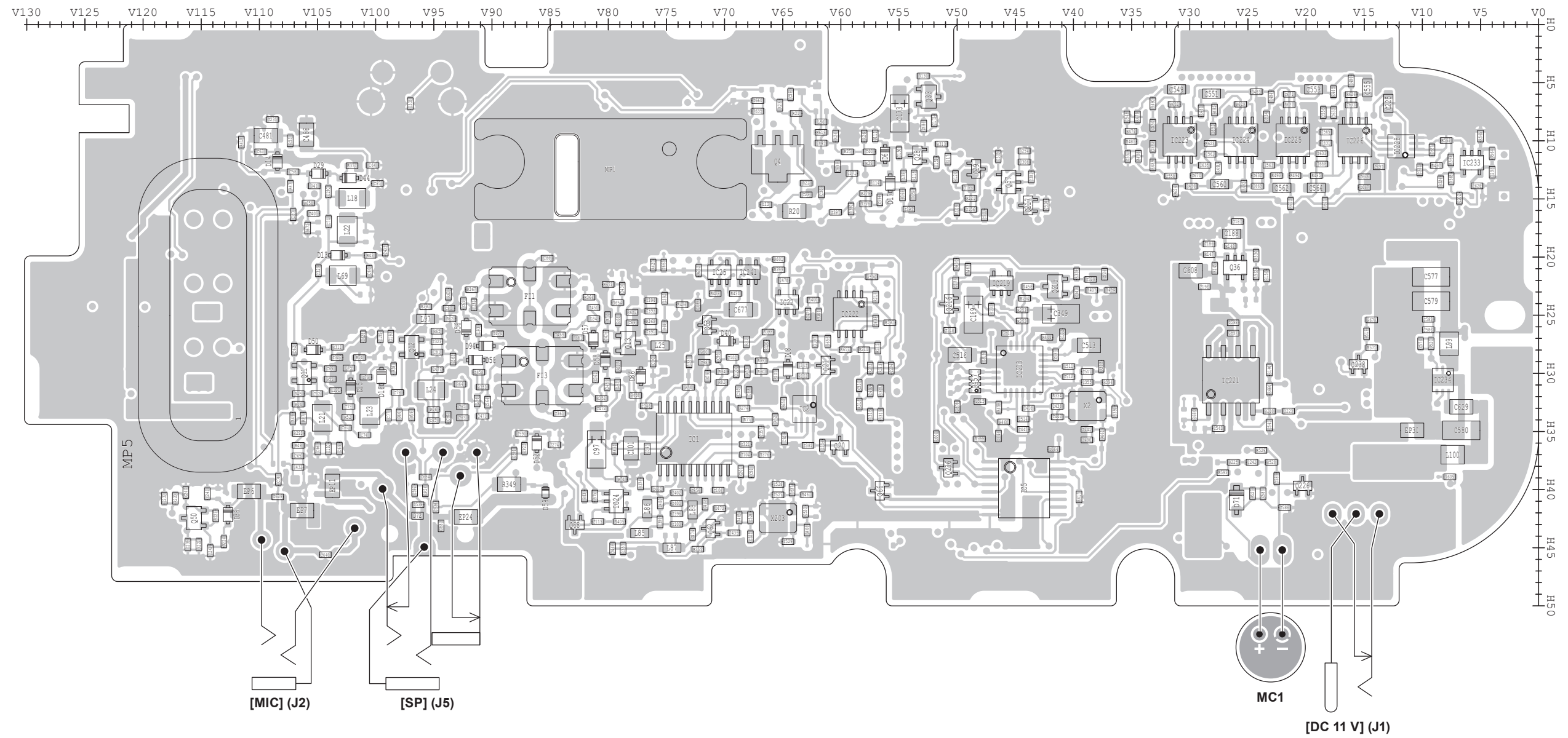
- MAIN-1 UNIT (B-8847: for [#13], [#14], [#16], [#17], [#23], [#24], [#26], [#27], [#33], [#34], and [#36])
(Top view)



NOTE: Some parts may not be mounted on the PCB, depending on the transceiver version. Refer to the PARTS LIST for the mounted parts. The scale along the PCB indicates the corresponding "H/V LOCATION" on the parts list.

The underlined parts have been updated from the addendum of the previous version, or from the original page.

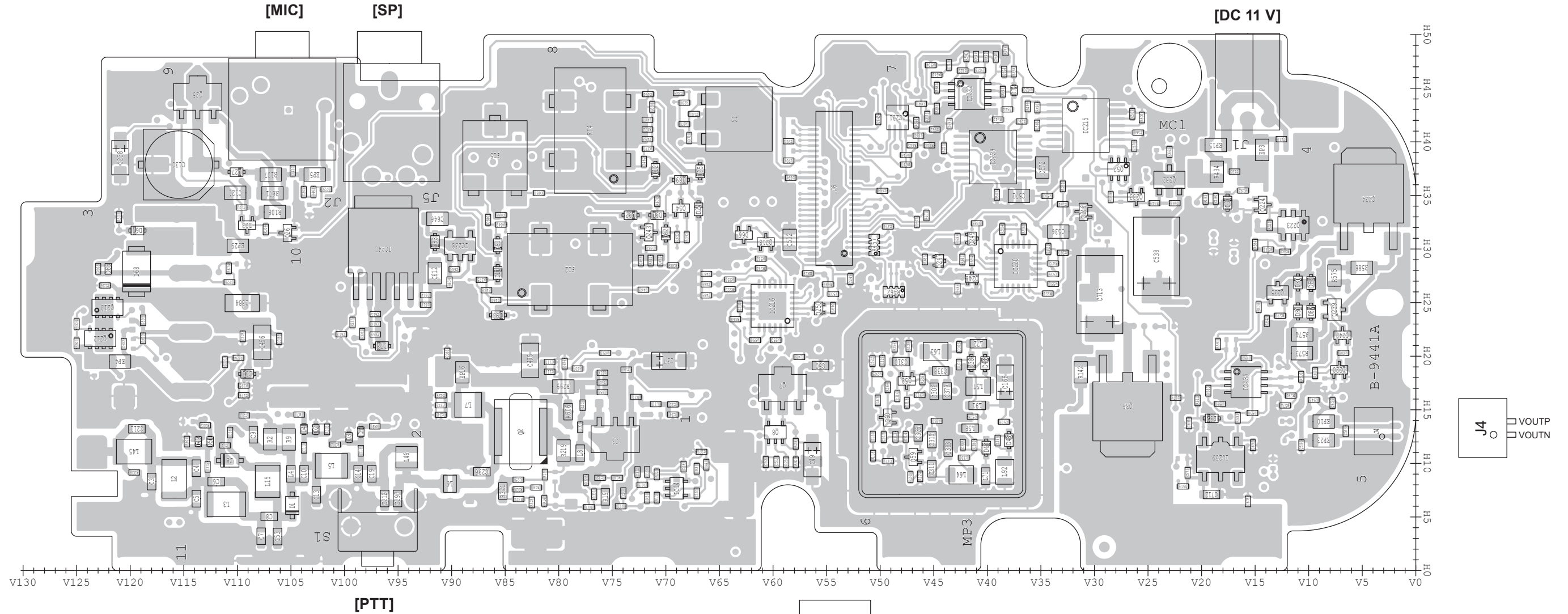
• MAIN-1 UNIT (B-8847: for [#13], [#14], [#16], [#17], [#23], [#24], [#26], [#27], [#33], [#34], and [#36])
 (Bottom view)



NOTE: Some parts may not be mounted on the PCB, depending on the transceiver version.
 Refer to the PARTS LIST for the mounted parts.
 The scale along the PCB indicates the corresponding "H/V LOCATION" on the parts list.

The underlined parts have been updated from the addendum of the previous version, or from the original page.

• **MAIN-2 UNIT (B-9441A: for [#43], [#44], [#46], [#53], [#56], [#63], [#64], and [#66])**
 (Top view)

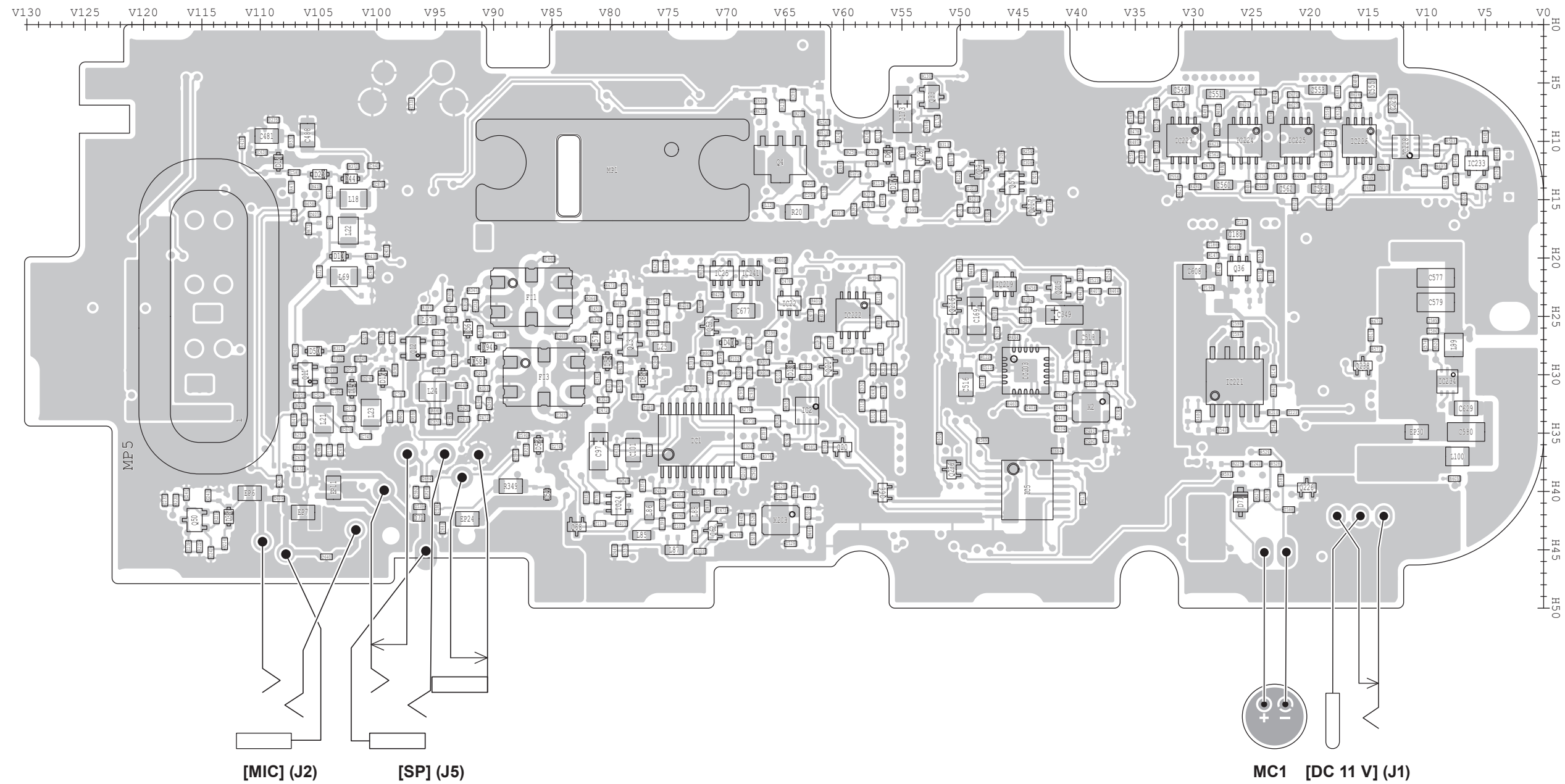


GND	BTAF
CHGIH	SPMUTE
CHGC	VOX
NOISE	BTMCSW
PATMP	BTMIC
LVIN	AGCOFF
JACKDET	HV
DETO	VCC
EMBI	VCC
PTT	VCC
DCIN	VCC
CLONE	AFC
BEEP	+3V
BATDATA	DA2STB
VORON	DA1STB
VORDET	OE
VIN	SDATA
TXC	SCK
SBATT2	RFSTB
RSSI	VOLCLK
RFDETV	VOLDATA
PWSW	UNLK
PWRBTN	PCK
INTPTT	PDATA
PCON	PSTB

NOTE: Some parts may not be mounted on the PCB, depending on the transceiver version. Refer to the PARTS LIST for the mounted parts. The scale along the PCB indicates the corresponding "H/V LOCATION" on the parts list.

The underlined parts have been updated from the addendum of the previous version, or from the original page.

• **MAIN-2 UNIT (B-9441A: for [#43], [#44], [#46], [#53], [#56], [#63], [#64], and [#66])**
(Bottom view)

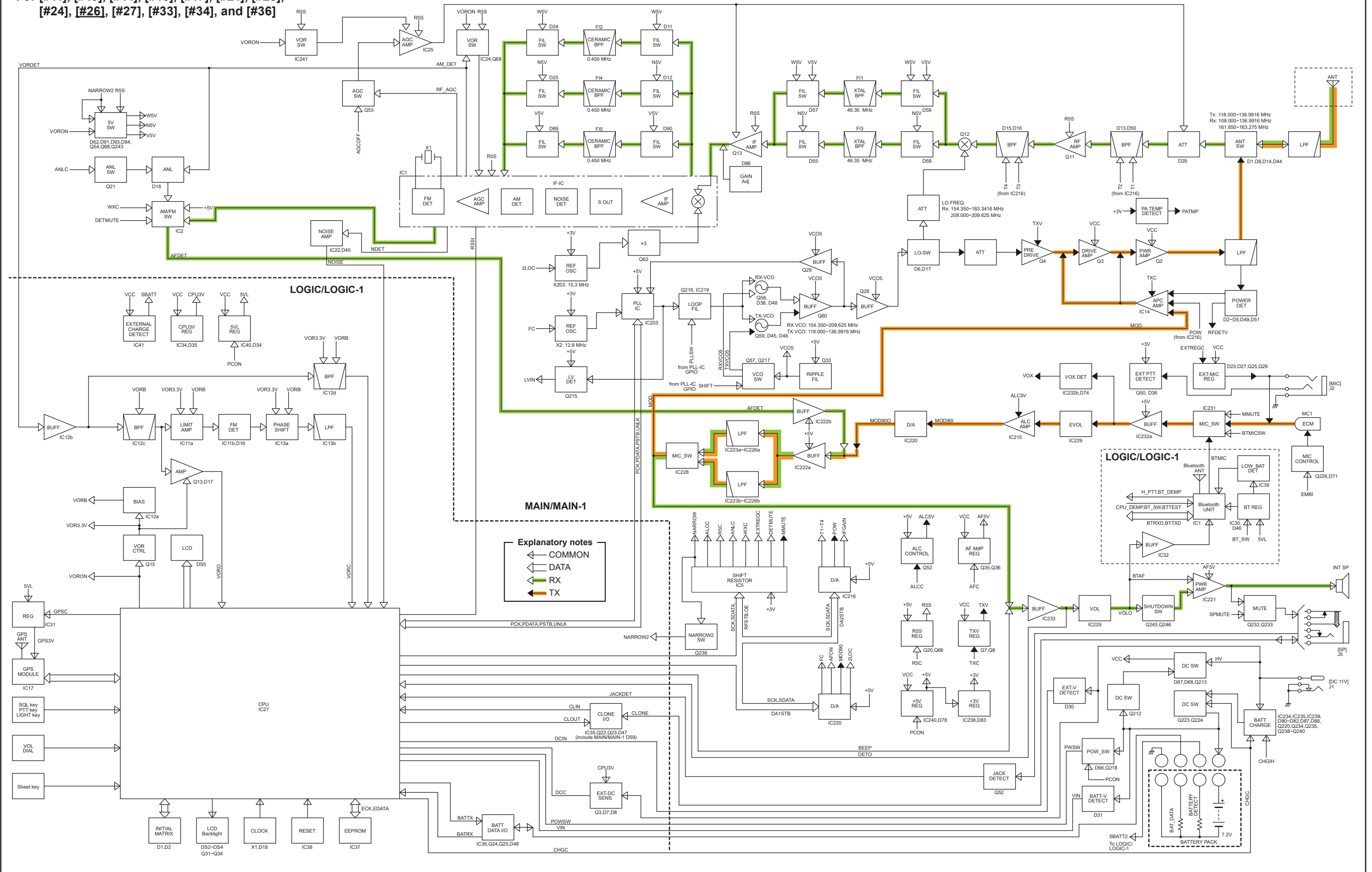


NOTE: Some parts may not be mounted on the PCB, depending on the transceiver version.
 Refer to the PARTS LIST for the mounted parts.
 The scale along the PCB indicates the corresponding "H/V LOCATION" on the parts list.

SECTION 8 BLOCK DIAGRAM

The underlined parts have been updated from the addendum of the previous version, or from the original page.

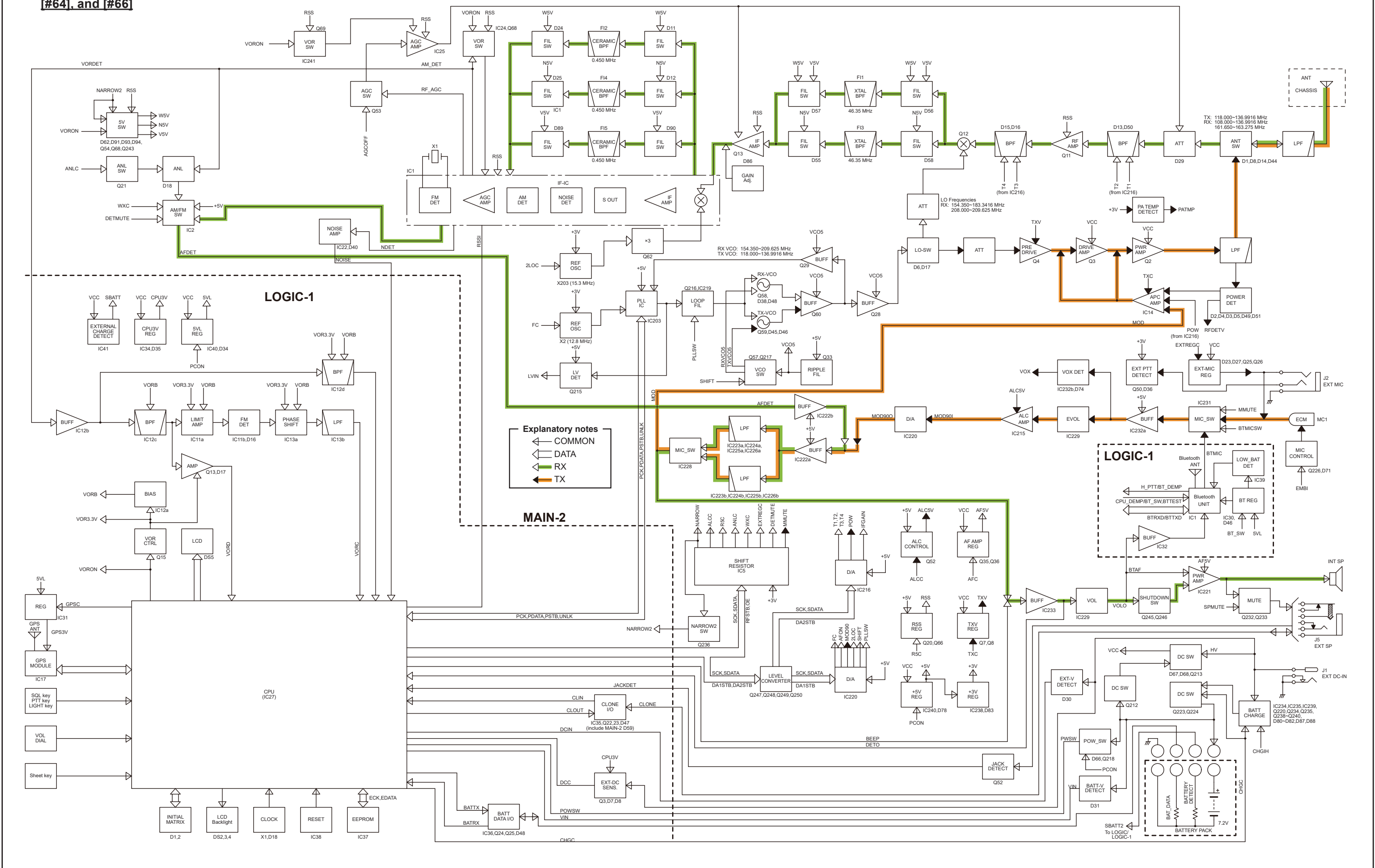
• For #[11], #[13], #[14], #[16], #[17], #[21], #[23], #[24], #[26], #[27], #[33], #[34], and #[36]



*Refer to the PARTS LIST for the value and name of component.

The underlined parts have been updated from the addendum of the previous version, or from the original page.

• For [#43], [#44], [#46], [#47], [#53], [#56], [#63], [#64], and [#66]

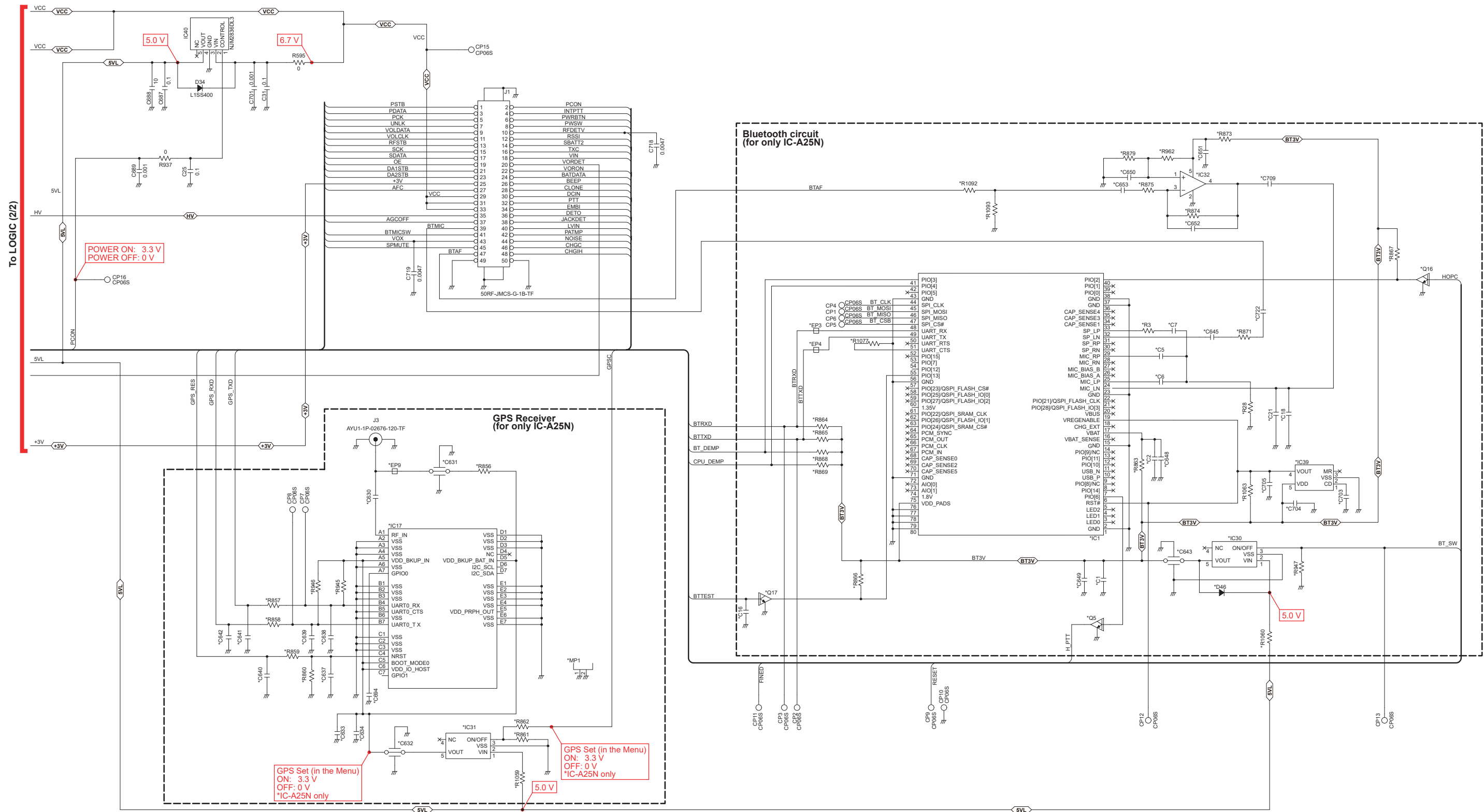


*Refer to the PARTS LIST for the value and name of component.

SECTION 9 VOLTAGE DIAGRAM

The underlined parts have been updated from the addendum of the previous version, or from the original page.

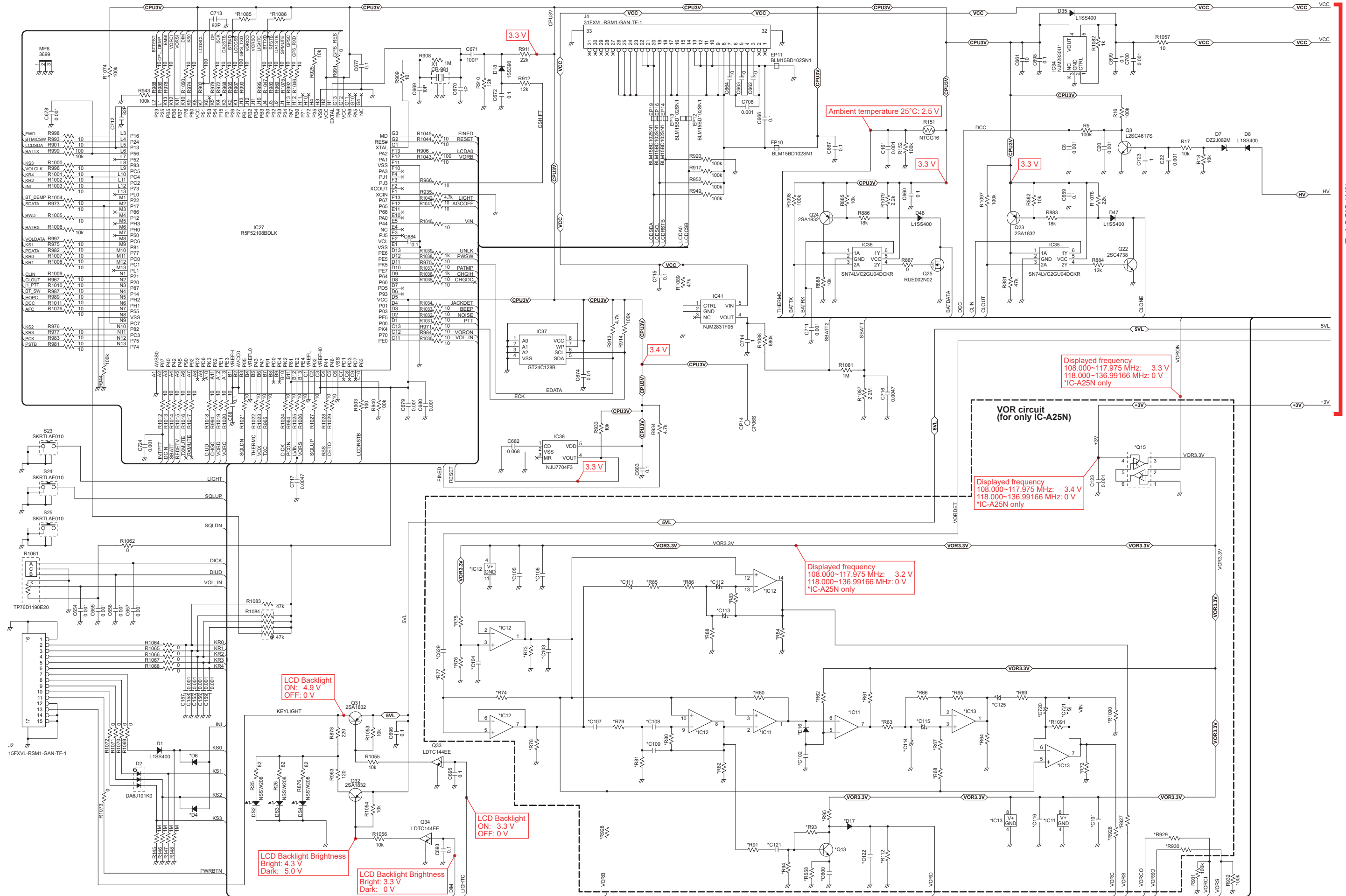
• LOGIC UNIT (for [#11], [#21], and [#31]: 1/2)



*Refer to the PARTS LIST for the value and name of component.

The underlined parts have been updated from the addendum of the previous version, or from the original page.

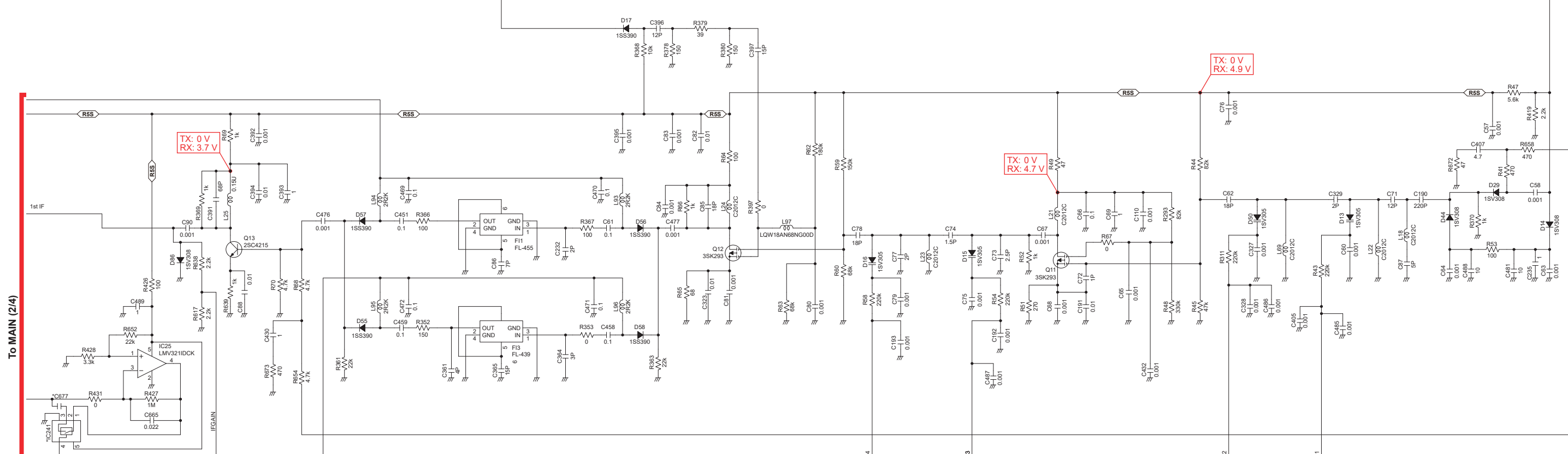
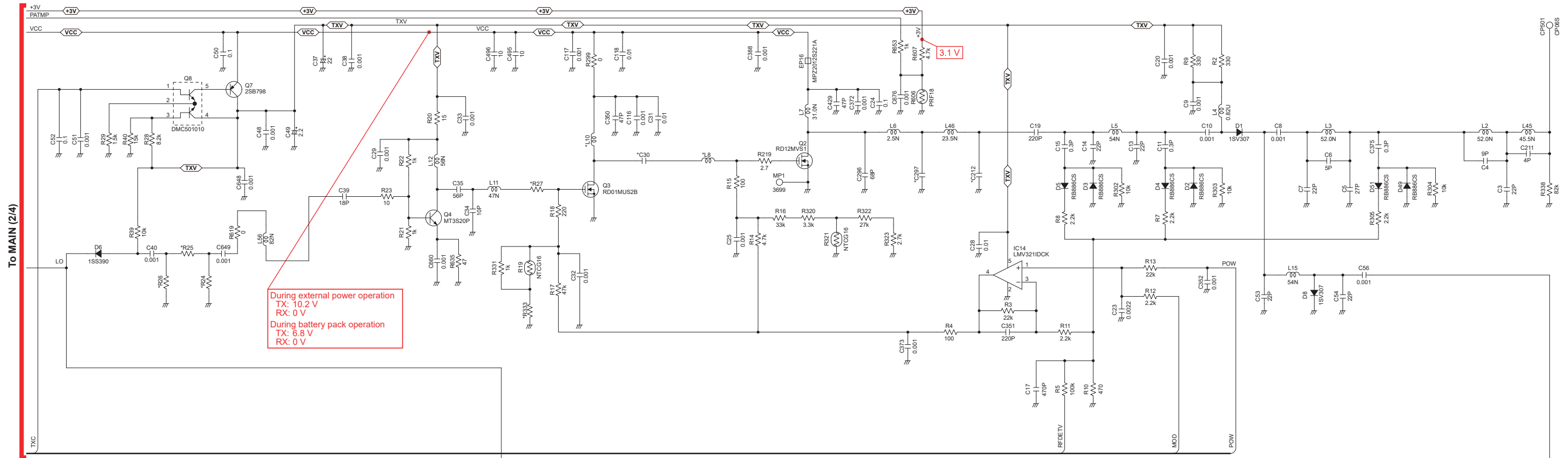
• LOGIC UNIT (for [#11], [#21], and [#31]: 2/2)



*Refer to the PARTS LIST for the value and name of component.

The underlined parts have been updated from the addendum of the previous version, or from the original page.

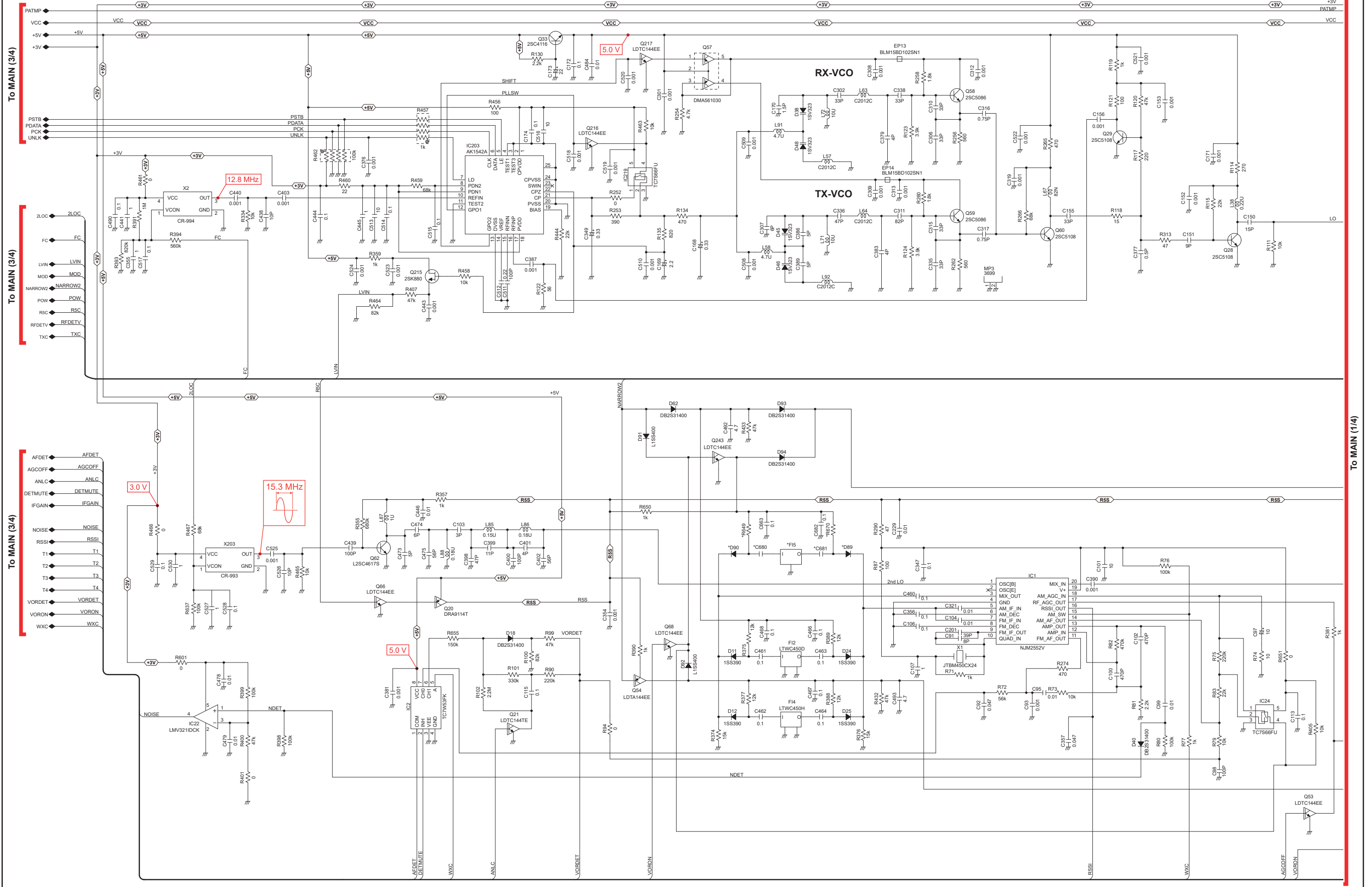
• MAIN UNIT (for [#11], [#21], and [#31]: 1/4)



*Refer to the PARTS LIST for the value and name of component.

The underlined parts have been updated from the addendum of the previous version, or from the original page.

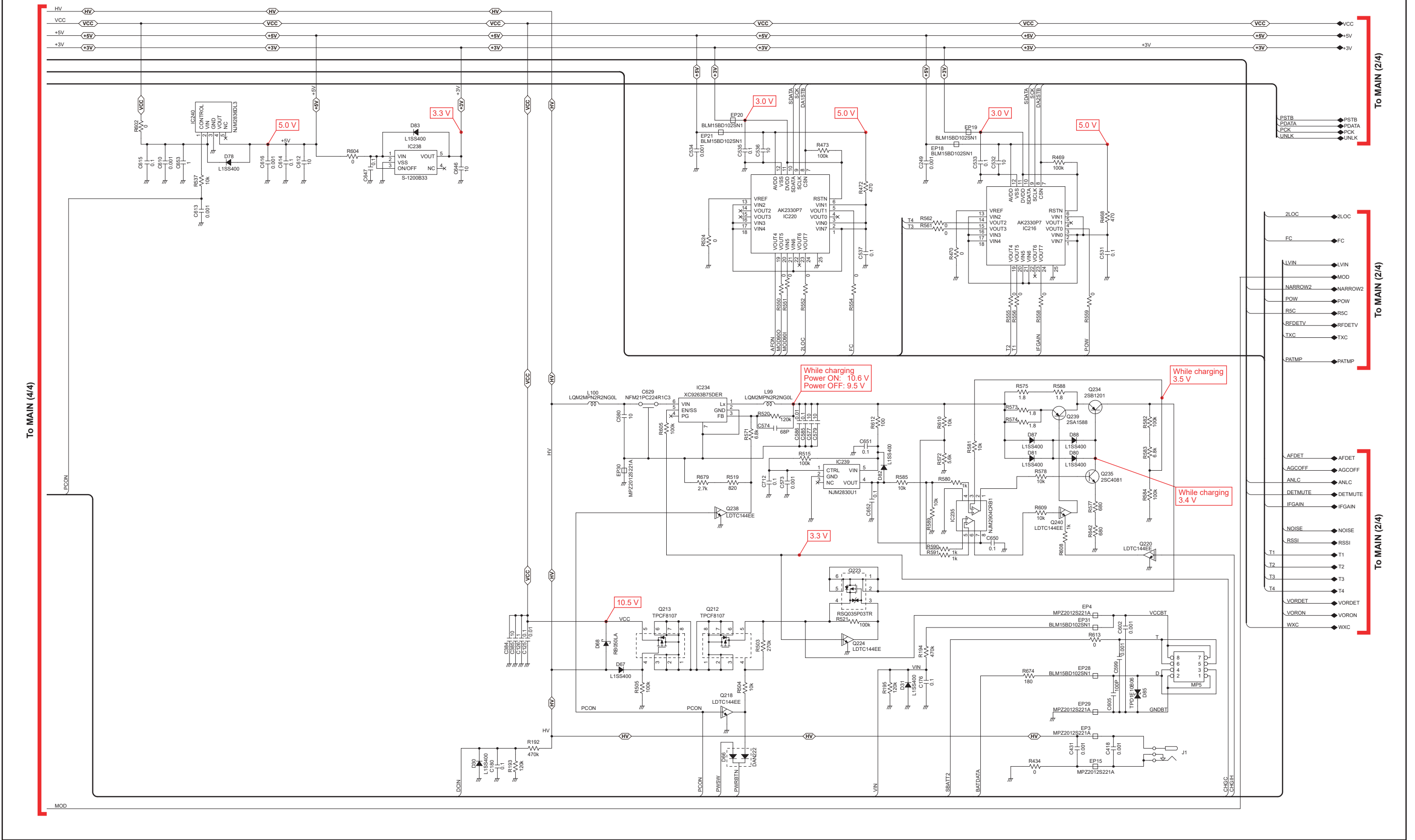
• MAIN UNIT (for [#11], [#21], and [#31]: 2/4)



*Refer to the PARTS LIST for the value and name of component.

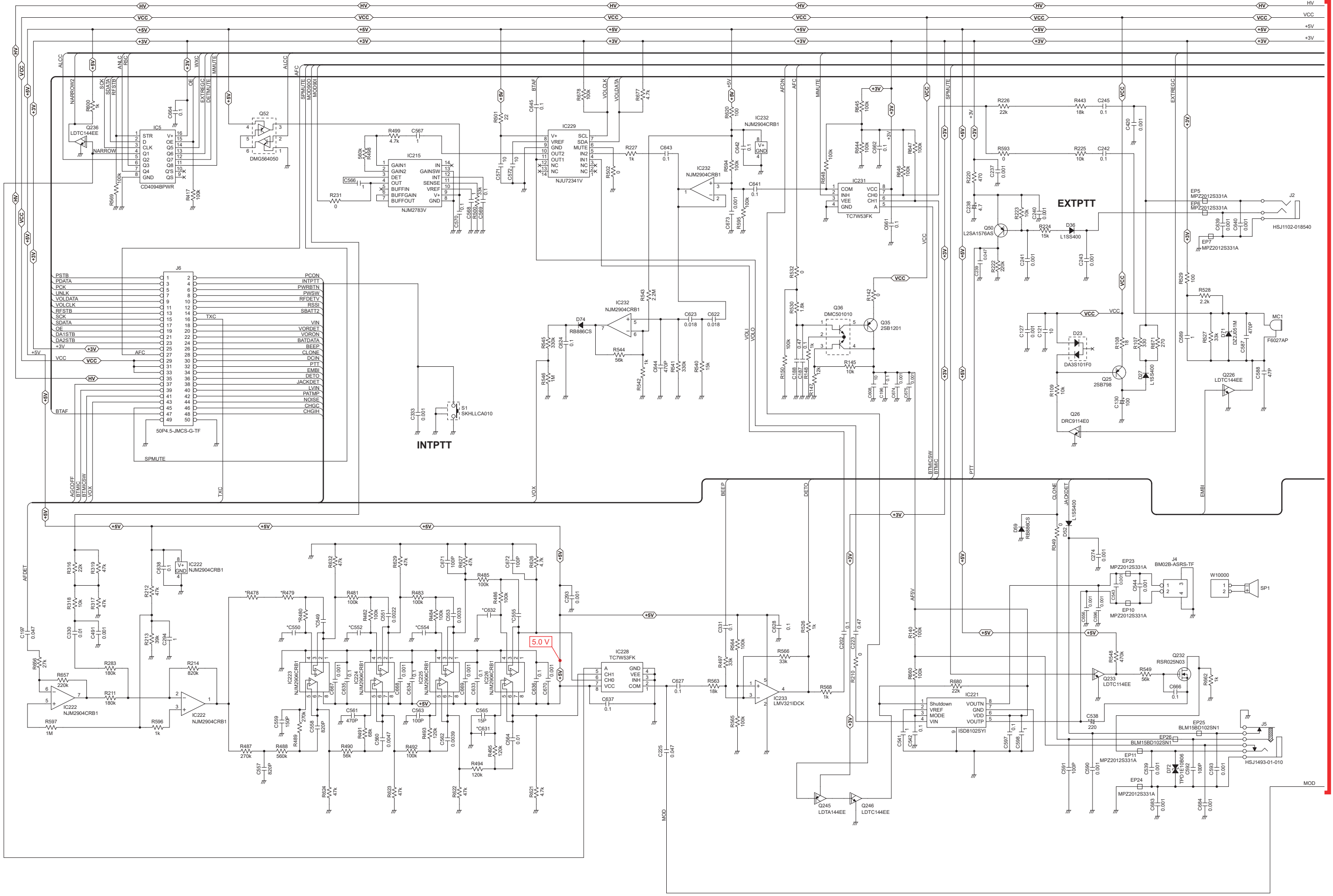
The underlined parts have been updated from the addendum of the previous version, or from the original page.

• MAIN UNIT (for [#11], [#21], and [#31]: 3/4)



*Refer to the PARTS LIST for the value and name of component.

• MAIN UNIT (for [#11], [#21], and [#31]: 4/4)

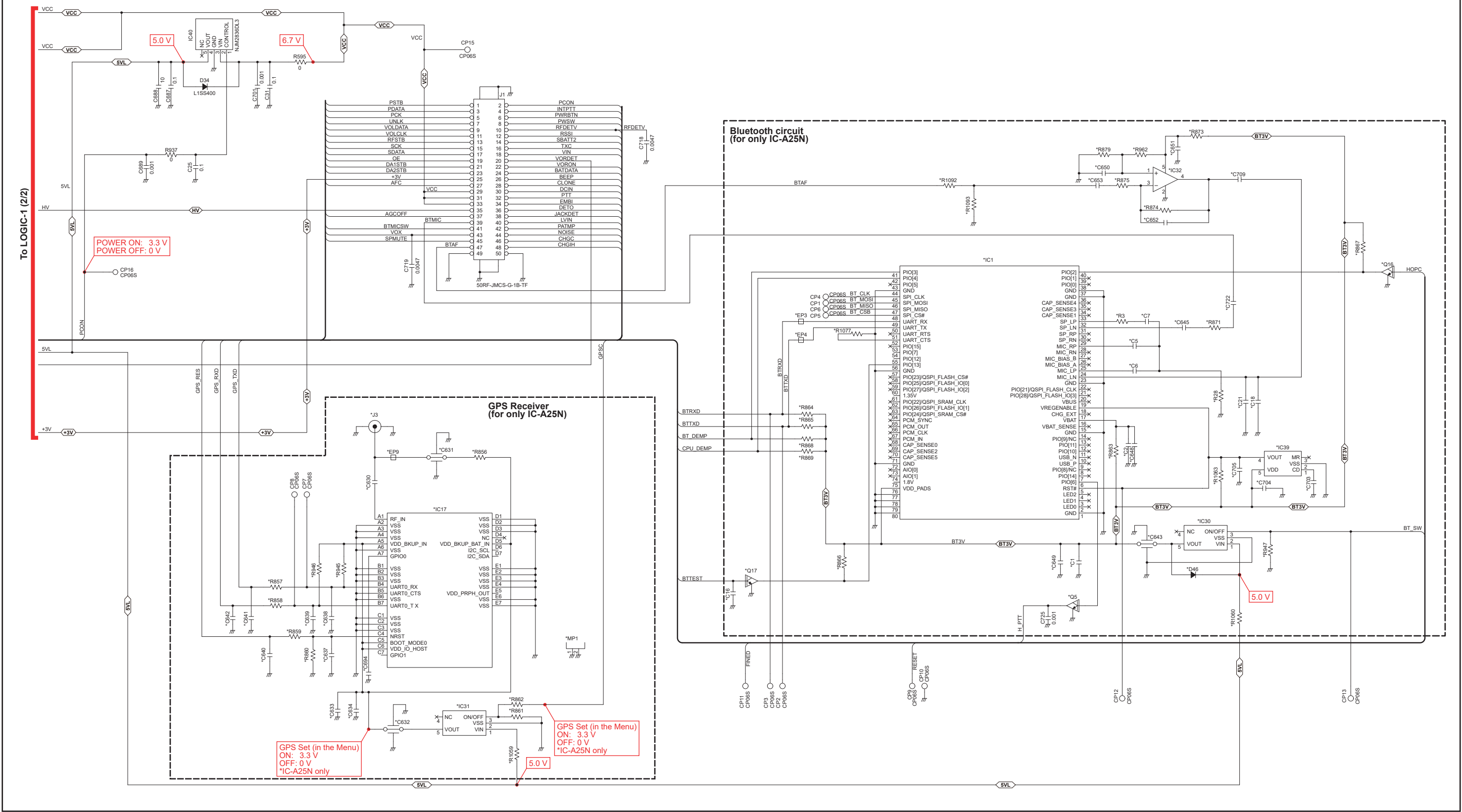


To MAIN (3/4)

*Refer to the PARTS LIST for the value and name of component.

The underlined parts have been updated from the addendum of the previous version, or from the original page.

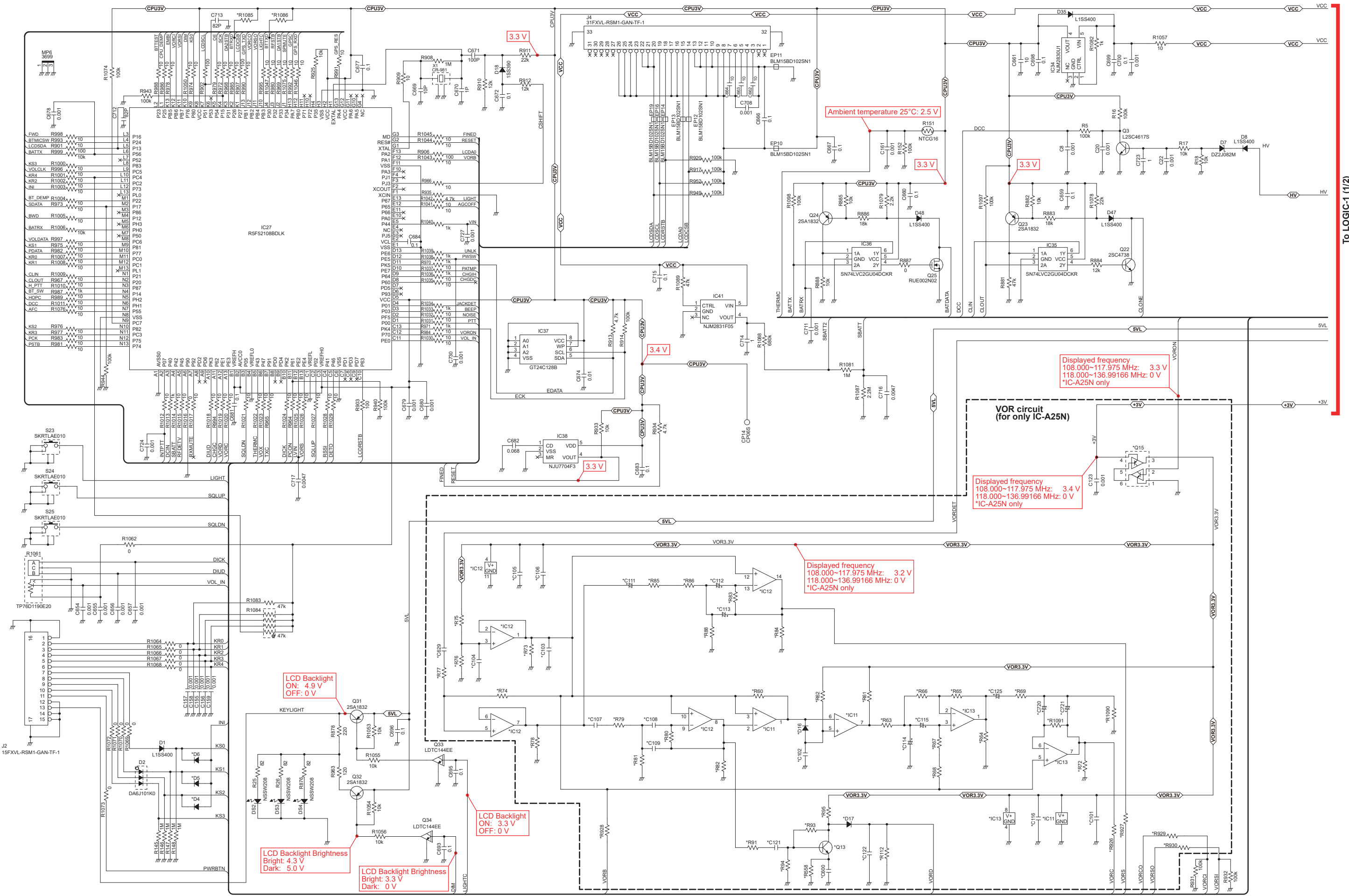
• LOGIC-1 UNIT (except for [#11], [#21], and [#31]: 1/2)



*Refer to the PARTS LIST for the value and name of component.

The underlined parts have been updated from the addendum of the previous version, or from the original page.

• LOGIC-1 UNIT (except for [#11], [#21], and [#31]: 2/2)

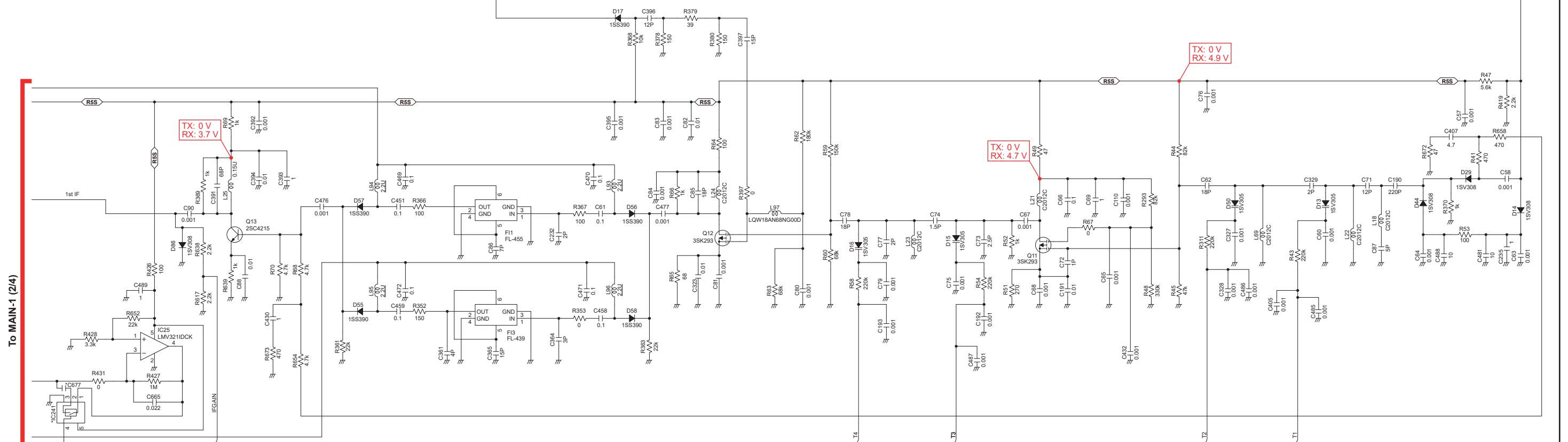
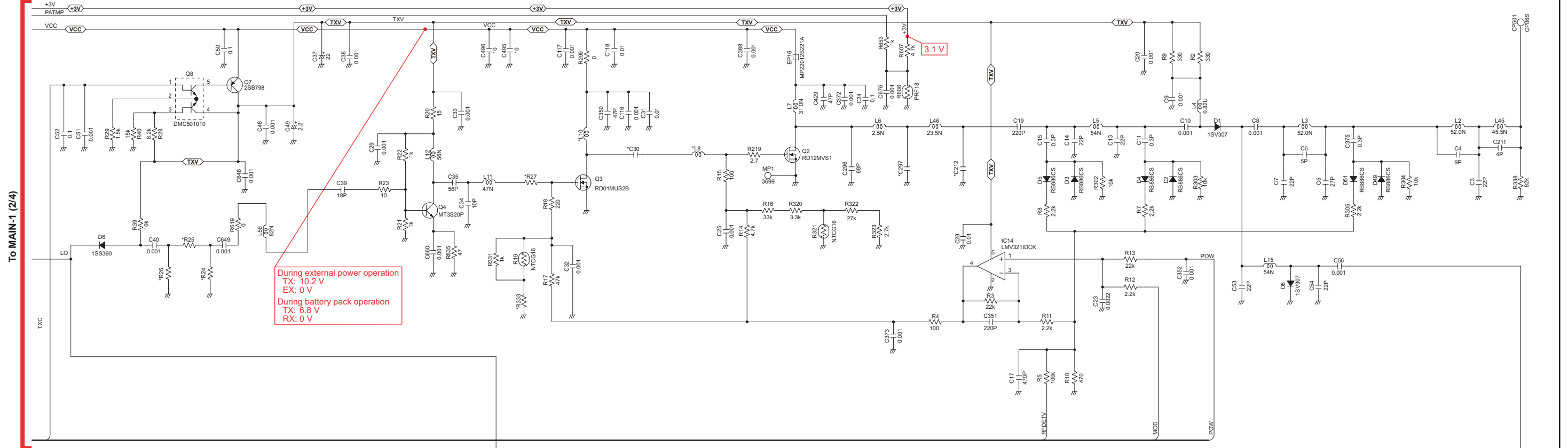


To LOGIC-1 (1/2)

*Refer to the PARTS LIST for the value and name of component.

The underlined parts have been updated from the addendum of the previous version, or from the original page.

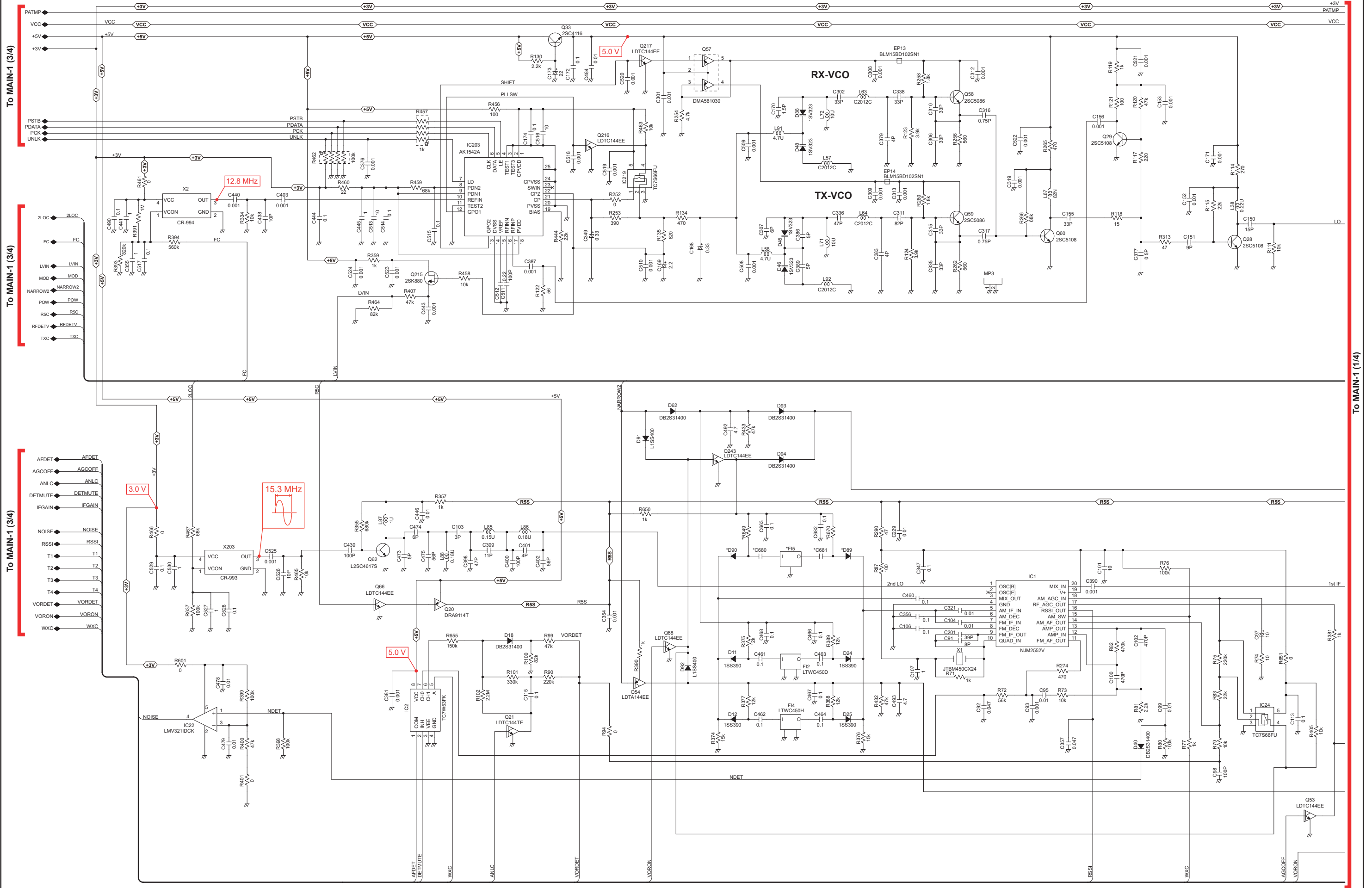
• MAIN-1 UNIT (for [#13], [#14], [#16], [#17], [#23], [#24], [#26], [#27], [#33], [#34], and [#36]: 1/4)



*Refer to the PARTS LIST for the value and name of component.

The underlined parts have been updated from the addendum of the previous version, or from the original page.

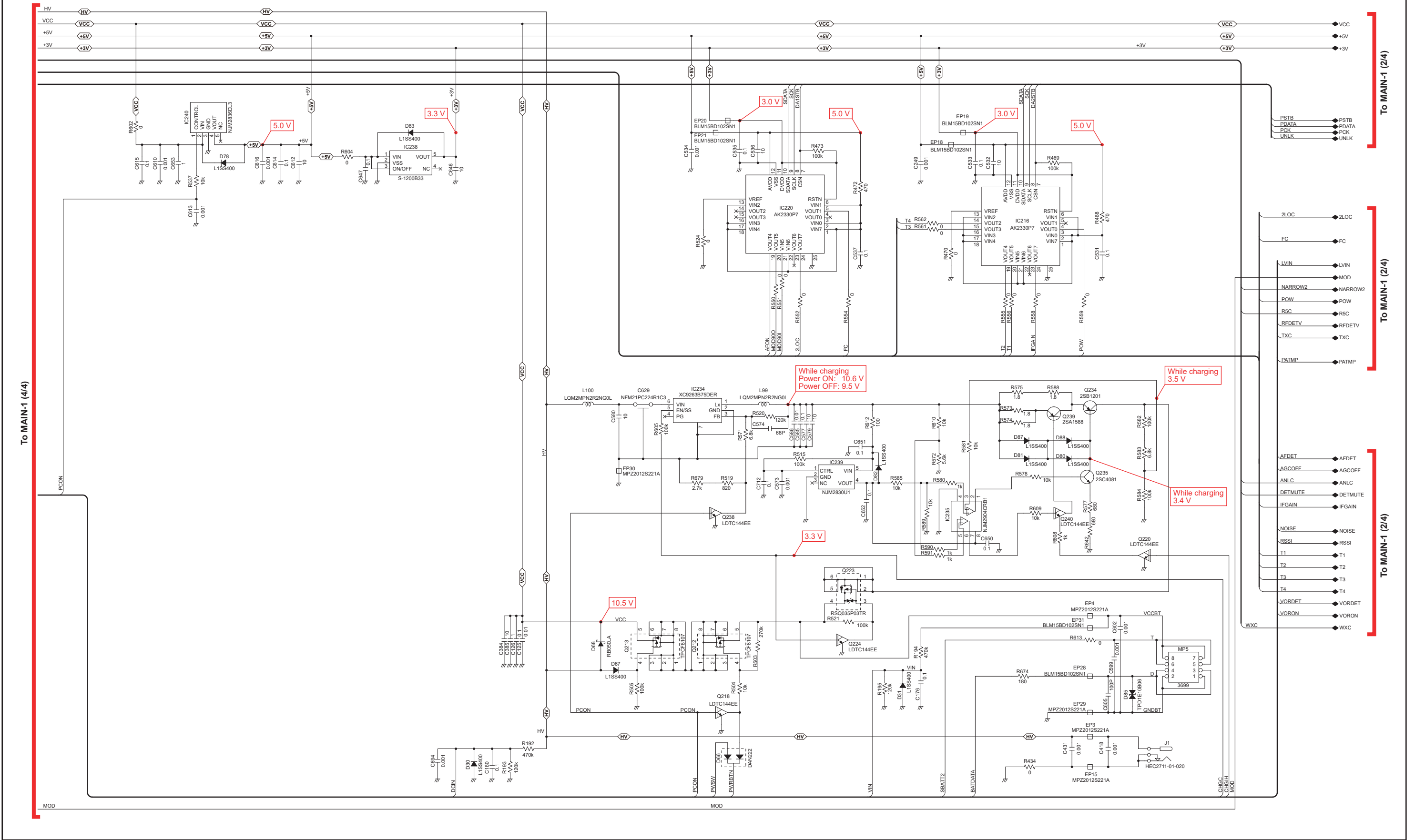
• MAIN-1 UNIT (for [#13], [#14], [#16], [#17], [#23], [#24], [#26], [#27], [#33], [#34], and [#36]: 2/4)



*Refer to the PARTS LIST for the value and name of component.

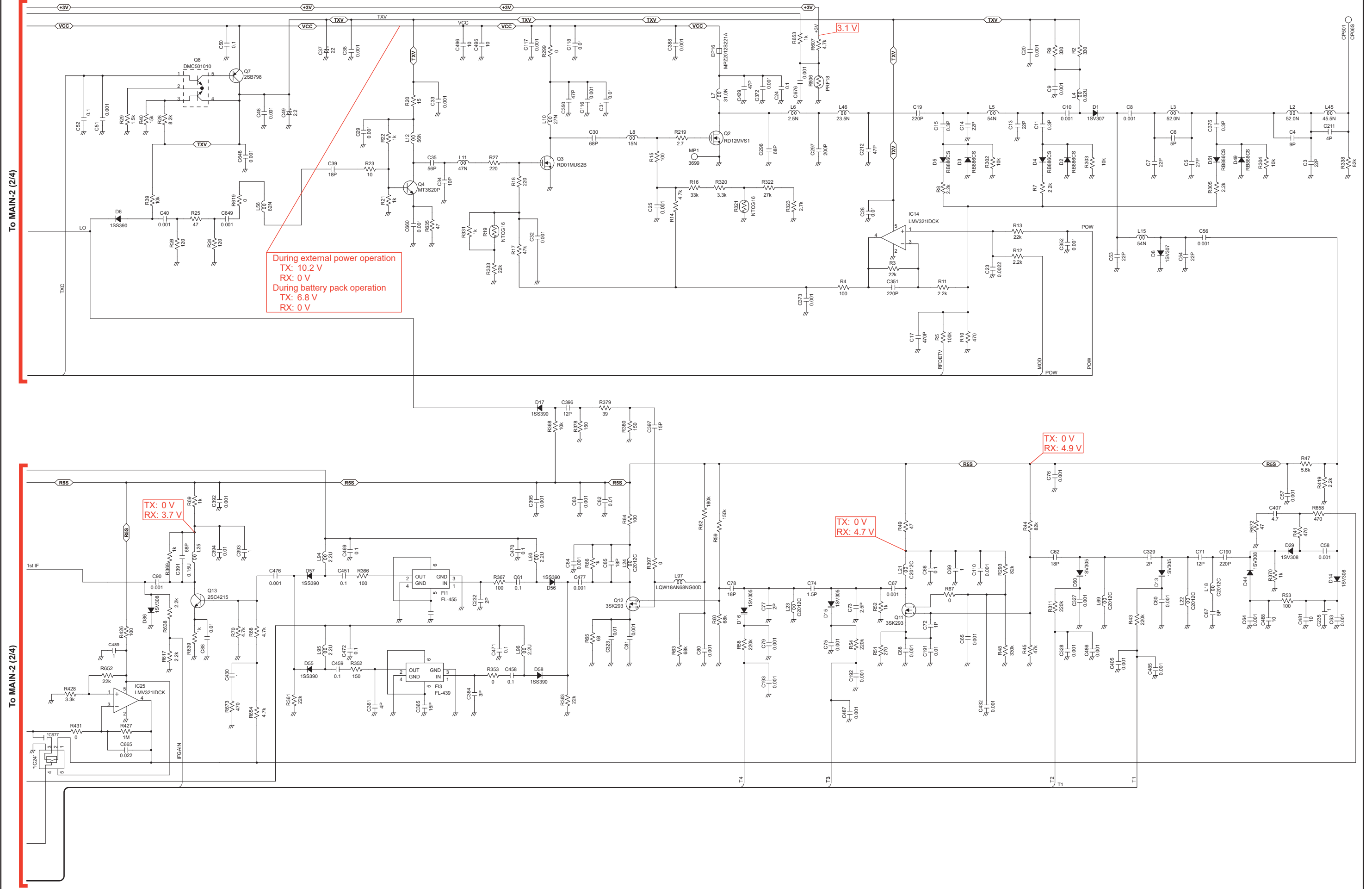
The underlined parts have been updated from the addendum of the previous version, or from the original page.

• MAIN-1 UNIT (for [#13], [#14], [#16], [#17], [#23], [#24], [#26], [#27], [#33], [#34], and [#36]: 3/4)



The underlined parts have been updated from the addendum of the previous version, or from the original page.

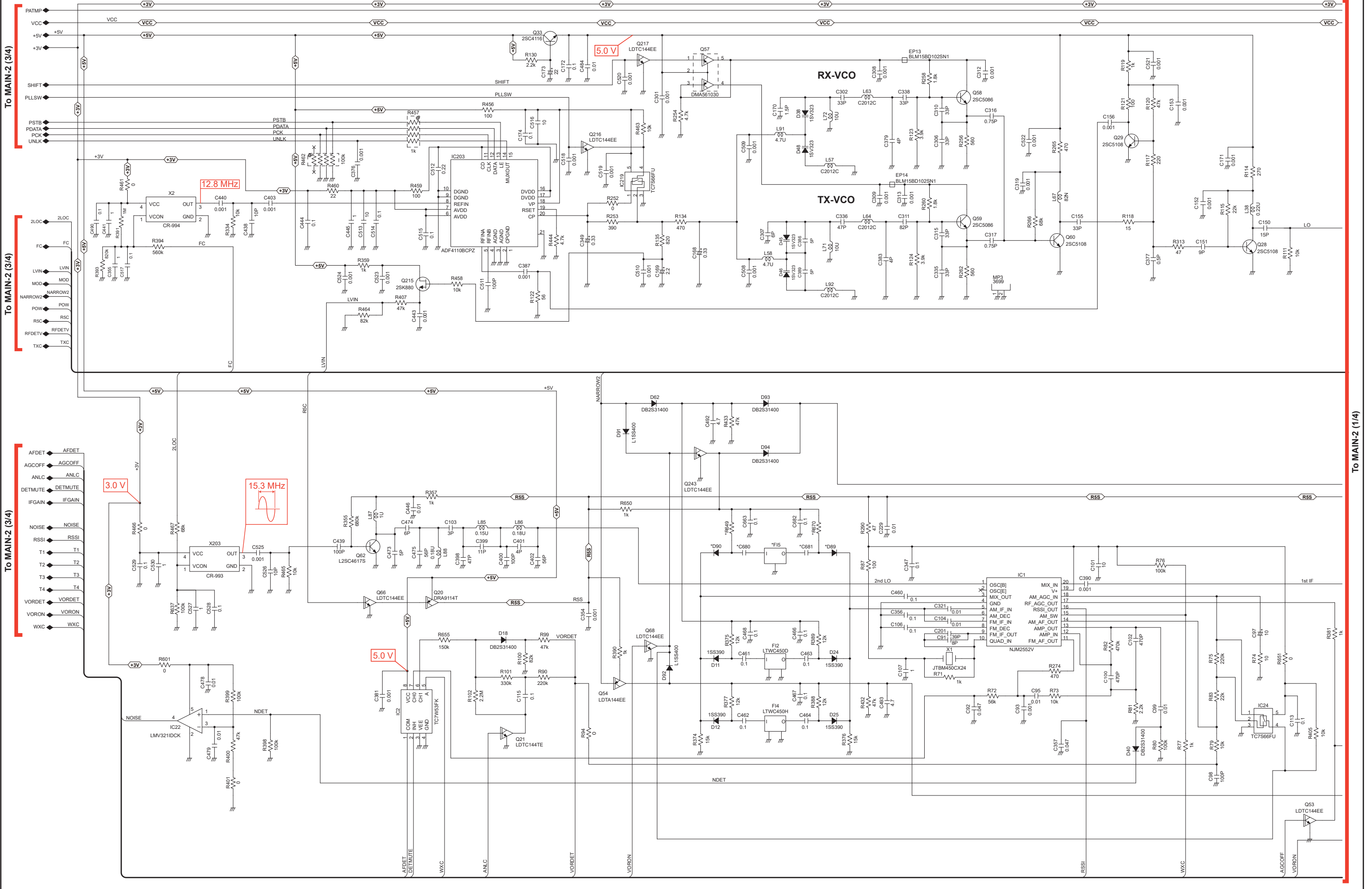
• MAIN-2 UNIT (for [#43], [#44], [#46], [#47], [#53], [#56], [#63], [#64], and [#66]: 1/4)



*Refer to the PARTS LIST for the value and name of component.

The underlined parts have been updated from the addendum of the previous version, or from the original page.

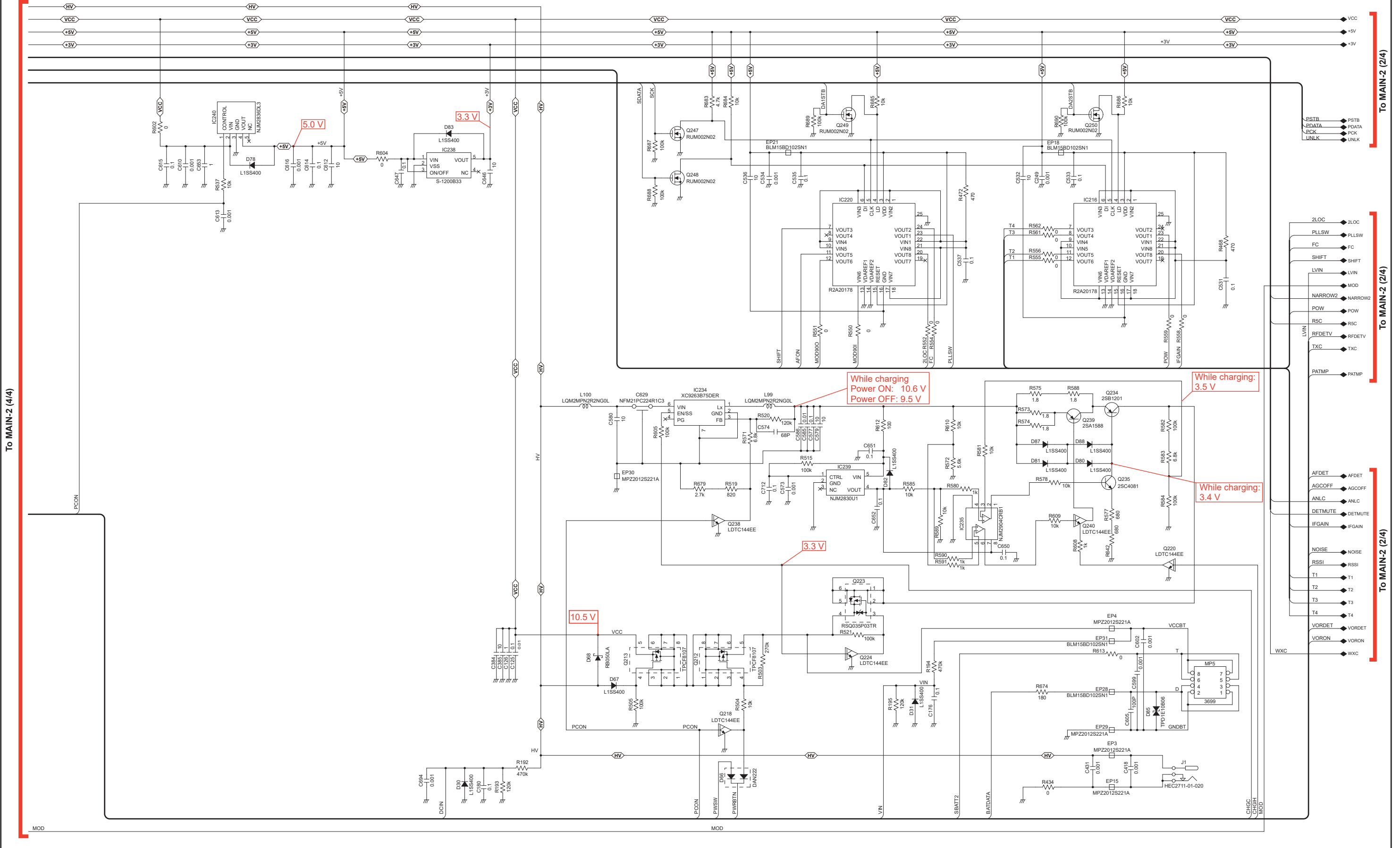
• MAIN-2 UNIT (for [#43], [#44], [#46], [#47], [#53], [#56], [#63], [#64], and [#66]: 2/4)



*Refer to the PARTS LIST for the value and name of component.

The underlined parts have been updated from the addendum of the previous version, or from the original page.

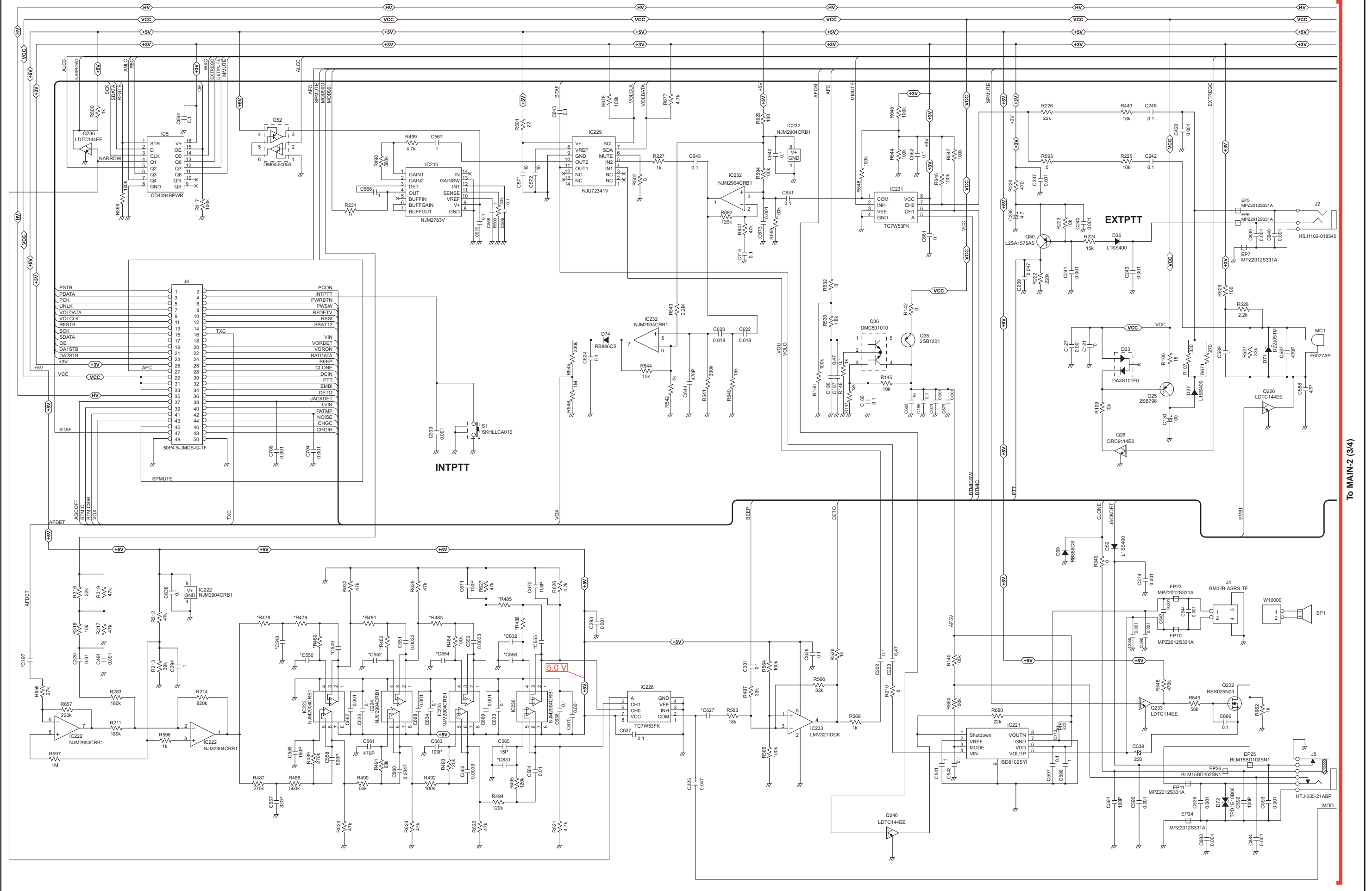
• MAIN-2 UNIT (for [#43], [#44], [#46], [#47], [#53], [#56], [#63], [#64], and [#66]: 3/4)



*Refer to the PARTS LIST for the value and name of component.

The underlined parts have been updated from the addendum of the previous version, or from the original page.

• MAIN-2 UNIT (for [#43], [#44], [#46], [#47], [#53], [#56], [#63], [#64], and [#66]: 4/4)



To MAIN-2 (3/4)

*Refer to the PARTS LIST for the value and name of component.

IC-A25N/IC-A25C/IC-A25NE/IC-A25CE

**NOTE: Use these amended pages as one addendum set.
Do not mix them up with the previous master pages.**

	Definitions
Replacement page	The page to replace the original one.
Addendum page	The page to be added to the original set.
Amended page	The page to be added as change history, including corrections.

CONTENTS

SPECIFICATIONS	1-1a
ADJUSTMENT PROCEDURE	4-1a to 4-6a
PARTS LIST	5-1a to 5-19a
MECHANICAL PARTS	6-1a to 6-3a
BOARD LAYOUTS	7-1a to 7-8a

[VERSION LIST]

MODEL	VERSION	VERSION NUMBER	VOR/GPS	Bluetooth	WX	LOGIC Unit	MAIN Unit	LOGIC-1 Unit	MAIN-1 Unit
IC-A25N	USA-01	#11	✓	✓	✓	✓	✓	-	-
	EXP-01	#12	✓	✓	✓	✓	✓	-	-
IC-A25NE	EUR-01	#13	✓	✓	-	-	-	✓	✓
	AUS-01	#14	✓	✓	-	-	-	✓	✓
IC-A25N	USA-02	#16*	✓	✓	✓	-	-	✓	✓
	EXP-02	#17*	✓	✓	✓	-	-	✓	✓
IC-A25C	USA-01	#21	-	-	✓	✓	✓	-	-
	EXP-01	#22	-	-	✓	✓	✓	-	-
IC-A25CE	EUR-01	#23	-	-	-	-	-	✓	✓
	AUS-01	#24	-	-	-	-	-	✓	✓
IC-A25C	EXP-02	#27*	-	-	✓	-	-	✓	✓
	USA-02	#31*	-	-	✓	✓	✓	-	-
IC-A25CE	EUR-02	#33*	-	-	-	-	-	✓	✓
	AUS-02	#34*	-	-	-	-	-	✓	✓
IC-A25C	USA-03	#36*	-	-	✓	-	-	✓	✓

* Newly added versions.

✓ Unit installed

SECTION 1 SPECIFICATIONS

The underlined parts have been updated from the previous version of the addendum, or the original page.

		IC-A25N	IC-A25C	IC-A25NE	IC-A25CE
GENERAL	Frequency coverage (Unit: MHz)	118.000~136.99166			
	TX				
	RX	108.000~ 136.99166	118.000~ 136.99166	108.000~ 136.99166	118.000~ 136.99166
	WX	161.650~163.275		-	
	Channel spacing	25 kHz/8.33 kHz			
	Type of emission	6K00A3E/5K60A3E, 16K0G3E (WX)		6K80A3E/5K00A3E	
	Number of memory channels	300 channels			
	Usable temperature range	-10°C~+60°C, +14°F~+140°F		-20°C~+55°C	
	Frequency stability	±0.4 kHz		±1 ppm	
	Power supply	7.2 V DC standard or 11.0 V DC at the external DC jack			
	Current drain (at 7.2 V DC)*1				
	Transmit	Less than 1.8 A			
Receive (Maximum AF output)	Less than 500 mA				
(Standby)	90 mA typical				
Antenna connector	BNC (50 Ω)				
Dimensions (projections not included)	58.9 (W)×148.4 (H)×31.8 (D) mm, 2.3(W)×5.8 (H)×1.3 (D) inches				
Weight (approximate)	200 g, 7.1 oz (Without battery pack, battery case, and antenna)				
TRANSMITTER	Modulation system	Low level modulation			
	Output power (at 7.2 V DC)	PEP	6.0 W		
		Carrier Wave	1.8 W		
	Modulation limiting	70~100%		-	
	Modulation depth	-		85%	
	Spurious emissions	More than 46 dB*2		Less than -36 dBm*3	
	Audio harmonic distortion	Less than 10% (at 60% Mod.)		Less than 10% (at 85% Mod. <u>input level</u> +3 dB)	
	Ham and noise ratio	More than 35 dB		-	
	Microphone impedance	150 Ω			
	RECEIVER	Receive system	Double Conversion Superheterodyne		
Intermediate frequencies		1st	46.35 MHz		
		2nd	450 kHz		
Sensitivity *4		COM	Less than 0 dBμ (at 6 dB S/N)	Less than 0 dBμ (at 12 dB SINAD: with CCITT)	
		VOR	Less than 0 dBμ (at 6 dB S/N)	-	Less than 0 dBμ (at 6 dB S/N)
		WX	Less than -8 dBμ (at 12 dB SINAD)		-
Audio output power		More than 350 mW with 60% Mod. at 10% distortion into an 8 Ω load			
Adjacent Channel rejection		-		More than 60 dB	
Ham and noise		More than 35 dB at 30% Mod.		More than 40 dB at 90% Mod.	
Spurious response rejection ratio		AM	More than 60 dB		More than 70 dB
		FM (WX)	More than 30 dB		-
Squelch Sensitivity (threshold)	COM/VOR	Less than 0 dBμ			
	WX	Less than -5 dBμ		-	

*1 When GPS, Bluetooth, and backlight are OFF.

*2 Except ±62.5 kHz from the operating frequency, in the AM mode, and ±20.825 kHz, in the AM narrow mode.

*3 30 MHz to 1 GHz, except ±1 MHz from the operating frequency.

*4 The input signal strength level of this receive sensitivity is measured at the load end (PD).

Measurements made in accordance with FCC Part87 (IC-A25N and IC-A25C), or EN300 676 (IC-A25NE and IC-A25CE).

All stated specifications are typical and subject to change without notice or obligation.

SECTION 4 ADJUSTMENT PROCEDURE

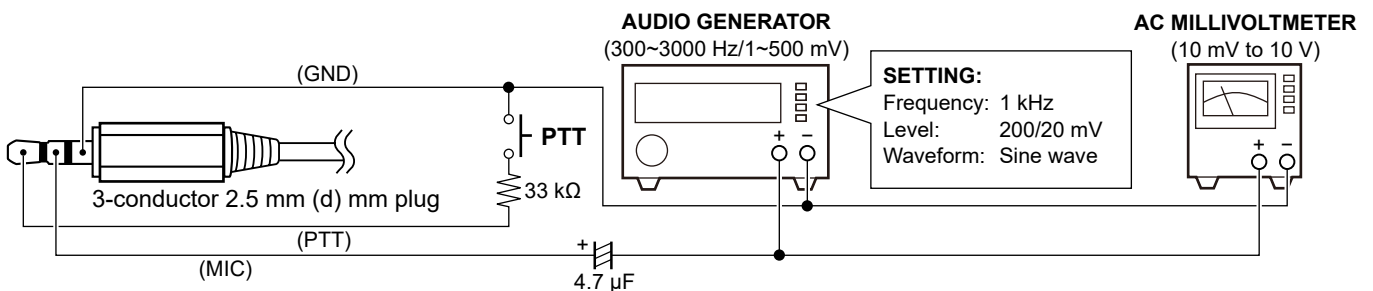
The underlined parts have been updated from the previous version of the addendum, or the original page.

4-1 PREPARATION

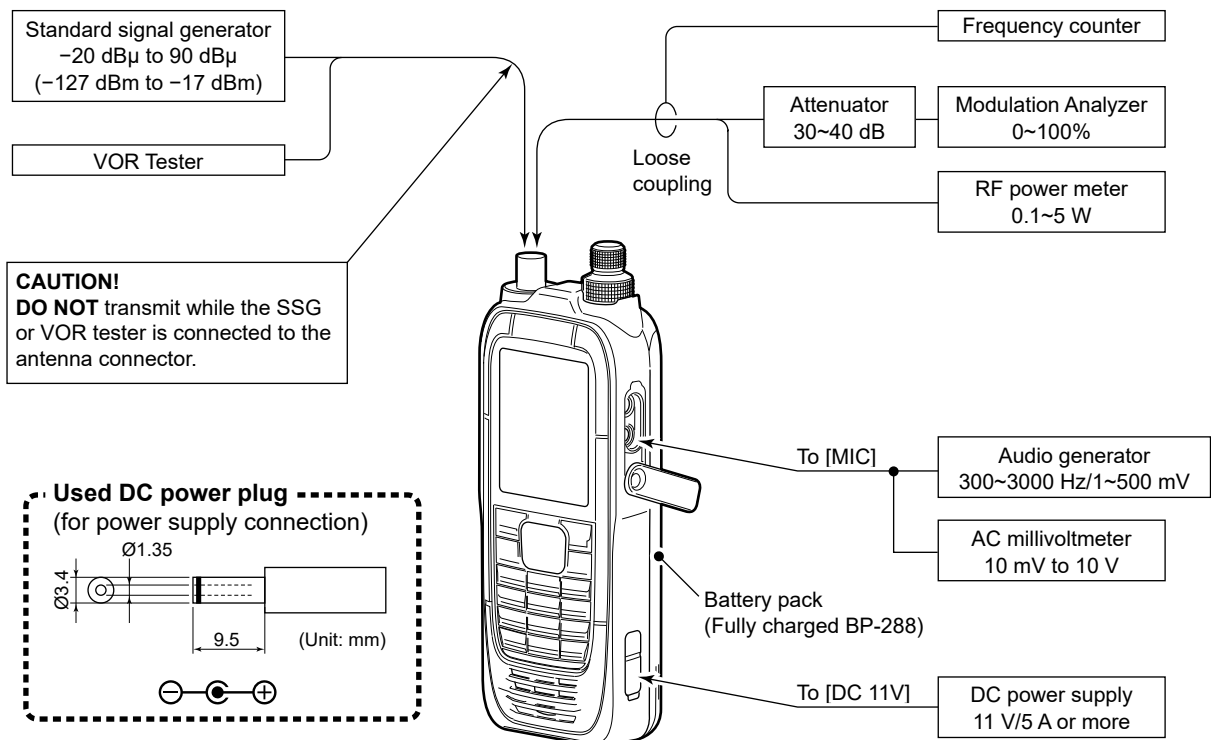
■ REQUIRED EQUIPMENT

EQUIPMENT	SPECIFICATIONS	EQUIPMENT	SPECIFICATIONS
DC power supply	Output voltage: 11 V Current capacity: 5 A or more	Programming software	CS-A25 Programming software (Revision 1.0 or later)
Battery pack	BP-288 (Fully charged)	Programming cable	OPC-478UC
RF power meter (50 Ω terminated)	Measuring range: 0.1~5 W Frequency range: 100~300 MHz SWR: Less than 1.2 : 1	Standard signal generator (SSG)	Frequency range: 0.1~300 MHz Output level: -20 dBμ to 90 dBμ (-127 to -17 dBm)
Frequency counter	Frequency range: 0.1~300 MHz Frequency accuracy: ±1 ppm or better	Audio generator (AG)	Frequency range: 300~3000 Hz Output level: 1~500 mV
Modulation Analyzer	Frequency range: 30~300 MHz Measuring range: 0~100%	JIG cable	See the illustration below.
Attenuator	Power attenuation: 30~40 dB Capacity: More than 10 W	AC millivoltmeter	Measuring range: 10 mV to 10 V Frequency range: 108~118 MHz Output level: -20 dBμ to 90 dBμ (-127 to -17 dBm)

■ JIG CABLE



■ CONNECTIONS

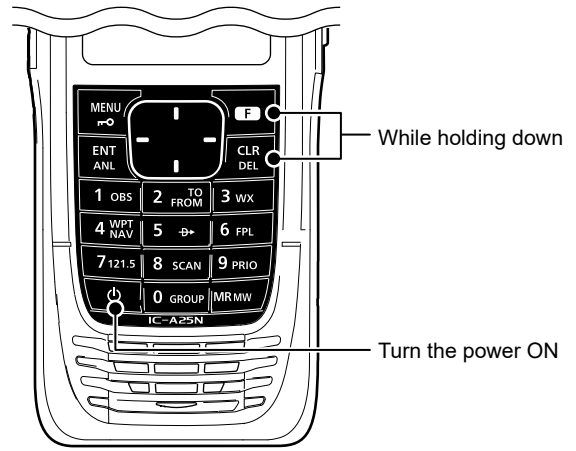
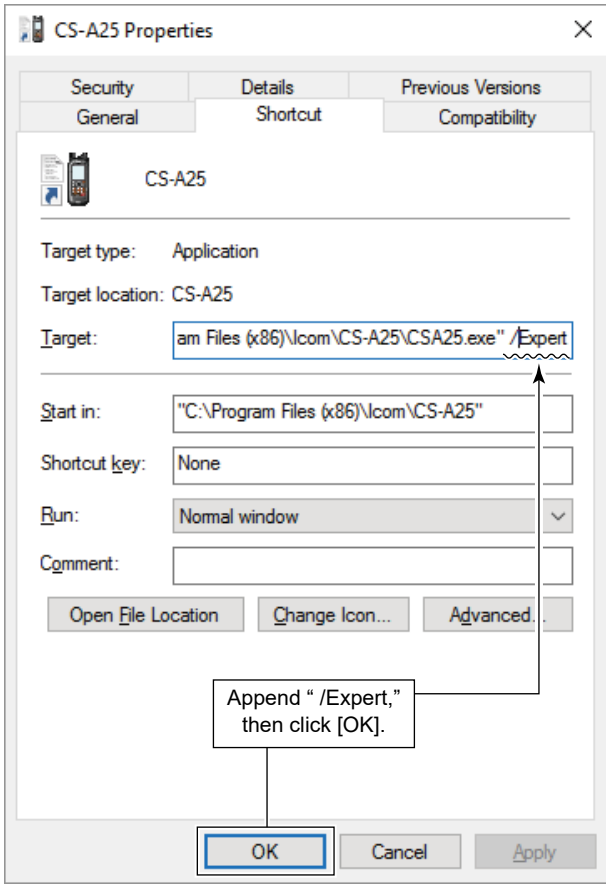


The underlined parts have been updated from the previous version of the addendum, or the original page.

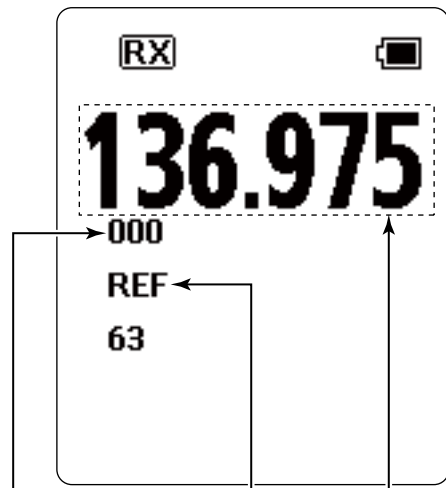
■ ENTERING THE ADJUSTMENT MODE

1. Right click the CS-A25's icon on the desktop and select the "Properties."
• The CS-A25 properties window appears.
2. Append " /Expert" to the end of the contents of the Target field, and then click [OK].
• A space is necessary before slash.

8. Write the data to the transceiver.
9. Turn the power OFF, and then disconnect the OPC-478UC from the transceiver.
10. While holding down [F] and [CLR], turn ON the power.
• Enters to the adjustment mode.

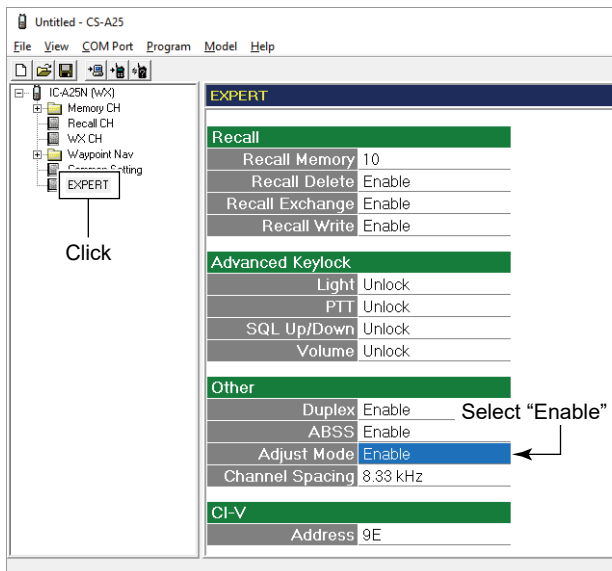


■ ADJUSTMENT MODE SCREEN



Adjustment item number Adjustment frequency

3. Boot up the programming software, CS-A25.
4. Connect the transceiver and the PC using with the OPC-478UC, and then turn the power ON.
5. Read the transceiver data into the PC.
6. Save the cloning data of the transceiver with the programming software.
7. Set "Adjust Mode" in the "EXPERT" to "Enable."



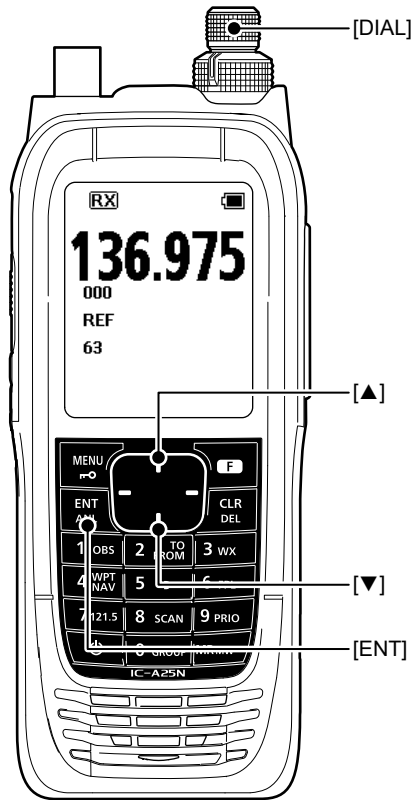
The underlined parts have been updated from the previous version of the addendum, or the original page.

KEY ASSIGNMENTS FOR THE ADJUSTMENT MODE

- Push [▲] to select the next adjustment item, push [▼] to select the previous adjustment item.
- Rotate [DIAL] to set or modify the adjustment value.
- Push [ENT] to store the adjusted value, and select the next adjustment item.

WRITE THE CLONING DATA

After adjusting, write back save the cloning data.



The underlined parts have been updated from the previous version of the addendum, or the original page.

4-2 FREQUENCY AND TRANSMIT ADJUSTMENTS

1. Select an adjustment item by pushing [▲]/[▼].
2. Set or modify the adjustment value as specified by rotating [DIAL], and then push [ENT].

ADJUSTMENT	ADJUSTMENT ITEM		TRANSCIVER'S CONDITION	OPERATION	VALUE	
	NO.	NAME				
REFERENCE FREQUENCY	1	000 REF	<ul style="list-style-type: none"> • Frequency: 136.975 MHz • Transmitting 	<ul style="list-style-type: none"> • Connect the RF power meter to the antenna connector. • Loosely couple the frequency counter to the antenna connector. 	136.975 MHz (±100 Hz)	
TX OUTPUT POWER (at 7.2 V)	1	013 BATT PL	<ul style="list-style-type: none"> • Frequency: 118.000 MHz • Transmitting 	<ul style="list-style-type: none"> • Attach the fully charged battery pack. • Connect the RF power meter to the antenna connector. • No audio applied to [MIC]. 	1.8 W	
	2	014 BATT PM	<ul style="list-style-type: none"> • Frequency: 127.500 MHz • Transmitting 			
	3	015 BATT PH	<ul style="list-style-type: none"> • Frequency: 136.975 MHz • Transmitting 			
TX OUTPUT POWER (at 11.0 V)	1	016 EXT PL	<ul style="list-style-type: none"> • Frequency: 118.000 MHz • Transmitting 	<ul style="list-style-type: none"> • Detach the battery pack. • Connect the DC power supply to [DC 11 V]. • While transmitting, adjust the power supply voltage to 11.0 V. • No audio applied to [MIC]. 	<u>1.8 W</u>	
	2	017 EXT PM	<ul style="list-style-type: none"> • Frequency: 127.500 MHz • Transmitting 			
	3	018 EXT PH	<ul style="list-style-type: none"> • Frequency: 136.975 MHz • Transmitting 			
MODULATION (at 7.2 V)	1	019 BATT 25MML	<ul style="list-style-type: none"> • Frequency: 118.000 MHz • Transmitting 	<ul style="list-style-type: none"> • Disconnect the DC power supply. • Attach the fully charged battery pack. • Connect the modulation analyzer to the antenna connector, through the attenuator, and set it to: <u>HPF:</u> OFF <u>LPF:</u> 20 kHz <u>De-emphasis:</u> OFF <u>Detector:</u> (P-P)/2 • Connect the audio generator to [MIC], and set it to: Frequency: 1 kHz Level: 200 mV rms Waveform: Sine wave 	90% (±2%)	
	2	020 BATT 25MMM	<ul style="list-style-type: none"> • Frequency: 127.500 MHz • Transmitting 			
	3	021 BATT 25MMH	<ul style="list-style-type: none"> • Frequency: 136.975 MHz • Transmitting 			
	4	022 BATT 8MML	<ul style="list-style-type: none"> • Frequency: 118.005 MHz • Transmitting 			
	5	023 BATT 8MMM	<ul style="list-style-type: none"> • Frequency: 127.505 MHz • Transmitting 			
	6	024 BATT MMH	<ul style="list-style-type: none"> • Frequency: 136.980 MHz • Transmitting 			
	7	031 BATT 25NML	<ul style="list-style-type: none"> • Frequency: 118.000 MHz • Transmitting 		Set the audio generator to: Level: 20 mV rms	30% (±5%)
	8	032 BATT 25NMM	<ul style="list-style-type: none"> • Frequency: 127.500 MHz • Transmitting 			
	9	033 BATT 25NMH	<ul style="list-style-type: none"> • Frequency: 136.975 MHz • Transmitting 			
	10	034 BATT 8NML	<ul style="list-style-type: none"> • Frequency: 118.005 MHz • Transmitting 			
	11	035 BATT 8NMM	<ul style="list-style-type: none"> • Frequency: 127.505 MHz • Transmitting 			
	12	036 BATT 8NMH	<ul style="list-style-type: none"> • Frequency: 136.980 MHz • Transmitting 			

The underlined parts have been updated from the previous version of the addendum, or the original page.

4-2 FREQUENCY AND TRANSMIT ADJUSTMENTS (CONTINUED)

1. Select an adjustment item by pushing [▲]/[▼].
2. Set or modify the adjustment value as specified by rotating [DIAL], and then push [ENT].

ADJUSTMENT	ADJUSTMENT ITEM		TRANSCIVER'S CONDITION	OPERATION	VALUE
	NO.	NAME			
MODULATION (at 11.0 V)	1	025 EXT 25MML	• Frequency: 118.000 MHz • Transmitting	<ul style="list-style-type: none"> • Detach the battery pack. • Connect the DC power supply to [DC 11 V]. • While transmitting, adjust the power supply voltage to 11.0 V. • Connect the modulation analyzer to the antenna connector, through the attenuator, and set it to: <ul style="list-style-type: none"> HPF: OFF LPF: 20 kHz De-emphasis: OFF Detector: (P-P)/2 • Connect the audio generator to [MIC], and set it to: <ul style="list-style-type: none"> Frequency: 1 kHz Level: 200 mV rms Waveform: Sine wave 	USA, EXP: 87% (±2%) EUR, AUS: 90% (±2%)
	2	026 EXT 25MMM	• Frequency: 127.500 MHz • Transmitting		
	3	027 EXT 25MMH	• Frequency: 136.975 MHz • Transmitting		
	4	028 EXT 8MML	• Frequency: 118.005 MHz • Transmitting		
	5	029 EXT 8MMM	• Frequency: 127.505 MHz • Transmitting		
	6	030 EXT 8MMH	• Frequency: 136.980 MHz • Transmitting		
	7	037 EXT 25NML	• Frequency: 118.000 MHz • Transmitting	Set the audio generator to: Level: 20 mV rms	30% (±5%)
	8	038 EXT 25NMM	• Frequency: 127.500 MHz • Transmitting		
	9	039 EXT 25NMH	• Frequency: 136.975 MHz • Transmitting		
	10	040 EXT 8NML	• Frequency: 118.005 MHz • Transmitting		
	11	041 EXT 8NMM	• Frequency: 127.505 MHz • Transmitting		
	12	042 EXT 8NMH	• Frequency: 136.980 MHz • Transmitting		

The underlined parts have been updated from the previous version of the addendum, or the original page.

4-3 RECEIVE ADJUSTMENTS

1. Select an adjustment item by pushing [▲]/[▼].
2. Set or modify the adjustment value as specified by rotating [DIAL], and then push [ENT].

ADJUSTMENT	ADJUSTMENT ITEM		TRANSCEIVER'S CONDITION	OPERATION	VALUE	
	NO.	NAME				
RECEIVE SENSITIVITY - AM -	1	044	BPF1	<ul style="list-style-type: none"> • Frequency: IC-A25N: 108.025 MHz IC-A25C: 118.025 MHz • Receiving 	Connect the SSG to the antenna connector, and set <u>it to</u> : Frequency: IC-A25N: 108.025 MHz IC-A25C: 118.025 MHz Modulation: None Level: +10 dBμ [†] (-97 dBm)	Push [ENT] (Automatic adjustment)
	2	045	BPF2	<ul style="list-style-type: none"> • Frequency: 127.500 MHz • Receiving 	Set the SSG to: Frequency: 127.500 MHz Level: +5 dBμ [†] (-102 dBm)	
	3	046	BPF3	<ul style="list-style-type: none"> • Frequency: 136.975 MHz • Receiving 	Set the SSG to: Frequency: 136.975 MHz	
	4	047	BPF4	<ul style="list-style-type: none"> • Frequency: 161.650 MHz • Receiving 	Set the SSG to: Frequency: 161.650 MHz	
	5	048	BPF5	<ul style="list-style-type: none"> • Frequency: 163.275 MHz • Receiving 	Set the SSG to: Frequency: 163.275 MHz	
- FM -						
SQUELCH LEVEL - Wide -	1	050	WSO_S	<ul style="list-style-type: none"> • Frequency: 118.025 MHz • Receiving 	Connect the SSG to the antenna connector, and set <u>it to</u> : Frequency: 118.025 MHz Modulation: None Level: -10 dBμ [†] (-117 dBm)	Push [ENT] (Automatic adjustment)
	2	051	WSC_S		Set the SSG to: Level: -13 dBμ [†] (-120 dBm)	
	3	052	WSO_T		Set the SSG to: Level: +13 dBμ [†] (-94 dBm)	
	4	053	WSC_T		Set the SSG to: Level: +10 dBμ [†] (-97 dBm)	
- Narrow -						
- FM -	5	054	NSO_S	<ul style="list-style-type: none"> • Frequency: 118.030 MHz • Receiving 	Set the SSG to: Level: -10 dBμ [†] (-117 dBm)	
	6	055	NSC_S		Set the SSG to: Level: -13 dBμ [†] (-120 dBm)	
	7	056	NSO_T		Set the SSG to: Level: +13 dBμ [†] (-94 dBm)	
	8	057	NSC_T		Set the SSG to: Level: +10 dBμ [†] (-97 dBm)	
- FM -	9	058	SO_S	<ul style="list-style-type: none"> • Frequency: 162.550 MHz • Receiving 	Set the SSG to: Frequency: 162.550 MHz Level: -10 dBμ [†] (-117 dBm)	
	10	059	SC_S		Set the SSG to: Level: -13 dBμ [†] (-120 dBm)	
	11	060	SO_T		Set the SSG to: Level: +13 dBμ [†] (-94 dBm)	
	12	061	SC_T		Set the SSG to: Level: +10 dBμ [†] (-97 dBm)	
VOR 0° (Only for IC-A25N)	1	063	VOR0	<ul style="list-style-type: none"> • Frequency: 108.000 MHz • Receiving 	Connect the VOR tester to the antenna connector, and set <u>it to</u> : Frequency: 108.000 MHz Level: +47 dBμ [†] (-60 dBm) Modulation: 30 Hz 30% 9960 Hz 30% Bearing: 0°	Push [ENT] (Automatic adjustment)
2nd LO FREQUENCY	1	066	LO	<ul style="list-style-type: none"> • Frequency: 127.510 MHz • Receiving 	Connect the SSG to the antenna connector, and set <u>it to</u> : Frequency: 127.50833 MHz Modulation: None Level: +90 dBμ [†] (-17 dBm)	Push [ENT] (Automatic adjustment)

†The output level of the standard signal generator (SSG) is measured at the load end (PD).

PARTS LIST

The underlined parts have been updated from the previous version of the addendum, or the original page.

[LOGIC UNIT] (for #11, #12, #21, #22, and #31)

[LOGIC UNIT] (for #11, #12, #21, #22, and #31)

REF NO.	PART NO.	DESCRIPTION	M.	H/V LOCATION
IC1	1190004712	S.IC HRM1016-010022	[#11]	T 37.3/13.5
	1190004712	S.IC HRM1016-010022	[#12]	
IC11	1110003790	S.IC NJM2903V-TE1-#FMZB	[#11]	B 17.6/8.1
	1110003790	S.IC NJM2903V-TE1-#FMZB	[#12]	
IC12	1110006470	S.IC LMV324IPWR	[#11]	B 24.1/19.7
	1110006470	S.IC LMV324IPWR	[#12]	
IC13	1110006740	S.IC LMV358IPWR	[#11]	B 8.4/11.0
	1110006740	S.IC LMV358IPWR	[#12]	
IC17	1190004620	S.IC GSU-141A-098A	[#11]	B 23.8/85.9
	1190004620	S.IC GSU-141A-098A	[#12]	
IC27	1140018060	S.IC R5F52108BDLK	[#11]	B 31.0/52.9
	1180004760	S.REG S-1200B33-M5T1U	[#11]	T 18.2/10.2
IC30	1180004760	S.REG S-1200B33-M5T1U	[#12]	
	1180004760	S.REG S-1200B33-M5T1U	[#11]	B 32.5/96.5
IC31	1180004760	S.REG S-1200B33-M5T1U	[#12]	
	1110006490	S.IC LMV321DCKR	[#11]	B 38.6/5.1
IC32	1110006490	S.IC LMV321DCKR	[#12]	
	1180003570	S.REG NJM2830U1-33-TE1-#ZZZB	[#11]	B 39.7/44.0
IC35	1130014260	S.IC SN74LVC2GU04DCKR	[#11]	B 29.0/13.8
	1130014260	S.IC SN74LVC2GU04DCKR	[#12]	
IC36	1130014260	S.IC SN74LVC2GU04DCKR	[#11]	B 40.9/31.9
	1130016621	S.IC GT24C128B-2ZLI-TR	[#11]	B 31.3/68.1
IC37	1130016621	S.IC GT24C128B-2ZLI-TR	[#12]	
	1110007780	S.IC NUJ7704F3-28A-TE1-#ZZZH	[#11]	B 22.4/67.7
IC38	1110007780	S.IC NUJ7704F3-28A-TE1-#ZZZH	[#12]	
	1110007780	S.IC NUJ7704F3-28A-TE1-#ZZZH	[#11]	T 22.1/13.2
IC40	1180005110	S.REG NJM2836DL3-05-TE1	[#11]	B 31.8/35.9
	1180003460	S.REG NJM2831F05-TE1-#ZZZB	[#12]	B 29.1/64.5
Q3	1530004190	S.TRA L2SC4617ST1G	[#11]	B 24.9/72.7
	1590004070	S.TRA LDTC144EET1G	[#12]	T 36.3/21.2
Q5	1590004070	S.TRA LDTC144EET1G	[#11]	B 21.1/12.6
	1530004140	S.TRA L2SC4081RT1G	[#12]	
Q13	1530004140	S.TRA L2SC4081RT1G	[#11]	B 21.1/12.6
	1530004140	S.TRA L2SC4081RT1G	[#12]	
Q15	1590004530	S.TRA DMG564050R	[#11]	B 24.9/29.6
	1590004530	S.TRA DMG564050R	[#12]	
Q16	1590004070	S.TRA LDTC144EET1G	[#11]	B 40.5/11.3
	1590004070	S.TRA LDTC144EET1G	[#12]	
Q17	1590004070	S.TRA LDTC144EET1G	[#11]	T 19.9/17.9
	1590004070	S.TRA LDTC144EET1G	[#12]	
Q22	1530004000	S.TRA 2SC4738-GR (TE85LF)	[#11]	B 32.4/14.2
	1510001100	S.TRA 2SA1832-GR (TE85RF)	[#12]	B 28.1/17.0
Q23	1510001100	S.TRA 2SA1832-GR (TE85RF)	[#11]	B 40.8/28.5
	1510001100	S.TRA 2SA1832-GR (TE85RF)	[#12]	
Q24	1560001730	S.FET RUE002N02 TL	[#11]	B 35.8/29.7
	1510001100	S.TRA 2SA1832-GR (TE85RF)	[#12]	T 14.7/13.5
Q31	1510001100	S.TRA 2SA1832-GR (TE85RF)	[#11]	T 13.4/18.5
	1590004070	S.TRA LDTC144EET1G	[#12]	T 17.2/7.4
Q32	1510001100	S.TRA 2SA1832-GR (TE85RF)	[#11]	T 14.8/15.5
	1590004070	S.TRA LDTC144EET1G	[#12]	
Q33	1590004070	S.TRA LDTC144EET1G	[#11]	T 14.8/15.5
	1590004070	S.TRA LDTC144EET1G	[#12]	
Q34	1590004070	S.TRA LDTC144EET1G	[#11]	T 14.8/15.5
	1590004070	S.TRA LDTC144EET1G	[#12]	
D1	1750001810	S.DIO L1SS400T1G	[#11]	T 5.4/19.4
	1750002220	S.DIO DA6J101K0R	[#12]	T 3.4/16.6
D2	1750001810	S.DIO L1SS400T1G	[#11]	T 3.9/12.1
	1750001810	S.DIO L1SS400T1G	[#12]	
D4	1750001810	S.DIO L1SS400T1G	[#21]	T 3.9/12.1
	1750001810	S.DIO L1SS400T1G	[#22]	
D6	1750001810	S.DIO L1SS400T1G	[#31]	B 11.2/56.2
	1750001810	S.DIO L1SS400T1G	[#12]	
D8	1750001810	S.DIO L1SS400T1G	[#21]	B 32.5/72.5
	1750001810	S.DIO L1SS400T1G	[#22]	B 13.2/6.8
D16	1750001810	S.DIO L1SS400T1G	[#11]	B 17.5/12.6
	1750001810	S.DIO L1SS400T1G	[#12]	
D17	1750001810	S.DIO L1SS400T1G	[#11]	B 17.5/12.6
	1750001810	S.DIO L1SS400T1G	[#12]	
D18	1750001790	S.DIO 1SS390 TE61	[#11]	B 40.7/57.6
	1750001810	S.DIO L1SS400T1G	[#12]	B 26.3/36.4
D34	1750001810	S.DIO L1SS400T1G	[#11]	B 45.0/44.6
	1750001810	S.DIO L1SS400T1G	[#12]	T 17.8/12.6
D35	1750001810	S.DIO L1SS400T1G	[#11]	B 32.5/17.4
	1750001810	S.DIO L1SS400T1G	[#12]	B 36.0/28.1
D46	1750001810	S.DIO L1SS400T1G	[#11]	B 32.5/17.4
	1750001810	S.DIO L1SS400T1G	[#12]	B 36.0/28.1
D47	1750001810	S.DIO L1SS400T1G	[#11]	B 32.5/17.4
	1750001810	S.DIO L1SS400T1G	[#12]	B 36.0/28.1
D48	1750001810	S.DIO L1SS400T1G	[#11]	B 36.0/28.1
	1750001810	S.DIO L1SS400T1G	[#12]	
X1	6050013790	S.XTA CR-981 (19.6608 MHz)		B 39.7/53.9
R3	7030015910	S.RES RMC1/16S-101JTH (100 k)	[#11]	B 33.6/8.2
	7030015910	S.RES RMC1/16S-101JTH (100 k)	[#12]	
R5	7030016020	S.RES RMC1/16S-104JTH (100 k)	[#11]	B 23.5/70.8
	7030016020	S.RES RMC1/16S-104JTH (100 k)	[#12]	B 22.8/70.8
R16	7030015970	S.RES RMC1/16S-103JTH (10 k)	[#11]	B 26.9/73.2
	7030015970	S.RES RMC1/16S-103JTH (10 k)	[#12]	B 28.3/71.6
R17	7030015970	S.RES RMC1/16S-103JTH (10 k)	[#11]	B 28.3/71.6
	7030016160	S.RES RMC1/16S-820JTH (82)	[#12]	T 11.0/35.2
R18	7030015970	S.RES RMC1/16S-103JTH (10 k)	[#11]	T 22.0/35.2
	7030016160	S.RES RMC1/16S-820JTH (82)	[#12]	B 31.8/8.2
R25	7030016160	S.RES RMC1/16S-820JTH (82)	[#11]	B 31.8/8.2
	7030016160	S.RES RMC1/16S-820JTH (82)	[#12]	
R26	7030016160	S.RES RMC1/16S-820JTH (82)	[#11]	B 31.8/8.2
	7030016560	S.RES RMC1/16SJPTH	[#12]	
R28	7030016560	S.RES RMC1/16SJPTH	[#11]	B 22.0/8.4
	7030016340	S.RES RMC1/16S-393JTH (39 k)	[#12]	B 13.3/8.8
R60	7030016340	S.RES RMC1/16S-393JTH (39 k)	[#11]	B 13.3/8.8
	7030016110	S.RES RMC1/16S-473JTH (47 k)	[#12]	B 12.2/8.4
R61	7030016110	S.RES RMC1/16S-473JTH (47 k)	[#11]	B 12.2/8.4
	7030016110	S.RES RMC1/16S-473JTH (47 k)	[#12]	B 11.0/2.3
R62	7030016110	S.RES RMC1/16S-473JTH (47 k)	[#11]	B 11.0/2.3
	7030016020	S.RES RMC1/16S-104JTH (100 k)	[#12]	B 4.5/9.2
R63	7030016330	S.RES RMC1/16S-153JTH (15 k)	[#11]	B 4.5/9.2
	7030016330	S.RES RMC1/16S-153JTH (15 k)	[#12]	
R64	7030015960	S.RES RMC1/16S-472JTH (4.7 k)	[#11]	B 4.5/9.2
	7030015960	S.RES RMC1/16S-472JTH (4.7 k)	[#12]	

REF NO.	PART NO.	DESCRIPTION	M.	H/V LOCATION
R65	7030016040	S.RES RMC1/16S-224JTH (220 k)	[#11]	B 9.2/6.6
	7030016040	S.RES RMC1/16S-224JTH (220 k)	[#12]	
R66	7030016040	S.RES RMC1/16S-224JTH (220 k)	[#11]	B 9.2/5.7
	7030016040	S.RES RMC1/16S-224JTH (220 k)	[#12]	
R67	7030015970	S.RES RMC1/16S-103JTH (10 k)	[#11]	B 5.9/10.2
	7030015970	S.RES RMC1/16S-103JTH (10 k)	[#12]	
R68	7030016200	S.RES RMC1/16S-274JTH (270 k)	[#11]	B 5.9/11.8
	7030016200	S.RES RMC1/16S-274JTH (270 k)	[#12]	
R69	7030016360	S.RES RMC1/16S-123JTH (12 k)	[#11]	B 2.8/14.3
	7030016360	S.RES RMC1/16S-123JTH (12 k)	[#12]	
R72	7030015960	S.RES RMC1/16S-472JTH (4.7 k)	[#11]	B 9.9/15.3
	7030015960	S.RES RMC1/16S-472JTH (4.7 k)	[#12]	
R73	7030015960	S.RES RMC1/16S-472JTH (4.7 k)	[#11]	B 21.7/24.9
	7030015960	S.RES RMC1/16S-472JTH (4.7 k)	[#12]	
R74	7030016040	S.RES RMC1/16S-224JTH (220 k)	[#11]	B 21.7/24.0
	7030016040	S.RES RMC1/16S-224JTH (220 k)	[#12]	
R75	7030016110	S.RES RMC1/16S-473JTH (47 k)	[#11]	B 23.7/24.0
	7030016110	S.RES RMC1/16S-473JTH (47 k)	[#12]	
R76	7030016110	S.RES RMC1/16S-473JTH (47 k)	[#11]	B 22.7/26.4
	7030016110	S.RES RMC1/16S-473JTH (47 k)	[#12]	
R77	7030016040	S.RES RMC1/16S-224JTH (220 k)	[#11]	B 24.8/25.0
	7030016040	S.RES RMC1/16S-224JTH (220 k)	[#12]	
R78	7030015960	S.RES RMC1/16S-472JTH (4.7 k)	[#11]	B 26.5/25.5
	7030015960	S.RES RMC1/16S-472JTH (4.7 k)	[#12]	
R79	7030016120	S.RES RMC1/16S-682JTH (6.8 k)	[#11]	B 24.8/13.4
	7030016120	S.RES RMC1/16S-682JTH (6.8 k)	[#12]	
R80	7030016030	S.RES RMC1/16S-154JTH (150 k)	[#11]	B 26.0/15.4
	7030016030	S.RES RMC1/16S-154JTH (150 k)	[#12]	
R81	7030016290	S.RES RMC1/16S-222JTH (2.2 k)	[#11]	B 23.9/15.0
	7030016290	S.RES RMC1/16S-222JTH (2.2 k)	[#12]	
R82	7030015960	S.RES RMC1/16S-472JTH (4.7 k)	[#11]	B 26.4/13.3
	7030015960	S.RES RMC1/16S-472JTH (4.7 k)	[#12]	
R83	7030016040	S.RES RMC1/16S-224JTH (220 k)	[#11]	B 22.4/15.3
	7030016040	S.RES RMC1/16S-224JTH (220 k)	[#12]	
R84	7030015960	S.RES RMC1/16S-472JTH (4.7 k)	[#11]	B 16.6/18.5
	7030015960	S.RES RMC1/16S-472JTH (4.7 k)	[#12]	
R85	7030016360	S.RES RMC1/16S-123JTH (12 k)	[#11]	B 14.4/21.3
	7030016360	S.RES RMC1/16S-123JTH (12 k)	[#12]	
R86	7030016560	S.RES RMC1/16SJPTH	[#11]	B 15.3/21.3
	7030016560	S.RES RMC1/16SJPTH	[#12]	
R88	7030016000	S.RES RMC1/16S-823JTH (82 k)	[#11]	B 18.2/23.5
	7030016000	S.RES RMC1/16S-823JTH (82 k)	[#12]	
R91	7030016100	S.RES RMC1/16S-334JTH (330 k)	[#11]	B 23.0/10.4
	7030016100	S.RES RMC1/16S-334JTH (330 k)	[#12]	
R93	7030016070	S.RES RMC1/16S-474JTH (470 k)	[#11]	B 21.5/14.4
	7030016070	S.RES RMC1/16S-474JTH (470 k)	[#12]	
R94	7030016450	S.RES RMC1/16S-824JTH (820 k)	[#11]	B 23.0/13.7
	7030016450	S.RES RMC1/16S-824JTH (820 k)	[#12]	
R95	7030016090	S.RES RMC1/16S-223JTH (22 k)	[#11]	B 19.2/13.0
	7030016090	S.RES RMC1/16S-223JTH (22 k)	[#12]	
R112	7030016320	S.RES RMC1/16S-225JTH (2.2 M)	[#11]	B 16.7/11.0
	7030016320	S.RES RMC1/16S-225JTH (2.2 M)	[#12]	
R145	7030016060	S.RES RMC1/16S-105JTH (1 M)	[#11]	T 2.2/13.8
	7030016060	S.RES RMC1/16S-105JTH (1 M)	[#12]	T 2.7/14.8
R146	7030016060	S.RES RMC1/16S-105JTH (1 M)	[#11]	T 5.6/13.8
	7030016060	S.RES RMC1/16S-105JTH (1 M)	[#12]	T 4.1/9.3
R147	7030016060	S.RES RMC1/16S-105JTH (1 M)	[#11]	T 3.4/9.3
	7030016060	S.RES RMC1/16S-105JTH (1 M)	[#12]	T 3.8/24.7
R148	7030016060	S.RES RMC1/16S-105JTH (1 M)	[#11]	T 3.8/24.7
	7510001661	S.THR NTCG16 4LH 473JT	[#12]	T 36.8/25.5
R151				

The underlined parts have been updated from the previous version of the addendum, or the original page.

[LOGIC UNIT] (for #11, #12, #21, #22, and #31)

[LOGIC UNIT] (for #11, #12, #21, #22, and #31)

REF NO.	PART NO.	DESCRIPTION	M.	H/V LOCATION
R875	7030016190	S.RES RMC1/16S-273JTH (27 k)	[#11]	B 40.8/4.3
	7030016190	S.RES RMC1/16S-273JTH (27 k)	[#12]	
R876	7030016160	S.RES RMC1/16S-820JTH (82)	T	33.0/35.2
R878	7030015920	S.RES RMC1/16S-221JTH (220)	T	13.2/14.6
R879	7030016020	S.RES RMC1/16S-104JTH (100 k)	[#11]	B 41.3/5.5
	7030016020	S.RES RMC1/16S-104JTH (100 k)	[#12]	
R881	7030016110	S.RES RMC1/16S-473JTH (47 k)	B	27.9/18.5
R882	7030015970	S.RES RMC1/16S-103JTH (10 k)	B	29.6/16.9
R883	7030016380	S.RES RMC1/16S-183JTH (18 k)	B	30.9/17.3
R884	7030016360	S.RES RMC1/16S-123JTH (12 k)	B	30.9/14.1
R885	7030015970	S.RES RMC1/16S-103JTH (10 k)	B	39.2/28.6
R886	7030016380	S.RES RMC1/16S-183JTH (18 k)	B	38.0/28.1
R887	7030016560	S.RES RMC1/16SJPTH	B	38.0/30.2
R888	7030015970	S.RES RMC1/16S-103JTH (10 k)	B	42.8/31.9
R901	7030014460	S.RES MCR006YZPJ 101 (100)	B	30.3/43.5
R902	7030014460	S.RES MCR006YZPJ 101 (100)	B	23.5/43.3
R903	7030014460	S.RES MCR006YZPJ 101 (100)	B	30.2/61.4
R906	7030014460	S.RES MCR006YZPJ 101 (100)	B	23.5/62.3
R907	7030014460	S.RES MCR006YZPJ 101 (100)	B	39.2/50.1
R908	7030016060	S.RES RMC1/16S-105JTH (1 M)	B	37.1/52.9
R909	7030016150	S.RES RMC1/16S-100JTH (10)	B	35.8/53.0
R910	7030016360	S.RES RMC1/16S-123JTH (12 k)	B	39.3/57.6
R911	7030016090	S.RES RMC1/16S-223JTH (22 k)	B	39.3/56.7
R912	7030016360	S.RES RMC1/16S-123JTH (12 k)	B	42.0/58.4
R913	7030015960	S.RES RMC1/16S-472JTH (4.7 k)	B	26.0/67.7
R914	7030016020	S.RES RMC1/16S-104JTH (100 k)	B	25.0/68.2
R917	7030016020	S.RES RMC1/16S-104JTH (100 k)	T	24.1/21.2
R920	7030016020	S.RES RMC1/16S-104JTH (100 k)	T	23.7/20.0
R925	7030015970	S.RES RMC1/16S-103JTH (10 k)	B	44.4/52.9
R926	7030016560	S.RES RMC1/16SJPTH	[#11]	B 9.9/16.2
	7030016560	S.RES RMC1/16SJPTH	[#12]	
R927	7030016560	S.RES RMC1/16SJPTH	[#11]	B 20.7/15.3
	7030016560	S.RES RMC1/16SJPTH	[#12]	
R928	7030016560	S.RES RMC1/16SJPTH	[#11]	B 21.3/26.2
	7030016560	S.RES RMC1/16SJPTH	[#12]	
R929	7030014460	S.RES MCR006YZPJ 101 (100)	[#11]	B 24.6/50.9
	7030014460	S.RES MCR006YZPJ 101 (100)	[#12]	
R930	7030014460	S.RES MCR006YZPJ 101 (100)	[#11]	B 24.0/51.9
	7030014460	S.RES MCR006YZPJ 101 (100)	[#12]	
R931	7030016020	S.RES RMC1/16S-104JTH (100 k)	B	23.8/49.3
R932	7030016020	S.RES RMC1/16S-104JTH (100 k)	B	23.4/50.0
R933	7030015970	S.RES RMC1/16S-103JTH (10 k)	B	22.1/69.6
R934	7030015960	S.RES RMC1/16S-472JTH (4.7 k)	B	26.0/69.8
R935	7030015960	S.RES RMC1/16S-472JTH (4.7 k)	B	35.3/54.5
R937	7030016560	S.RES RMC1/16SJPTH	B	30.3/27.6
R940	7030016020	S.RES RMC1/16S-104JTH (100 k)	B	28.4/61.3
R943	7030016020	S.RES RMC1/16S-104JTH (100 k)	B	35.6/44.1
R944	7030016020	S.RES RMC1/16S-104JTH (100 k)	B	36.5/47.0
R945	7030016020	S.RES RMC1/16S-104JTH (100 k)	[#11]	B 19.2/86.6
	7030016020	S.RES RMC1/16S-104JTH (100 k)	[#12]	
R946	7030016020	S.RES RMC1/16S-104JTH (100 k)	[#11]	B 20.3/79.6
	7030016020	S.RES RMC1/16S-104JTH (100 k)	[#12]	
R947	7030016020	S.RES RMC1/16S-104JTH (100 k)	[#11]	T 15.9/9.8
	7030016020	S.RES RMC1/16S-104JTH (100 k)	[#12]	
R949	7030016020	S.RES RMC1/16S-104JTH (100 k)	T	21.1/21.2
R952	7030016020	S.RES RMC1/16S-104JTH (100 k)	T	17.7/26.7
R962	7030016020	S.RES RMC1/16S-104JTH (100 k)	[#11]	B 39.1/7.1
	7030016020	S.RES RMC1/16S-104JTH (100 k)	[#12]	
R963	7030016210	S.RES RMC1/16S-121JTH (120)	T	13.2/16.2
R964	7030014400	S.RES MCR006YZPJ 100 (10)	B	28.6/60.4
R965	7030014400	S.RES MCR006YZPJ 100 (10)	B	30.9/59.6
R966	7030014400	S.RES MCR006YZPJ 100 (10)	B	43.4/58.4
R967	7030014400	S.RES MCR006YZPJ 100 (10)	B	34.7/47.9
R968	7030014400	S.RES MCR006YZPJ 100 (10)	B	37.3/49.9
R969	7030014400	S.RES MCR006YZPJ 100 (10)	B	37.3/51.8
R970	7030014400	S.RES MCR006YZPJ 100 (10)	B	26.0/66.3
R971	7030014400	S.RES MCR006YZPJ 100 (10)	B	25.0/66.8
R972	7030014400	S.RES MCR006YZPJ 100 (10)	B	34.6/44.5
R973	7030014400	S.RES MCR006YZPJ 100 (10)	B	35.6/47.1
R974	7030014400	S.RES MCR006YZPJ 100 (10)	B	23.5/47.8
R975	7030014400	S.RES MCR006YZPJ 100 (10)	B	29.3/47.9
R976	7030014400	S.RES MCR006YZPJ 100 (10)	B	28.7/47.9
R977	7030014400	S.RES MCR006YZPJ 100 (10)	B	27.5/47.9
R978	7030014400	S.RES MCR006YZPJ 100 (10)	B	26.0/50.9
R979	7030014400	S.RES MCR006YZPJ 100 (10)	B	33.0/44.0
R980	7030014400	S.RES MCR006YZPJ 100 (10)	B	39.4/51.5
R981	7030014400	S.RES MCR006YZPJ 100 (10)	B	26.0/48.8
R982	7030014400	S.RES MCR006YZPJ 100 (10)	B	28.1/47.9
R983	7030014400	S.RES MCR006YZPJ 100 (10)	B	26.3/47.9
R984	7030014400	S.RES MCR006YZPJ 100 (10)	B	24.1/55.7
R985	7030014400	S.RES MCR006YZPJ 100 (10)	B	37.3/50.6
R986	7030014400	S.RES MCR006YZPJ 100 (10)	B	37.3/49.1
R987	7030014400	S.RES MCR006YZPJ 100 (10)	B	33.1/47.9
R988	7030014400	S.RES MCR006YZPJ 100 (10)	B	37.3/48.5
R989	7030014400	S.RES MCR006YZPJ 100 (10)	B	32.3/47.9
R990	7030014400	S.RES MCR006YZPJ 100 (10)	B	26.0/51.8
R991	7030014400	S.RES MCR006YZPJ 100 (10)	B	26.0/53.0
R992	7030014400	S.RES MCR006YZPJ 100 (10)	B	26.0/52.4
R993	7030014400	S.RES MCR006YZPJ 100 (10)	B	33.5/46.2
R994	7030014400	S.RES MCR006YZPJ 100 (10)	B	28.9/57.7
R995	7030014400	S.RES MCR006YZPJ 100 (10)	B	23.7/58.8
R996	7030014400	S.RES MCR006YZPJ 100 (10)	B	29.0/44.3
R997	7030014400	S.RES MCR006YZPJ 100 (10)	B	28.4/43.5
R998	7030014400	S.RES MCR006YZPJ 100 (10)	B	34.5/46.2
R999	7030014380	S.RES MCR006YZPJ 103 (10 k)	B	31.3/42.9
R1000	7030014400	S.RES MCR006YZPJ 100 (10)	B	26.0/42.5
R1001	7030014400	S.RES MCR006YZPJ 100 (10)	B	26.7/42.5
R1002	7030014400	S.RES MCR006YZPJ 100 (10)	B	26.9/47.9
R1003	7030014400	S.RES MCR006YZPJ 100 (10)	B	26.0/50.0
R1004	7030014400	S.RES MCR006YZPJ 100 (10)	B	37.3/47.9
R1005	7030014400	S.RES MCR006YZPJ 100 (10)	B	32.7/46.2
R1006	7030014380	S.RES MCR006YZPJ 103 (10 k)	B	31.5/47.9

REF NO.	PART NO.	DESCRIPTION	M.	H/V LOCATION
R1007	7030014400	S.RES MCR006YZPJ 100 (10)	B	24.1/47.2
R1008	7030014400	S.RES MCR006YZPJ 100 (10)	B	26.0/49.4
R1009	7030014400	S.RES MCR006YZPJ 100 (10)	B	33.1/46.2
R1010	7030014400	S.RES MCR006YZPJ 100 (10)	B	33.9/47.9
R1011	7030014400	S.RES MCR006YZPJ 100 (10)	B	31.9/46.2
R1012	7030014400	S.RES MCR006YZPJ 100 (10)	B	35.5/57.6
R1013	7030014400	S.RES MCR006YZPJ 100 (10)	B	34.7/57.9
R1014	7030014400	S.RES MCR006YZPJ 100 (10)	B	33.8/57.9
R1015	7030014400	S.RES MCR006YZPJ 100 (10)	B	32.2/57.7
R1016	7030014400	S.RES MCR006YZPJ 100 (10)	B	31.6/57.7
R1017	7030014400	S.RES MCR006YZPJ 100 (10)	B	31.0/57.7
R1018	7030014400	S.RES MCR006YZPJ 100 (10)	B	29.5/57.7
R1019	7030014400	S.RES MCR006YZPJ 100 (10)	B	24.1/58.1
R1020	7030014400	S.RES MCR006YZPJ 100 (10)	B	24.1/57.5
R1021	7030014400	S.RES MCR006YZPJ 100 (10)	B	35.0/59.5
R1022	7030014400	S.RES MCR006YZPJ 100 (10)	B	32.2/59.5
R1023	7030014400	S.RES MCR006YZPJ 100 (10)	B	31.6/59.6
R1024	7030014400	S.RES MCR006YZPJ 100 (10)	B	30.1/58.8
R1025	7030014400	S.RES MCR006YZPJ 100 (10)	B	28.0/57.3
R1026	7030014400	S.RES MCR006YZPJ 100 (10)	B	24.1/56.9
R1027	7030014400	S.RES MCR006YZPJ 100 (10)	B	37.7/58.5
R1028	7030014400	S.RES MCR006YZPJ 100 (10)	B	34.3/59.5
R1029	7030014400	S.RES MCR006YZPJ 100 (10)	B	33.2/60.1
R1030	7030014400	S.RES MCR006YZPJ 100 (10)	B	28.5/62.4
R1031	7030014400	S.RES MCR006YZPJ 100 (10)	B	44.3/55.4
R1032	7030014400	S.RES MCR006YZPJ 100 (10)	B	36.8/57.8
R1033	7030014400	S.RES MCR006YZPJ 100 (10)	B	34.3/61.9
R1034	7030014400	S.RES MCR006YZPJ 100 (10)	B	31.6/62.0
R1035	7030014400	S.RES MCR006YZPJ 100 (10)	B	30.4/57.7
R1036	7030014400	S.RES MCR006YZPJ 100 (10)	B	20.6/63.1
R1037	7030014390	S.RES MCR006YZPJ 102 (1 k)	B	24.1/56.3
R1038	7030014400	S.RES MCR006YZPJ 100 (10)	B	24.1/55.1
R1039	7030014390	S.RES MCR006YZPJ 102 (1 k)	B	26.0/54.7
R1040	7030014400	S.RES MCR006YZPJ 100 (10)	B	44.9/55.4
R1041	7030014400	S.RES MCR006YZPJ 100 (10)	B	29.1/54.3
R1042	7030014400	S.RES MCR006YZPJ 100 (10)	B	26.0/53.9
R1043	7030014400	S.RES MCR006YZPJ 100 (10)	B	24.1/53.5
R1044	7030014400	S.RES MCR006YZPJ 100 (10)	B	20.7/68.3
R1045	7030014400	S.RES MCR006YZPJ 100 (10)	B	43.9/52.0
R1046	7030014400	S.RES MCR006YZPJ 100 (10)	B	23.5/61.7
R1047	7030014400	S.RES MCR006YZPJ 100 (10)	B	44.0/51.6
R1050	7030014400	S.RES MCR006YZPJ 100 (10)	B	24.1/46.4
R1053	7030015970	S.RES RMC1/16S-103JTH (10 k)	T	14.7/11.9
R1054	7030015970	S.RES RMC1/16S-103JTH (10 k)	T	15.0/18.6
R1055	7030015970	S.RES RMC1/16S-103JTH (10 k)	T	15.0/10.2
R1056	7030015970	S.RES RMC1/16S-103JTH (10 k)	T	14.6/17.0
R1057	7030016150	S.RES RMC1/16S-100JTH (10)	B	41.0/40.6
R1059	7030016560	S.RES RMC1/16SJPTH	[#11]	B 29.7/96.2
	7030016560	S.RES RMC1/16SJPTH	[#12]	
R1060	7030016560	S.RES RMC1/16SJPTH	[#11]	T 16.6/13.6
	7030016560	S.RES RMC1/16SJPTH	[#12]	
R1061	7210003820	VAR TP76D1190E20-20.5F -10KB-3699		
R1062	7030016560	S.RES RMC1/16SJPTH	B	40.3/89.6
R1063	7030015970	S.RES RMC1/16S-103JTH (10 k)	[#11]	T 21.8/15.1
	7030015970	S.RES RMC1/16S-103JTH (10 k)	[#12]	
R1064	7030016560	S.RES RMC1/16SJPTH	T	13.7/4.9
R1065	7030016560	S.RES RMC1/16SJPTH	T	13.7/7.7
R1066	7030016560	S.RES RMC1/16SJPTH	T	11.3/3.6
R1067	7030016560	S.RES RMC1/16SJPTH	T	12.6/10.5
R1068	7030016560	S.RES RMC1/16SJPTH	T	10.3/3.6
R1069	7030016560	S.RES RMC1/16SJPTH	T	5.6/21.3
R1070	7030016560	S.RES RMC1/16SJPTH	T	9.4/4.5
R1071	7030016560	S.RES RMC1/16SJPTH	T	5.4/17.4
R1072	7030016560	S.RES RMC1/16SJPTH	T	8.2/3.9
R1073	7030016560	S.RES RMC1/16SJPTH	T	13.7/6.7
R1074	7030016020	S.RES RMC1/16S-104JTH (100 k)	B	28.5/46.5
R1075	7030014400	S.RES MCR006YZPJ 100 (10)	B	37.3/51.2
R1076	7030014400	S.RES MCR006YZPJ 100 (10)	B	30.9/47.9
R1077	7030016560	S.RES RMC1/16SJPTH	[#11]	T 32.4/20.7
	7030016560	S.RES RMC1/16SJPTH	[#12]	
R1078	7030016090	S.RES RMC1/16S-223JTH (22 k)	B	30.9/16.4
R1079	7030016290	S.RES RMC1/16S-222JTH (2.2 k)	B	38.0/29.0
R1081	7030016060	S.RES RMC1/16S-105JTH (1 M)	B	33.5/63.6
R1082	7030016050	S.RES RMC1/16S-102JTH (1 k)	B	36.6/42.0
R1083	7030016110	S.RES RMC1/16S-473JTH (47 k)	B	23.2/46.4
R1084	7410001340	S.ARR EXB28V47J3X		
R1085				

The underlined parts have been updated from the previous version of the addendum, or the original page.

[LOGIC UNIT] (for #11, #12, #21, #22, and #31)

REF NO.	PART NO.	DESCRIPTION	M.	H/V LOCATION
C5	4030021240	S.CER C1005 JB 1C 105K-T	[#11] B	32.7/8.2
	4030021240	S.CER C1005 JB 1C 105K-T	[#12] B	32.7/8.2
C6	4030021240	S.CER C1005 JB 1C 105K-T	[#11] B	30.6/8.7
	4030021240	S.CER C1005 JB 1C 105K-T	[#12] B	30.6/8.7
C7	4030021240	S.CER C1005 JB 1C 105K-T	[#11] B	33.2/9.4
	4030021240	S.CER C1005 JB 1C 105K-T	[#12] B	33.2/9.4
C8	4030023090	S.CER 0402B102K500CT	[#11] B	24.7/70.4
C16	4030023090	S.CER 0402B102K500CT	[#11] T	18.3/17.9
	4030023090	S.CER 0402B102K500CT	[#12] B	18.3/17.9
C18	4030022640	S.CER 0402N101J500CT	[#11] B	28.5/7.3
	4030022640	S.CER 0402N101J500CT	[#12] B	28.5/7.3
C20	4030023090	S.CER 0402B102K500CT	[#11] B	24.7/71.3
C21	4030022540	S.CER 0402N3R0B500CT	[#11] B	27.6/7.3
	4030022540	S.CER 0402N3R0B500CT	[#12] B	27.6/7.3
C22	4030023090	S.CER 0402B102K500CT	[#11] B	27.4/72.0
C25	4030023010	S.CER 0402B104K160CT	[#11] B	29.0/28.1
C31	4030023010	S.CER 0402B104K160CT	[#11] B	25.7/34.5
C101	4030023090	S.CER 0402B102K500CT	[#11] B	13.8/10.1
	4030023090	S.CER 0402B102K500CT	[#12] B	13.8/10.1
C102	4030023200	S.CER 0402B471K500CT	[#11] B	14.2/5.5
	4030023200	S.CER 0402B471K500CT	[#12] B	14.2/5.5
C103	4030019560	S.CER GRM21BB31C106KE15L	[#11] B	19.9/24.7
	4030019560	S.CER GRM21BB31C106KE15L	[#12] B	19.9/24.7
C104	4030019560	S.CER GRM21BB31C106KE15L	[#11] B	22.1/27.9
	4030019560	S.CER GRM21BB31C106KE15L	[#12] B	22.1/27.9
C105	4030019560	S.CER GRM21BB31C106KE15L	[#11] B	21.3/31.5
	4030019560	S.CER GRM21BB31C106KE15L	[#12] B	21.3/31.5
C106	4030019560	S.CER GRM21BB31C106KE15L	[#11] B	21.3/29.7
	4030019560	S.CER GRM21BB31C106KE15L	[#12] B	21.3/29.7
C107	4030022940	S.CER 0402B104K100CT	[#11] B	26.5/24.6
	4030022940	S.CER 0402B104K100CT	[#12] B	26.5/24.6
C108	4030023090	S.CER 0402B102K500CT	[#11] B	24.8/15.0
	4030023090	S.CER 0402B102K500CT	[#12] B	24.8/15.0
C109	4030023090	S.CER 0402B102K500CT	[#11] B	26.0/14.5
	4030023090	S.CER 0402B102K500CT	[#12] B	26.0/14.5
C111	4550007300	S.TAN F931A335MAABMA	[#11] B	14.4/24.7
	4550007300	S.TAN F931A335MAABMA	[#12] B	14.4/24.7
C112	4550008210	S.TAN 267M3502 104MR	[#11] B	20.3/20.1
	4550008210	S.TAN 267M3502 104MR	[#12] B	20.3/20.1
C113	4550008210	S.TAN 267M3502 104MR	[#11] B	18.2/20.1
	4550008210	S.TAN 267M3502 104MR	[#12] B	18.2/20.1
C114	4550008210	S.TAN 267M3502 104MR	[#11] B	8.0/2.0
	4550008210	S.TAN 267M3502 104MR	[#12] B	8.0/2.0
C115	4550008210	S.TAN 267M3502 104MR	[#11] B	8.0/4.1
	4550008210	S.TAN 267M3502 104MR	[#12] B	8.0/4.1
C116	4030023090	S.CER 0402B102K500CT	[#11] B	11.2/15.0
	4030023090	S.CER 0402B102K500CT	[#12] B	11.2/15.0
C121	4030023030	S.CER 0402B103K250CT	[#11] B	23.0/12.0
	4030023030	S.CER 0402B103K250CT	[#12] B	23.0/12.0
C122	4030019560	S.CER GRM21BB31C106KE15L	[#11] B	18.8/11.0
	4030019560	S.CER GRM21BB31C106KE15L	[#12] B	18.8/11.0
C123	4030023090	S.CER 0402B102K500CT	[#11] B	24.6/31.5
C125	4550007520	S.TAN F931A106MAABMA	[#11] B	4.4/12.2
	4550007520	S.TAN F931A106MAABMA	[#12] B	4.4/12.2
C155	4030023090	S.CER 0402B102K500CT	[#11] T	11.8/2.4
C156	4030023090	S.CER 0402B102K500CT	[#11] T	13.5/10.5
C157	4030023090	S.CER 0402B102K500CT	[#11] T	13.7/4.0
C158	4030023090	S.CER 0402B102K500CT	[#11] T	14.1/8.9
C159	4030023090	S.CER 0402B102K500CT	[#11] T	9.9/2.4
C161	4030023090	S.CER 0402B102K500CT	[#11] T	35.9/25.5
C600	4030023030	S.CER 0402B103K250CT	[#11] B	21.5/10.8
	4030023030	S.CER 0402B103K250CT	[#12] B	21.5/10.8
C629	4030023010	S.CER 0402B104K160CT	[#11] B	24.8/26.6
	4030023010	S.CER 0402B104K160CT	[#12] B	24.8/26.6
C630	4030022640	S.CER 0402N101J500CT	[#11] B	19.3/90.9
	4030022640	S.CER 0402N101J500CT	[#12] B	19.3/90.9
C631	4050000380	S.FEE NFM15PC104R1A3D	[#11] B	18.2/89.2
	4050000380	S.FEE NFM15PC104R1A3D	[#12] B	18.2/89.2
C632	4050000380	S.FEE NFM15PC104R1A3D	[#11] B	33.6/94.1
	4050000380	S.FEE NFM15PC104R1A3D	[#12] B	33.6/94.1
C633	4030019560	S.CER GRM21BB31C106KE15L	[#11] B	33.7/92.4
	4030019560	S.CER GRM21BB31C106KE15L	[#12] B	33.7/92.4
C634	4030023090	S.CER 0402B102K500CT	[#11] B	32.6/94.0
	4030023090	S.CER 0402B102K500CT	[#12] B	32.6/94.0
C637	4030023090	S.CER 0402B102K500CT	[#11] B	28.7/88.4
	4030023090	S.CER 0402B102K500CT	[#12] B	28.7/88.4
C638	4030023090	S.CER 0402B102K500CT	[#11] B	19.2/84.1
	4030023090	S.CER 0402B102K500CT	[#12] B	19.2/84.1
C639	4030023090	S.CER 0402B102K500CT	[#11] B	22.5/79.2
	4030023090	S.CER 0402B102K500CT	[#12] B	22.5/79.2
C640	4030023090	S.CER 0402B102K500CT	[#11] B	29.9/87.9
	4030023090	S.CER 0402B102K500CT	[#12] B	29.9/87.9
C641	4030023090	S.CER 0402B102K500CT	[#11] B	18.3/84.1
	4030023090	S.CER 0402B102K500CT	[#12] B	18.3/84.1
C642	4030023090	S.CER 0402B102K500CT	[#11] B	19.6/78.7
	4030023090	S.CER 0402B102K500CT	[#12] B	19.6/78.7
C643	4050000380	S.FEE NFM15PC104R1A3D	[#11] T	20.1/13.2
	4050000380	S.FEE NFM15PC104R1A3D	[#12] T	20.1/13.2
C645	4030021240	S.CER C1005 JB 1C 105K-T	[#11] B	36.3/10.2
	4030021240	S.CER C1005 JB 1C 105K-T	[#12] B	36.3/10.2
C648	4030022540	S.CER 0402N3R0B500CT	[#11] T	25.0/16.5
	4030022540	S.CER 0402N3R0B500CT	[#12] T	25.0/16.5
C649	4030022540	S.CER 0402N3R0B500CT	[#11] T	23.6/18.8
	4030022540	S.CER 0402N3R0B500CT	[#12] T	23.6/18.8
C650	4030023010	S.CER 0402B104K160CT	[#11] B	40.4/5.5
	4030023010	S.CER 0402B104K160CT	[#12] B	40.4/5.5
C651	4030019560	S.CER GRM21BB31C106KE15L	[#11] B	36.7/7.1
	4030019560	S.CER GRM21BB31C106KE15L	[#12] B	36.7/7.1
C652	4030022640	S.CER 0402N101J500CT	[#11] B	39.0/3.3
	4030022640	S.CER 0402N101J500CT	[#12] B	39.0/3.3
C653	4030023010	S.CER 0402B104K160CT	[#11] B	42.2/5.1
	4030023010	S.CER 0402B104K160CT	[#12] B	42.2/5.1

Eqv.= This component is equivalent to the REF No. component listed above, and may be substituted on parts orders and repairs.

[LOGIC UNIT] (for #11, #12, #21, #22, and #31)

REF NO.	PART NO.	DESCRIPTION	M.	H/V LOCATION
C654	4030023090	S.CER 0402B102K500CT	[#11] B	41.3/89.6
C655	4030023090	S.CER 0402B102K500CT	[#12] B	39.3/89.6
C656	4030023090	S.CER 0402B102K500CT	[#11] B	38.3/89.7
C657	4030023090	S.CER 0402B102K500CT	[#12] B	42.3/89.6
C659	4030023010	S.CER 0402B104K160CT	[#11] B	28.6/10.3
C660	4030023010	S.CER 0402B104K160CT	[#12] B	34.2/30.5
C661	4030019560	S.CER GRM21BB31C106KE15L	[#11] B	43.4/44.6
C662	4030021520	S.CER GRM31CB31H106KA12L	[#11] T	31.4/24.4
C663	4030021520	S.CER GRM31CB31H106KA12L	[#12] T	32.4/28.2
C664	4030021520	S.CER GRM31CB31H106KA12L	[#11] T	32.4/30.4
C666	4030023010	S.CER 0402B104K160CT	[#11] T	33.3/22.3
C667	4030023010	S.CER 0402B104K160CT	[#12] T	33.7/23.8
C669	4030022630	S.CER 0402N100C500CT	[#11] B	37.1/54.5
C670	4030022520	S.CER 0402N1R0B500CT	[#11] B	42.0/53.9
C671	4030022640	S.CER 0402N101J500CT	[#11] B	42.1/56.8
C672	4030023010	S.CER 0402B104K160CT	[#11] B	39.3/58.5
C674	4030023030	S.CER 0402B103K250CT	[#11] B	26.9/68.8
C677	4030022940	S.CER 0402B104K100CT	[#11] B	27.5/43.2
C678	4030023090	S.CER 0402B102K500CT	[#11] B	31.5/41.9
C679	4030023090	S.CER 0402B102K500CT	[#12] B	37.1/56.1
C680	4030023090	S.CER 0402B102K500CT	[#11] B	36.2/56.2
C681	4030022940	S.CER 0402B104K100CT	[#11] B	35.3/56.2
C682	4030023000	S.CER 0402B683K100CT	[#11] B	22.8/65.8
C683	4030022940	S.CER 0402B104K100CT	[#11] B	24.1/68.2
C684	4030023010	S.CER 0402B104K160CT	[#11] B	36.2/54.5
C687	4030023010	S.CER 0402B104K160CT	[#11] B	25.2/36.6
C688	4030019560	S.CER GRM21BB31C106KE15L	[#11] B	23.8/36.4
C689	4030023090	S.CER 0402B102K500CT	[#11] B	29.0/27.2
C693	4030022940	S.CER 0402B104K100CT	[#11] T	16.4/15.5
C694	4030023090	S.CER 0402B102K500CT	[#11] B	18.8/82.1
	4030023090	S.CER 0402B102K500CT	[#12] B	18.8/82.1
C695	4030023010	S.CER 0402B104K160CT	[#11] T	18.8/7.4
C696	4030023010	S.CER 0402B104K160CT	[#11] T	15.9/11.4
C698	4030023010	S.CER 0402B104K160CT	[#11] B	39.9/47.0
C699	4030023010	S.CER 0402B104K160CT	[#11] B	43.2/42.2
C700	4030023090	S.CER 0402B102K500CT	[#11] B	44.2/42.2
C701	4030023090	S.CER 0402B102K500CT	[#11] B	25.7/33.6
C703	4030023000	S.CER 0402B683K100CT	[#11] T	21.7/11.2
	4030023000	S.CER 0402B683K100CT	[#12] T	21.7/11.2
C704	4030023090	S.CER 0402B102K500CT	[#11] T	22.8/17.0
	4030023090	S.CER 0402B102K500CT	[#12] T	22.8/17.0
C705	4030023090	S.CER 0402B102K500CT	[#11] T	24.9/13.7
	4030023090	S.CER 0402B102K500CT	[#12] T	24.9/13.7
C708	4030023090	S.CER 0402B102K500CT	[#11] T	26.6/20.9
C709	4030021240	S.CER C1005 JB 1C 105K-T	[#11] B	36.3/4.4
	4030021240	S.CER C1005 JB 1C 105K-T	[#12] B	36.3/4.4
C711	4030023090	S.CER 0402B102K500CT	[#11] B	39.1/33.8
C712	4030022920	S.CER 0402N820J500CT	[#11] B	31.1/45.6
C713	4030022920	S.CER 0402N820J500CT	[#11] B	24.5/42.4
C714	4030020000	S.CER C1005 JB 1A 105K-T	[#11] B	21.3/65.3
C715	4030023820	S.CER 0603B104K250CT	[#11] B	26.7/63.6
C716	4030023210	S.CER 0402B472K500CT	[#11] B	34.1/64.8
C717	4030023210	S.CER 0402B472K500CT	[#11] B	26.9/58.1
C718	4030023210	S.CER 0402B472K500CT	[#11] B	31.5/27.6
C719	4030023210	S.CER 0402B472K500CT	[#11] B	40.0/18.9
C720	4550008210	S.TAN 267M3502 104MR	[#11] B	5.8/15.6
	4550008210	S.TAN 267M3502 104MR	[#12] B	5.8/15.6
C721	4550008210	S.TAN 267M3502 104MR	[#11] B	9.1/20.4
	4550008210	S.TAN 267M3502 104MR	[#12] B	9.1/20.4
C722	4030021240	S.CER C1005 JB 1C 105K-T	[#11] B	34.5/15.4
	4030021240	S.CER C1005 JB 1C 105K-T	[#12] B	34.5/15.4
C723	4030021240	S.CER C1005 JB 1C 105K-T	[#11] B	26.5/72.0
C724	4030023090	S.CER 0402B102K500CT	[#11] B	35.9/58.6
J1	6510030220	S.CON 50RF-JMCS-G-1B-TF (N) (LF) (SN)	[#11] B	35.5/23.0
J2				

The underlined parts have been updated from the previous version of the addendum, or the original page.

[MAIN UNIT] (for #11, #12, #21, #22, and #31)

[MAIN UNIT] (for #11, #12, #21, #22, and #31)

Table with columns: REF NO., PART NO., DESCRIPTION, M., H/V LOCATION. Rows include components like NJM2552V-TE1-#ZZZB, TC7W53FK (TE85LF), LMC321IDCKR, etc.

Table with columns: REF NO., PART NO., DESCRIPTION, M., H/V LOCATION. Rows include components like 1SV308L3F, L1SS400T1G, 1SV323H3F, etc.

Eqv.= This component is equivalent to the REF No. component listed above, and may be substituted on parts orders and repairs.

M.= Mounted side (T: Mounted on the Top side, B: Mounted on the Bottom side) H/V LOCATION=See the BOARD LAYOUTS for details.

The underlined parts have been updated from the previous version of the addendum, or the original page.

[MAIN UNIT] (for #11, #12, #21, #22, and #31)

[MAIN UNIT] (for #11, #12, #21, #22, and #31)

REF NO.	PART NO.	DESCRIPTION	M.	H/V LOCATION
R2	7030015780	S.RES RMC1/10-331JTP (330)	T	12.3/107.0
R3	7030016090	S.RES RMC1/16S-223JTH (22 k)	T	9.5/67.1
R4	7030015910	S.RES RMC1/16S-101JTH (100)	T	9.9/66.2
R5	7030016020	S.RES RMC1/16S-104JTH (100 k)	T	6.8/71.8
R7	7030016290	S.RES RMC1/16S-222JTH (2.2 k)	T	14.6/104.2
R8	7030016290	S.RES RMC1/16S-222JTH (2.2 k)	T	13.5/97.2
R9	7030015780	S.RES RMC1/10-331JTP (330)	T	12.2/105.2
R10	7030015930	S.RES RMC1/16S-471JTH (470)	T	6.0/74.2
R11	7030016290	S.RES RMC1/16S-222JTH (2.2 k)	T	6.8/70.9
R12	7030016290	S.RES RMC1/16S-222JTH (2.2 k)	T	9.0/70.9
R13	7030016090	S.RES RMC1/16S-223JTH (22 k)	T	8.0/72.2
R14	7030015960	S.RES RMC1/16S-472JTH (4.7 k)	T	6.5/81.4
R15	7030015910	S.RES RMC1/16S-101JTH (100)	T	9.0/81.3
R16	7030015980	S.RES RMC1/16S-333JTH (33 k)	T	7.8/82.1
R17	7030016110	S.RES RMC1/16S-473JTH (47 k)	T	5.9/77.2
R18	7030015920	S.RES RMC1/16S-221JTH (220)	T	8.7/74.6
R19	7510001461	S.THR NTCG16 3NH 471JT	T	6.9/75.7
R20	7030015680	S.RES RMC1/10-150JTP (15)	B	16.1/64.0
R21	7030016050	S.RES RMC1/16S-102JTH (1 k)	B	7.7/63.9
R22	7030016050	S.RES RMC1/16S-102JTH (1 k)	B	13.7/63.0
R23	7030016150	S.RES RMC1/16S-100JTH (10)	B	7.0/65.3
R24	7030016170	S.RES RMC1/16S-560JTH (56)	B	9.6/60.5
R25	7030016270	S.RES RMC1/16S-151JTH (150)	B	11.0/59.4
R26	7030016170	S.RES RMC1/16S-560JTH (56)	B	9.6/58.0
R27	7030016510	S.RES RMC1/16S-4R7JTH (4.7)	T	15.5/72.8
R28	7030016080	S.RES RMC1/16S-822JTH (8.2 k)	T	11.8/57.9
R29	7030015950	S.RES RMC1/16S-152JTH (1.5 k)	T	10.1/58.8
R30	7030015970	S.RES RMC1/16S-103JTH (10 k)	B	11.9/57.6
R40	7030016330	S.RES RMC1/16S-153JTH (15 k)	T	10.1/57.9
R41	7030015930	S.RES RMC1/16S-471JTH (470)	B	13.9/105.3
R43	7030016040	S.RES RMC1/16S-224JTH (220 k)	B	19.9/100.5
R44	7030016000	S.RES RMC1/16S-823JTH (82 k)	B	32.7/106.7
R45	7030016110	S.RES RMC1/16S-473JTH (47 k)	B	31.8/106.7
R47	7030016500	S.RES RMC1/16S-562JTH (5.6 k)	B	13.9/107.3
R48	7030016540	S.RES RMC1/16SK334FTH (330 k)	B	36.2/106.7
R49	7030015900	S.RES RMC1/16S-470JTH (47)	B	33.9/107.1
R51	7030016370	S.RES RMC1/16S-271JTH (270)	B	30.5/103.9
R52	7030016050	S.RES RMC1/16S-102JTH (1 k)	B	33.8/102.4
R53	7030015910	S.RES RMC1/16S-101JTH (100)	B	10.10/74.0
R54	7030016040	S.RES RMC1/16S-224JTH (220 k)	B	28.7/101.4
R58	7030016040	S.RES RMC1/16S-224JTH (220 k)	B	29.6/98.9
R59	7030016030	S.RES RMC1/16S-154JTH (150 k)	B	33.6/96.5
R60	7030015990	S.RES RMC1/16S-683JTH (68 k)	B	33.6/98.0
R62	7030016390	S.RES RMC1/16S-184JTH (180 k)	B	25.3/93.6
R63	7030015990	S.RES RMC1/16S-683JTH (68 k)	B	23.2/93.8
R64	7030015910	S.RES RMC1/16S-101JTH (100)	B	30.9/92.8
R65	7030016180	S.RES RMC1/16S-680JTH (68)	B	26.4/94.7
R66	7030016050	S.RES RMC1/16S-102JTH (1 k)	B	33.1/95.0
R67	7030016560	S.RES RMC1/16SJPTH	B	33.9/106.2
R68	7030015960	S.RES RMC1/16S-472JTH (4.7 k)	B	25.4/79.2
R69	7030016050	S.RES RMC1/16S-102JTH (1 k)	B	26.0/75.2
R70	7030015960	S.RES RMC1/16S-472JTH (4.7 k)	B	25.2/80.7
R71	7030016050	S.RES RMC1/16S-102JTH (1 k)	T	40.4/67.8
R72	7030016220	S.RES RMC1/16S-563JTH (56 k)	B	34.0/65.7
R73	7030015970	S.RES RMC1/16S-103JTH (10 k)	B	29.9/68.1
R74	7030016150	S.RES RMC1/16S-100JTH (10)	B	39.1/77.8
R75	7030016040	S.RES RMC1/16S-224JTH (220 k)	B	40.6/81.2
R76	7030016020	S.RES RMC1/16S-104JTH (100 k)	B	31.2/73.1
R77	7030016050	S.RES RMC1/16S-102JTH (1 k)	B	34.0/68.1
R79	7030015970	S.RES RMC1/16S-103JTH (10 k)	B	30.3/71.5
R80	7030016020	S.RES RMC1/16S-104JTH (100 k)	B	28.2/71.8
R81	7030016290	S.RES RMC1/16S-222JTH (2.2 k)	B	27.3/68.1
R82	7030016070	S.RES RMC1/16S-474JTH (470 k)	B	30.8/70.2
R83	7030016090	S.RES RMC1/16S-223JTH (22 k)	B	40.6/82.1
R87	7030015910	S.RES RMC1/16S-101JTH (100)	T	41.7/68.3
R90	7030016040	S.RES RMC1/16S-224JTH (220 k)	B	29.9/66.9
R94	7030016560	S.RES RMC1/16SJPTH	B	29.9/70.2
R99	7030016110	S.RES RMC1/16S-473JTH (47 k)	B	28.9/66.9
R100	7030016000	S.RES RMC1/16S-823JTH (82 k)	B	27.7/66.4
R101	7030016100	S.RES RMC1/16S-334JTH (330 k)	B	30.2/65.6
R102	7030016320	S.RES RMC1/16S-225JTH (2.2 M)	B	30.2/63.3
R107	7030015780	S.RES RMC1/10-331JTP (330)	T	37.0/106.9
R108	7030015690	S.RES RMC1/10-180JTP (18)	T	33.5/106.5
R109	7030015970	S.RES RMC1/16S-103JTH (10 k)	T	31.8/107.4
R111	7030015970	S.RES RMC1/16S-103JTH (10 k)	B	9.6/57.1
R114	7030016370	S.RES RMC1/16S-271JTH (270)	B	13.6/57.1
R115	7030016090	S.RES RMC1/16S-223JTH (22 k)	B	13.0/53.7
R117	7030015920	S.RES RMC1/16S-221JTH (220)	B	11.6/50.8
R118	7030016130	S.RES RMC1/16S-150JTH (15)	T	10.7/50.7
R119	7030016050	S.RES RMC1/16S-102JTH (1 k)	B	15.9/50.0
R120	7030016110	S.RES RMC1/16S-473JTH (47 k)	B	13.1/50.2
R121	7030015910	S.RES RMC1/16S-101JTH (100)	B	15.0/48.8
R122	7030016170	S.RES RMC1/16S-560JTH (56)	B	26.7/41.0
R123	7030011000	S.RES RR0510P-392-D (3.9 k)	T	20.9/47.3
R124	7030011000	S.RES RR0510P-392-D (3.9 k)	T	8.8/46.3
R130	7030016290	S.RES RMC1/16S-222JTH (2.2 k)	B	4.4/52.9
R134	7030015930	S.RES RMC1/16S-471JTH (470)	B	23.6/44.2
R135	7030016480	S.RES RMC1/16S-821JTH (820)	B	24.5/47.1
R140	7030016020	S.RES RMC1/16S-104JTH (100 k)	B	29.7/23.2
R142	7030015640	S.RES RMC1/10JPTP	T	18.5/31.3
R145	7030005820	S.RES RR0510P-103-D (10 k)	B	21.0/27.9
R147	7030005950	S.RES RR0510P-123-D (12 k)	B	19.8/28.3
R148	7030016050	S.RES RMC1/16S-102JTH (1 k)	B	19.1/26.5
R150	7030016020	S.RES RMC1/16S-104JTH (100 k)	T	21.6/23.4
R192	7030016740	S.RES RMC1/16SK474DTH (470 k)	T	35.5/16.1
R193	7030016750	S.RES RMC1/16SK124DTH (120 k)	T	34.7/19.9
R194	7030016740	S.RES RMC1/16SK474DTH (470 k)	T	19.9/109.7
R195	7030016750	S.RES RMC1/16SK124DTH (120 k)	T	17.3/109.4
R210	7030016560	S.RES RMC1/16SJPTH	B	33.3/23.2
R211	7030016390	S.RES RMC1/16S-184JTH (180 k)	B	28.0/58.0
R212	7030016110	S.RES RMC1/16S-473JTH (47 k)	B	27.8/56.8
R213	7030016340	S.RES RMC1/16S-393JTH (39 k)	B	29.6/56.6

REF NO.	PART NO.	DESCRIPTION	M.	H/V LOCATION
R214	7030016450	S.RES RMC1/16S-824JTH (820 k)	B	23.5/57.0
R219	7030015660	S.RES RMC1/10-2R7JTP (2.7)	B	11.2/79.6
R220	7030015930	S.RES RMC1/16S-471JTH (470)	B	40.8/117.2
R222	7030016040	S.RES RMC1/16S-224JTH (220 k)	B	44.7/115.2
R223	7030015970	S.RES RMC1/16S-103JTH (10 k)	B	42.3/113.8
R224	7030016330	S.RES RMC1/16S-153JTH (15 k)	B	44.5/113.1
R225	7030015970	S.RES RMC1/16S-103JTH (10 k)	B	37.7/26.3
R226	7030016090	S.RES RMC1/16S-223JTH (22 k)	T	35.6/101.7
R227	7030016050	S.RES RMC1/16S-102JTH (1 k)	T	39.4/44.1
R231	7030016560	S.RES RMC1/16SJPTH	T	37.1/32.8
R252	7030016560	S.RES RMC1/16SJPTH	B	25.5/44.4
R253	7030016490	S.RES RMC1/16S-391JTH (390)	B	24.6/44.4
R254	7030015960	S.RES RMC1/16S-472JTH (4.7 k)	B	10.9/44.2
R256	7030011920	S.RES RR0510P-561-D (560)	T	20.9/48.6
R258	7030008340	S.RES RR0510P-182-D (1.8 k)	T	17.8/46.1
R260	7030008340	S.RES RR0510P-182-D (1.8 k)	T	8.7/47.2
R262	7030011920	S.RES RR0510P-561-D (560)	T	14.0/44.7
R265	7030015930	S.RES RMC1/16S-471JTH (470)	T	18.3/50.3
R266	7030015990	S.RES RMC1/16S-683JTH (68 k)	T	17.1/49.3
R274	7030015930	S.RES RMC1/16S-471JTH (470)	B	33.0/68.4
R283	7030016390	S.RES RMC1/16S-180JTH (180 k)	B	29.6/57.5
R290	7030015900	S.RES RMC1/16S-470JTH (47)	T	43.7/68.3
R293	7030016000	S.RES RMC1/16S-823JTH (82 k)	B	35.2/106.7
R299	7030015640	S.RES RMC1/10JPTP	T	17.2/79.6
R302	7030015970	S.RES RMC1/16S-103JTH (10 k)	T	11.8/100.9
R303	7030015970	S.RES RMC1/16S-103JTH (10 k)	T	13.2/101.6
R304	7030015970	S.RES RMC1/16S-103JTH (10 k)	T	12.0/114.7
R305	7030016290	S.RES RMC1/16S-222JTH (2.2 k)	T	13.6/113.0
R311	7030016040	S.RES RMC1/16S-224JTH (220 k)	B	27.8/103.3
R313	7030015900	S.RES RMC1/16S-470JTH (47)	B	10.3/51.4
R316	7030016090	S.RES RMC1/16S-223JTH (22 k)	B	33.6/57.5
R317	7030016110	S.RES RMC1/16S-473JTH (47 k)	B	31.5/56.6
R318	7030015970	S.RES RMC1/16S-103JTH (10 k)	B	32.7/58.4
R319	7030016110	S.RES RMC1/16S-473JTH (47 k)	B	33.6/56.6
R320	7030016300	S.RES RMC1/16S-332JTH (3.3 k)	T	7.6/83.8
R321	7510001661	S.THR NTCG16 4LH 473JT	T	7.4/85.2
R322	7030016190	S.RES RMC1/16S-273JTH (27 k)	T	6.7/83.8
R323	7030016440	S.RES RMC1/16S-272JTH (2.7 k)	T	6.4/82.5
R331	7030016050	S.RES RMC1/16S-102JTH (1 k)	T	7.1/76.7
R333	7030016190	S.RES RMC1/16S-273JTH (27 k)	T	8.5/77.5
R334	7030015970	S.RES RMC1/16S-103JTH (10 k)	B	32.0/41.4
R338	7030016000	S.RES RMC1/16S-823JTH (82 k)	T	9.2/119.6
R349	7030015640	S.RES RMC1/10JPTP	B	39.6/88.5
R352	7030016270	S.RES RMC1/16S-151JTH (150)	B	32.2/80.6
R353	7030016560	S.RES RMC1/16SJPTH	B	31.2/90.8
R355	7030016240	S.RES RMC1/16S-684JTH (680 k)	B	45.1/72.3
R357	7030016050	S.RES RMC1/16S-102JTH (1 k)	B	45.1/78.7
R359	7030016050	S.RES RMC1/16S-102JTH (1 k)	B	21.5/39.7
R361	7030016090	S.RES RMC1/16S-223JTH (22 k)	B	27.0/82.6
R363	7030016090	S.RES RMC1/16S-223JTH (22 k)	B	28.8/93.4
R366	7030015910	S.RES RMC1/16S-101JTH (100)	B	23.5/81.7
R367	7030015910	S.RES RMC1/16S-101JTH (100)	B	22.8/91.8
R368	7030015970	S.RES RMC1/16S-103JTH (10 k)	B	14.7/54.7
R369	7030016050	S.RES RMC1/16S-102JTH (1 k)	B	25.6/76.4
R370	7030016050	S.RES RMC1/16S-102JTH (1 k)	B	12.2/102.0
R374	7030016330	S.RES RMC1/16S-153JTH (15 k)	B	39.5/77.2
R375	7030016360	S.RES RMC1/16S-123JTH (12 k)	T	27.1/87.2
R376	7030016330	S.RES RMC1/16S-153JTH (15 k)	B	37.0/66.6
R377	7030016360	S.RES RMC1/16S-123JTH (12 k)	T	39.4/71.7
R378	7030016270	S.RES RMC1/16S-151JTH (150)	B	15.4/57.9
R379	7030016470	S.RES RMC1/16S-390JTH (39)	B	14.5/57.9
R380	7030016270	S.RES RMC1/16S-151JTH (150)	B	15.9/59.1
R381	7030016050	S.RES RMC1/16S-102JTH (1 k)	B	29.0/73.1
R388	7030016360	S.RES RMC1/16S-123JTH (12 k)	T	43.3/71.3
R389	7030016360	S.RES RMC1/16S-123JTH (12 k)	T	28.5/69.3
R390	7030016050	S.RES RMC1/16S-102JTH (1 k)	T	31.1/68.1
R391	7030016060	S.RES RMC1/16S-105JTH (1 M)	B	33.3/36.5
R393	7030016450	S.RES RMC1/16S-824JTH (820 k)	B	29.4/37.6
R394	7030016400	S.RES RMC1/1		

The underlined parts have been updated from the previous version of the addendum, or the original page.

[MAIN UNIT] (for #11, #12, #21, #22, and #31)

[MAIN UNIT] (for #11, #12, #21, #22, and #31)

Table with columns: REF NO., PART NO., DESCRIPTION, M., H/V LOCATION. Lists various electronic components like resistors (R472-R619) and their specifications.

Table with columns: REF NO., PART NO., DESCRIPTION, M., H/V LOCATION. Lists various electronic components like resistors (R620-R747) and their specifications.

Eqv.= This component is equivalent to the REF No. component listed above, and may be substituted on parts orders and repairs.

M.= Mounted side (T: Mounted on the Top side, B: Mounted on the Bottom side) H/V LOCATION=See the BOARD LAYOUTS for details.

The underlined parts have been updated from the previous version of the addendum, or the original page.

[MAIN UNIT] (for #11, #12, #21, #22, and #31)

[MAIN UNIT] (for #11, #12, #21, #22, and #31)

Table with columns: REF NO., PART NO., DESCRIPTION, M., H/V LOCATION. Lists components for units #11, #12, #21, #22, and #31.

Table with columns: REF NO., PART NO., DESCRIPTION, M., H/V LOCATION. Lists components for units #11, #12, #21, #22, and #31.

Eqv.= This component is equivalent to the REF NO. component listed above, and may be substituted on parts orders and repairs.

M.= Mounted side (T: Mounted on the Top side, B: Mounted on the Bottom side) H/V LOCATION=See the BOARD LAYOUTS for details.

The underlined parts have been updated from the previous version of the addendum, or the original page.

[MAIN UNIT] (for #11, #12, #21, #22, and #31)

Table with columns: REF NO., PART NO., DESCRIPTION, M., H/V LOCATION. Lists components from C514 to C646 with their respective descriptions and locations.

[MAIN UNIT] (for #11, #12, #21, #22, and #31)

Table with columns: REF NO., PART NO., DESCRIPTION, M., H/V LOCATION. Lists components from C647 to C684, J1-J6, MC1, S1, EP3-EP31 with their respective descriptions and locations.

Eqv.= This component is equivalent to the REF No. component listed above, and may be substituted on parts orders and repairs.

M.= Mounted side (T: Mounted on the Top side, B: Mounted on the Bottom side) H/V LOCATION=See the BOARD LAYOUTS for details.

The underlined parts have been updated from the previous version of the addendum, or the original page.

[LOGIC-1 UNIT]
(for #13, #14, #16, #17, #23, #24, #27, #33, #34, and #36)

REF NO.	PART NO.	DESCRIPTION	M.	H/V LOCATION
IC1	1190004712	S.IC HRM1016-010022	T	37.3/13.5
	1190004712	S.IC HRM1016-010022		
IC11	1190004712	S.IC HRM1016-010022	B	17.6/8.1
	1110003790	S.IC NJM2903V-TE1-#FMZB		
	1110003790	S.IC NJM2903V-TE1-#FMZB		
	1110003790	S.IC NJM2903V-TE1-#FMZB		
IC12	1110006470	S.IC LMV324IPWR	B	24.1/19.7
	1110006470	S.IC LMV324IPWR		
	1110006470	S.IC LMV324IPWR		
	1110006470	S.IC LMV324IPWR		
IC13	1110006740	S.IC LMV358IPWR	B	8.4/11.0
	1110006740	S.IC LMV358IPWR		
	1110006740	S.IC LMV358IPWR		
	1110006740	S.IC LMV358IPWR		
IC17	1190004620	S.IC GSU-141A-098A	B	23.8/85.9
	1190004620	S.IC GSU-141A-098A		
	1190004620	S.IC GSU-141A-098A		
	1190004620	S.IC GSU-141A-098A		
IC27	1140018060	S.IC R5F52108BDLK	B	31.0/52.9
IC30	1180004760	S.REG S-1200B33-M5T1U	T	18.2/10.2
	1180004760	S.REG S-1200B33-M5T1U		
	1180004760	S.REG S-1200B33-M5T1U		
	1180004760	S.REG S-1200B33-M5T1U		
IC31	1180004760	S.REG S-1200B33-M5T1U	B	32.5/96.5
	1180004760	S.REG S-1200B33-M5T1U		
	1180004760	S.REG S-1200B33-M5T1U		
	1180004760	S.REG S-1200B33-M5T1U		
IC32	1110006490	S.IC LMV321IDCKR	B	38.6/5.1
	1110006490	S.IC LMV321IDCKR		
	1110006490	S.IC LMV321IDCKR		
	1110006490	S.IC LMV321IDCKR		
IC34	1180003570	S.REG NJM2830U1-33-TE1-#ZZZB	B	39.7/44.0
IC35	1130014260	S.IC SN74LVC2GU04DCKR	B	29.0/13.8
IC36	1130014260	S.IC SN74LVC2GU04DCKR	B	40.9/31.9
IC37	1130016621	S.IC GT24C128B-ZZLI-TR	B	31.3/68.1
IC38	1110007780	S.IC NUJ7704F3-28A-TE1-#ZZZH	B	22.4/67.7
IC39	1110007780	S.IC NUJ7704F3-28A-TE1	T	22.1/13.2
	1110007780	S.IC NUJ7704F3-28A-TE1		
	1110007780	S.IC NUJ7704F3-28A-TE1		
	1110007780	S.IC NUJ7704F3-28A-TE1		
IC40	1180005110	S.REG NJM283DL3-05-TE1	B	31.8/35.9
IC41	1180003460	S.REG NJM2831F05-TE1-#ZZZB	B	29.1/64.5
Q3	1530004190	S.TRA L2SC4617ST1G	B	24.9/72.7
	1590004070	S.TRA LDTIC144EET1G		
	1590004070	S.TRA LDTIC144EET1G		
	1590004070	S.TRA LDTIC144EET1G		
Q13	1530004140	S.TRA L2SC4081RT1G	B	21.1/12.6
	1530004140	S.TRA L2SC4081RT1G		
	1530004140	S.TRA L2SC4081RT1G		
	1530004140	S.TRA L2SC4081RT1G		
Q15	1590004530	S.TRA DMG564050R	B	24.9/29.6
	1590004530	S.TRA DMG564050R		
	1590004530	S.TRA DMG564050R		
	1590004530	S.TRA DMG564050R		
Q16	1590004070	S.TRA LDTIC144EET1G	B	40.5/11.3
	1590004070	S.TRA LDTIC144EET1G		
	1590004070	S.TRA LDTIC144EET1G		
	1590004070	S.TRA LDTIC144EET1G		
Q17	1590004070	S.TRA LDTIC144EET1G	T	19.9/17.9
	1590004070	S.TRA LDTIC144EET1G		
	1590004070	S.TRA LDTIC144EET1G		
	1590004070	S.TRA LDTIC144EET1G		
Q22	1530004000	S.TRA 2SC4738-GR (TE85LF)	B	32.4/14.2
Q23	1510001100	S.TRA 2SA1832-GR (TE85RF)	B	28.1/17.0
Q24	1510001100	S.TRA 2SA1832-GR (TE85RF)	B	40.8/28.5
Q25	1560001730	S.FET RUE002N02 TL	B	35.8/29.7
Q31	1510001100	S.TRA 2SA1832-GR (TE85RF)	T	14.7/13.5
Q32	1510001100	S.TRA 2SA1832-GR (TE85RF)	T	13.4/18.5
Q33	1590004070	S.TRA LDTIC144EET1G	T	17.2/17.4
Q34	1590004070	S.TRA LDTIC144EET1G	T	14.8/15.5
D1	1750001810	S.DIO L1SS400T1G	T	6.1/104.9
	1750002220	S.DIO DA6J101KOR		
	1750001810	S.DIO L1SS400T1G		
	1750001810	S.DIO L1SS400T1G		
D4	1750001810	S.DIO L1SS400T1G	T	3.9/12.1
	1750001810	S.DIO L1SS400T1G		
	1750001810	S.DIO L1SS400T1G		
	1750001810	S.DIO L1SS400T1G		
D5	1750001810	S.DIO L1SS400T1G	T	13.0/98.5
	1750001810	S.DIO L1SS400T1G		
	1750001810	S.DIO L1SS400T1G		
	1750001810	S.DIO L1SS400T1G		
D6	1750001810	S.DIO L1SS400T1G	B	11.2/56.2
	1750001810	S.DIO L1SS400T1G		
	1750001810	S.DIO L1SS400T1G		
	1750001810	S.DIO L1SS400T1G		

[LOGIC-1 UNIT]
(for #13, #14, #16, #17, #23, #24, #27, #33, #34, and #36)

REF NO.	PART NO.	DESCRIPTION	M.	H/V LOCATION
D7	1750001970	S.ZEN DZ2J082M0L	B	29.4/73.2
D8	1750001810	S.DIO L1SS400T1G	B	32.5/72.5
D16	1750001810	S.DIO L1SS400T1G	B	13.2/6.8
	1750001810	S.DIO L1SS400T1G		
	1750001810	S.DIO L1SS400T1G		
	1750001810	S.DIO L1SS400T1G		
D17	1750001810	S.DIO L1SS400T1G	B	17.5/12.6
	1750001810	S.DIO L1SS400T1G		
	1750001810	S.DIO L1SS400T1G		
	1750001810	S.DIO L1SS400T1G		
D18	1750001790	S.DIO 1SS390 TE61	B	40.7/57.6
	1750001810	S.DIO L1SS400T1G		
	1750001810	S.DIO L1SS400T1G		
	1750001810	S.DIO L1SS400T1G		
D34	1750001810	S.DIO L1SS400T1G	B	26.3/36.4
D35	1750001810	S.DIO L1SS400T1G	B	45.0/44.6
D46	1750001810	S.DIO L1SS400T1G	T	17.8/12.6
	1750001810	S.DIO L1SS400T1G		
	1750001810	S.DIO L1SS400T1G		
	1750001810	S.DIO L1SS400T1G		
D47	1750001810	S.DIO L1SS400T1G	B	32.5/17.4
	1750001810	S.DIO L1SS400T1G		
	1750001810	S.DIO L1SS400T1G		
	1750001810	S.DIO L1SS400T1G		
D48	1750001810	S.DIO L1SS400T1G	B	36.0/28.1
X1	6050013790	S.XTA CR-981 (19.6608 MHz)	B	39.7/53.9
R3	7030015910	S.RES RMC1/16S-101JTH (100)	B	33.6/8.2
	7030015910	S.RES RMC1/16S-101JTH (100)		
	7030015910	S.RES RMC1/16S-101JTH (100)		
	7030015910	S.RES RMC1/16S-101JTH (100)		
R5	7030016020	S.RES RMC1/16S-104JTH (100 k)	B	23.5/70.8
R16	7030016020	S.RES RMC1/16S-104JTH (100 k)	B	22.6/70.8
R17	7030015970	S.RES RMC1/16S-103JTH (10 k)	B	26.9/73.2
R18	7030015970	S.RES RMC1/16S-103JTH (10 k)	B	28.3/71.6
R25	7030016160	S.RES RMC1/16S-820JTH (82)	T	11.0/35.2
R26	7030016160	S.RES RMC1/16S-820JTH (82)	T	22.0/35.2
R28	7030016560	S.RES RMC1/16SJPTH	B	31.8/8.2
	7030016560	S.RES RMC1/16SJPTH		
	7030016560	S.RES RMC1/16SJPTH		
	7030016560	S.RES RMC1/16SJPTH		
R60	7030016340	S.RES RMC1/16S-393JTH (39 k)	B	22.0/8.4
	7030016340	S.RES RMC1/16S-393JTH (39 k)		
	7030016340	S.RES RMC1/16S-393JTH (39 k)		
	7030016340	S.RES RMC1/16S-393JTH (39 k)		
R61	7030016110	S.RES RMC1/16S-473JTH (47 k)	B	13.3/8.8
	7030016110	S.RES RMC1/16S-473JTH (47 k)		
	7030016110	S.RES RMC1/16S-473JTH (47 k)		
	7030016110	S.RES RMC1/16S-473JTH (47 k)		
R62	7030016020	S.RES RMC1/16S-104JTH (100 k)	B	12.2/8.4
	7030016020	S.RES RMC1/16S-104JTH (100 k)		
	7030016020	S.RES RMC1/16S-104JTH (100 k)		
	7030016020	S.RES RMC1/16S-104JTH (100 k)		
R63	7030016330	S.RES RMC1/16S-153JTH (15 k)	B	11.0/2.3
	7030016330	S.RES RMC1/16S-153JTH (15 k)		
	7030016330	S.RES RMC1/16S-153JTH (15 k)		
	7030016330	S.RES RMC1/16S-153JTH (15 k)		
R64	7030015960	S.RES RMC1/16S-472JTH (4.7 k)	B	4.5/9.2
	7030015960	S.RES RMC1/16S-472JTH (4.7 k)		
	7030015960	S.RES RMC1/16S-472JTH (4.7 k)		
	7030015960	S.RES RMC1/16S-472JTH (4.7 k)		
R65	7030016040	S.RES RMC1/16S-224JTH (220 k)	B	9.2/6.6
	7030016040	S.RES RMC1/16S-224JTH (220 k)		
	7030016040	S.RES RMC1/16S-224JTH (220 k)		
	7030016040	S.RES RMC1/16S-224JTH (220 k)		
R66	7030016040	S.RES RMC1/16S-224JTH (220 k)	B	9.2/5.7
	7030016040	S.RES RMC1/16S-224JTH (220 k)		
	7030016040	S.RES RMC1/16S-224JTH (220 k)		
	7030016040	S.RES RMC1/16S-224JTH (220 k)		
R67	7030015970	S.RES RMC1/16S-103JTH (10 k)	B	5.9/10.2
	7030015970	S.RES RMC1/16S-103JTH (10 k)		
	7030015970	S.RES RMC1/16S-103JTH (10 k)		
	7030015970	S.RES RMC1/16S-103JTH (10 k)		
R68	7030016200	S.RES RMC1/16S-274JTH (270 k)	B	5.9/11.8
	7030016200	S.RES RMC1/16S-274JTH (270 k)		
	7030016200	S.RES RMC1/16S-274JTH (270 k)		
	7030016200	S.RES RMC1/16S-274JTH (270 k)		
R69	7030016360	S.RES RMC1/16S-123JTH (12 k)	B	2.8/14.3
	7030016360	S.RES RMC1/16S-123JTH (12 k)		
	7030016360	S.RES RMC1/16S-123JTH (12 k)		
	7030016360	S.RES RMC1/16S-123JTH (12 k)		
R72	7030015960	S.RES RMC1/16S-472JTH (4.7 k)	B	9.9/15.3
	7030015960	S.RES RMC1/16S-472JTH (4.7 k)		
	7030015960	S.RES RMC1/16S-472JTH (4.7 k)		
	7030015960	S.RES RMC1/16S-472JTH (4.7 k)		
R73	7030015960	S.RES RMC1/16S-472JTH (4.7 k)	B	21.7/24.9
	7030015960	S.RES RMC1/16S-472JTH (4.7 k)		
	7030015960	S.RES RMC1/16S-472JTH (4.7 k)		
	7030015960	S.RES RMC1/16S-472JTH (4.7 k)		
R74	7030016040	S.RES RMC1/16S-224JTH (220 k)	B	21.7/24.0
	7030016040	S.RES RMC1/16S-224JTH (220 k)		
	7030016040	S.RES RMC1/16S-224JTH (220 k)		
	7030016040	S.RES RMC1/16S-224JTH (220 k)		
R75	7030016110	S.RES RMC1/16S-473JTH (47 k)	B	23.7/24.0
	7030016110	S.RES RMC1/16S-473JTH (47 k)		
	7030016110	S.RES RMC1/16S-473JTH (47 k)		
	7030016110	S.RES RMC1/16S-473JTH (47 k)		
R76	7030016110	S.RES RMC1/16S-473JTH (47 k)	B	22.7/26.4
	7030016110	S.RES RMC1/16S-473JTH (47 k)		
	7030016110	S.RES RMC1/16S-473JTH (47 k)		
	7030016110	S.RES RMC1/16S-473JTH (47 k)		

Eqv.= This component is equivalent to the REF No. component listed above, and may be substituted on parts orders and repairs.

M.= Mounted side (T: Mounted on the Top side, B: Mounted on the Bottom side)
H/V LOCATION=See the BOARD LAYOUTS for details.

The underlined parts have been updated from the previous version of the addendum, or the original page.

[LOGIC-1 UNIT]
(for #13, #14, #16, #17, #23, #24, #27, #33, #34, and #36)

REF NO.	PART NO.	DESCRIPTION	M.	H/V LOCATION
R77	7030016040	S.RES RMC1/16S-224JTH (220 k)	B	24.8/25.0
	7030016040	S.RES RMC1/16S-224JTH (220 k)		
	7030016040	S.RES RMC1/16S-224JTH (220 k)		
	7030016040	S.RES RMC1/16S-224JTH (220 k)		
R78	7030015960	S.RES RMC1/16S-472JTH (4.7 k)	B	26.5/25.5
	7030015960	S.RES RMC1/16S-472JTH (4.7 k)		
	7030015960	S.RES RMC1/16S-472JTH (4.7 k)		
	7030015960	S.RES RMC1/16S-472JTH (4.7 k)		
R79	7030016120	S.RES RMC1/16S-682JTH (6.8 k)	B	24.8/13.4
	7030016120	S.RES RMC1/16S-682JTH (6.8 k)		
	7030016120	S.RES RMC1/16S-682JTH (6.8 k)		
	7030016120	S.RES RMC1/16S-682JTH (6.8 k)		
R80	7030016030	S.RES RMC1/16S-154JTH (150 k)	B	26.0/15.4
	7030016030	S.RES RMC1/16S-154JTH (150 k)		
	7030016030	S.RES RMC1/16S-154JTH (150 k)		
	7030016030	S.RES RMC1/16S-154JTH (150 k)		
R81	7030016290	S.RES RMC1/16S-222JTH (2.2 k)	B	23.9/15.0
	7030016290	S.RES RMC1/16S-222JTH (2.2 k)		
	7030016290	S.RES RMC1/16S-222JTH (2.2 k)		
	7030016290	S.RES RMC1/16S-222JTH (2.2 k)		
R82	7030015960	S.RES RMC1/16S-472JTH (4.7 k)	B	26.4/13.3
	7030015960	S.RES RMC1/16S-472JTH (4.7 k)		
	7030015960	S.RES RMC1/16S-472JTH (4.7 k)		
	7030015960	S.RES RMC1/16S-472JTH (4.7 k)		
R83	7030016040	S.RES RMC1/16S-224JTH (220 k)	B	22.4/15.3
	7030016040	S.RES RMC1/16S-224JTH (220 k)		
	7030016040	S.RES RMC1/16S-224JTH (220 k)		
	7030016040	S.RES RMC1/16S-224JTH (220 k)		
R84	7030015960	S.RES RMC1/16S-472JTH (4.7 k)	B	16.6/18.5
	7030015960	S.RES RMC1/16S-472JTH (4.7 k)		
	7030015960	S.RES RMC1/16S-472JTH (4.7 k)		
	7030015960	S.RES RMC1/16S-472JTH (4.7 k)		
R85	7030016360	S.RES RMC1/16S-123JTH (12 k)	B	14.4/21.3
	7030016360	S.RES RMC1/16S-123JTH (12 k)		
	7030016360	S.RES RMC1/16S-123JTH (12 k)		
	7030016360	S.RES RMC1/16S-123JTH (12 k)		
R86	7030016560	S.RES RMC1/16SJPTH	B	15.3/21.3
	7030016560	S.RES RMC1/16SJPTH		
	7030016560	S.RES RMC1/16SJPTH		
	7030016560	S.RES RMC1/16SJPTH		
R88	7030016000	S.RES RMC1/16S-823JTH (82 k)	B	18.2/23.5
	7030016000	S.RES RMC1/16S-823JTH (82 k)		
	7030016000	S.RES RMC1/16S-823JTH (82 k)		
	7030016000	S.RES RMC1/16S-823JTH (82 k)		
R91	7030016100	S.RES RMC1/16S-334JTH (330 k)	B	23.0/10.4
	7030016100	S.RES RMC1/16S-334JTH (330 k)		
	7030016100	S.RES RMC1/16S-334JTH (330 k)		
	7030016100	S.RES RMC1/16S-334JTH (330 k)		
R93	7030016070	S.RES RMC1/16S-474JTH (470 k)	B	21.5/14.4
	7030016070	S.RES RMC1/16S-474JTH (470 k)		
	7030016070	S.RES RMC1/16S-474JTH (470 k)		
	7030016070	S.RES RMC1/16S-474JTH (470 k)		
R94	7030016450	S.RES RMC1/16S-824JTH (820 k)	B	23.0/13.7
	7030016450	S.RES RMC1/16S-824JTH (820 k)		
	7030016450	S.RES RMC1/16S-824JTH (820 k)		
	7030016450	S.RES RMC1/16S-824JTH (820 k)		
R95	7030016090	S.RES RMC1/16S-223JTH (22 k)	B	19.2/13.0
	7030016090	S.RES RMC1/16S-223JTH (22 k)		
	7030016090	S.RES RMC1/16S-223JTH (22 k)		
	7030016090	S.RES RMC1/16S-223JTH (22 k)		
R112	7030016320	S.RES RMC1/16S-225JTH (2.2 M)	B	16.7/11.0
	7030016320	S.RES RMC1/16S-225JTH (2.2 M)		
	7030016320	S.RES RMC1/16S-225JTH (2.2 M)		
	7030016320	S.RES RMC1/16S-225JTH (2.2 M)		
R145	7030016060	S.RES RMC1/16S-105JTH (1 M)	T	2.2/13.8
R146	7030016060	S.RES RMC1/16S-105JTH (1 M)	T	2.7/14.8
R147	7030016060	S.RES RMC1/16S-105JTH (1 M)	T	5.6/13.8
R148	7030016060	S.RES RMC1/16S-105JTH (1 M)	T	4.1/9.3
R151	7510001661	S.THR NTCG16 4LH 473JT	T	34.8/24.7
R152	7030008270	S.RES RRO510P-104-D (100 k)	T	36.8/25.5
R558	7030016360	S.RES RMC1/16S-123JTH (12 k)	B	21.5/9.8
	7030016360	S.RES RMC1/16S-123JTH (12 k)		
	7030016360	S.RES RMC1/16S-123JTH (12 k)		
	7030016360	S.RES RMC1/16S-123JTH (12 k)		
R595	7030015520	S.RES RMC1/16SJPTH	B	28.0/32.2
	7030015900	S.RES RMC1/16S-470JTH (47 k)		
	7030015900	S.RES RMC1/16S-470JTH (47 k)		
	7030015900	S.RES RMC1/16S-470JTH (47 k)		
R857	7030016560	S.RES RMC1/16SJPTH	B	18.8/85.4
	7030016560	S.RES RMC1/16SJPTH		
	7030016560	S.RES RMC1/16SJPTH		
	7030016560	S.RES RMC1/16SJPTH		
R858	7030016560	S.RES RMC1/16SJPTH	B	21.5/79.2
	7030016560	S.RES RMC1/16SJPTH		
	7030016560	S.RES RMC1/16SJPTH		
	7030016560	S.RES RMC1/16SJPTH		
R859	7030016560	S.RES RMC1/16SJPTH	B	28.7/86.5
	7030016560	S.RES RMC1/16SJPTH		
	7030016560	S.RES RMC1/16SJPTH		
	7030016560	S.RES RMC1/16SJPTH		
R860	7030016020	S.RES RMC1/16S-104JTH (100 k)	B	28.7/87.4
	7030016020	S.RES RMC1/16S-104JTH (100 k)		
	7030016020	S.RES RMC1/16S-104JTH (100 k)		
	7030016020	S.RES RMC1/16S-104JTH (100 k)		
R861	7030016020	S.RES RMC1/16S-104JTH (100 k)	B	29.7/97.1
	7030016020	S.RES RMC1/16S-104JTH (100 k)		
	7030016020	S.RES RMC1/16S-104JTH (100 k)		
	7030016020	S.RES RMC1/16S-104JTH (100 k)		

[LOGIC-1 UNIT]
(for #13, #14, #16, #17, #23, #24, #27, #33, #34, and #36)

REF NO.	PART NO.	DESCRIPTION	M.	H/V LOCATION
R862	7030016560	S.RES RMC1/16SJPTH	B	28.9/98.0
	7030016560	S.RES RMC1/16SJPTH		
	7030016560	S.RES RMC1/16SJPTH		
	7030016560	S.RES RMC1/16SJPTH		
R863	7030016560	S.RES RMC1/16SJPTH	T	22.8/16.1
	7030016560	S.RES RMC1/16SJPTH		
	7030016560	S.RES RMC1/16SJPTH		
	7030016560	S.RES RMC1/16SJPTH		
R864	7030016110	S.RES RMC1/16S-473JTH (47 k)	B	40.1/16.4
	7030016110	S.RES RMC1/16S-473JTH (47 k)		
	7030016110	S.RES RMC1/16S-473JTH (47 k)		
	7030016110	S.RES RMC1/16S-473JTH (47 k)		
R865	7030016110	S.RES RMC1/16S-473JTH (47 k)	B	38.5/15.3
	7030016110	S.RES RMC1/16S-473JTH (47 k)		
	7030016110	S.RES RMC1/16S-473JTH (47 k)		
	7030016110	S.RES RMC1/16S-473JTH (47 k)		
R866	7030016020	S.RES RMC1/16S-104JTH (100 k)	T	21.9/17.9
	7030016020	S.RES RMC1/16S-104JTH (100 k)		
	7030016020	S.RES RMC1/16S-104JTH (100 k)		
	7030016020	S.RES RMC1/16S-104JTH (100 k)		
R867	7030016020	S.RES RMC1/16S-104JTH (100 k)	B	40.1/12.9
	7030016020	S.RES RMC1/16S-104JTH (100 k)		
	7030016020	S.RES RMC1/16S-104JTH (100 k)		
	7030016020	S.RES RMC1/16S-104JTH (100 k)		
R868	7030016110	S.RES RMC1/16S-473JTH (47 k)	B	40.1/14.1
	7030016110	S.RES RMC1/16S-473JTH (47 k)		
	7030016110	S.RES RMC1/16S-473JTH (47 k)		
	7030016110	S.RES RMC1/16S-473JTH (47 k)		
R869	7030016110	S.RES RMC1/16S-473JTH (47 k)	B	40.1/15.3
	7030016110	S.RES RMC1/16S-473JTH (47 k)		
	7030016110	S.RES RMC1/16S-473JTH (47 k)		
	7030016110	S.RES RMC1/16S-473JTH (47 k)		
R871	7030015970	S.RES RMC1/16S-103JTH (10 k)	B	36.3/11.8
	7030015970	S.RES RMC1/16S-103JTH (10 k)		
	7030015970	S.RES RMC1/16S-103JTH (10 k)		
	7030015970	S.RES RMC1/16S-103JTH (10 k)		
R873	7030016050	S.RES RMC1/16S-102JTH (1 k)	B	38.7/8.4
	7030016050	S.RES RMC1/16S-102JTH (1 k)		
	7030016050	S.RES RMC1/16S-102JTH (1 k)		
	7030016050	S.RES RMC1/16S-102JTH (1 k)		
R874	7030016190	S.RES RMC1/16S-273JTH (27 k)	B	39.0/2.4
	7030016190	S.RES RMC1/16S-273JTH (27 k)		
	7030016190	S.RES RMC1/16S-273JTH (27 k)		
	7030016190	S.RES RMC1/16S-273JTH (27 k)		
R875	7030016190	S.RES RMC1/16S-273JTH (27 k)	B	40.8/4.3
	7030016190	S.RES RMC1/16S-273JTH (27 k)		
	7030016190	S.RES RMC1/16S-273JTH (27 k)		
	7030016190	S.RES RMC1/16S-273JTH (27 k)		
R876	7030016160	S.RES RMC1/16S-820JTH (82)	T	33.0/35.2
R878	7030015920	S.RES RMC1/16S-221JTH (220)	T	13.2/14.6
R879	7030016020	S.RES RMC1/16S-104JTH (100 k)	B	41.3/5.5
	7030016020	S.RES RMC1/16S-104JTH (100 k)		
	7030016020	S.RES RMC1/16S-104JTH (100 k)		
	7030016020	S.RES RMC1/16S-104JTH (100 k)		
R881	7030016110	S.RES RMC1/16S-473JTH (47 k)	B	27.9/18.5
R882	7030015970	S.RES RMC1/16S-103JTH (10 k)	B	29.6/16.9
R883	7030016380	S.RES RMC1/16S-183JTH (18 k)	B	30.9/17.3
R884	7030016360	S.RES RMC1/16S-123JTH (12 k)	B	30.9/14.1
R885	7030015970	S.RES RMC1/16S-103JTH (10 k)	B	39.2/28.6
R886	7030016380	S.RES RMC1/16S-183JTH (18 k)	B	38.0/28.1
R887	7030016560	S.RES RMC1/16SJPTH	B	38.0/30.2
R888	7030015970	S.RES RMC1/16S-103JTH (10 k)	B	42.8/31.9
R901	7030014460	S.RES MCR006YZPJ 101 (100)	B	30.3/43.5
R902	7030014460	S.RES MCR006YZPJ 101 (100)	B	23.5/43.3
R903	7030014460	S.RES MCR006YZPJ 101 (100)	B	20.3/61.4
R906	7030014460	S.RES MCR006YZPJ 101 (100)	B	23.5/62.3
R907	7030014460	S.RES MCR006YZPJ 101 (100)	B	39.2/50.1
R908	7030016050	S.RES RMC1/16S-105JTH (1 M)	B	37.1/52.9
R909	7030016160	S.RES RMC1/16S-100JTH (10)	B	35.8/53.0
R910	7030016360	S.RES RMC1/16S-123JTH (12 k)	B	39.3/57.6
R911	7030016090	S.RES RMC1/16S-223JTH (22 k)	B	39.3/56.7
R912	7030016360	S.RES RMC1/16S-123JTH (12 k)	B	42.0/58.4
R913	7030015960	S.RES RMC1/16S-472JTH (4.7 k)	B	26.0/67.7
R914	7030016020	S.RES RMC1/16S-104JTH (100 k)	B	25.0/68.2
R917	7030016020	S.RES RMC1/16S-104JTH (100 k)	T	24.1/21.2
R920	7030016020	S.RES RMC1/16S-104JTH (100 k)	T	23.7/20.0
R925	7030015970	S.RES RMC1/16S-103JTH (10 k)	B	44.4/52.9
R926	7030016560	S.RES RMC1/16SJPTH	B	9.9/16.2
	7030016560	S.RES RMC1/16SJPTH		
	7030016560	S.RES RMC1/16SJPTH		
	7030016560	S.RES RMC1/16SJPTH		
R927	7030016560	S.RES RMC1/16SJPTH	B	20.7/15.3
	7030016560	S.RES RMC1/16SJPTH		
	7030016560	S.RES RMC1/16SJPTH		
	7030016560	S.RES RMC1/16SJPTH		
R928	7030016560	S.RES RMC1/16SJPTH	B	21.3/26.2
	7030016560	S.RES RMC1/16SJPTH		
	7030016560	S.RES RMC1/16SJPTH		
	7030016560	S.RES RMC1/16SJPTH		
R929	7030014460	S.RES MCR006YZPJ 101 (100)	B	24.6/50.9
	7030014460	S.RES MCR006YZPJ 101 (100)		
	7030014460	S.RES MCR006YZPJ 101 (100)		
	7030014460	S.RES MCR006YZPJ 101 (100)		
R930	7030014460	S.RES MCR006YZPJ 101 (100)	B	24.0/51.9
	7030014460	S.RES MCR006YZPJ 101 (100)		
	7030014460	S.RES MCR006YZPJ 101 (100)		
	7030014460	S.RES MCR006YZPJ 101 (100)		
R931	7030016020	S.RES RMC1/16S-104JTH (100 k)	B	23.8/49.3
R932	7030016020	S.RES RMC1/16S-104JTH (100 k)	B	23.4/50.5
R933	7030015970	S.RES RMC1/16S-103JTH (10 k)	B	22.1/69.6

Eqv.= This component is equivalent to the REF No. component listed above, and may be substituted on parts orders and repairs.

M.= Mounted side (T: Mounted on the Top side, B: Mounted on the Bottom side) H/V LOCATION=See the BOARD LAYOUTS for details.

The underlined parts have been updated from the previous version of the addendum, or the original page.

[LOGIC-1 UNIT]**(for #13, #14, #16, #17, #23, #24, #27, #33, #34, and #36)**

REF NO.	PART NO.	DESCRIPTION	M.	H/V LOCATION
R934	7030015960	S.RES RMC1/16S-472JTH (4.7 k)	B	26.0/69.8
R935	7030015960	S.RES RMC1/16S-472JTH (4.7 k)	B	35.3/54.5
R937	7030016560	S.RES RMC1/16SJPTH	B	30.3/27.6
R940	7030016020	S.RES RMC1/16S-104JTH (100 k)	B	28.4/61.3
R943	7030016020	S.RES RMC1/16S-104JTH (100 k)	B	35.6/44.1
R944	7030016020	S.RES RMC1/16S-104JTH (100 k)	B	36.5/47.0
R945	7030016020	S.RES RMC1/16S-104JTH (100 k) [#13]	B	19.2/86.6
	7030016020	S.RES RMC1/16S-104JTH (100 k) [#14]		
	7030016020	S.RES RMC1/16S-104JTH (100 k) [#16]		
	7030016020	S.RES RMC1/16S-104JTH (100 k) [#17]		
R946	7030016020	S.RES RMC1/16S-104JTH (100 k) [#13]	B	20.3/79.6
	7030016020	S.RES RMC1/16S-104JTH (100 k) [#14]		
	7030016020	S.RES RMC1/16S-104JTH (100 k) [#16]		
	7030016020	S.RES RMC1/16S-104JTH (100 k) [#17]		
R947	7030016020	S.RES RMC1/16S-104JTH (100 k) [#13]	T	15.9/9.8
	7030016020	S.RES RMC1/16S-104JTH (100 k) [#14]		
	7030016020	S.RES RMC1/16S-104JTH (100 k) [#16]		
	7030016020	S.RES RMC1/16S-104JTH (100 k) [#17]		
R949	7030016020	S.RES RMC1/16S-104JTH (100 k)	T	21.1/21.2
R952	7030016020	S.RES RMC1/16S-104JTH (100 k)	T	17.7/26.7
R962	7030016020	S.RES RMC1/16S-104JTH (100 k) [#13]	B	39.1/7.1
	7030016020	S.RES RMC1/16S-104JTH (100 k) [#14]		
	7030016020	S.RES RMC1/16S-104JTH (100 k) [#16]		
	7030016020	S.RES RMC1/16S-104JTH (100 k) [#17]		
R963	7030016210	S.RES RMC1/16S-121JTH (120)	T	13.2/16.2
R964	7030014400	S.RES MCR006YZPJ 100 (10)	B	28.6/60.4
R965	7030014400	S.RES MCR006YZPJ 100 (10)	B	30.9/59.6
R966	7030014400	S.RES MCR006YZPJ 100 (10)	B	43.4/58.4
R967	7030014400	S.RES MCR006YZPJ 100 (10)	B	34.7/47.9
R968	7030014400	S.RES MCR006YZPJ 100 (10)	B	37.3/49.7
R969	7030014400	S.RES MCR006YZPJ 100 (10)	B	37.3/51.8
R970	7030014400	S.RES MCR006YZPJ 100 (10)	B	26.0/66.3
R971	7030014400	S.RES MCR006YZPJ 100 (10)	B	25.0/66.8
R972	7030014400	S.RES MCR006YZPJ 100 (10)	B	34.6/44.5
R973	7030014400	S.RES MCR006YZPJ 100 (10)	B	35.6/47.1
R974	7030014400	S.RES MCR006YZPJ 100 (10)	B	23.5/47.8
R975	7030014400	S.RES MCR006YZPJ 100 (10)	B	29.3/47.9
R976	7030014400	S.RES MCR006YZPJ 100 (10)	B	28.7/47.9
R977	7030014400	S.RES MCR006YZPJ 100 (10)	B	27.5/47.9
R978	7030014400	S.RES MCR006YZPJ 100 (10)	B	26.0/50.9
R979	7030014400	S.RES MCR006YZPJ 100 (10)	B	33.0/44.0
R980	7030014400	S.RES MCR006YZPJ 100 (10)	B	39.4/51.5
R981	7030014400	S.RES MCR006YZPJ 100 (10)	B	26.0/48.8
R982	7030014400	S.RES MCR006YZPJ 100 (10)	B	28.1/47.9
R983	7030014400	S.RES MCR006YZPJ 100 (10)	B	26.3/47.9
R984	7030014400	S.RES MCR006YZPJ 100 (10)	B	24.1/55.7
R985	7030014400	S.RES MCR006YZPJ 100 (10)	B	37.3/50.6
R986	7030014400	S.RES MCR006YZPJ 100 (10)	B	37.3/49.1
R987	7030014400	S.RES MCR006YZPJ 100 (10)	B	33.1/47.9
R988	7030014400	S.RES MCR006YZPJ 100 (10)	B	37.3/48.5
R989	7030014400	S.RES MCR006YZPJ 100 (10)	B	32.3/47.9
R990	7030014400	S.RES MCR006YZPJ 100 (10)	B	26.0/51.8
R991	7030014400	S.RES MCR006YZPJ 100 (10)	B	26.0/53.0
R992	7030014400	S.RES MCR006YZPJ 100 (10)	B	26.0/52.4
R993	7030014400	S.RES MCR006YZPJ 100 (10)	B	33.5/46.2
R994	7030014400	S.RES MCR006YZPJ 100 (10)	B	28.9/57.7
R995	7030014400	S.RES MCR006YZPJ 100 (10)	B	23.7/58.8
R996	7030014400	S.RES MCR006YZPJ 100 (10)	B	29.0/44.3
R997	7030014400	S.RES MCR006YZPJ 100 (10)	B	28.4/43.5
R998	7030014400	S.RES MCR006YZPJ 100 (10)	B	34.5/46.2
R999	7030014380	S.RES MCR006YZPJ 103 (10 k)	B	31.3/42.9
R1000	7030014400	S.RES MCR006YZPJ 100 (10)	B	26.0/42.5
R1001	7030014400	S.RES MCR006YZPJ 100 (10)	B	26.7/42.5
R1002	7030014400	S.RES MCR006YZPJ 100 (10)	B	26.9/47.9
R1003	7030014400	S.RES MCR006YZPJ 100 (10)	B	26.0/50.0
R1004	7030014400	S.RES MCR006YZPJ 100 (10)	B	37.3/47.9
R1005	7030014400	S.RES MCR006YZPJ 100 (10)	B	32.7/46.2
R1006	7030014380	S.RES MCR006YZPJ 103 (10 k)	B	31.5/47.9
R1007	7030014400	S.RES MCR006YZPJ 100 (10)	B	24.1/47.2
R1008	7030014400	S.RES MCR006YZPJ 100 (10)	B	26.0/44.9
R1009	7030014400	S.RES MCR006YZPJ 100 (10)	B	35.1/46.2
R1010	7030014390	S.RES MCR006YZPJ 102 (1 k)	B	33.9/47.9
R1011	7030014400	S.RES MCR006YZPJ 100 (10)	B	32.0/46.2
R1012	7030014400	S.RES MCR006YZPJ 100 (10)	B	35.5/57.6
R1013	7030014390	S.RES MCR006YZPJ 102 (1 k)	B	34.7/57.9
R1014	7030014400	S.RES MCR006YZPJ 100 (10)	B	33.8/57.9
R1015	7030014400	S.RES MCR006YZPJ 100 (10)	B	32.2/57.7
R1016	7030014590	S.RES MCR006YLPJ 000 (JPW)	B	31.6/57.7
R1017	7030014400	S.RES MCR006YZPJ 100 (10)	B	31.0/57.7
R1018	7030014400	S.RES MCR006YZPJ 100 (10)	B	29.5/57.7
R1019	7030014400	S.RES MCR006YZPJ 100 (10)	B	24.1/58.1
R1020	7030014400	S.RES MCR006YZPJ 100 (10)	B	24.1/57.5
R1021	7030014400	S.RES MCR006YZPJ 100 (10)	B	35.0/59.5
R1022	7030014400	S.RES MCR006YZPJ 100 (10)	B	32.2/59.5
R1023	7030014400	S.RES MCR006YZPJ 100 (10)	B	31.6/59.6
R1024	7030014400	S.RES MCR006YZPJ 100 (10)	B	30.1/58.8
R1025	7030014400	S.RES MCR006YZPJ 100 (10)	B	28.0/57.3
R1026	7030014400	S.RES MCR006YZPJ 100 (10)	B	24.1/56.9
R1027	7030014400	S.RES MCR006YZPJ 100 (10)	B	37.7/58.5
R1028	7030014400	S.RES MCR006YZPJ 100 (10)	B	34.3/59.5
R1029	7030014400	S.RES MCR006YZPJ 100 (10)	B	33.2/60.1
R1030	7030014400	S.RES MCR006YZPJ 100 (10)	B	28.5/62.4
R1031	7030014390	S.RES MCR006YZPJ 102 (1 k)	B	44.3/55.4
R1032	7030014400	S.RES MCR006YZPJ 100 (10)	B	36.8/57.8
R1033	7030014400	S.RES MCR006YZPJ 100 (10)	B	34.3/61.9
R1034	7030014390	S.RES MCR006YZPJ 102 (1 k)	B	31.6/62.0
R1035	7030014400	S.RES MCR006YZPJ 100 (10)	B	30.4/57.7
R1036	7030014400	S.RES MCR006YZPJ 100 (10)	B	20.6/63.1
R1037	7030014390	S.RES MCR006YZPJ 102 (1 k)	B	24.1/56.3
R1038	7030014390	S.RES MCR006YZPJ 102 (1 k)	B	24.1/55.1

[LOGIC-1 UNIT]**(for #13, #14, #16, #17, #23, #24, #27, #33, #34, and #36)**

REF NO.	PART NO.	DESCRIPTION	M.	H/V LOCATION
R1039	7030014390	S.RES MCR006YZPJ 102 (1 k)	B	26.0/54.7
R1040	7030014390	S.RES MCR006YZPJ 102 (1 k)	B	44.9/55.4
R1041	7030014400	S.RES MCR006YZPJ 100 (10)	B	24.1/54.5
R1042	7030014400	S.RES MCR006YZPJ 100 (10)	B	26.0/53.9
R1043	7030014400	S.RES MCR006YZPJ 100 (10)	B	24.1/53.5
R1044	7030014400	S.RES MCR006YZPJ 100 (10)	B	20.7/68.3
R1045	7030014400	S.RES MCR006YZPJ 100 (10)	B	43.9/52.0
R1046	7030014400	S.RES MCR006YZPJ 100 (10)	B	23.5/61.7
R1047	7030014400	S.RES MCR006YZPJ 100 (10)	B	44.0/51.4
R1050	7030014400	S.RES MCR006YZPJ 100 (10)	B	24.1/46.6
R1053	7030015970	S.RES RMC1/16S-103JTH (10 k)	T	14.7/11.9
R1054	7030015970	S.RES RMC1/16S-103JTH (10 k)	T	15.0/18.6
R1055	7030015970	S.RES RMC1/16S-103JTH (10 k)	T	15.0/10.2
R1056	7030015970	S.RES RMC1/16S-103JTH (10 k)	T	14.6/17.0
R1057	7030016150	S.RES RMC1/16S-100JTH (10)	B	41.0/40.6
R1059	7030016560	S.RES RMC1/16SJPTH [#13]	B	29.7/96.2
	7030016560	S.RES RMC1/16SJPTH [#14]		
	7030016560	S.RES RMC1/16SJPTH [#16]		
	7030016560	S.RES RMC1/16SJPTH [#17]		
R1060	7030016560	S.RES RMC1/16SJPTH [#13]	T	16.6/13.6
	7030016560	S.RES RMC1/16SJPTH [#14]		
	7030016560	S.RES RMC1/16SJPTH [#16]		
	7030016560	S.RES RMC1/16SJPTH [#17]		
R1061	7210003820	VAR TP76D1190E20-20.5F -10KB-3699		
R1062	7030016560	S.RES RMC1/16SJPTH	B	40.3/89.6
R1063	7030015970	S.RES RMC1/16S-103JTH (10 k) [#13]	T	21.8/15.1
	7030015970	S.RES RMC1/16S-103JTH (10 k) [#14]		
	7030015970	S.RES RMC1/16S-103JTH (10 k) [#16]		
	7030015970	S.RES RMC1/16S-103JTH (10 k) [#17]		
R1064	7030016560	S.RES RMC1/16SJPTH	T	13.7/4.9
R1065	7030016560	S.RES RMC1/16SJPTH	T	13.7/7.7
R1066	7030016560	S.RES RMC1/16SJPTH	T	11.3/3.6
R1067	7030016560	S.RES RMC1/16SJPTH	T	12.6/10.5
R1068	7030016560	S.RES RMC1/16SJPTH	T	23.2/46.4
R1069	7030016560	S.RES RMC1/16SJPTH	T	5.6/21.3
R1070	7030016560	S.RES RMC1/16SJPTH	T	9.4/4.5
R1071	7030016560	S.RES RMC1/16SJPTH	T	5.4/17.4
R1072	7030016560	S.RES RMC1/16SJPTH	T	8.2/3.9
R1073	7030016560	S.RES RMC1/16SJPTH	T	13.7/6.7
R1074	7030016020	S.RES RMC1/16S-104JTH (100 k)	B	28.5/46.5
R1075	7030014400	S.RES MCR006YZPJ 100 (10)	B	37.3/51.2
R1076	7030014400	S.RES MCR006YZPJ 100 (10)	B	30.9/47.9
R1077	7030016560	S.RES RMC1/16SJPTH [#13]	T	32.4/20.7
	7030016560	S.RES RMC1/16SJPTH [#14]		
	7030016560	S.RES RMC1/16SJPTH [#16]		
	7030016560	S.RES RMC1/16SJPTH [#17]		
R1078	7030016090	S.RES RMC1/16S-223JTH (22 k)	B	30.9/16.4
R1079	7030016290	S.RES RMC1/16S-222JTH (2.2 k)	B	38.0/29.0
R1081	7030016060	S.RES RMC1/16S-105JTH (1 M)	B	33.5/63.6
R1082	7030016050	S.RES RMC1/16S-102JTH (1 k)	B	36.6/42.0
R1083	7030016110	S.RES RMC1/16S-473JTH (47 k)	B	23.2/46.4
R1084	7410001340	S.ARR EXB28V473JX	B	25.3/45.0
R1085	7030014380	S.RES MCR006YZPJ 103 (10 k) [#23]	B	45.2/50.3
	7030014380	S.RES MCR006YZPJ 103 (10 k) [#24]		
	7030014380	S.RES MCR006YZPJ 103 (10 k) [#27]		
	7030014380	S.RES MCR006YZPJ 103 (10 k) [#33]		
	7030014380	S.RES MCR006YZPJ 103 (10 k) [#34]		
	7030014380	S.RES MCR006YZPJ 103 (10 k) [#36]		
R1086	7030014380	S.RES MCR006YZPJ 103 (10 k) [#23]	B	45.2/51.4
	7030014380	S.RES MCR006YZPJ 103 (10 k) [#24]		
	7030014380	S.RES MCR006YZPJ 103 (10 k) [#27]		
	7030014380	S.RES MCR006YZPJ 103 (10 k) [#33]		
	7030014380	S.RES MCR006YZPJ 103 (10 k) [#34]		
	7030014380	S.RES MCR006YZPJ 103 (10 k) [#36]		
R1087	7030016320	S.RES RMC1/16S-225JTH (2.2 M)	B	33.2/64.8
R1088	7030016240	S.RES RMC1/16S-684JTH (680 k)	B	31.9/64.1
R1089	7030016110	S.RES RMC1/16S-473JTH (47 k)	B	25.2/63.3
R1090	7030016000	S.RES RMC1/16S-823JTH (82 k) [#13]	B	5.4/18.4
	7030016000	S.RES RMC1/16S-823JTH (82 k) [#14]		
	7030016000	S.RES RMC1/16S-823JTH (82 k) [#16]		
	7030016000	S.RES RMC1/16S-823JTH (82 k) [#17]		
R1091	7030016040	S.RES RMC1/16S-224JTH (220 k) [#13]	B	9.0/17.1
	7030016040	S.RES RMC1/16S-224JTH (220 k) [#14]		
	7030016040	S.RES RMC1/16S-224JTH (220 k) [#16]		
	7030016040	S.RES RMC1/16S-224JTH (220 k) [#17]		
R1092	7030016050	S.RES RMC1/16S-102JTH (1 k) [#13]	B	42.4/8.0
	7030016050	S.RES RMC1/16S-102JTH (1 k) [#14]		
	7030016050	S.RES RMC1/16S-102JTH (1 k) [#16]		
	7030016050	S.RES RMC1/16S-102JTH (1 k) [#17]		
R1093	7030016410	S.RES RMC1/16S-561JTH (560) [#13]	B	41.9/6.8

The underlined parts have been updated from the previous version of the addendum, or the original page.

[LOGIC-1 UNIT] (for #13, #14, #16, #17, #23, #24, #27, #33, #34, and #36)

Table with columns: REF NO., PART NO., DESCRIPTION, M., H/V LOCATION. Lists components for LOGIC-1 UNIT including parts like C1005 JB 1C 105K-T, GRM21BB31C106KE15L, etc.

[LOGIC-1 UNIT] (for #13, #14, #16, #17, #23, #24, #27, #33, #34, and #36)

Table with columns: REF NO., PART NO., DESCRIPTION, M., H/V LOCATION. Lists components for LOGIC-1 UNIT including parts like 0402B102K500CT, NFM15PC104R1A3D, etc.

Eqv.= This component is equivalent to the REF No. component listed above, and may be substituted on parts orders and repairs.

M.= Mounted side (T: Mounted on the Top side, B: Mounted on the Bottom side) H/V LOCATION=See the BOARD LAYOUTS for details.

The underlined parts have been updated from the previous version of the addendum, or the original page.

[LOGIC-1 UNIT]

(for #13, #14, #16, #17, #23, #24, #27, #33, #34, and #36)

REF NO.	PART NO.	DESCRIPTION	M.	H/V LOCATION
C669	4030022630	S.CER 0402N100C500CT	B	37.1/54.5
C670	4030022520	S.CER 0402N1R0B500CT	B	42.0/53.9
C671	4030022640	S.CER 0402N101J500CT	B	42.1/56.8
C672	4030023010	S.CER 0402B104K160CT	B	39.3/58.5
C674	4030023030	S.CER 0402B103K250CT	B	26.9/68.8
C677	4030022940	S.CER 0402B104K100CT	B	27.5/43.2
C678	4030023090	S.CER 0402B102K500CT	B	31.5/41.9
C679	4030023090	S.CER 0402B102K500CT	B	37.1/56.1
C680	4030023090	S.CER 0402B102K500CT	B	36.2/56.2
C681	4030022940	S.CER 0402B104K100CT	B	35.3/56.2
C682	4030023000	S.CER 0402B683K100CT	B	22.8/65.8
C683	4030022940	S.CER 0402B104K100CT	B	24.1/68.2
C684	4030023010	S.CER 0402B104K160CT	B	36.2/54.5
C687	4030023010	S.CER 0402B104K160CT	B	25.2/36.6
C688	4030019560	S.CER GRM21BB31C106KE15L	B	23.8/36.4
C689	4030023090	S.CER 0402B102K500CT	B	29.0/27.2
C693	4030022940	S.CER 0402B104K100CT	T	16.4/15.5
C694	4030023090	S.CER 0402B102K500CT	B	18.8/82.1
		S.CER 0402B102K500CT	[#13]	
		S.CER 0402B102K500CT	[#14]	
		S.CER 0402B102K500CT	[#16]	
		S.CER 0402B102K500CT	[#17]	
C695	4030023010	S.CER 0402B104K160CT	T	18.8/7.4
C696	4030023010	S.CER 0402B104K160CT	T	15.9/11.4
C698	4030023010	S.CER 0402B104K160CT	B	39.9/47.0
C699	4030023010	S.CER 0402B104K160CT	B	43.2/42.2
C700	4030023090	S.CER 0402B102K500CT	B	44.2/42.2
C701	4030023090	S.CER 0402B102K500CT	B	25.7/33.6
C703	4030023000	S.CER 0402B683K100CT	T	21.7/11.2
		S.CER 0402B683K100CT	[#13]	
		S.CER 0402B683K100CT	[#14]	
		S.CER 0402B683K100CT	[#16]	
		S.CER 0402B683K100CT	[#17]	
C704	4030023090	S.CER 0402B102K500CT	T	22.8/17.0
		S.CER 0402B102K500CT	[#13]	
		S.CER 0402B102K500CT	[#14]	
		S.CER 0402B102K500CT	[#16]	
		S.CER 0402B102K500CT	[#17]	
C705	4030023090	S.CER 0402B102K500CT	T	24.9/13.7
		S.CER 0402B102K500CT	[#13]	
		S.CER 0402B102K500CT	[#14]	
		S.CER 0402B102K500CT	[#16]	
		S.CER 0402B102K500CT	[#17]	
C708	4030023090	S.CER 0402B102K500CT	T	26.6/20.9
C709	4030021240	S.CER C1005 JB 1C 105K-T	B	36.3/4.4
		S.CER C1005 JB 1C 105K-T	[#13]	
		S.CER C1005 JB 1C 105K-T	[#14]	
		S.CER C1005 JB 1C 105K-T	[#16]	
		S.CER C1005 JB 1C 105K-T	[#17]	
C711	4030023090	S.CER 0402B102K500CT	B	39.1/33.8
C712	4030022920	S.CER 0402N820J500CT	B	31.2/45.6
C713	4030022920	S.CER 0402N820J500CT	B	24.5/42.4
C714	4030020000	S.CER C1005 JB 1A 105K-T	B	31.3/65.3
C715	4030023820	S.CER 0603B104K250CT	B	26.7/63.6
C716	4030023210	S.CER 0402B472K500CT	B	34.1/64.8
C717	4030023210	S.CER 0402B472K500CT	B	26.9/58.1
C718	4030023210	S.CER 0402B472K500CT	B	31.5/27.6
C719	4030023210	S.CER 0402B472K500CT	B	40.0/18.9
C720	4550008210	S.TAN 267M3502 104MR	B	5.8/15.6
		S.TAN 267M3502 104MR	[#13]	
		S.TAN 267M3502 104MR	[#14]	
		S.TAN 267M3502 104MR	[#16]	
		S.TAN 267M3502 104MR	[#17]	
C721	4550008210	S.TAN 267M3502 104MR	B	9.1/20.4
		S.TAN 267M3502 104MR	[#13]	
		S.TAN 267M3502 104MR	[#14]	
		S.TAN 267M3502 104MR	[#16]	
		S.TAN 267M3502 104MR	[#17]	
C722	4030021240	S.CER C1005 JB 1C 105K-T	B	34.5/15.4
		S.CER C1005 JB 1C 105K-T	[#13]	
		S.CER C1005 JB 1C 105K-T	[#14]	
		S.CER C1005 JB 1C 105K-T	[#16]	
		S.CER C1005 JB 1C 105K-T	[#17]	
C723	4030021240	S.CER C1005 JB 1C 105K-T	B	26.5/72.0
C724	4030023090	S.CER 0402B102K500CT	B	35.9/58.6
C725	4030023090	S.CER 0402B102K500CT	T	37.7/21.4
C727	4030023090	S.CER 0402B102K500CT	B	43.9/57.2
C730	4030023090	S.CER 0402B102K500CT	B	21.5/55.5
J1	6510030220	S.CON 50RF-JMCS-G-1B-TF (N) (LF) (SN)	B	35.5/23.0
J2	6510031390	S.CON 15FXVL-RSM1-GAN-TF-1 (HF)	T	9.4/7.9
J3	6510023480	S.CON AYU1-1P-02676-120-TF	B	23.2/96.1
		S.CON AYU1-1P-02676-120-TF	[#13]	
		S.CON AYU1-1P-02676-120-TF	[#14]	
		S.CON AYU1-1P-02676-120-TF	[#16]	
		S.CON AYU1-1P-02676-120-TF	[#17]	
J4	6510031380	S.CON 31FXVL-RSM1-GAN-TF-1 (HF)	T	24.4/24.8
DS2	5040003550	S.LED NSSW208T	T	13.8/35.5
DS3	5040003550	S.LED NSSW208T	T	24.8/35.5
DS4	5040003550	S.LED NSSW208T	T	35.8/35.5
DS5	5030004360	LCD TM128160D1CIWUGND		
S23	2260003320	S.SWI SKRTLAE010	B	2.1/83.2
S24	2260003320	S.SWI SKRTLAE010	B	2.1/44.4
S25	2260003320	S.SWI SKRTLAE010	B	2.1/34.4
EP3	6910023920	S.BEA BLM15GA750SN1D	B	38.5/16.4
		S.BEA BLM15GA750SN1D	[#13]	
		S.BEA BLM15GA750SN1D	[#14]	
		S.BEA BLM15GA750SN1D	[#16]	
		S.BEA BLM15GA750SN1D	[#17]	

[LOGIC-1 UNIT]

(for #13, #14, #16, #17, #23, #24, #27, #33, #34, and #36)

REF NO.	PART NO.	DESCRIPTION	M.	H/V LOCATION
EP4	6910023920	S.BEA BLM15GA750SN1D	B	36.9/15.3
		S.BEA BLM15GA750SN1D	[#13]	
		S.BEA BLM15GA750SN1D	[#14]	
		S.BEA BLM15GA750SN1D	[#16]	
		S.BEA BLM15GA750SN1D	[#17]	
EP9	6910023920	S.BEA BLM15GA750SN1D	B	18.4/90.9
		S.BEA BLM15GA750SN1D	[#13]	
		S.BEA BLM15GA750SN1D	[#14]	
		S.BEA BLM15GA750SN1D	[#16]	
		S.BEA BLM15GA750SN1D	[#17]	
EP10	6910020610	S.BEA BLM15BD102SN1D	T	34.7/22.6
EP11	6910020610	S.BEA BLM15BD102SN1D	T	30.8/20.7
EP12	6910020610	S.BEA BLM15BD102SN1D	T	25.0/21.2
EP13	6910020610	S.BEA BLM15BD102SN1D	T	17.7/28.7
EP14	6910020610	S.BEA BLM15BD102SN1D	T	23.2/21.2
EP16	6910020610	S.BEA BLM15BD102SN1D	T	17.7/27.8
EP19	6910020610	S.BEA BLM15BD102SN1D	T	22.3/21.2

Eqv.= This component is equivalent to the REF No. component listed above, and may be substituted on parts orders and repairs.

M.= Mounted side (T: Mounted on the Top side, B: Mounted on the Bottom side)
H/V LOCATION=See the BOARD LAYOUTS for details.

The underlined parts have been updated from the previous version of the addendum, or the original page.

[MAIN-1 UNIT]

(for #13, #14, #16, #17, #23, #24, #27, #33, #34, and #36)

Table with columns: REF NO., PART NO., DESCRIPTION, M., H/V LOCATION. Lists components for MAIN-1 UNIT with various part numbers and descriptions.

[MAIN-1 UNIT]

(for #13, #14, #16, #17, #23, #24, #27, #33, #34, and #36)

Table with columns: REF NO., PART NO., DESCRIPTION, M., H/V LOCATION. Lists components for MAIN-1 UNIT with various part numbers and descriptions.

Eqv.= This component is equivalent to the REF No. component listed above, and may be substituted on parts orders and repairs.

M.= Mounted side (T: Mounted on the Top side, B: Mounted on the Bottom side) H/V LOCATION=See the BOARD LAYOUTS for details.

The underlined parts have been updated from the previous version of the addendum, or the original page.

[MAIN-1 UNIT] (for #13, #14, #16, #17, #23, #24, #27, #33, #34, and #36)

[MAIN-1 UNIT] (for #13, #14, #16, #17, #23, #24, #27, #33, #34, and #36)

Table with columns: REF NO., PART NO., DESCRIPTION, M., H/V LOCATION. Contains parts R456 through R559.

Table with columns: REF NO., PART NO., DESCRIPTION, M., H/V LOCATION. Contains parts R561 through R682 and C3 through C8.

Eqv.= This component is equivalent to the REF No. component listed above, and may be substituted on parts orders and repairs.

M.= Mounted side (T: Mounted on the Top side, B: Mounted on the Bottom side) H/V LOCATION=See the BOARD LAYOUTS for details.

The underlined parts have been updated from the previous version of the addendum, or the original page.

[MAIN-1 UNIT]

(for #13, #14, #16, #17, #23, #24, #27, #33, #34, and #36)

REF NO.	PART NO.	DESCRIPTION	M.	H/V LOCATION
C616	4030023090	S.CER 0402B102K500CT	T	24.8/92.4
C622	4030023060	S.CER 0402B183K250CT	T	46.7/42.3
C623	4030023060	S.CER 0402B183K250CT	T	46.7/40.7
C624	4030023010	S.CER 0402B104K160CT	T	46.6/38.4
C627	4030023010	S.CER 0402B104K160CT	B	10.8/9.2
C628	4030023010	S.CER 0402B104K160CT	B	13.9/5.3
C629	4050000340	S.FEE NFM21PC224R1C3D	B	32.9/6.7
C631	4030022590	S.CER 0402N8ROC500CT	B	10.2/18.3
	<u>4030022590</u>	S.CER <u>0402N8ROC500CT</u>		<u>13</u>
	<u>4030022560</u>	S.CER <u>0402N5R0B500CT</u>		<u>14</u>
	<u>4030022560</u>	S.CER <u>0402N5R0B500CT</u>		<u>16</u>
	<u>4030022560</u>	S.CER <u>0402N5R0B500CT</u>		<u>17</u>
	<u>4030022590</u>	S.CER <u>0402N8ROC500CT</u>		<u>23</u>
	<u>4030022590</u>	S.CER <u>0402N8ROC500CT</u>		<u>24</u>
	<u>4030022560</u>	S.CER <u>0402N5R0B500CT</u>		<u>27</u>
	<u>4030022590</u>	S.CER <u>0402N8ROC500CT</u>		<u>33</u>
	<u>4030022590</u>	S.CER <u>0402N8ROC500CT</u>		<u>34</u>
	<u>4030022560</u>	S.CER <u>0402N5R0B500CT</u>		<u>36</u>
C632	4030022720	S.CER 0402N1R5B500CT	B	7.6/17.6
	<u>4030022720</u>	S.CER <u>0402N1R5B500CT</u>		<u>13</u>
	<u>4030022810</u>	S.CER <u>0402N330J500CT</u>		<u>14</u>
	<u>4030022810</u>	S.CER <u>0402N330J500CT</u>		<u>16</u>
	<u>4030022810</u>	S.CER <u>0402N330J500CT</u>		<u>17</u>
	<u>4030022720</u>	S.CER <u>0402N1R5B500CT</u>		<u>23</u>
	<u>4030022720</u>	S.CER <u>0402N1R5B500CT</u>		<u>24</u>
	<u>4030022810</u>	S.CER <u>0402N330J500CT</u>		<u>27</u>
	<u>4030022720</u>	S.CER <u>0402N1R5B500CT</u>		<u>33</u>
	<u>4030022720</u>	S.CER <u>0402N1R5B500CT</u>		<u>34</u>
	<u>4030022810</u>	S.CER <u>0402N330J500CT</u>		<u>36</u>
C633	4030023010	S.CER 0402B104K160CT	B	11.1/18.7
C634	4030023010	S.CER 0402B104K160CT	B	13.0/24.2
C635	4030023010	S.CER 0402B104K160CT	B	12.1/28.8
C636	4030023010	S.CER 0402B104K160CT	B	13.1/15.0
C637	4030023010	S.CER 0402B104K160CT	B	12.2/13.7
C638	4030023010	S.CER 0402B104K160CT	B	25.5/57.0
C639	4030023090	S.CER 0402B102K500CT	B	40.6/108.4
C640	4030023090	S.CER 0402B102K500CT	B	45.6/104.3
C641	4030023010	S.CER 0402B104K160CT	T	43.6/46.2
C642	4030023010	S.CER 0402B104K160CT	T	47.9/39.2
C643	4030023010	S.CER 0402B104K160CT	T	41.7/43.5
C644	4030023200	S.CER 0402B471K500CT	T	48.0/41.1
C645	4030023010	S.CER 0402B104K160CT	T	42.1/50.2
C646	4030019560	S.CER GRM21BB31C106KE15L	T	32.8/91.3
C647	4030023010	S.CER 0402B104K160CT	T	28.1/89.8
C648	4030023090	S.CER 0402B102K500CT	B	12.2/60.3
C649	4030023090	S.CER 0402B102K500CT	B	10.2/61.7
C650	4030023010	S.CER 0402B104K160CT	T	19.8/15.8
C651	4030023010	S.CER 0402B104K160CT	T	13.8/21.2
C652	4030023010	S.CER 0402B104K160CT	T	11.7/15.2
C653	4030021240	S.CER C1005 JB 1C 105K-T	T	22.0/97.1
C656	4030023090	S.CER 0402B102K500CT	T	15.6/7.8
C660	4030023090	S.CER 0402B102K500CT	B	6.6/67.2
C661	4030023010	S.CER 0402B104K160CT	T	40.6/46.4
C662	4030023010	S.CER 0402B104K160CT	T	41.2/44.9
C663	4030023010	S.CER 0402B104K160CT	T	33.2/85.4
C664	4030023010	S.CER 0402B104K160CT	B	36.5/41.7
C665	4030023070	S.CER 0402B223K250CT	B	20.7/75.2
C666	4030023010	S.CER 0402B104K160CT	T	34.3/22.5
C667	4030023090	S.CER 0402B102K500CT	B	14.0/15.0
C668	4030023090	S.CER 0402B102K500CT	B	12.0/18.7
C669	4030023090	S.CER 0402B102K500CT	B	13.9/24.2
C670	4030023090	S.CER 0402B102K500CT	B	13.0/29.4
C671	4030022640	S.CER 0402N101J500CT	B	6.0/21.5
C672	4030022640	S.CER 0402N101J500CT	B	6.9/16.1
C673	4030023090	S.CER 0402B102K500CT	T	42.4/45.6
C674	4030023090	S.CER 0402B102K500CT	T	16.1/22.4
C675	4030023090	S.CER 0402B102K500CT	T	6.5/15.7
C676	4030023090	S.CER 0402B102K500CT	T	19.3/79.5
C677	4030019560	S.CER GRM21BB31C106KE15L	B	24.5/68.6
	<u>4030019560</u>	S.CER <u>GRM21BB31C106KE15L</u>		<u>13</u>
	<u>4030019560</u>	S.CER <u>GRM21BB31C106KE15L</u>		<u>14</u>
	<u>4030019560</u>	S.CER <u>GRM21BB31C106KE15L</u>		<u>16</u>
	<u>4030019560</u>	S.CER <u>GRM21BB31C106KE15L</u>		<u>17</u>
C680	4030023010	S.CER 0402B104K160CT	T	32.7/86.6
	<u>4030023010</u>	S.CER <u>0402B104K160CT</u>		<u>13</u>
	<u>4030023010</u>	S.CER <u>0402B104K160CT</u>		<u>14</u>
	<u>4030023010</u>	S.CER <u>0402B104K160CT</u>		<u>16</u>
	<u>4030023010</u>	S.CER <u>0402B104K160CT</u>		<u>17</u>
C681	4030023010	S.CER 0402B104K160CT	T	35.2/81.9
	<u>4030023010</u>	S.CER <u>0402B104K160CT</u>		<u>13</u>
	<u>4030023010</u>	S.CER <u>0402B104K160CT</u>		<u>14</u>
	<u>4030023010</u>	S.CER <u>0402B104K160CT</u>		<u>16</u>
	<u>4030023010</u>	S.CER <u>0402B104K160CT</u>		<u>17</u>
C682	4030023010	S.CER 0402B104K160CT	T	30.1/71.4
C683	4030023090	S.CER 0402B102K500CT	B	43.1/94.4
C684	4030023090	S.CER 0402B102K500CT	B	38.9/95.7
C694	4030023090	S.CER 0402B102K500CT	T	36.7/58.4
C704	4030023090	S.CER 0402B102K500CT	T	40.1/58.6
C706	4030023090	S.CER 0402B102K500CT	T	38.3/58.6
C712	4030023820	S.CER 0603B104K250CT	T	7.1/19.1
C713	4550008850	S.TAN F931C227MNC	T	25.8/29.5
C715	4030023010	S.CER 0402B104K160CT	T	47.2/43.6
J1	6450000870	CON HEC2711-01-020		
J2	6450000131	CON HSJ1102-018540		
J4	6510021901	S.CON BM02B-ASRS-TF (LF) (SN)	T	13.0/4.0
J5	6450001060	CON HSJ1493-01-010		
J6	6510031230	S.CON 50P4.5-JMCS-G-TF (N) (1)	T	35.7/54.3
MC1	7700003060	MIC F6027AP-SBC-462		
S1	2260003640	SWI SKHLLCA010		

[MAIN-1 UNIT]

(for #13, #14, #16, #17, #23, #24, #27, #33, #34, and #36)

REF NO.	PART NO.	DESCRIPTION	M.	H/V LOCATION
EP3	6910014640	S.BEA MPZ2012S221A-T	T	39.3/14.4
EP4	6910014640	S.BEA MPZ2012S221A-T	T	19.5/121.0
EP5	6910014730	S.BEA MPZ2012S331A-T	T	37.0/102.8
EP6	6910014730	S.BEA MPZ2012S331A-T	B	40.2/110.9
EP7	6910014730	S.BEA MPZ2012S331A-T	B	41.8/106.3
EP10	6910014730	S.BEA MPZ2012S331A-T	T	13.9/8.6
EP11	6910014730	S.BEA MPZ2012S331A-T	B	39.7/103.7
EP13	6910020610	S.BEA BLM15BD102SN1D	T	15.7/47.5
EP14	6910020610	S.BEA BLM15BD102SN1D	T	12.5/47.6
EP15	6910014640	S.BEA MPZ2012S221A-T	T	39.7/18.7
EP16	6910014640	S.BEA MPZ2012S221A-T	T	18.5/89.0
EP18	6910020610	S.BEA BLM15BD102SN1D	T	27.7/56.8
EP19	6910020610	S.BEA BLM15BD102SN1D	T	23.5/54.5
EP20	6910020610	S.BEA BLM15BD102SN1D	T	26.6/42.9
EP21	6910020610	S.BEA BLM15BD102SN1D	T	32.6/34.2
EP23	6910014730	S.BEA MPZ2012S331A-T	T	12.2/8.6
EP24	6910014730	S.BEA MPZ2012S331A-T	B	42.4/92.3
EP25	6910020610	S.BEA BLM15BD102SN1D	B	36.5/87.2
EP26	6910020610	S.BEA BLM15BD102SN1D	B	40.1/95.7
EP28	6910020610	S.BEA BLM15BD102SN1D	T	26.9/110.8
EP29	6910014640	S.BEA MPZ2012S221A-T	T	30.3/110.0
EP30	6910014640	S.BEA MPZ2012S221A-T	B	34.9/10.9
EP31	6910020610	S.BEA BLM15BD102SN1D	T	19.5/111.2

Eqv.= This component is equivalent to the REF No. component listed above, and may be substituted on parts orders and repairs.

M.= Mounted side (T: Mounted on the Top side, B: Mounted on the Bottom side)
H/V LOCATION=See the BOARD LAYOUTS for details.

SECTION 6 MECHANICAL PARTS

The underlined parts have been updated from the previous version of the addendum, or the original page.

[CHASSIS UNIT]

REF NO.	PART NO.	DESCRIPTION	QTY.
SP1	2510002150	C36N07M-7	1
W1	<u>8900009641</u>	<u>OPC-963-1</u>	1
EP1	3310005090	GNBA-A13A	[#11] 1
	3310005090	GNBA-A13A	[#12] 1
	3310005090	GNBA-A13A	[#13] 1
	3310005090	GNBA-A13A	[#14] 1
	<u>3310005090</u>	<u>GNBA-A13A</u>	[#16] 1
	<u>3310005090</u>	<u>GNBA-A13A</u>	[#17] 1
EP2	<u>8940000081</u>	<u>3699 KEY P.C.B.-1</u>	1
MP1	8010024120	3699 CHASSIS	1
MP2	8210032970	3699 FRONT PANEL ASSEMBLY	[#11] 1
	8210032970	3699 FRONT PANEL ASSEMBLY	[#12] 1
	8210032970	3699 FRONT PANEL ASSEMBLY	[#13] 1
	8210032970	3699 FRONT PANEL ASSEMBLY	[#14] 1
	8210032970	3699 FRONT PANEL ASSEMBLY	[#16] 1
	<u>8210032970</u>	<u>3699 FRONT PANEL ASSEMBLY</u>	[#17] 1
	8210032960	3699 FRONT PANEL (A) ASSEMBLY	[#21] 1
	8210032960	3699 FRONT PANEL (A) ASSEMBLY	[#22] 1
	8210032960	3699 FRONT PANEL (A) ASSEMBLY	[#23] 1
	8210032960	3699 FRONT PANEL (A) ASSEMBLY	[#24] 1
	8210032960	3699 FRONT PANEL (A) ASSEMBLY	[#27] 1
	8210032960	3699 FRONT PANEL (A) ASSEMBLY	[#31] 1
	8210032960	3699 FRONT PANEL (A) ASSEMBLY	[#33] 1
	8210032960	3699 FRONT PANEL (A) ASSEMBLY	[#34] 1
	8210032960	3699 FRONT PANEL (A) ASSEMBLY	[#36] 1
MP5	8310091150	3699 WINDOW PLATE	1
MP6	8610016330	KNOB N-449	1
MP7	8610016340	KNOB N-450	1
MP10	8930096800	3699 JACK CAP (KOB)	1
MP11	8930096810	3699 DC CAP	1
MP12	8930096820	3699 MAIN SEAL (SHJ)	1
MP13	8930096830	3699 MIC RUBBER (TOP)	1
MP14	8930096840	3699 CONTACT RUBBER (TOP)	1
MP15	8930098760	INSULATION SHEET (OP)	[#11] 1
	8930098760	INSULATION SHEET (OP)	[#12] 1
	8930098760	INSULATION SHEET (OP)	[#13] 1
	8930098760	INSULATION SHEET (OP)	[#14] 1
	8930098760	INSULATION SHEET (OP)	[#16] 1
	8930098760	INSULATION SHEET (OP)	[#17] 1
MP16	8930096850	3699 WINDOW SHEET	1
MP18	8930083690	3322 GPS SPONGE	[#11] 1
	8930083690	3322 GPS SPONGE	[#12] 1
	8930083690	3322 GPS SPONGE	[#13] 1
	8930083690	3322 GPS SPONGE	[#14] 1
	8930083690	3322 GPS SPONGE	[#16] 1
	8930083690	3322 GPS SPONGE	[#17] 1
MP20	8830004260	3776 ANT NUT	1
MP21	8830003900	VR NUT (AF)	1
MP23	8930074350	O-RING (BW) (KSK)	1
MP24	8930088050	O-RING (CS) (TOT)	1
MP25	8930090100	O-RING (CX) (TOT)	1
MP26	8850003421	SEALING WASHER (AA)-1 (TOT)	1
MP27	8930098360	3699 VOL RUBBER (TOP)	1
MP28	8930084870	3384 REAR SHEET	1
MP29	8930088670	3521 VENT SHEET	1
MP30	8930068980	2905 VENT SHEET	1
MP32	8930083700	DOUBLE SIDE TAPE (BM)	[#11] 1
	8930083700	DOUBLE SIDE TAPE (BM)	[#12] 1
	8930083700	DOUBLE SIDE TAPE (BM)	[#13] 1
	8930083700	DOUBLE SIDE TAPE (BM)	[#14] 1
	8930083700	DOUBLE SIDE TAPE (BM)	[#16] 1
	8930083700	DOUBLE SIDE TAPE (BM)	[#17] 1
MP34	8810011050	BT O M2x3 NI-ZC3	11
MP35	8810009181	BT M2x5 NI-ZC3	2
MP36	8810009511	PH BT M2x4 NI-ZC3 (3.6-4.0)	1
MP37	8810011050	BT O M2x3 NI-ZC3	6
MP38	8810010850	PH BT B0 M2x8 SUS SSBC	2
MP39	8810011830	TAPPING SCREW B0 2x4 SUS SSBC	1
MP40	8850003250	PLAIN WASHER (AU)	1
MP41	8950009290	3766 T-KEY (B) (YTP)	[#11] 1
	8950009290	3766 T-KEY (B) (YTP)	[#12] 1
	8950009300	3766 T-KEY (C) (YTP)	[#13] 1
	8950009300	3766 T-KEY (C) (YTP)	[#14] 1
	8950009290	3766 T-KEY (B) (YTP)	[#16] 1
	8950009290	3766 T-KEY (B) (YTP)	[#17] 1
	8950009310	3766 T-KEY (D) (YTP)	[#21] 1
	8950009310	3766 T-KEY (D) (YTP)	[#22] 1
	8950009320	3766 T-KEY (E) (YTP)	[#23] 1
	8950009320	3766 T-KEY (E) (YTP)	[#24] 1
	8950009310	3766 T-KEY (D) (YTP)	[#27] 1
	8950009310	3766 T-KEY (D) (YTP)	[#31] 1
	8950009320	3766 T-KEY (E) (YTP)	[#33] 1
	8950009320	3766 T-KEY (E) (YTP)	[#34] 1
	8950009310	3766 T-KEY (D) (YTP)	[#36] 1
MP42	8930097220	3699 SP HOLDER	1
MP43	8930097830	3699 SPONGE	2

[CHASSIS UNIT]

REF NO.	PART NO.	DESCRIPTION	QTY.
MP44	8930098420	SPONGE (PK)	2
MP45	8930098420	SPONGE (PK)	1
MP46	8930098430	SPONGE (PL)	3
MP47	8930098410	SPONGE (PJ)	1
MP49	8930098420	SPONGE (PK)	2

[LOGIC UNIT] (for #11, #12, #21, #22, and #31)

REF NO.	PART NO.	DESCRIPTION	QTY.
DS5	5030004360	TM128160D1CIWUGND	1
S23*	2260003320	SKRTLAE010	1
S24*	2260003320	SKRTLAE010	1
S25*	2260003320	SKRTLAE010	1
MP1*	8510022120	3699 VCO CASE	[#11] 1
	8510022120	3699 VCO CASE	[#12] 1
MP2	8930096860	3699 WHITE SHEET	1
MP3	8930096870	3699 LCD FILTER	1
MP4	8930094680	DOUBLE SIDE TAPE (CC)	2
MP5	8210032890	3699 REFLECTOR	1
MP6	8510022280	3699 CPU SHIELD	1
MP7	8930097820	3699 LCD HOLDER	1
MP8	8930083700	DOUBLE SIDE TAPE (BM)	1

[MAIN UNIT] (for #11, #12, #21, #22, and #31)

REF NO.	PARTS NO.	DESCRIPTION	QTY.
MC1	7700003060	F6027AP-SBC-462	1
S1	2260003640	SKHLLCA010	1
MP1*	8410003040	3699 PA HEATSINK	1
MP3*	8510022120	3699 VCO CASE	1
MP5	8950009230	3699 CONTACT SPRING	1
MP10	8930097700	3699 JACK SHEET	1
MP11	8510022270	3699 ANT SHIELD	1
MP12	8510022260	3699 PA CASE	1
MP20	8930070581	SHIELD SPONGE (BA)-1	1
MP21	8930085101	SHIELD SPONGE (CW)-1	1
MP22	8930085111	SHIELD SPONGE (CX)-1	1
MP23	8930058510	INSULATION SHEETHC	1
MP24	8930084910	THERMAL SHEET (CB)	2

*: Refer to "BOARD LAYOUTS" for the location.

Screw abbreviations A, B0, BT: Self-tapping PH: Pan head BS: Brass NI: Nickel ZU: Zinc SUS: Stainless

The underlined parts have been updated from the previous version of the addendum, or the original page.

[LOGIC-1 UNIT]

(for #13, #14, #16, #17, #23, #24, #27, #33, #34, and #36)

REF NO.	PART NO.	DESCRIPTION	QTY.
DS5	5030004360	TM128160D1CIWUGND	1
S23*	2260003320	SKRTLAE010	1
S24*	2260003320	SKRTLAE010	1
S25*	2260003320	SKRTLAE010	1
MP1*	8510022120	3699 VCO CASE	[#13] 1
	8510022120	3699 VCO CASE	[#14] 1
	8510022120	3699 VCO CASE	[#16] 1
	8510022120	3699 VCO CASE	[#17] 1
MP2	8930096860	3699 WHITE SHEET	1
MP3	8930096870	3699 LCD FILTER	1
MP4	8930094680	DOUBLE SIDE TAPE (CC)	2
MP5	8210032890	3699 REFLECTOR	1
MP6	8510022280	3699 CPU SHIELD	1
MP7	8930097820	3699 LCD HOLDER	1
MP8	8930083700	DOUBLE SIDE TAPE (BM)	1

[MAIN-1 UNIT]

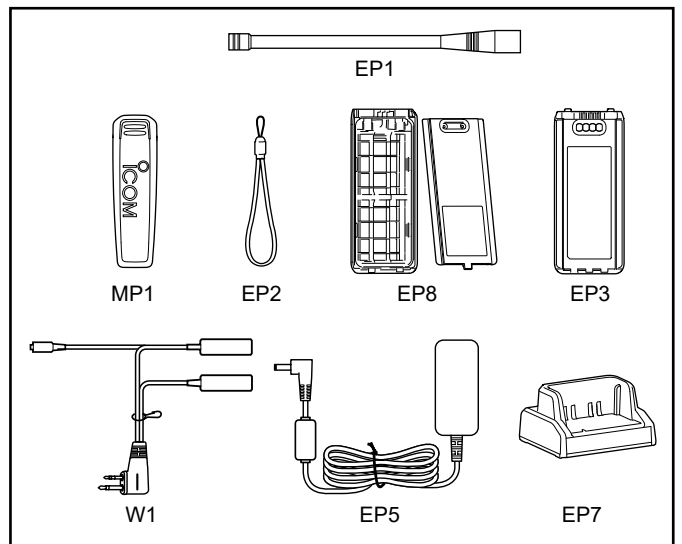
(for #13, #14, #16, #17, #23, #24, #27, #33, #34, and #36)

REF NO.	PART NO.	DESCRIPTION	QTY.
MC1	7700003060	F6027AP-SBC-462	1
S1	2260003640	SKHLLCA010	1
MP1*	8410003040	3699 PA HEATSINK	1
MP3*	8510022120	3699 VCO CASE	1
MP5	8950009230	3699 CONTACT SPRING	1
MP10	8930097700	3699 JACK SHEET	1
MP11	8510022270	3699 ANT SHIELD	1
MP12	8510022260	3699 PA CASE	1
MP20	8930070581	SHIELD SPONGE (BA)-1	1
MP21	8930072061	SHIELD SPONGE (BU)-1	1
MP22	8930085111	SHIELD SPONGE (CX)-1	1
MP23	8930058510	INSULATION SHEETHC	1

[ACCESSORIES]

REF NO.	PART NO.	DESCRIPTION	QTY.
W1	-	OPC-2379†	[#11] 1
	-	OPC-2379†	[#13] 1
	-	OPC-2379†	[#14] 1
	-	OPC-2379†	[#16] 1
	-	OPC-2379†	[#21] 1
	-	OPC-2379†	[#23] 1
	-	OPC-2379†	[#24] 1
	-	OPC-2379†	[#31] 1
	-	OPC-2379†	[#34] 1
	-	OPC-2379†	[#36] 1
EP1	3310002130	FA-B02AR (125)	1
EP2	6910028080	BLACK NYLON STRAP	1
EP3	-	BP-288†	[#11] 1
	-	BP-288†	[#12] 1
	-	BP-288†	[#13] 1
	-	BP-288†	[#14] 1
	-	BP-288†	[#16] 1
	-	BP-288†	[#17] 1
	-	BP-288†	[#21] 1
	-	BP-288†	[#22] 1
	-	BP-288†	[#23] 1
	-	BP-288†	[#24] 1
	-	BP-288†	[#27] 1
	-	BP-288†	[#33] 1
	-	BP-288†	[#34] 1
EP5	-	BC-123SA†	[#11] 1
	-	BC-123SE†	[#12] 1
	-	BC-123SE†	[#13] 1
	-	BC-123SV†	[#14] 1
	-	BC-123SA†	[#16] 1
	-	BC-123SE†	[#17] 1
	-	BC-123SA†	[#21] 1
	-	BC-123SE†	[#22] 1
	-	BC-123SE†	[#23] 1
	-	BC-123SV†	[#24] 1
	-	BC-123SE†	[#27] 1
	-	BC-123SE†	[#33] 1
	-	BC-123SV†	[#34] 1
EP7	-	BC-224†	[#11] 1
	-	BC-224†	[#12] 1
	-	BC-224†	[#13] 1
	-	BC-224†	[#14] 1
	-	BC-224†	[#16] 1
	-	BC-224†	[#17] 1
	-	BC-224†	[#21] 1
	-	BC-224†	[#22] 1
	-	BC-224†	[#23] 1
	-	BC-224†	[#24] 1
	-	BC-224†	[#27] 1
	-	BC-224†	[#33] 1
	-	BC-224†	[#34] 1
EP8	-	BP-289†	[#11] 1
	-	BP-289†	[#13] 1
	-	BP-289†	[#14] 1
	-	BP-289†	[#16] 1
	-	BP-289†	[#21] 1
	-	BP-289†	[#23] 1
	-	BP-289†	[#24] 1
	-	BP-289†	[#31] 1
	-	BP-289†	[#36] 1
MP1	-	MB-133†	1

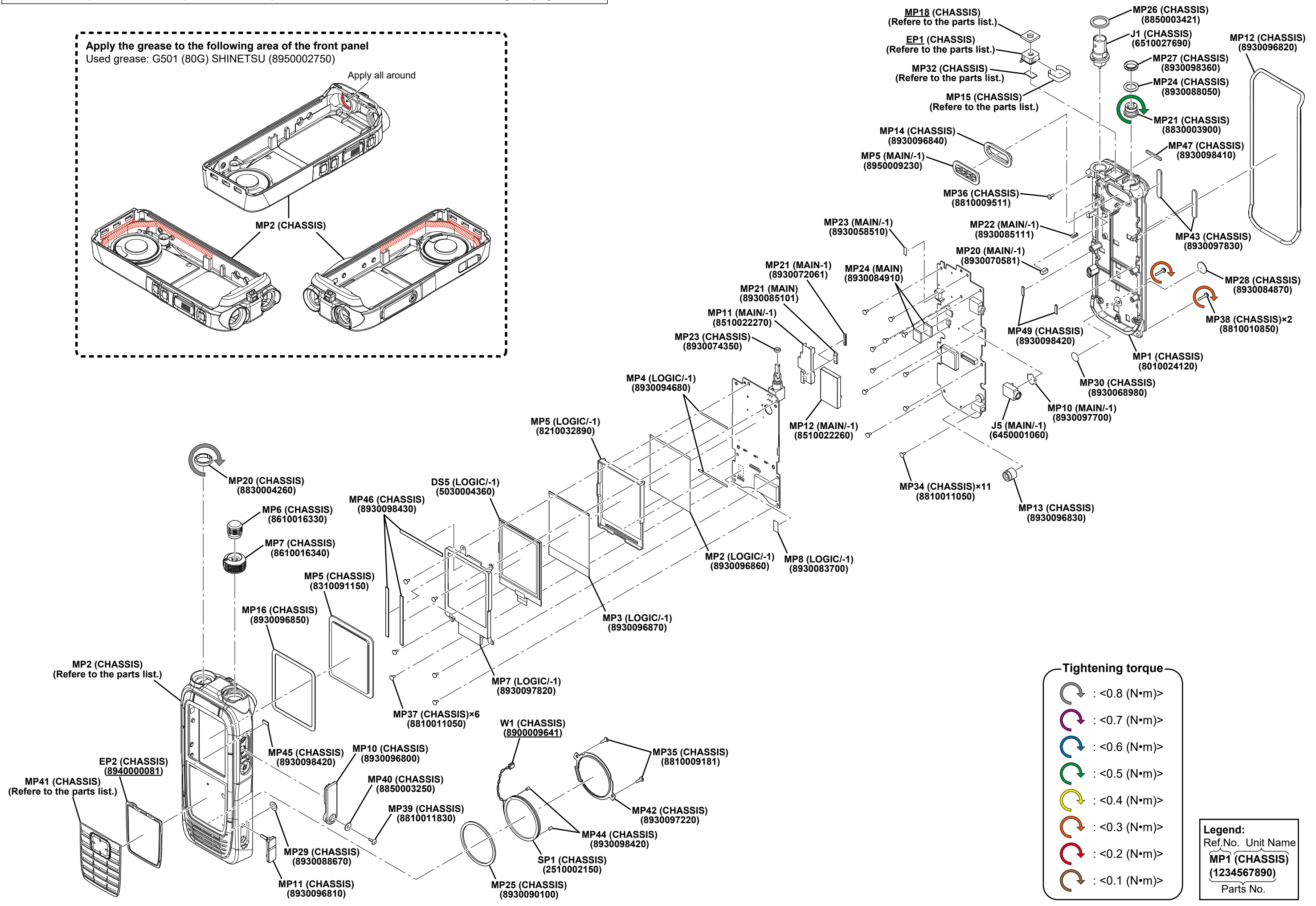
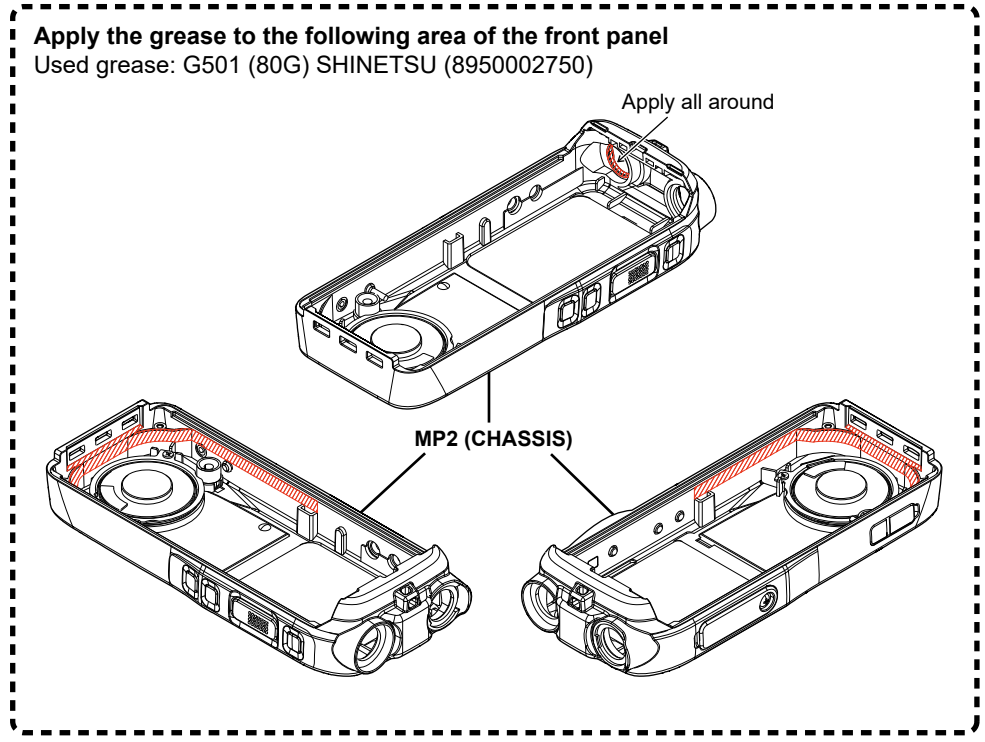
† Sold as an option.



*: Refer to "BOARD LAYOUTS" for the location.

Screw abbreviations A, B0, BT: Self-tapping PH: Pan head BS: Brass NI: Nickel ZU: Zinc SUS: Stainless

The underlined parts have been updated from the previous version of the addendum, or the original page.



Tightening torque

	: <0.8 (N·m)>
	: <0.7 (N·m)>
	: <0.6 (N·m)>
	: <0.5 (N·m)>
	: <0.4 (N·m)>
	: <0.3 (N·m)>
	: <0.2 (N·m)>
	: <0.1 (N·m)>

Legend:

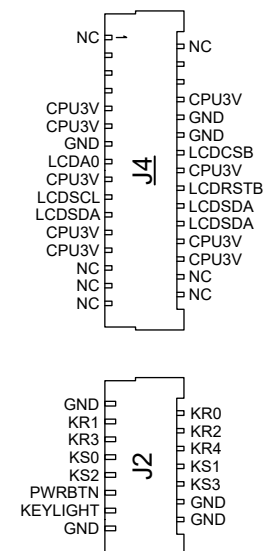
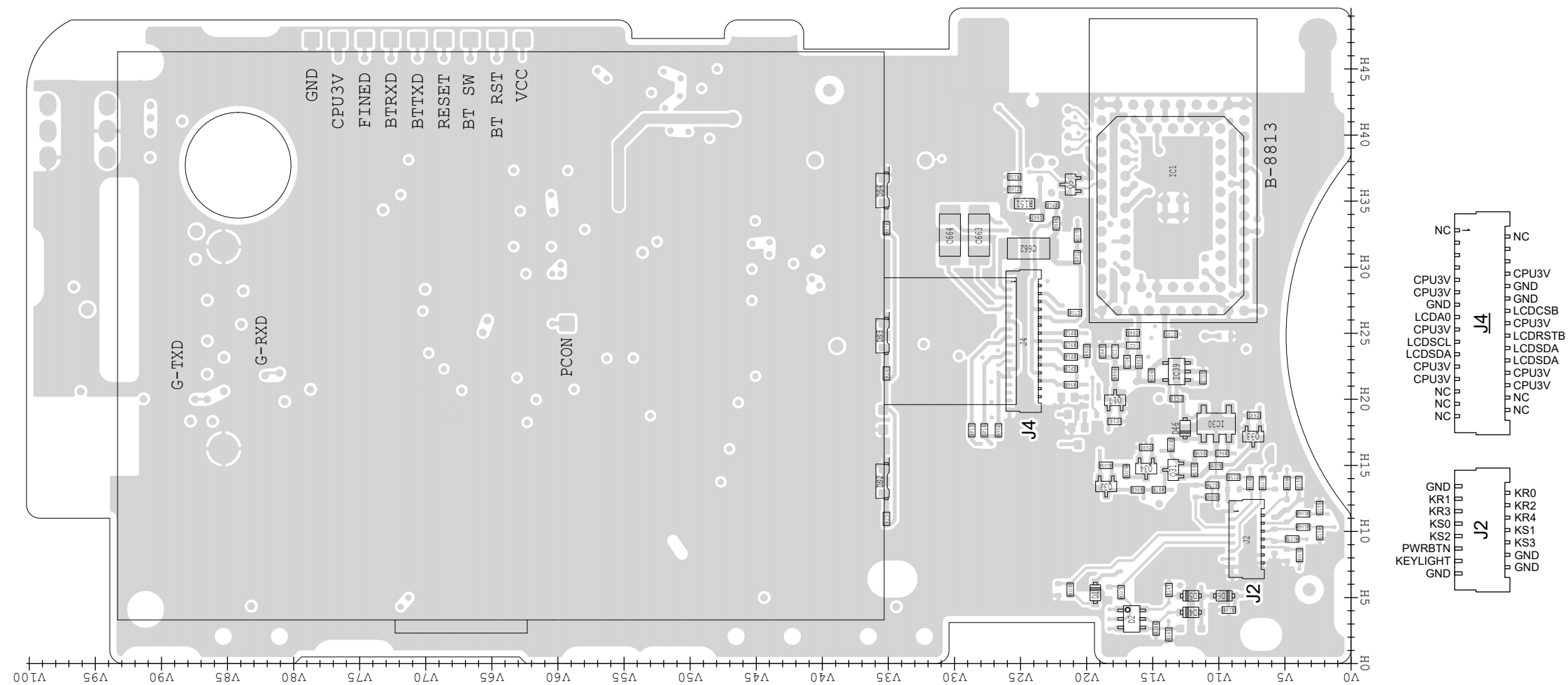
Ref.No.	Unit Name
MP1 (CHASSIS)	(1234567890)
Parts No.	

BOARD LAYOUTS

The actual configuration of the PC board can be seen by viewing the top and bottom BOARD LAYOUT pages together.

The underlined parts have been updated from the previous version of the addendum, or the original page.

• LOGIC UNIT (B-8813 for #11, #12, #21, #22, and #31: TOP VIEW)

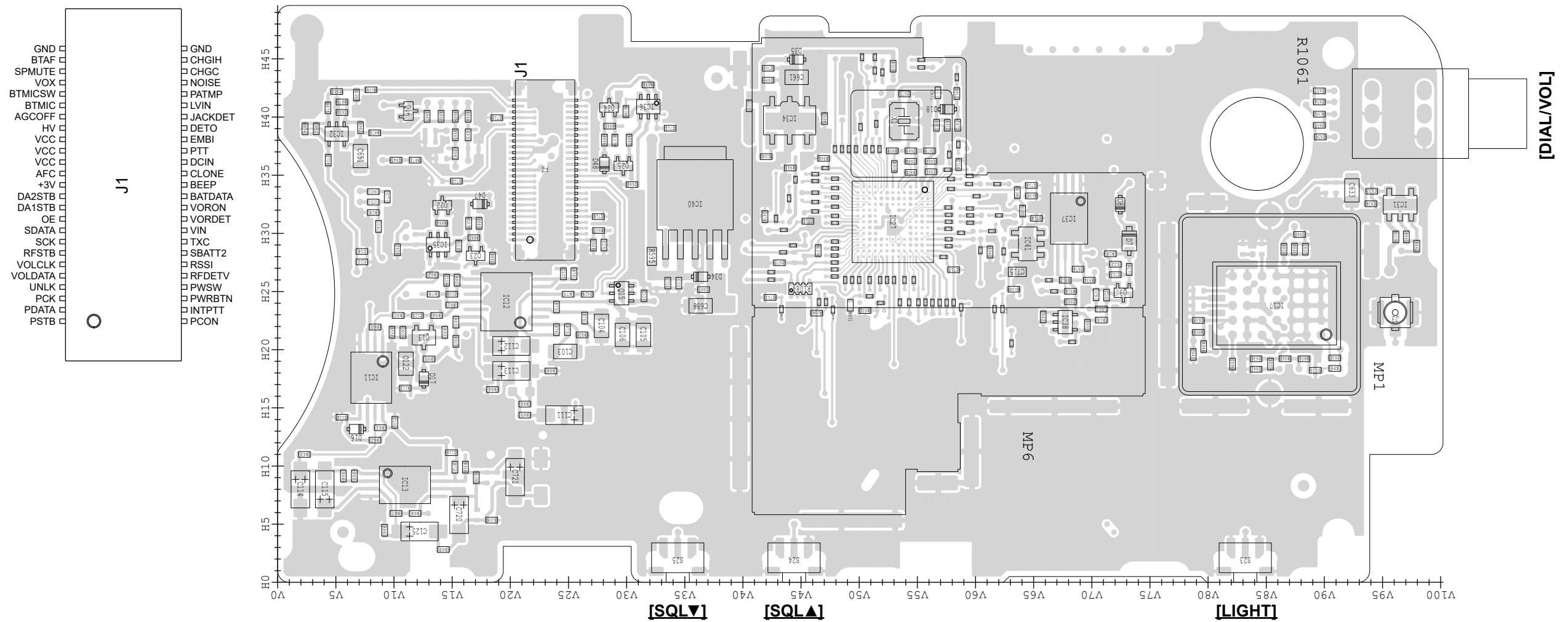


See the PARTS LIST H/V location on the PARTS LIST for location details.

The actual configuration of the PC board can be seen by viewing the top and bottom BOARD LAYOUT pages together.

The underlined parts have been updated from the previous version of the addendum, or the original page.

• LOGIC UNIT (B-8813 for #11, #12, #21, #22, and #31: BOTTOM VIEW)

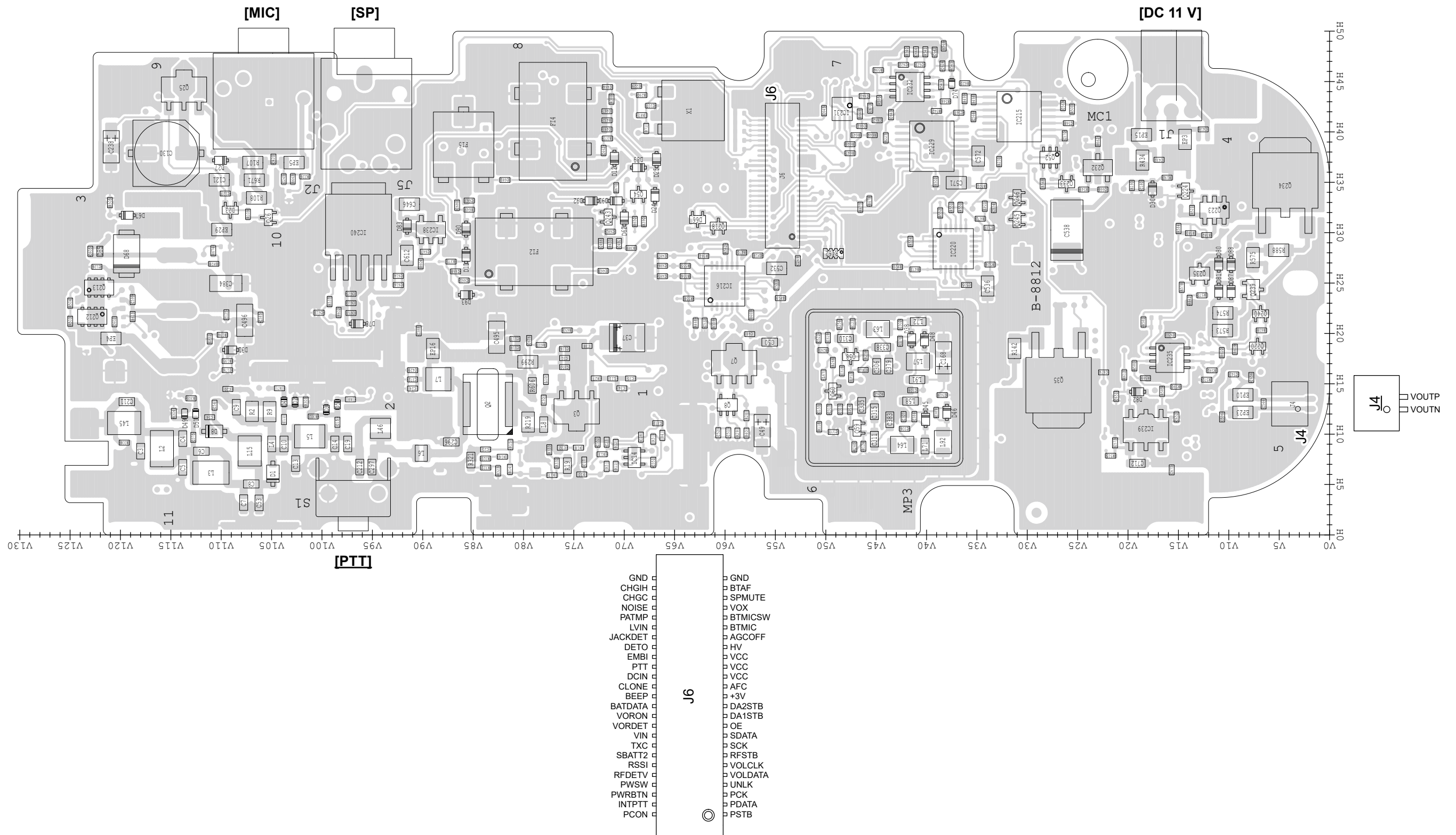


See the PARTS LIST H/V location on the PARTS LIST for location details.

The actual configuration of the PC board can be seen by viewing the top and bottom BOARD LAYOUT pages together.

The underlined parts have been updated from the previous version of the addendum, or the original page.

• MAIN UNIT (B-8812 for #11, #12, #21, #22, and #31: TOP VIEW)

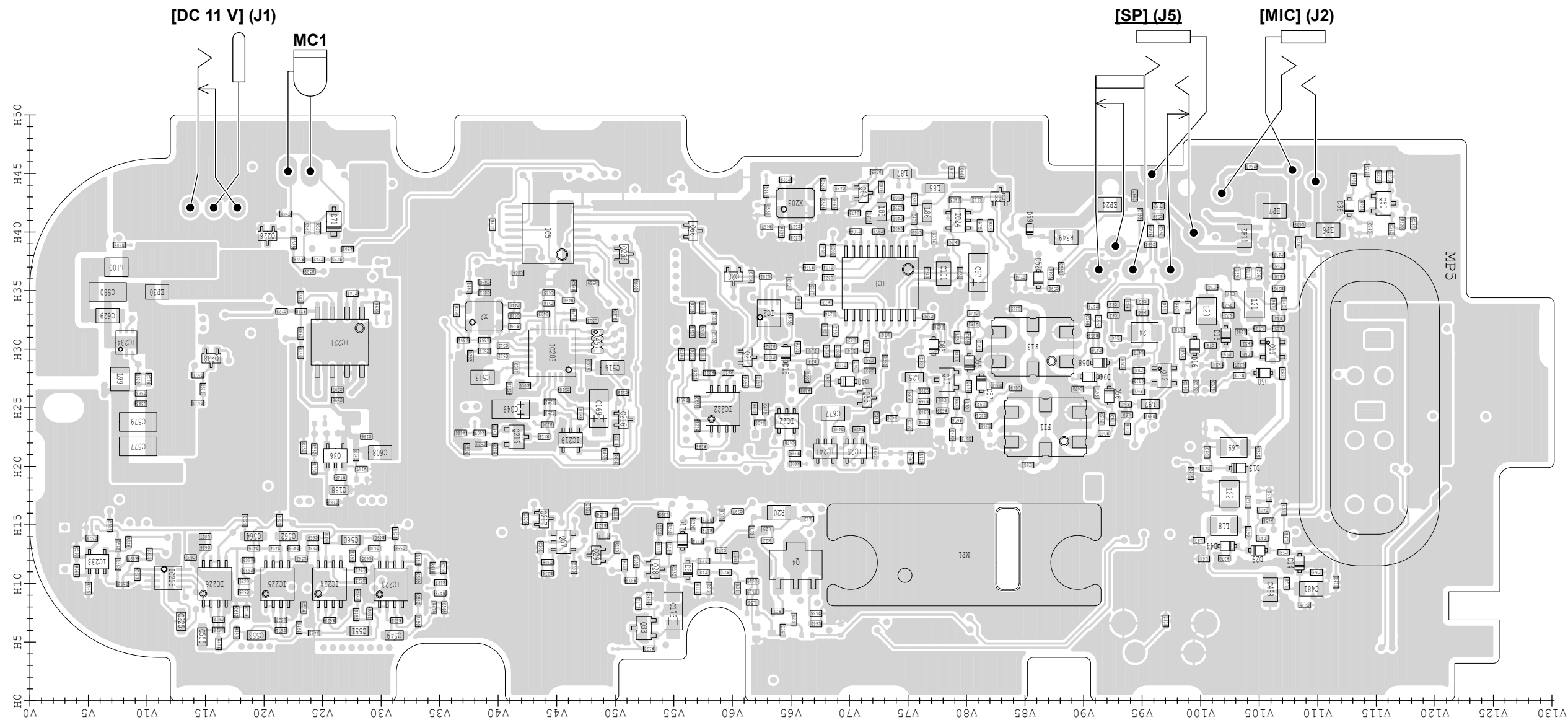


See the PARTS LIST H/V location on the PARTS LIST for location details.

The actual configuration of the PC board can be seen by viewing the top and bottom BOARD LAYOUT pages together.

• MAIN UNIT (B-8812 for #11, #12, #21, #22, and #31: BOTTOM VIEW)

The underlined parts have been updated from the previous version of the addendum, or the original page.

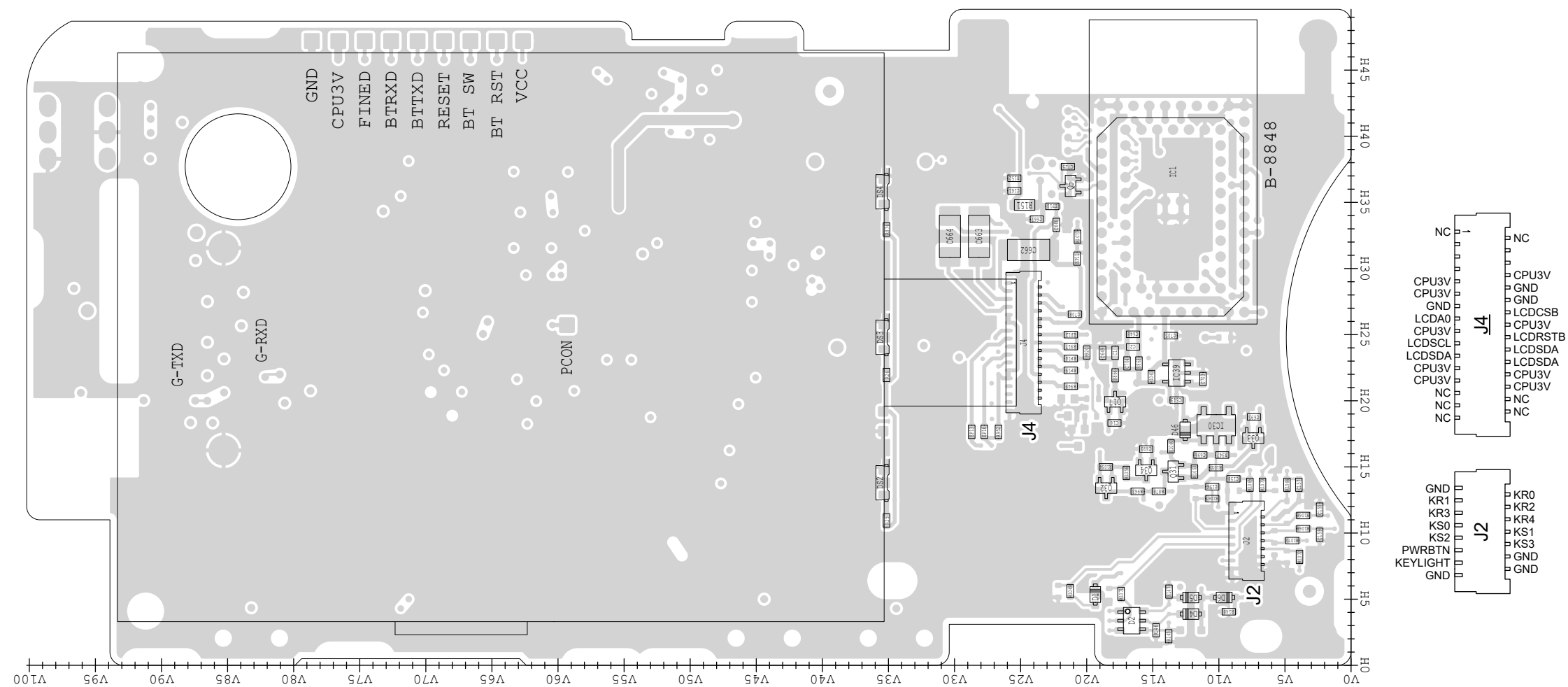


See the PARTS LIST H/V location on the PARTS LIST for location details.

The actual configuration of the PC board can be seen by viewing the top and bottom BOARD LAYOUT pages together.

The underlined parts have been updated from the previous version of the addendum, or the original page.

• LOGIC-1 UNIT (B-8848 for #13, #14, #16, #17, #23, #24, #27, #33, #34, and #36: TOP VIEW)



The serial numbers of transceivers used this PCB.

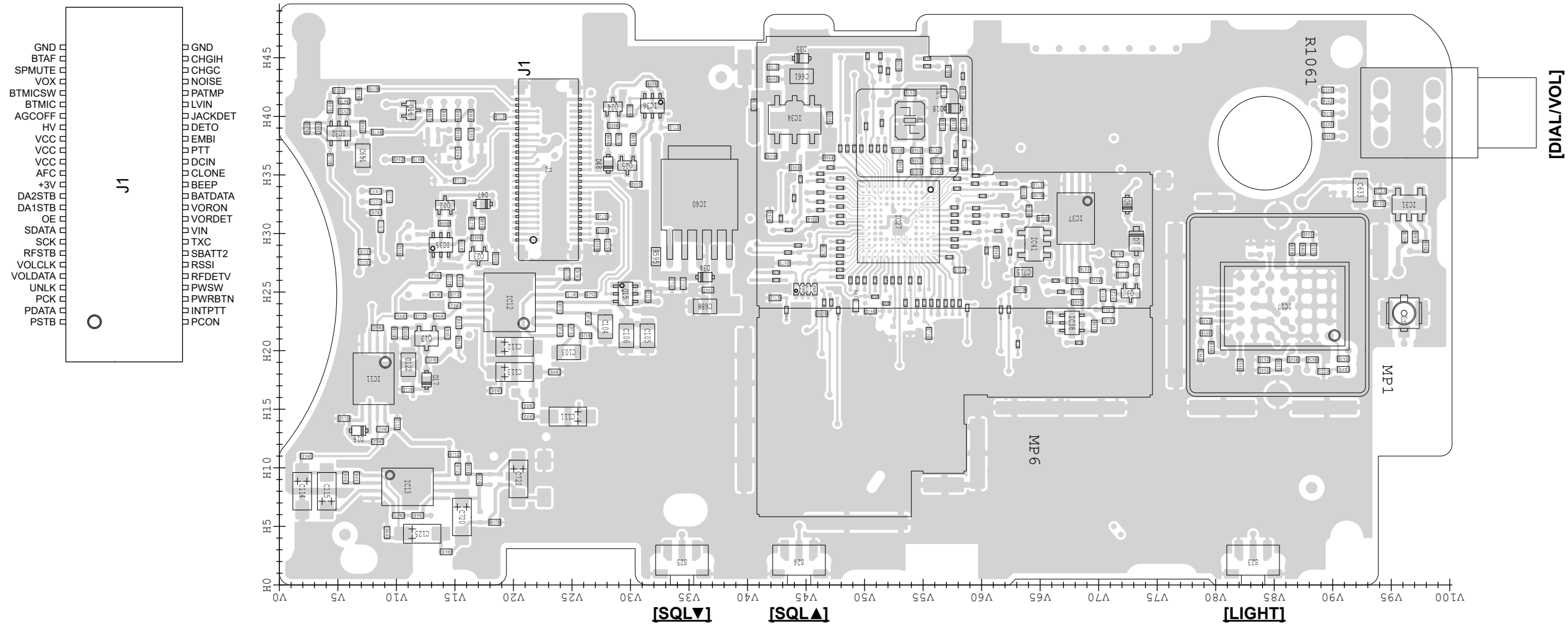
VERSION NUMBER	SERIAL NUMBERS
#13	<u>13002001 and above</u>
#14	<u>14001051 and above</u>
#16	<u>Future production</u> (Plan: 16001001 and above)
#17	<u>Future production</u> (Plan: 17001001 and above)
#23	<u>23001901 and above</u>
#24	<u>Future production</u> (Plan: 24001001 and above)
#27	<u>Future production</u> (Plan: 27001001 and above)
#33	<u>33001001 and above</u>
#34	<u>Future production</u> (Plan: 34001001 and above)
#36	<u>Future production</u> (Plan: 36001001 and above)

See the PARTS LIST H/V location on the PARTS LIST for location details.

The actual configuration of the PC board can be seen by viewing the top and bottom BOARD LAYOUT pages together.

The underlined parts have been updated from the previous version of the addendum, or the original page.

• LOGIC-1 UNIT (B-8848 for #13, #14, #16, #17, #23, #24, #27, #33, #34, and #36: BOTTOM VIEW)

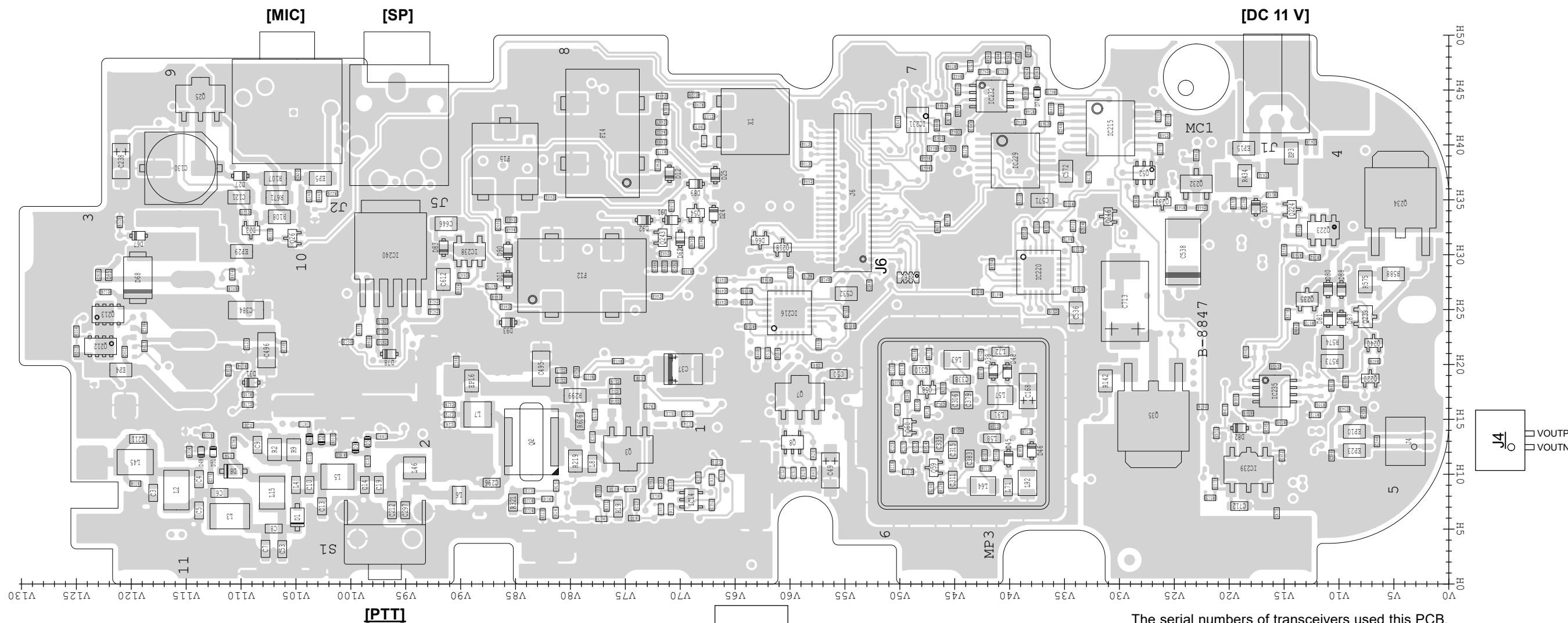


See the PARTS LIST H/V location on the PARTS LIST for location details.

The actual configuration of the PC board can be seen by viewing the top and bottom BOARD LAYOUT pages together.

The underlined parts have been updated from the previous version of the addendum, or the original page.

• MAIN-1 UNIT (B-8847 for #13, #14, #16, #17, #23, #24, #27, #33, #34, and #36: TOP VIEW)



- | | | | |
|---------|---|---------|---|
| GND | □ | GND | □ |
| CHGIH | □ | BTAF | □ |
| CHGC | □ | SPMUTE | □ |
| NOISE | □ | VOX | □ |
| PATMP | □ | BTMICSW | □ |
| LVIN | □ | BTMIC | □ |
| JACKDET | □ | AGCOFF | □ |
| DETO | □ | HV | □ |
| EMBI | □ | VCC | □ |
| PTT | □ | VCC | □ |
| DCIN | □ | VCC | □ |
| CLONE | □ | AFC | □ |
| BEEP | □ | +3V | □ |
| BATDATA | □ | DA2STB | □ |
| VORON | □ | DA1STB | □ |
| VORDET | □ | OE | □ |
| VIN | □ | SDATA | □ |
| TXC | □ | SCK | □ |
| SBATT2 | □ | RFSTB | □ |
| RSSI | □ | VOLCLK | □ |
| RFDETV | □ | VOLDATA | □ |
| PWSW | □ | UNLK | □ |
| PWRBTN | □ | PCK | □ |
| INTPTT | □ | PDATA | □ |
| PCON | □ | PSTB | □ |

The serial numbers of transceivers used this PCB.

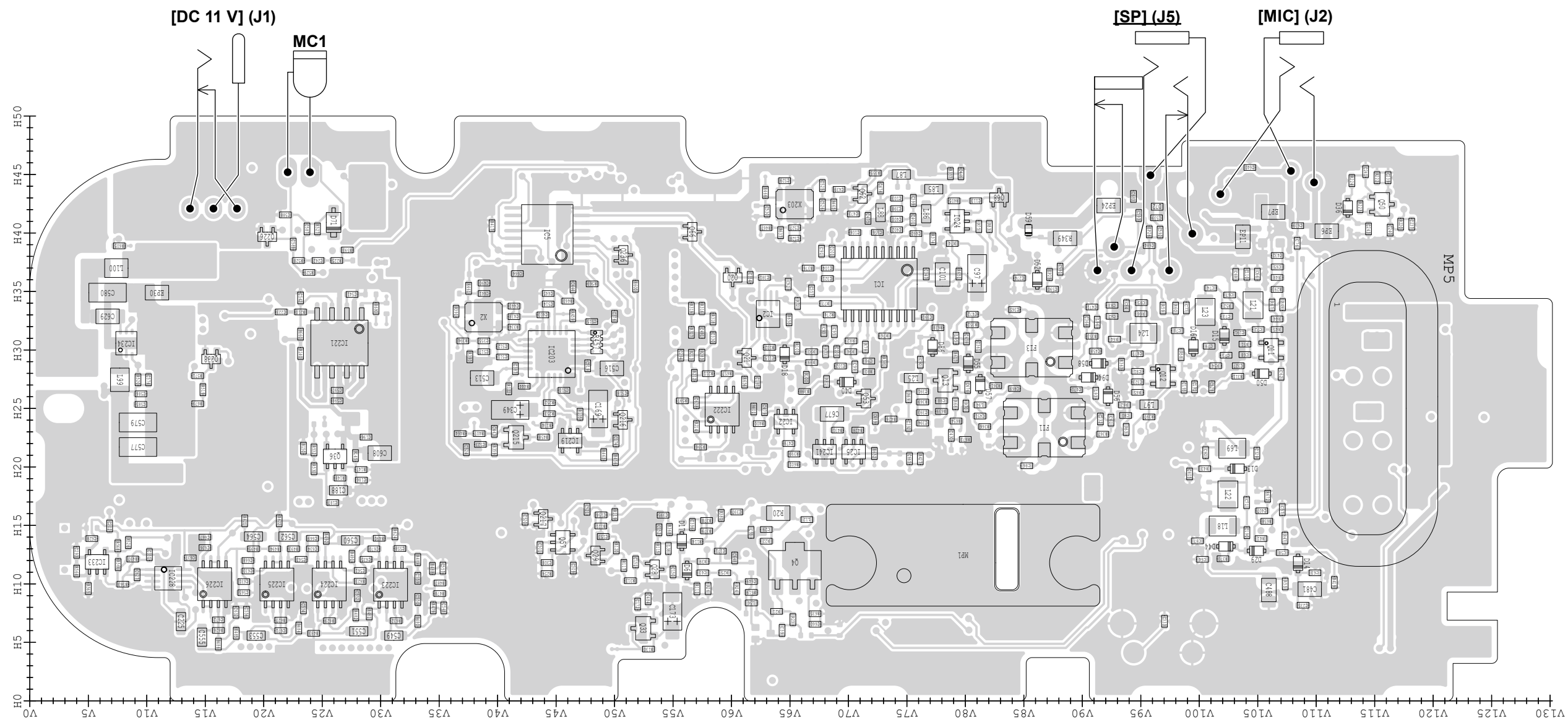
VERSION NUMBER	SERIAL NUMBERS
#13	13002001 and above
#14	14001051 and above
#16	Future production (Plan: 16001001 and above)
#17	Future production (Plan: 17001001 and above)
#23	23001901 and above
#24	Future production (Plan: 24001001 and above)
#27	Future production (Plan: 27001001 and above)
#33	33001001 and above
#34	Future production (Plan: 34001001 and above)
#36	Future production (Plan: 36001001 and above)

See the PARTS LIST H/V location on the PARTS LIST for location details.

The actual configuration of the PC board can be seen by viewing the top and bottom BOARD LAYOUT pages together.

• MAIN-1 UNIT (B-8847 for #13, #14, #16, #17, #23, #24, #27, #33, #34, and #36: BOTTOM VIEW)

The underlined parts have been updated from the previous version of the addendum, or the original page.



See the PARTS LIST H/V location on the PARTS LIST for location details.



SERVICE MANUAL

VHF AIR BAND TRANSCEIVERS

IC-A25N

IC-A25C

IC-A25NE

IC-A25CE

S-15419XZ-C1
December 2017

Icom Inc.

INTRODUCTION

This service manual describes the latest technical information for the IC-A25N, IC-A25NE, IC-A25C, and IC-A25CE VHF air band transceivers at the time of publication.

MODEL	VERSION	VERSION NUMBER	VOR/GPS	Bluetooth	WX
IC-A25N	USA-01	#11	✓	✓	✓
	EXP-01	#12	✓	✓	✓
IC-A25NE	EUR-01	#13	✓	✓	—
	AUS-01	#14	✓	✓	—
IC-A25C	USA-01	#21	—	—	✓
	EXP-01	#22	—	—	✓
IC-A25CE	EUR-01	#23	—	—	—
	AUS-01	#24	—	—	—

To upgrade quality, any electrical or mechanical parts and internal circuits are subject to change without notice or obligation.

SERVICE CAUTION

NEVER connect the transceiver to a DC power supply that uses more than the specified voltage. This will ruin the transceiver.

DO NOT reverse the polarities of the power supply when directly applying power to the transceiver/circuit.

DO NOT apply an RF signal of more than 20 dBm (100 mW) to the antenna connector. This could damage the transceiver's front-end.



▲ IC-A25N

▲ IC-A25C

ORDERING PARTS

Be sure to include the following four points when ordering replacement parts:

1. 10-digit Icom part number
2. Component name
3. Equipment model name and unit name
4. Quantity required

<ORDER EXAMPLE>

1110006490	LMV321IDCKR	IC-A25 MAIN UNIT	5 pieces
8610016330	N-449	IC-A25 CHASSIS	1 piece

REPAIR NOTES

1. Make sure that the problem is internal before disassembling the transceiver.
2. **DO NOT** open the transceiver until the transceiver is disconnected from its power source.
3. **DO NOT** short any circuits or electronic parts.
4. **DO NOT** keep power ON for a long time when the transceiver is defective.
5. **NEVER** directly transmit power into any test equipment such as Standard Signal Generator or a Sweep Generator, otherwise the RF power may damage them.
6. **ALWAYS** connect a 30 dB to 40 dB attenuator between the transceiver and such test equipment.
7. **READ** the instructions of the test equipment thoroughly before connecting it to the transceiver.

TABLE OF CONTENTS

SECTION 1	SPECIFICATIONS	
SECTION 2	INSIDE VIEWS	
SECTION 3	DISASSEMBLY INSTRUCTION	
SECTION 4	ADJUSTMENT PROCEDURES	
	4-1 PREPARATION	4-1
	4-2 FREQUENCY AND TRANSMIT ADJUSTMENTS	4-3
	4-3 RECEIVE ADJUSTMENTS	4-4
SECTION 5	PARTS LIST	
SECTION 6	MECHANICAL PARTS	
SECTION 7	BOARD LAYOUT	
SECTION 8	BLOCK DIAGRAM	
SECTION 9	VOLTAGE DIAGRAM	

DISTRIBUTOR ADDRESS

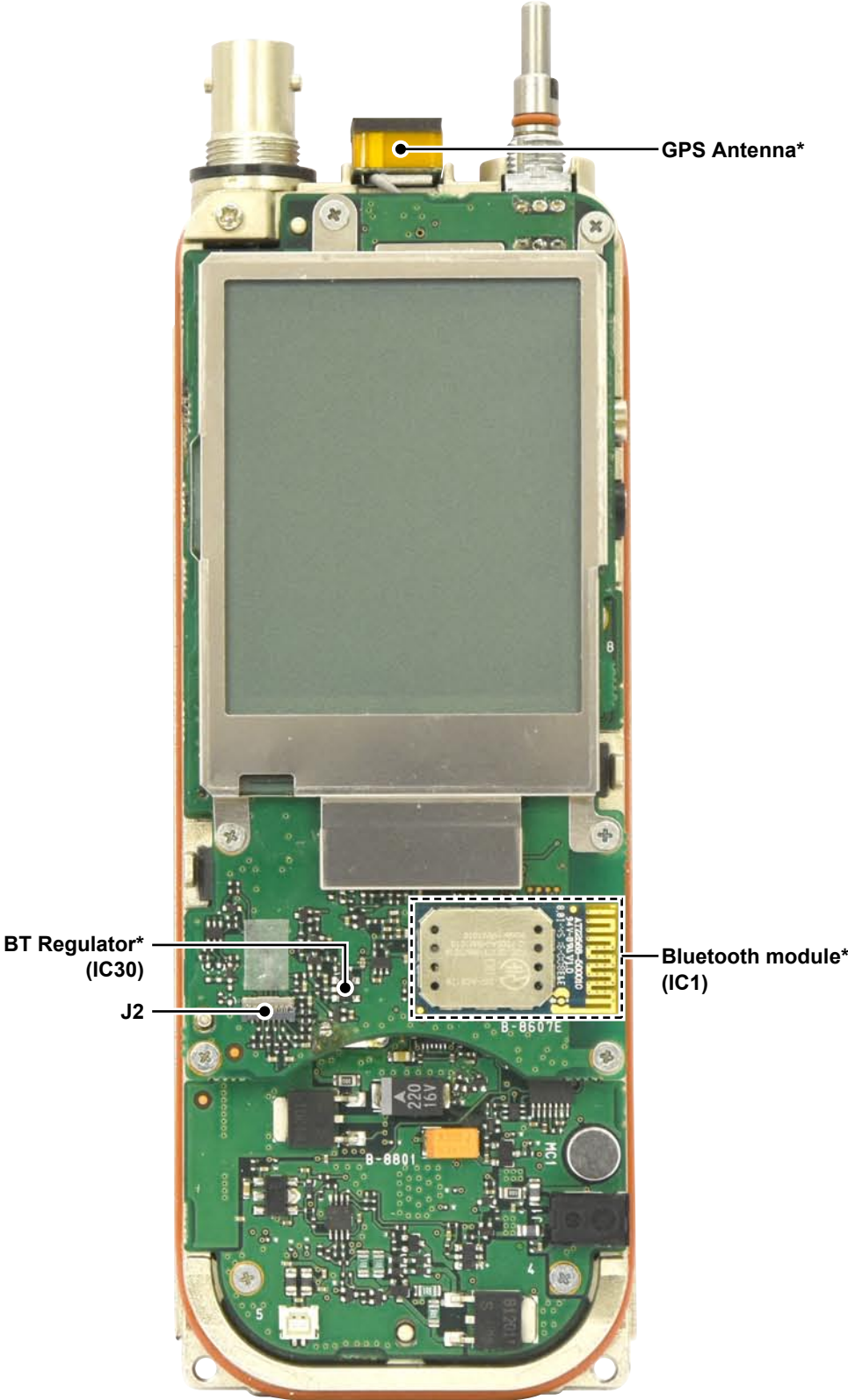
SECTION 1

SPECIFICATIONS

		IC-A25N	IC-A25C	IC-A25NE	IC-A25CE	
GENERAL	Frequency coverage (Unit: MHz)	118.000~136.99166				
		TX				
		RX	108.000~ 136.99166	118.000~ 136.99166	108.000~ 136.99166	118.000~ 136.99166
		WX	161.650~163.275		-	
	Channel spacing	25 kHz/8.33 kHz				
	Type of emission	6K00A3E/5K60A3E, 16K0G3E (WX)		6K80A3E/5K00A3E		
	Number of memory channels	300 channels				
	Usable temperature range	-10°C~+60°C, +14°F~+140°F		-20°C~+55°C		
	Frequency stability	±0.4 kHz		±1 ppm		
	Power supply	7.2 V DC standard or 11.0 V DC at the external DC jack				
	Current drain (at 7.2 V DC)*					
		Transmit	Less than 1.8 A			
	Receive (Maximum AF output)	Less than 500 mA				
	(Standby)	90 mA typical				
Antenna connector	BNC (50 Ω)					
Dimensions (projections not included)	58.9 (W)×148.4 (H)×31.8 (D) mm, 2.3(W)×5.8 (H)×1.3 (D) inches					
Weight (approximately)	200 g, 7.1 oz (Without battery pack, battery case, and antenna)					
TRANSMITTER	Modulation system	Low level modulation				
	Output power (at 7.2 V DC)	PEP	6.0 W			
		Carrier Wave	1.8 W			
	Modulation limiting	70~100%		-		
	Modulation depth	-		85%		
	Spurious emissions (AM: fc±62.5 kHz excluded, AM-N: fc±20.825 kHz excluded)	More than 46 dB		-		
	Harmonics spurious emissions (except ±1 MHz of the operating frequency)	-		Less than -36 dBm		
	Audio harmonic distortion	Less than 10% (at 60% Mod.)		Less than 10% (at 85% Mod. +3dB)		
	Ham and noise ratio	More than 35dB		-		
	Microphone impedance	150 Ω				
RECEIVER	Receive system	Double Conversion Superheterodyne				
	Intermediate frequencies	1st IF	46.35 MHz			
		2nd IF	450 kHz			
	Sensitivity	COM	Less than 0 dBμ (at 6 dB S/N)		Less than 0 dBμ (at 12 dB SINAD: with CCITT)	
		VOR	Less than 0 dBμ (at 6 dB S/N)	-	Less than 0 dBμ (at 6 dB S/N)	
		WX	Less than -8 dBμ (at 12 dB SINAD)		-	
	Audio output power	More than 350 mW with 60% Mod. at 10% distortion into an 8 Ω load				
	Adjacent Channel rejection	-		More than 60 dB		
	Ham and noise	More than 35 dB at 30% Mod.		More than 40 dB at 90% Mod.		
	Spurious response rejection ratio	AM	More than 60 dB		More than 70 dB	
	FM (WX)	More than 30 dB		-		
Squelch Sensitivity (threshold)	COM/VOR	Less than 0 dBμ				
	WX	Less than -5 dBμ		-		

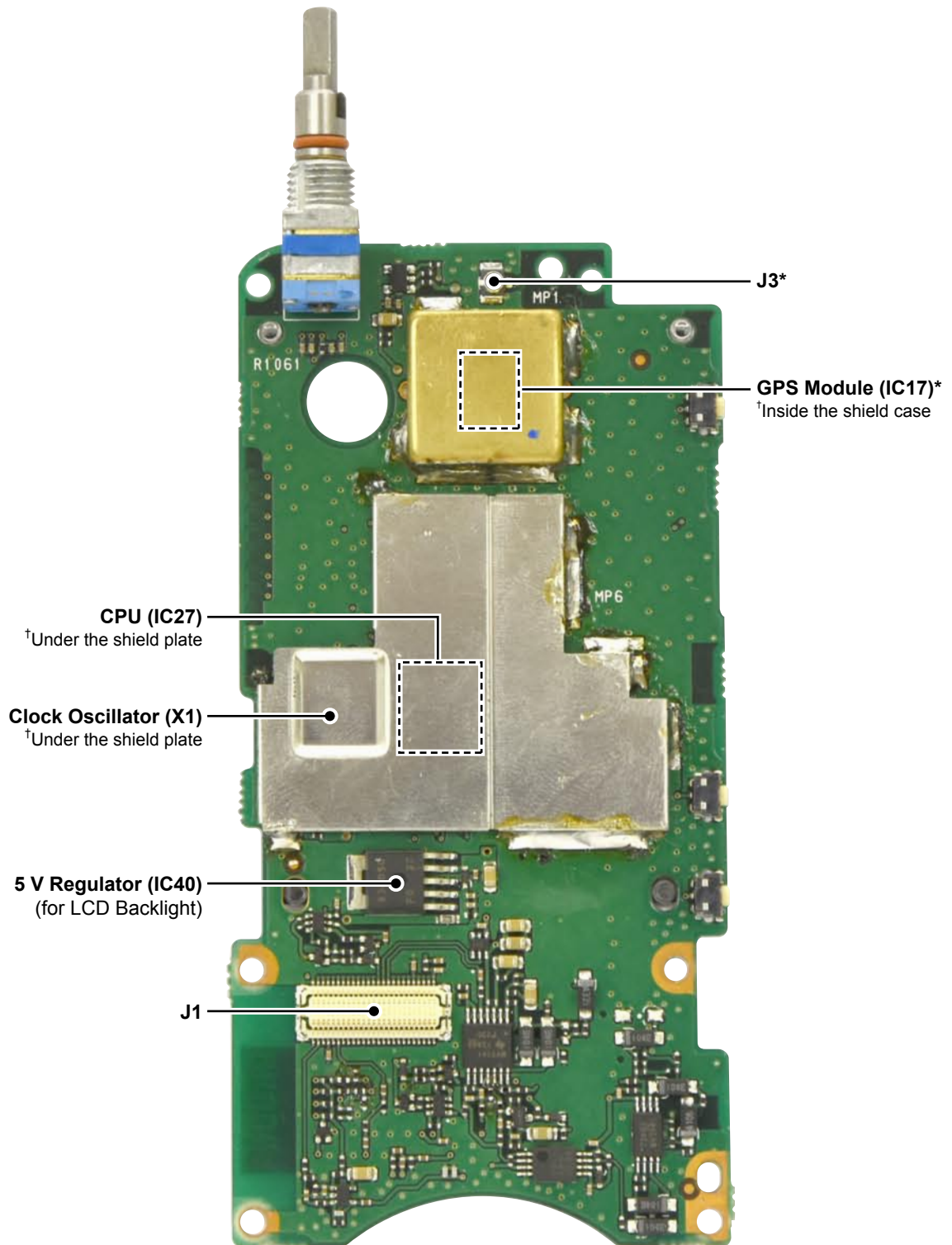
*When GPS, Bluetooth, and backlight are OFF.

• LOGIC/LOGIC-1 UNIT (TOP VIEW)



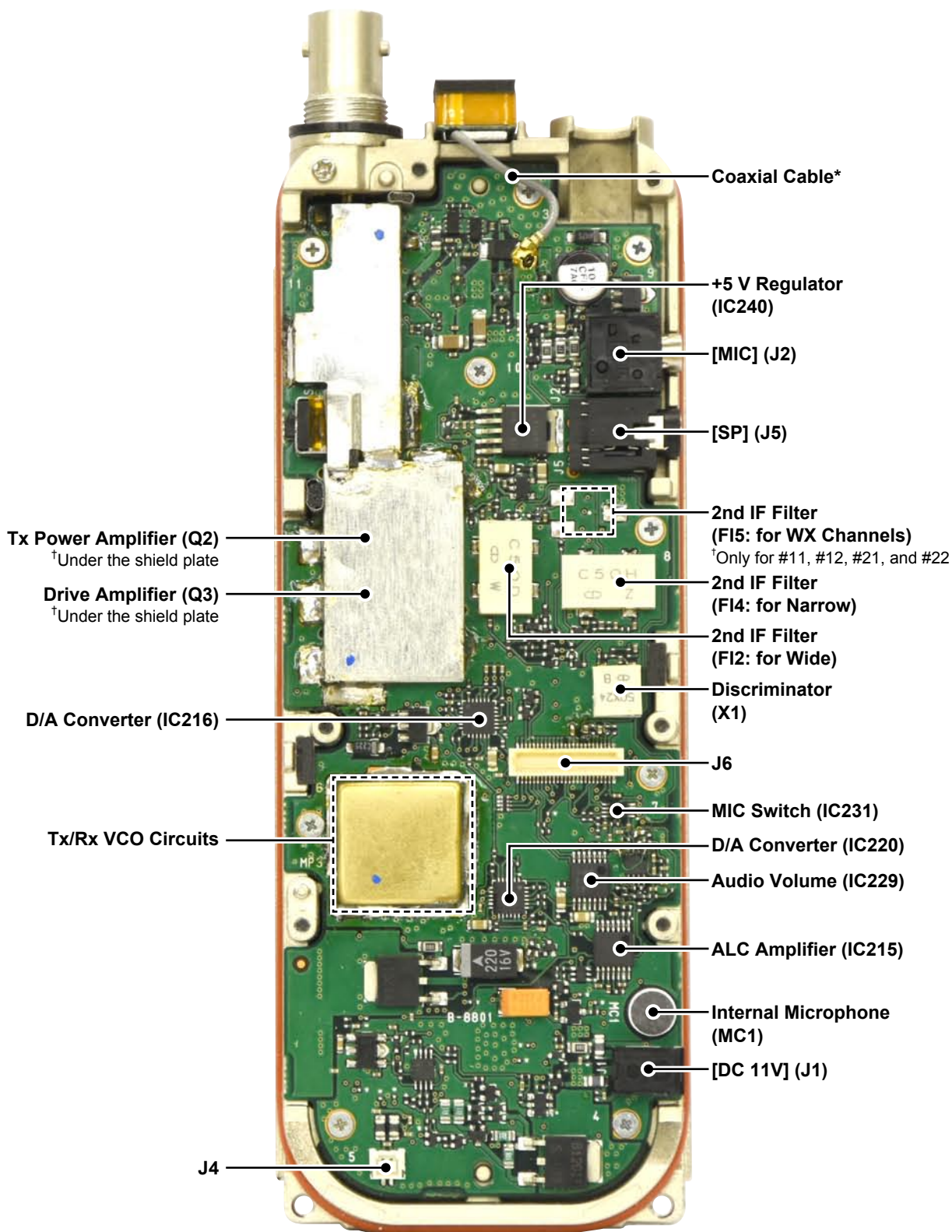
*Only for IC-A25N

• LOGIC/LOGIC-1 UNIT (BOTTOM VIEW)



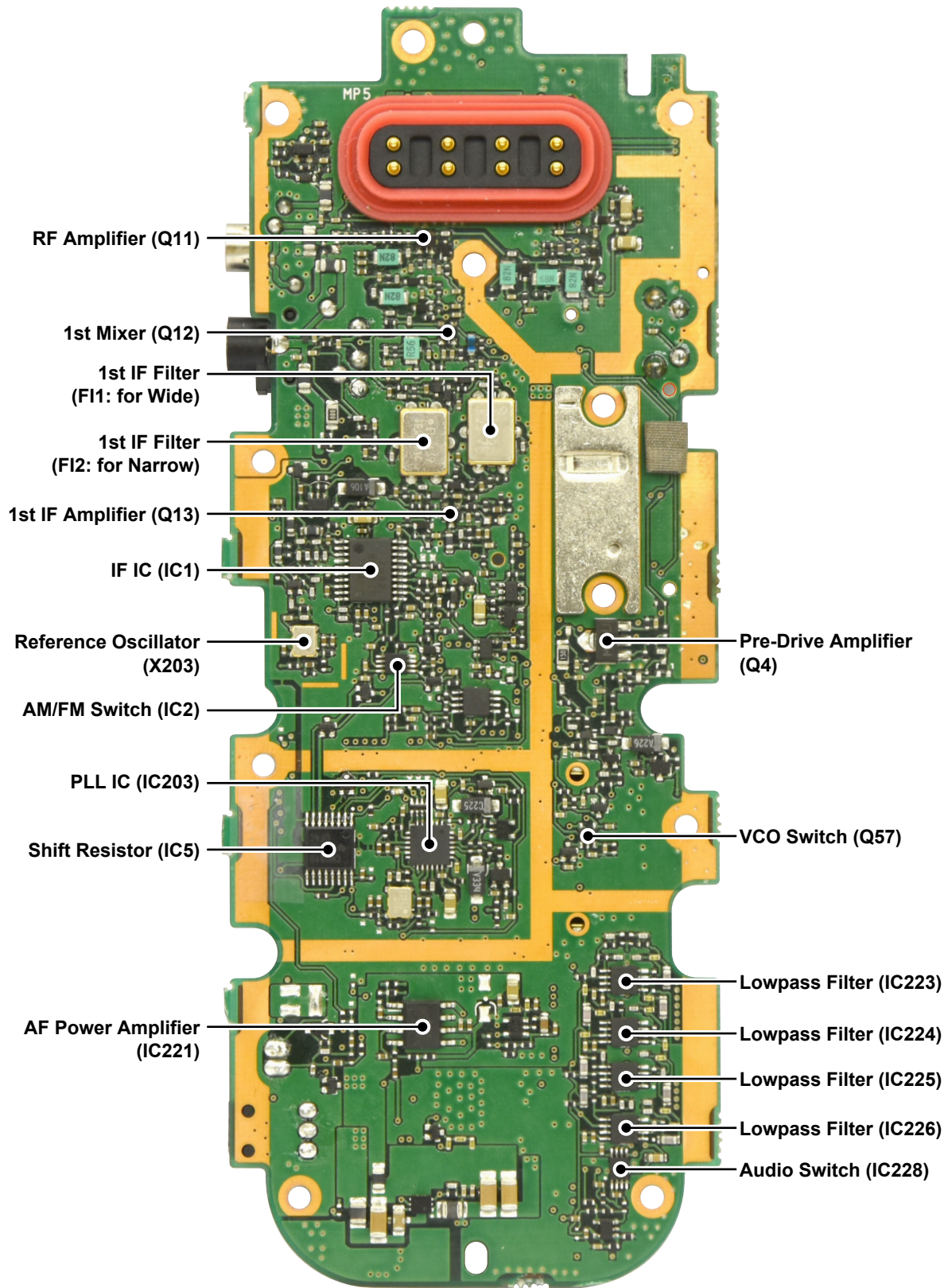
*Only for IC-A25N

• MAIN/MAIN-1 UNIT (TOP VIEW)



*Only for IC-A25N

• MAIN/MAIN-1 UNIT (BOTTOM VIEW)

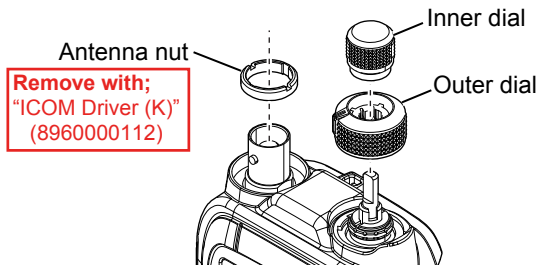


SECTION 3

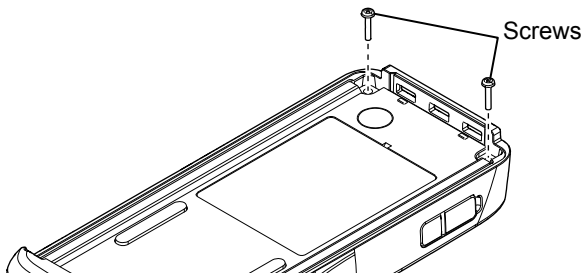
DISASSEMBLY INSTRUCTION

1. REMOVING THE LOGIC/-1 UNIT

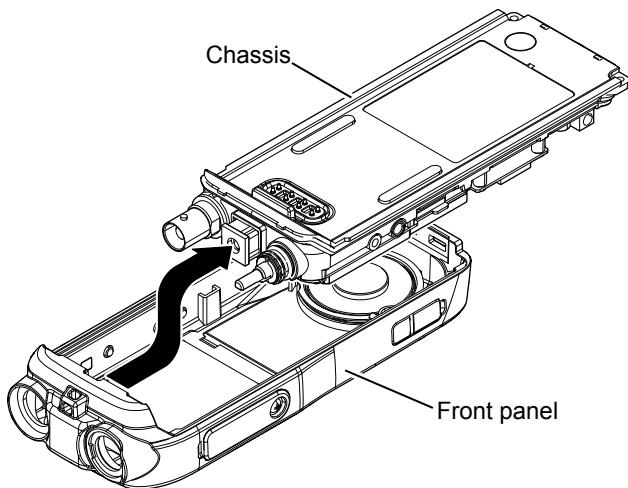
1) Remove 2 dial knobs and antenna nut from the front panel.



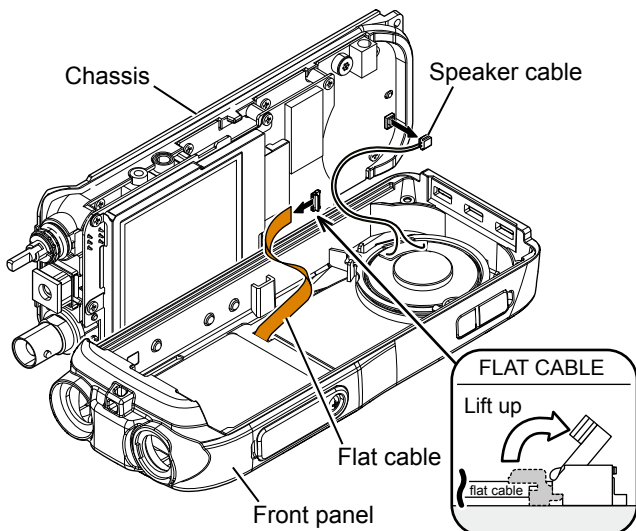
2) Remove 2 screws from the bottom of chassis.



3) Separate the chassis from the front panel, then disconnect flat and speaker cables.

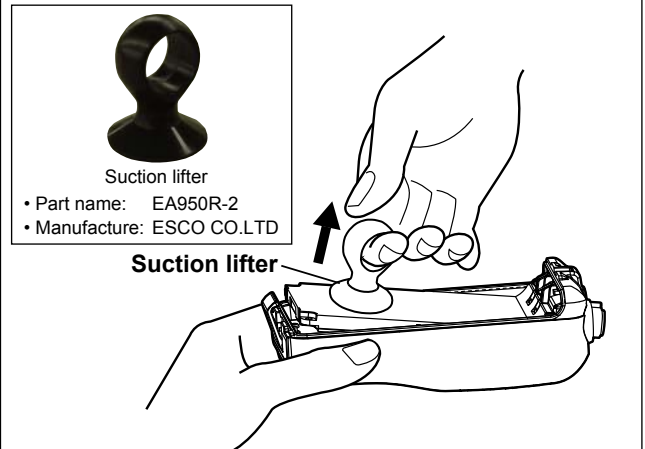


BE CAREFUL about the flat and speaker cables when separating the chassis from the front panel.

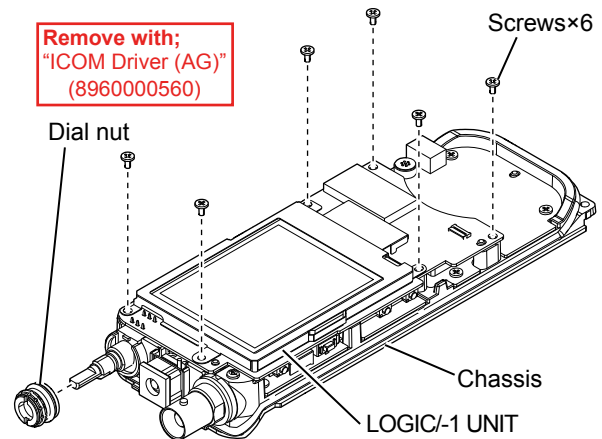


For easy separation of the CHASSIS

Use a suction lifter to lift the bottom of the CHASSIS up.

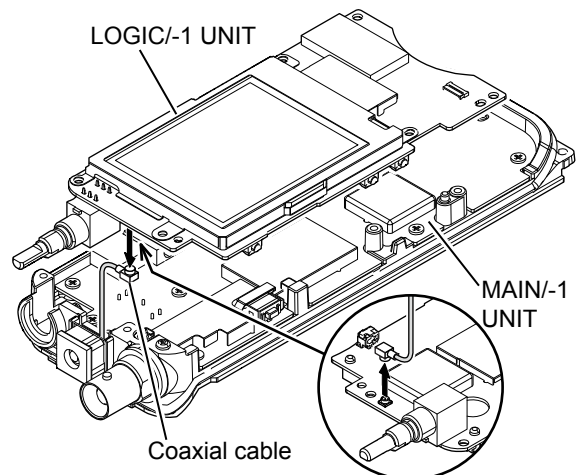


4) Remove dial nut and 6 screws from the LOGIC/-1 UNIT.



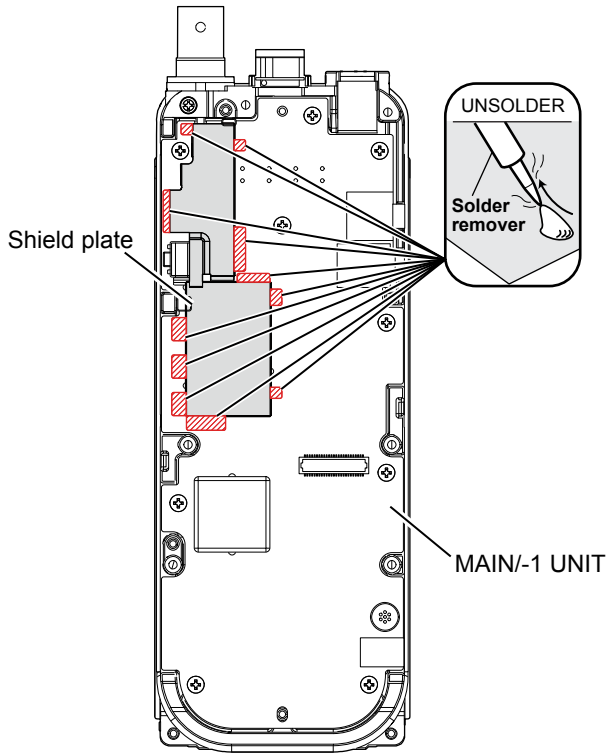
5) Separate the LOGIC/-1 UNIT from the MAIN/-1 UNIT, and then disconnect the coaxial cable from the LOGIC-A UNIT.

BE CAREFUL about the coaxial cable when separating the LOGIC/-1 UNIT from the MAIN/-1 UNIT.

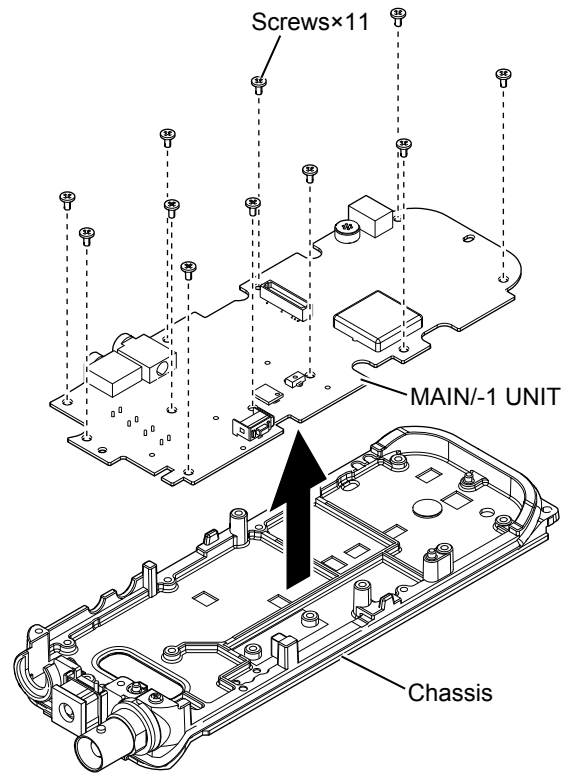


2. REMOVING THE MAIN/-1 UNIT

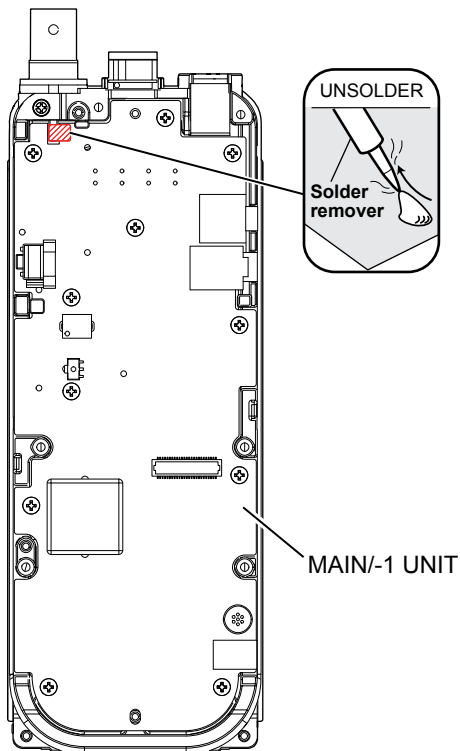
1) Unsolder 11 points on the shield plate, and then remove it.



3) Remove 11 screws from the MAIN/-1 UNIT, and then remove it from the chassis.



2) Unsolder a point at the antenna connector.



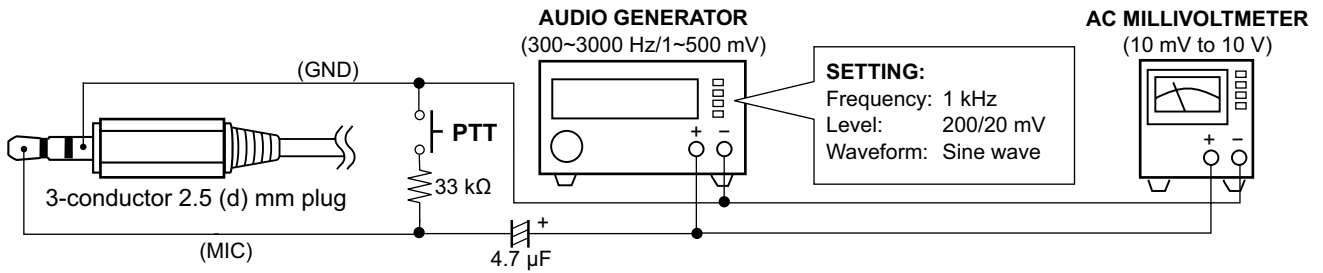
SECTION 4 ADJUSTMENT PROCEDURE

4-1 PREPARATION

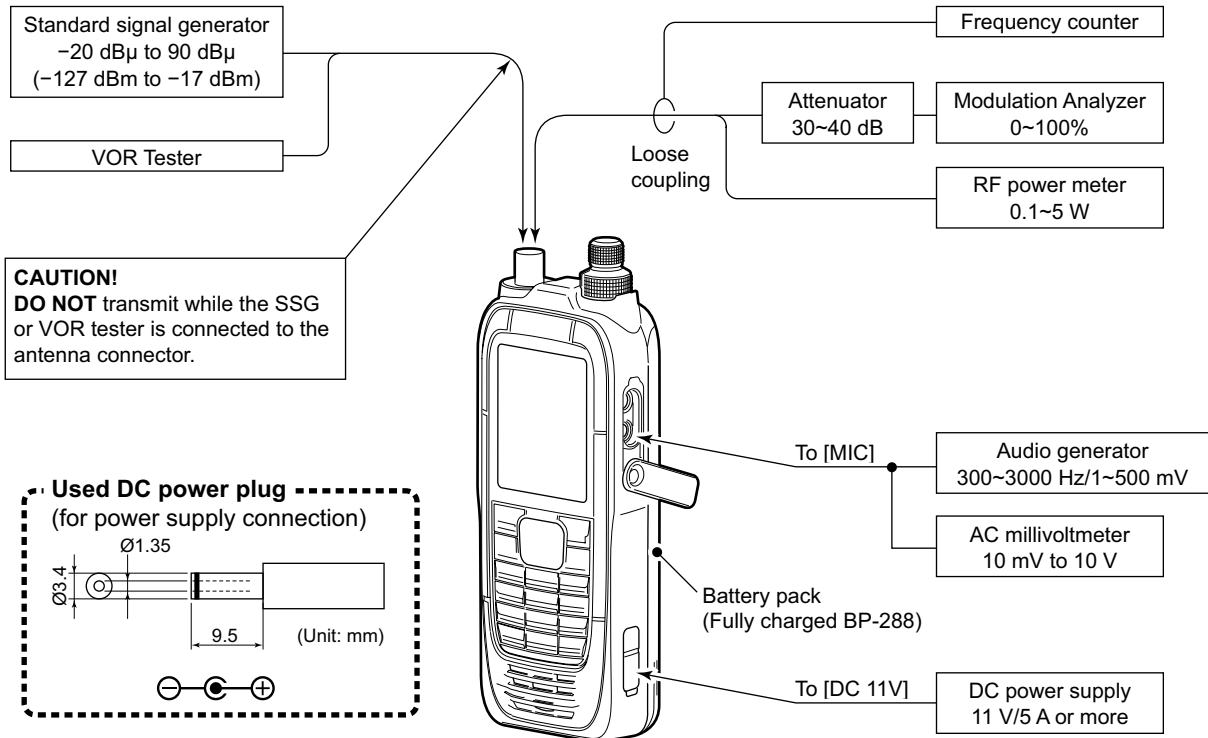
■ REQUIRED EQUIPMENT

EQUIPMENT	SPECIFICATIONS	EQUIPMENT	SPECIFICATIONS
DC power supply	Output voltage: 11 V Current capacity: 5 A or more	Programming software	CS-A25 Programming software (Revision 1.0 or later)
Battery pack	BP-288 (Fully charged)	Programming cable	OPC-478UC
RF power meter (50 Ω terminated)	Measuring range: 0.1~5 W Frequency range: 100~300 MHz SWR: Less than 1.2 : 1	Standard signal generator (SSG)	Frequency range: 0.1~300 MHz Output level: -20 dBμ to 90 dBμ (-127 to -17 dBm)
Frequency counter	Range: 0.1~300 MHz Accuracy: ±1 ppm or better Input level: Less than 1 mW	Audio generator (AG)	Frequency range: 300~3000 Hz Output level: 1~500 mV
		JIG cable	See the illustration below.
Modulation Analyzer	Frequency range: 30~300 MHz Measuring range: 0~100%	AC millivoltmeter	Measuring range: 10 mV to 10 V
Attenuator	Attenuation: 30~40 dB Capacity: More than 10 W	VOR tester	Frequency range: 108~118 MHz Output level: -20 dBμ to 90 dBμ (-127 to -17 dBm)

■ JIG CABLE

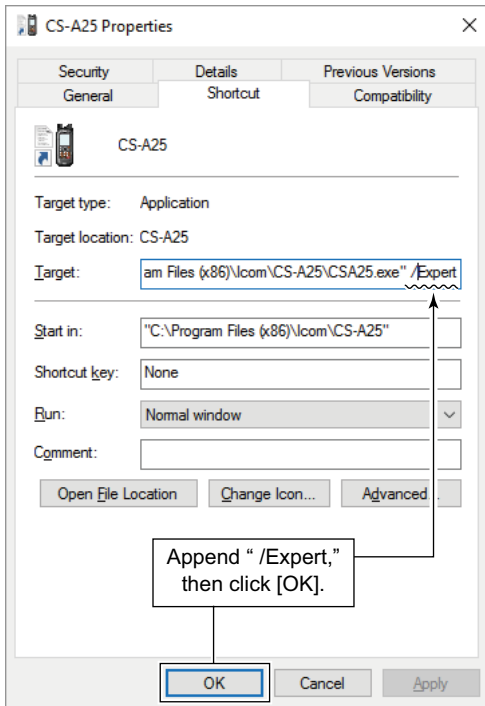


■ CONNECTIONS

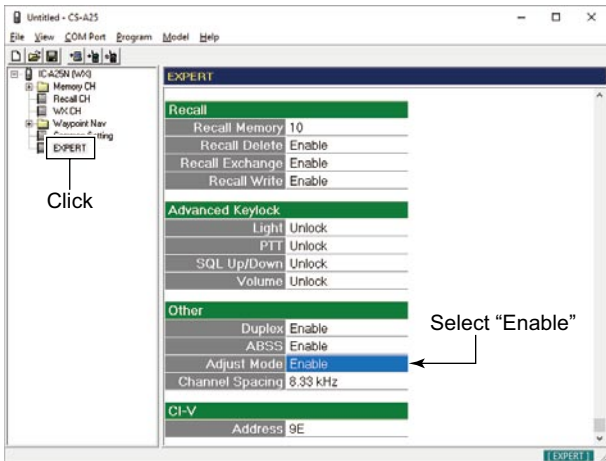


■ ENTERING THE ADJUSTMENT MODE

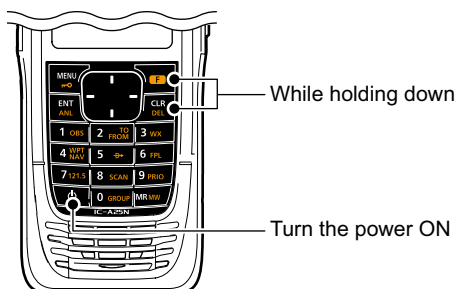
- Right click the CS-A25's icon on the desktop and select the "Properties."
 • The CS-A25 properties window appears.
- Append " /Expert" to the end of the contents of the Target field, and then click [OK].
 • A space is necessary before slash.



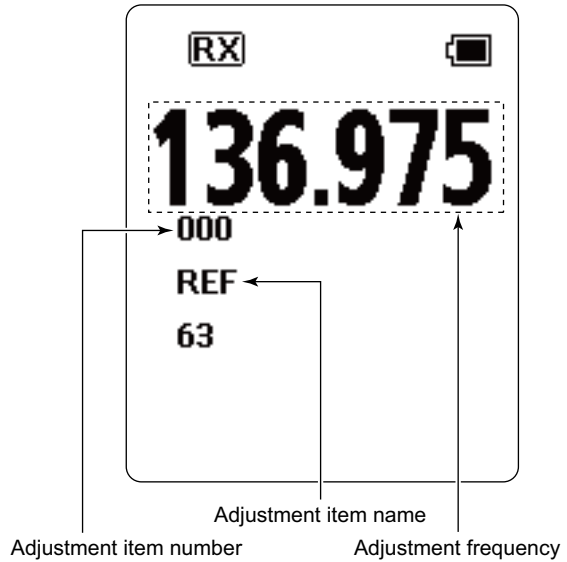
- Boot up the programming software, CS-A25.
- Connect the transceiver and the PC using with the OPC-478UC, and then turn the power ON.
- Read the transceiver data into the PC.
- Set "Adjustment Mode" in the "Expert" to "Enable."



- Write the data to the transceiver.
- Turn the power OFF, and then disconnect the OPC-478UC from the transceiver.
- While holding down [F] and [CLR], turn ON the power.
 • Enters to the adjustment mode.

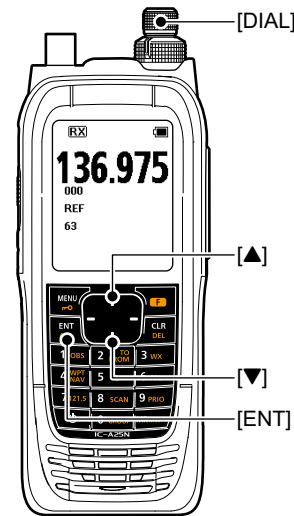


■ ADJUSTMENT MODE SCREEN



■ KEY ASSIGNMENTS FOR THE ADJUSTMENT MODE

- Push [▲] to select the next adjustment item, push [▼] to select the previous adjustment item.
- Rotate [DIAL] to set or modify the adjustment value.
- Push [ENT] to store the adjusted value, and select the next adjustment item.



4-2 FREQUENCY AND TRANSMIT ADJUSTMENTS

1. Select an adjustment item by pushing [▲]/[▼].
2. Set or modify the adjustment value as specified by rotating [DIAL], and then push [ENT].

ADJUSTMENT	ADJUSTMENT ITEM		TRANSCIEVER'S CONDITION	OPERATION	VALUE	
	NO.	NAME				
REFERENCE FREQUENCY	1	000 REF	• Frequency: 136.975 MHz • Transmitting	• Connect the RF power meter to the antenna connector. • Loosely couple the frequency counter to the antenna connector.	136.975 MHz (±100 Hz)	
TX OUTPUT POWER (at 7.2 V)	1	013 BATT PL	• Frequency: 118.000 MHz • Transmitting	• Attach the fully charged battery pack. • Connect the RF power meter to the antenna connector. • No audio applied to [MIC].	1.8 W	
	2	014 BATT PM	• Frequency: 127.500 MHz • Transmitting			
	3	015 BATT PH	• Frequency: 136.975 MHz • Transmitting			
TX OUTPUT POWER (at 11.0 V)	1	016 EXT PL	• Frequency: 118.000 MHz • Transmitting	• Detach the battery pack. • Connect the DC power supply to [DC 11 V]. • While transmitting, adjust the power supply voltage to 11.0 V. • No audio applied to [MIC].		
	2	017 EXT PM	• Frequency: 127.500 MHz • Transmitting			
	3	018 EXT PH	• Frequency: 136.975 MHz • Transmitting			
MODULATION (at 7.2 V)	1	019 BATT 25MML	• Frequency: 118.000 MHz • Transmitting	• Disconnect the DC power supply. • Attach the fully charged battery pack. • Connect the modulation analyzer to the antenna connector, through the attenuator. • Connect the audio generator to [MIC], and set as shown below: Frequency: 1 kHz Level: 200 mV rms Waveform: Sine wave	90% (±2%)	
	2	020 BATT 25MMM	• Frequency: 127.500 MHz • Transmitting			
	3	021 BATT 25MMH	• Frequency: 136.975 MHz • Transmitting			
	4	022 BATT 8MML	• Frequency: 118.005 MHz • Transmitting			
	5	023 BATT 8MMM	• Frequency: 127.505 MHz • Transmitting			
	6	024 BATT 8MMH	• Frequency: 136.980 MHz • Transmitting			
	7	031 BATT 25NML	• Frequency: 118.000 MHz • Transmitting		Set the audio generator to: Level: 20 mV rms	30% (±5%)
	8	032 BATT 25NMM	• Frequency: 127.500 MHz • Transmitting			
	9	033 BATT 25NMH	• Frequency: 136.975 MHz • Transmitting			
	10	034 BATT 8NML	• Frequency: 118.005 MHz • Transmitting			
	11	035 BATT 8NMM	• Frequency: 127.505 MHz • Transmitting			
	12	036 BATT 8NMH	• Frequency: 136.980 MHz • Transmitting			
MODULATION (at 11.0 V)	1	025 EXT 25MML	• Frequency: 118.000 MHz • Transmitting	• Detach the battery pack. • Connect the DC power supply to [DC 11 V]. • While transmitting, adjust the power supply voltage to 11.0 V. • Connect the modulation analyzer to the antenna connector, through the attenuator. • Connect the audio generator to [MIC], and set as shown below: Frequency: 1 kHz Level: 200 mV rms Waveform: Sine wave	USA, EXP: 87% (±2%) EUR, AUS: 90% (±2%)	
	2	026 EXT 25MMM	• Frequency: 127.500 MHz • Transmitting			
	3	027 EXT 25MMH	• Frequency: 136.975 MHz • Transmitting			
	4	028 EXT 8MML	• Frequency: 118.005 MHz • Transmitting			
	5	029 EXT 8MMM	• Frequency: 127.505 MHz • Transmitting			
	6	030 EXT 8MMH	• Frequency: 136.980 MHz • Transmitting			
	7	037 EXT 25NML	• Frequency: 118.000 MHz • Transmitting		Set the audio generator to: Level: 20 mV rms	30% (±5%)
	8	038 EXT 25NMM	• Frequency: 127.500 MHz • Transmitting			
	9	039 EXT 25NMH	• Frequency: 136.975 MHz • Transmitting			
	10	040 EXT 8NML	• Frequency: 118.005 MHz • Transmitting			
	11	041 EXT 8NMM	• Frequency: 127.505 MHz • Transmitting			
	12	042 EXT 8NMH	• Frequency: 136.980 MHz • Transmitting			

4-3 RECEIVE ADJUSTMENTS

1. Select an adjustment item by pushing [▲]/[▼].
2. Set or modify the adjustment value as specified by rotating [DIAL], and then push [ENT].

ADJUSTMENT	ADJUSTMENT ITEM		TRANSCIEVER'S CONDITION	OPERATION	VALUE
	NO.	NAME			
RECEIVE SENSITIVITY - AM -	1	044 BPF1	• Frequency: 108.025 MHz IC-A25N: 108.025 MHz IC-A25C: 118.025 MHz • Receiving	Connect the SSG to the antenna connector, and set as shown below: Frequency: 108.025 MHz IC-A25N: 108.025 MHz IC-A25C: 118.025 MHz Modulation: None Level: +10 dBμ† (-97 dBm)	Push [ENT] (Automatic adjustment)
	2	045 BPF2	• Frequency: 127.500 MHz • Receiving	Set the SSG to: Frequency: 127.500 MHz Level: +5 dBμ† (-102 dBm)	
	3	046 BPF3	• Frequency: 136.975 MHz • Receiving	Set the SSG to: Frequency: 136.975 MHz	
	4	047 BPF4	• Frequency: 161.650 MHz • Receiving	Set the SSG to: Frequency: 161.650 MHz	
	5	048 BPF5	• Frequency: 163.275 MHz • Receiving	Set the SSG to: Frequency: 163.275 MHz	
- FM -					
SQUELCH LEVEL - Wide -	1	050 WSO_S	• Frequency: 118.025 MHz • Receiving	Connect the SSG to the antenna connector, and set as shown below: Frequency: 118.025 MHz Modulation: None Level: -10 dBμ† (-117 dBm)	Push [ENT] (Automatic adjustment)
	2	051 WSC_S		Set the SSG to: Level: -13 dBμ† (-120 dBm)	
	3	052 WSO_T		Set the SSG to: Level: +13 dBμ† (-94 dBm)	
	4	053 WSC_T		Set the SSG to: Level: +10 dBμ† (-97 dBm)	
- Narrow -					
- FM -	5	054 NSO_S	• Frequency: 118.030 MHz • Receiving	Set the SSG to: Level: -10 dBμ† (-117 dBm)	
	6	055 NSC_S		Set the SSG to: Level: -13 dBμ† (-120 dBm)	
	7	056 NSO_T		Set the SSG to: Level: +13 dBμ† (-94 dBm)	
	8	057 NSC_T		Set the SSG to: Level: +10 dBμ† (-97 dBm)	
- FM -	9	058 SO_S	• Frequency: 162.550 MHz • Receiving	Set the SSG to: Frequency: 162.550 MHz Level: -10 dBμ† (-117 dBm)	
	10	059 SC_S		Set the SSG to: Level: -13 dBμ† (-120 dBm)	
	11	060 SO_T		Set the SSG to: Level: +13 dBμ† (-94 dBm)	
	12	061 SC_T		Set the SSG to: Level: +10 dBμ† (-97 dBm)	
VOR 0° (Only for IC-A25N)	1	063 VOR0	• Frequency: 108.000 MHz • Receiving	Connect the VOR tester to the antenna connector, and set as shown below: Frequency: 108.000 MHz Level: +47 dBμ† (-60 dBm) Modulation: 30 Hz 30% 9960 Hz 30% Bearing: 0°	Push [ENT] (Automatic adjustment)
2nd LO FREQUENCY	1	066 LO	• Frequency: 127.510 MHz • Receiving	Connect the SSG to the antenna connector, and set as shown below: Frequency: 127.50833 MHz Modulation: None Level: +90 dBμ† (-17 dBm)	Push [ENT] (Automatic adjustment)

†The output level of the standard signal generator (SSG) is indicated as the SSG's open circuit.

SECTION 5

PARTS LIST

[LOGIC UNIT] (for #11, #12, #21, and #22)

REF NO.	PART NO.	DESCRIPTION	M.	H/V LOCATION
IC1	1190004712	S.IC HRM1016-010022	[#11]	T 37.3/13.5
	1190004712	S.IC HRM1016-010022	[#12]	
IC11	1110003790	S.IC NJM2903V-TE1-#FMZB	[#11]	B 17.6/8.1
	1110003790	S.IC NJM2903V-TE1-#FMZB	[#12]	
	1110006470	S.IC LMV3241PWR	[#11]	B 24.1/19.7
IC12	1110006470	S.IC LMV3241PWR	[#12]	
	1110006740	S.IC LMV3581PWR	[#11]	B 8.4/11.0
IC13	1110006740	S.IC LMV3581PWR	[#12]	
	1190004620	S.IC GSU-141A-098A	[#11]	B 23.8/85.9
IC17	1190004620	S.IC GSU-141A-098A	[#12]	
	1140018060	S.IC R5F52108BDLK		B 31.0/52.9
IC27	1180004760	S.REG S-1200B33-M5T1U	[#11]	T 18.2/10.2
	1180004760	S.REG S-1200B33-M5T1U	[#12]	
IC30	1180004760	S.REG S-1200B33-M5T1U	[#11]	B 32.5/96.5
	1180004760	S.REG S-1200B33-M5T1U	[#12]	
IC31	1180004760	S.REG S-1200B33-M5T1U	[#11]	
	1180004760	S.REG S-1200B33-M5T1U	[#12]	
IC32	1110006490	S.IC LMV3211DCKR	[#11]	B 38.6/5.1
	1110006490	S.IC LMV3211DCKR	[#12]	
IC34	1180003570	S.REG NJM2830U1-33-TE1-#ZZZB		B 39.7/44.0
	1130014260	S.IC SN74LVC2GU04DCKR		B 29.0/13.8
IC35	1130014260	S.IC SN74LVC2GU04DCKR		B 40.9/31.9
	1130016621	S.IC GT24C128B-22LI-TR		B 31.3/68.1
IC37	1110007780	S.IC NJU7704F3-28A-TE1-#ZZZH		B 22.4/67.7
	1110007780	S.IC NJU7704F3-28A-TE1-#ZZZH		T 22.1/13.2
IC39	1110007780	S.IC NJU7704F3-28A-TE1-#ZZZH	[#11]	
	1110007780	S.IC NJU7704F3-28A-TE1-#ZZZH	[#12]	
IC40	1180005110	S.REG NJM2836DL3-05-TE1		B 31.8/35.9
IC41	1180003460	S.REG NJM2831F05-TE1-#ZZZB		B 29.1/64.5
Q3	1530004190	S.TRA L2SC4617ST1G		B 24.9/72.7
Q5	1590004070	S.TRA LDTC144EET1G	[#11]	T 36.3/21.2
	1590004070	S.TRA LDTC144EET1G	[#12]	
Q13	1530004140	S.TRA L2SC4081RT1G	[#11]	B 21.1/12.6
	1530004140	S.TRA L2SC4081RT1G	[#12]	
Q15	1590004530	S.TRA DMG564050R	[#11]	B 24.9/29.6
	1590004530	S.TRA DMG564050R	[#12]	
Q16	1590004070	S.TRA LDTC144EET1G	[#11]	B 40.5/11.3
	1590004070	S.TRA LDTC144EET1G	[#12]	
Q17	1590004070	S.TRA LDTC144EET1G	[#11]	T 19.9/17.9
	1590004070	S.TRA LDTC144EET1G	[#12]	
Q22	1530004000	S.TRA 2SC4738-GR (TE85LF)		B 32.4/14.2
Q23	1510001100	S.TRA 2SA1832-GR (TE85RF)		B 28.1/17.0
Q24	1510001100	S.TRA 2SA1832-GR (TE85RF)		B 40.8/28.5
Q25	1560001730	S.FET RUE002N02 TL		B 35.8/29.7
Q31	1510001100	S.TRA 2SA1832-GR (TE85RF)		T 14.7/13.5
Q32	1510001100	S.TRA 2SA1832-GR (TE85RF)		T 13.4/18.5
Q33	1590004070	S.TRA LDTC144EET1G		T 17.2/7.4
Q34	1590004070	S.TRA LDTC144EET1G		T 14.8/15.5
D1	1750001810	S.DIO L1SS400T1G		T 5.4/19.4
	1750002220	S.DIO DA6J101KOR		T 3.4/16.6
D4	1750001810	S.DIO L1SS400T1G	[#11]	T 3.9/12.1
	1750001810	S.DIO L1SS400T1G	[#22]	
D6	1750001810	S.DIO L1SS400T1G	[#12]	B 11.2/56.2
	1750001810	S.DIO L1SS400T1G	[#22]	
D8	1750001810	S.DIO L1SS400T1G		B 32.5/72.5
	1750001810	S.DIO L1SS400T1G		B 13.2/6.8
D16	1750001810	S.DIO L1SS400T1G	[#11]	
	1750001810	S.DIO L1SS400T1G	[#12]	
D17	1750001810	S.DIO L1SS400T1G	[#11]	B 17.5/12.6
	1750001810	S.DIO L1SS400T1G	[#12]	
D18	1750001790	S.DIO 1SS390 TE61		B 40.7/57.6
	1750001810	S.DIO L1SS400T1G		B 26.3/36.4
D34	1750001810	S.DIO L1SS400T1G		B 45.0/44.6
	1750001810	S.DIO L1SS400T1G	[#11]	T 17.8/12.6
D46	1750001810	S.DIO L1SS400T1G	[#12]	
	1750001810	S.DIO L1SS400T1G		B 32.5/17.4
D47	1750001810	S.DIO L1SS400T1G		B 36.0/28.1
	1750001810	S.DIO L1SS400T1G		
X1	6050013790	S.XTA CR-981 (19.6608 MHz)		B 39.7/53.9
R3	7030015910	S.RES RMC1/16S-101JTH (100)	[#11]	B 33.6/8.2
	7030015910	S.RES RMC1/16S-101JTH (100)	[#12]	
R5	7030016020	S.RES RMC1/16S-104JTH (100 k)		B 23.5/70.8
	7030016020	S.RES RMC1/16S-104JTH (100 k)		B 22.6/70.8
R16	7030015970	S.RES RMC1/16S-103JTH (10 k)		B 26.9/73.2
R17	7030015970	S.RES RMC1/16S-103JTH (10 k)		B 28.3/71.6
R18	7030015970	S.RES RMC1/16S-103JTH (10 k)		T 11.0/35.2
R25	7030016160	S.RES RMC1/16S-820JTH (82)		T 22.0/35.2
R26	7030016160	S.RES RMC1/16S-820JTH (82)		B 31.8/8.2
R28	7030016560	S.RES RMC1/16SJPTH	[#11]	
	7030016560	S.RES RMC1/16SJPTH	[#12]	
R60	7030016340	S.RES RMC1/16S-393JTH (39 k)	[#11]	B 22.0/8.4
	7030016340	S.RES RMC1/16S-393JTH (39 k)	[#12]	
R61	7030016110	S.RES RMC1/16S-473JTH (47 k)	[#11]	B 13.3/8.8
	7030016110	S.RES RMC1/16S-473JTH (47 k)	[#12]	
R62	7030016020	S.RES RMC1/16S-104JTH (100 k)	[#11]	B 12.2/8.4
	7030016020	S.RES RMC1/16S-104JTH (100 k)	[#12]	
R63	7030016330	S.RES RMC1/16S-153JTH (15 k)	[#11]	B 11.0/2.3
	7030016330	S.RES RMC1/16S-153JTH (15 k)	[#12]	
R64	7030015960	S.RES RMC1/16S-472JTH (4.7 k)	[#11]	B 4.5/9.2
	7030015960	S.RES RMC1/16S-472JTH (4.7 k)	[#12]	
R65	7030016040	S.RES RMC1/16S-224JTH (220 k)	[#11]	B 9.2/6.6
	7030016040	S.RES RMC1/16S-224JTH (220 k)	[#12]	
R66	7030016040	S.RES RMC1/16S-224JTH (220 k)	[#11]	B 9.2/5.7
	7030016040	S.RES RMC1/16S-224JTH (220 k)	[#12]	

Eqv.= This component is equivalent to the REF No. component listed above, and may be substituted on parts orders and repairs.

[LOGIC UNIT] (for #11, #12, #21, and #22)

REF NO.	PART NO.	DESCRIPTION	M.	H/V LOCATION
R67	7030015970	S.RES RMC1/16S-103JTH (10 k)	[#11]	B 5.9/10.2
R68	7030015970	S.RES RMC1/16S-103JTH (10 k)	[#12]	
	7030016200	S.RES RMC1/16S-274JTH (270 k)	[#11]	B 5.9/11.8
R69	7030016200	S.RES RMC1/16S-274JTH (270 k)	[#12]	
	7030016360	S.RES RMC1/16S-123JTH (12 k)	[#11]	B 2.8/14.3
R72	7030016360	S.RES RMC1/16S-123JTH (12 k)	[#12]	
	7030015960	S.RES RMC1/16S-472JTH (4.7 k)	[#11]	B 9.9/15.3
R73	7030015960	S.RES RMC1/16S-472JTH (4.7 k)	[#12]	
	7030015960	S.RES RMC1/16S-472JTH (4.7 k)	[#11]	B 21.7/24.9
R74	7030016040	S.RES RMC1/16S-224JTH (220 k)	[#11]	B 21.7/24.0
	7030016040	S.RES RMC1/16S-224JTH (220 k)	[#12]	
R75	7030016110	S.RES RMC1/16S-473JTH (47 k)	[#11]	B 23.7/24.0
	7030016110	S.RES RMC1/16S-473JTH (47 k)	[#12]	
R76	7030016110	S.RES RMC1/16S-473JTH (47 k)	[#11]	B 22.7/26.4
	7030016110	S.RES RMC1/16S-473JTH (47 k)	[#12]	
R77	7030016040	S.RES RMC1/16S-224JTH (220 k)	[#11]	B 24.8/25.0
	7030016040	S.RES RMC1/16S-224JTH (220 k)	[#12]	
R78	7030015960	S.RES RMC1/16S-472JTH (4.7 k)	[#11]	B 26.5/25.5
	7030015960	S.RES RMC1/16S-472JTH (4.7 k)	[#12]	
R79	7030016120	S.RES RMC1/16S-682JTH (6.8 k)	[#11]	B 24.8/13.4
	7030016120	S.RES RMC1/16S-682JTH (6.8 k)	[#12]	
R80	7030016030	S.RES RMC1/16S-154JTH (150 k)	[#11]	B 26.0/15.4
	7030016030	S.RES RMC1/16S-154JTH (150 k)	[#12]	
R81	7030016290	S.RES RMC1/16S-222JTH (2.2 k)	[#11]	B 23.9/15.0
	7030016290	S.RES RMC1/16S-222JTH (2.2 k)	[#12]	
R82	7030015960	S.RES RMC1/16S-472JTH (4.7 k)	[#11]	B 26.4/13.3
	7030015960	S.RES RMC1/16S-472JTH (4.7 k)	[#12]	
R83	7030016040	S.RES RMC1/16S-224JTH (220 k)	[#11]	B 22.4/15.3
	7030016040	S.RES RMC1/16S-224JTH (220 k)	[#12]	
R84	7030015960	S.RES RMC1/16S-472JTH (4.7 k)	[#11]	B 16.6/18.0
	7030015960	S.RES RMC1/16S-472JTH (4.7 k)	[#12]	
R85	7030016360	S.RES RMC1/16S-123JTH (12 k)	[#11]	B 14.4/21.3
	7030016360	S.RES RMC1/16S-123JTH (12 k)	[#12]	
R86	7030016560	S.RES RMC1/16SJPTH	[#11]	B 15.3/21.3
	7030016560	S.RES RMC1/16SJPTH	[#12]	
R88	7030016000	S.RES RMC1/16S-823JTH (82 k)	[#11]	B 18.2/23.5
	7030016000	S.RES RMC1/16S-823JTH (82 k)	[#12]	
R91	7030016100	S.RES RMC1/16S-334JTH (330 k)	[#11]	B 23.0/10.4
	7030016100	S.RES RMC1/16S-334JTH (330 k)	[#12]	
R93	7030016070	S.RES RMC1/16S-474JTH (470 k)	[#11]	B 21.5/14.4
	7030016070	S.RES RMC1/16S-474JTH (470 k)	[#12]	
R94	7030016450	S.RES RMC1/16S-824JTH (820 k)	[#11]	B 23.0/13.7
	7030016450	S.RES RMC1/16S-824JTH (820 k)	[#12]	
R95	7030016090	S.RES RMC1/16S-223JTH (22 k)	[#11]	B 19.2/13.0
	7030016090	S.RES RMC1/16S-223JTH (22 k)	[#12]	
R112	7030016320	S.RES RMC1/16S-225JTH (2.2 M)	[#11]	B 16.7/11.0
	7030016320	S.RES RMC1/16S-225JTH (2.2 M)	[#12]	
R145	7030016060	S.RES RMC1/16S-105JTH (1 M)		T 2.2/13.8
R146	7030016060	S.RES RMC1/16S-105JTH (1 M)		T 2.7/14.8
R147	7030016060	S.RES RMC1/16S-105JTH (1 M)		T 5.6/13.8
R148	7030016060	S.RES RMC1/16S-105JTH (1 M)		T 4.1/9.3
R151	7510001661	S.THR NTCG16 4LH 473JT		T 34.8/24.7
R152	7030008270	S.RES RR0510P-104-D (100 k)		T 36.8/25.5
	7030016360	S.RES RMC1/16S-123JTH (12 k)	[#11]	B 21.5/9.8
R558	7030016360	S.RES RMC1/16S-123JTH (12 k)	[#12]	
	7030015520	S.RES RMC1/16JPTH		B 28.0/32.2
R856	7030015900	S.RES RMC1/16S-470JTH (47)	[#11]	B 19.2/88.3
	7030015900	S.RES RMC1/16S-470JTH (47)	[#12]	
R857	7030016560	S.RES RMC1/16SJPTH	[#11]	B 18.8/85.4
	7030016560	S.RES RMC1/16SJPTH	[#12]	
R858	7030016560	S.RES RMC1/16SJPTH	[#11]	B 21.5/79.2
	7030016560	S.RES RMC1/16SJPTH	[#12]	
R859	7030016560	S.RES RMC1/16SJPTH	[#11]	B 28.7/86.5
	7030016560	S.RES RMC1/16SJPTH	[#12]	
R860	7030016020	S.RES RMC1/16S-104JTH (100 k)	[#11]	B 28.7/87.4
	7030016020	S.RES RMC1/16S-104JTH (100 k)	[#12]	
R861	7030016020	S.RES RMC1/16S-104JTH (100 k)	[#11]	B 29.7/97.1
	7030016020	S.RES RMC1/16S-104JTH (100 k)	[#12]	
R862	7030016560	S.RES RMC1/16SJPTH	[#11]	B 28.9/98.0
	7030016560	S.RES RMC1/16SJPTH	[#12]	
R863	7030016560	S.RES RMC1/16SJPTH	[#11]	T 22.8/16.1
	7030016560	S.RES RMC1/16SJPTH	[#12]	
R864	7030016110	S.RES RMC1/16S-473JTH (47 k)	[#11]	B 40.1/16.4
	7030016110	S.RES RMC1/16S-473JTH (47 k)	[#12]	
R865	7030016110	S.RES RMC1/16S-473JTH (47 k)	[#11]	B 38.5/15.3
	7030016110	S.RES RMC1/16S-473JTH (47 k)	[#12]	
R866	7030016020	S.RES RMC1/16S-104JTH (100 k)	[#11]	T

[LOGIC UNIT] (for #11, #12, #21, and #22)

REF NO.	PART NO.	DESCRIPTION	M.	H/V LOCATION
R882	7030015970	S.RES RMC1/16S-103JTH (10 k)	B	29.6/16.9
R883	7030016380	S.RES RMC1/16S-183JTH (18 k)	B	30.9/17.3
R884	7030016360	S.RES RMC1/16S-123JTH (12 k)	B	30.9/14.1
R885	7030015970	S.RES RMC1/16S-103JTH (10 k)	B	39.2/28.6
R886	7030016380	S.RES RMC1/16S-183JTH (18 k)	B	38.0/28.1
R887	7030016560	S.RES RMC1/16SJPTH	B	38.0/30.2
R888	7030015970	S.RES RMC1/16S-103JTH (10 k)	B	42.8/31.9
R901	7030014460	S.RES MCR006YZPJ 101 (100)	B	30.3/43.5
R902	7030014460	S.RES MCR006YZPJ 101 (100)	B	23.5/43.3
R903	7030014460	S.RES MCR006YZPJ 101 (100)	B	30.2/61.4
R906	7030014460	S.RES MCR006YZPJ 101 (100)	B	23.5/62.3
R907	7030014460	S.RES MCR006YZPJ 101 (100)	B	39.2/50.1
R908	7030016060	S.RES RMC1/16S-105JTH (1 M)	B	37.1/52.9
R909	7030016150	S.RES RMC1/16S-100JTH (10)	B	35.8/53.0
R910	7030016360	S.RES RMC1/16S-123JTH (12 k)	B	39.3/57.6
R911	7030016090	S.RES RMC1/16S-223JTH (22 k)	B	39.3/56.7
R912	7030016360	S.RES RMC1/16S-123JTH (12 k)	B	42.0/58.4
R913	7030015960	S.RES RMC1/16S-472JTH (4.7 k)	B	26.0/67.7
R914	7030016020	S.RES RMC1/16S-104JTH (100 k)	B	25.0/68.2
R917	7030016020	S.RES RMC1/16S-104JTH (100 k)	T	24.1/21.2
R920	7030016020	S.RES RMC1/16S-104JTH (100 k)	T	23.7/20.0
R925	7030015970	S.RES RMC1/16S-103JTH (10 k)	B	44.4/52.9
R926	7030016560	S.RES RMC1/16SJPTH	B	9.9/16.2
	7030016560	S.RES RMC1/16SJPTH	[#11]	
	7030016560	S.RES RMC1/16SJPTH	[#12]	
R927	7030016560	S.RES RMC1/16SJPTH	B	20.7/15.3
	7030016560	S.RES RMC1/16SJPTH	[#11]	
	7030016560	S.RES RMC1/16SJPTH	[#12]	
R928	7030016560	S.RES RMC1/16SJPTH	B	21.3/26.2
	7030016560	S.RES RMC1/16SJPTH	[#11]	
	7030016560	S.RES RMC1/16SJPTH	[#12]	
R929	7030014460	S.RES MCR006YZPJ 101 (100)	B	24.6/50.9
	7030014460	S.RES MCR006YZPJ 101 (100)	[#11]	
	7030014460	S.RES MCR006YZPJ 101 (100)	[#12]	
R930	7030014460	S.RES MCR006YZPJ 101 (100)	B	24.0/51.9
	7030014460	S.RES MCR006YZPJ 101 (100)	[#11]	
	7030014460	S.RES MCR006YZPJ 101 (100)	[#12]	
R931	7030016020	S.RES RMC1/16S-104JTH (100 k)	B	23.8/49.3
R932	7030016020	S.RES RMC1/16S-104JTH (100 k)	B	23.4/50.5
R933	7030015970	S.RES RMC1/16S-103JTH (10 k)	B	22.1/69.6
R934	7030015960	S.RES RMC1/16S-472JTH (4.7 k)	B	26.0/69.8
R935	7030015960	S.RES RMC1/16S-472JTH (4.7 k)	B	35.3/54.5
R937	7030016560	S.RES RMC1/16SJPTH	B	30.3/27.6
R940	7030016020	S.RES RMC1/16S-104JTH (100 k)	B	28.4/61.3
R943	7030016020	S.RES RMC1/16S-104JTH (100 k)	B	35.6/44.1
R944	7030016020	S.RES RMC1/16S-104JTH (100 k)	B	36.5/47.0
R945	7030016020	S.RES RMC1/16S-104JTH (100 k)	B	19.2/86.6
	7030016020	S.RES RMC1/16S-104JTH (100 k)	[#11]	
	7030016020	S.RES RMC1/16S-104JTH (100 k)	[#12]	
R946	7030016020	S.RES RMC1/16S-104JTH (100 k)	B	20.3/79.6
	7030016020	S.RES RMC1/16S-104JTH (100 k)	[#11]	
	7030016020	S.RES RMC1/16S-104JTH (100 k)	[#12]	
R947	7030016020	S.RES RMC1/16S-104JTH (100 k)	T	15.9/9.8
	7030016020	S.RES RMC1/16S-104JTH (100 k)	[#11]	
	7030016020	S.RES RMC1/16S-104JTH (100 k)	[#12]	
R949	7030016020	S.RES RMC1/16S-104JTH (100 k)	T	21.1/21.2
R952	7030016020	S.RES RMC1/16S-104JTH (100 k)	T	17.7/26.7
R962	7030016020	S.RES RMC1/16S-104JTH (100 k)	B	39.1/7.1
	7030016020	S.RES RMC1/16S-104JTH (100 k)	[#11]	
	7030016020	S.RES RMC1/16S-104JTH (100 k)	[#12]	
R963	7030016210	S.RES RMC1/16S-121JTH (120)	T	13.2/16.2
R964	7030014400	S.RES MCR006YZPJ 100 (10)	B	28.6/60.4
R965	7030014400	S.RES MCR006YZPJ 100 (10)	B	30.9/59.6
R966	7030014400	S.RES MCR006YZPJ 100 (10)	B	43.4/58.4
R967	7030014400	S.RES MCR006YZPJ 100 (10)	B	34.7/47.9
R968	7030014400	S.RES MCR006YZPJ 100 (10)	B	37.3/49.7
R969	7030014400	S.RES MCR006YZPJ 100 (10)	B	37.3/51.8
R970	7030014400	S.RES MCR006YZPJ 100 (10)	B	26.0/66.3
R971	7030014400	S.RES MCR006YZPJ 100 (10)	B	25.0/66.8
R972	7030014400	S.RES MCR006YZPJ 100 (10)	B	34.6/44.5
R973	7030014400	S.RES MCR006YZPJ 100 (10)	B	35.6/47.1
R974	7030014400	S.RES MCR006YZPJ 100 (10)	B	23.5/47.8
R975	7030014400	S.RES MCR006YZPJ 100 (10)	B	29.3/47.9
R976	7030014400	S.RES MCR006YZPJ 100 (10)	B	28.7/49.7
R977	7030014400	S.RES MCR006YZPJ 100 (10)	B	27.5/47.9
R978	7030014400	S.RES MCR006YZPJ 100 (10)	B	26.0/50.0
R979	7030014400	S.RES MCR006YZPJ 100 (10)	B	33.0/44.0
R980	7030014400	S.RES MCR006YZPJ 100 (10)	B	39.4/51.5
R981	7030014400	S.RES MCR006YZPJ 100 (10)	B	26.0/48.8
R982	7030014400	S.RES MCR006YZPJ 100 (10)	B	28.1/47.9
R983	7030014400	S.RES MCR006YZPJ 100 (10)	B	26.3/47.9
R984	7030014400	S.RES MCR006YZPJ 100 (10)	B	24.1/55.7
R985	7030014400	S.RES MCR006YZPJ 100 (10)	B	37.3/50.6
R986	7030014400	S.RES MCR006YZPJ 100 (10)	B	37.3/49.1
R987	7030014400	S.RES MCR006YZPJ 100 (10)	B	33.1/47.9
R988	7030014400	S.RES MCR006YZPJ 100 (10)	B	37.3/48.5
R989	7030014400	S.RES MCR006YZPJ 100 (10)	B	32.3/47.9
R990	7030014400	S.RES MCR006YZPJ 100 (10)	B	26.0/51.8
R991	7030014400	S.RES MCR006YZPJ 100 (10)	B	26.0/53.0
R992	7030014400	S.RES MCR006YZPJ 100 (10)	B	26.0/52.4
R993	7030014400	S.RES MCR006YZPJ 100 (10)	B	33.5/46.2
R994	7030014400	S.RES MCR006YZPJ 100 (10)	B	28.9/57.7
R995	7030014400	S.RES MCR006YZPJ 100 (10)	B	23.7/58.8
R996	7030014400	S.RES MCR006YZPJ 100 (10)	B	29.0/44.3
R997	7030014400	S.RES MCR006YZPJ 100 (10)	B	28.4/43.5
R998	7030014400	S.RES MCR006YZPJ 100 (10)	B	34.5/46.2
R999	7030014380	S.RES MCR006YZPJ 103 (10 k)	B	31.3/42.9
R1000	7030014400	S.RES MCR006YZPJ 100 (10)	B	26.0/42.5
R1001	7030014400	S.RES MCR006YZPJ 100 (10)	B	26.7/42.5
R1002	7030014400	S.RES MCR006YZPJ 100 (10)	B	26.9/47.9
R1003	7030014400	S.RES MCR006YZPJ 100 (10)	B	26.0/50.0
R1004	7030014400	S.RES MCR006YZPJ 100 (10)	B	37.3/47.9
R1005	7030014400	S.RES MCR006YZPJ 100 (10)	B	32.7/46.2
R1006	7030014380	S.RES MCR006YZPJ 103 (10 k)	B	31.5/47.9
R1007	7030014400	S.RES MCR006YZPJ 100 (10)	B	24.1/47.2
R1008	7030014400	S.RES MCR006YZPJ 100 (10)	B	26.0/49.4
R1009	7030014400	S.RES MCR006YZPJ 100 (10)	B	35.1/46.2
R1010	7030014400	S.RES MCR006YZPJ 100 (10)	B	33.9/47.9
R1011	7030014400	S.RES MCR006YZPJ 100 (10)	B	31.9/46.2
R1012	7030014400	S.RES MCR006YZPJ 100 (10)	B	35.5/57.6
R1013	7030014400	S.RES MCR006YZPJ 100 (10)	B	34.7/57.9
R1014	7030014400	S.RES MCR006YZPJ 100 (10)	B	33.8/57.9
R1015	7030014400	S.RES MCR006YZPJ 100 (10)	B	32.2/57.7
R1016	7030014400	S.RES MCR006YZPJ 100 (10)	B	31.6/57.7

Eqv.= This component is equivalent to the REF No. component listed above, and may be substituted on parts orders and repairs.

[LOGIC UNIT] (for #11, #12, #21, and #22)

REF NO.	PART NO.	DESCRIPTION	M.	H/V LOCATION
R1017	7030014400	S.RES MCR006YZPJ 100 (10)	B	31.0/57.7
R1018	7030014400	S.RES MCR006YZPJ 100 (10)	B	29.5/57.7
R1019	7030014400	S.RES MCR006YZPJ 100 (10)	B	24.1/58.1
R1020	7030014400	S.RES MCR006YZPJ 100 (10)	B	24.1/57.5
R1021	7030014400	S.RES MCR006YZPJ 100 (10)	B	35.0/59.5
R1022	7030014400	S.RES MCR006YZPJ 100 (10)	B	32.2/59.5
R1023	7030014400	S.RES MCR006YZPJ 100 (10)	B	31.6/59.6
R1024	7030014400	S.RES MCR006YZPJ 100 (10)	B	30.1/58.8
R1025	7030014400	S.RES MCR006YZPJ 100 (10)	B	28.0/57.3
R1026	7030014400	S.RES MCR006YZPJ 100 (10)	B	24.1/56.9
R1027	7030014400	S.RES MCR006YZPJ 100 (10)	B	37.7/58.5
R1028	7030014400	S.RES MCR006YZPJ 100 (10)	B	34.3/59.5
R1029	7030014400	S.RES MCR006YZPJ 100 (10)	B	33.2/60.1
R1030	7030014400	S.RES MCR006YZPJ 100 (10)	B	28.5/62.4
R1031	7030014400	S.RES MCR006YZPJ 100 (10)	B	44.3/55.4
R1032	7030014400	S.RES MCR006YZPJ 100 (10)	B	36.8/57.8
R1033	7030014400	S.RES MCR006YZPJ 100 (10)	B	34.3/61.9
R1034	7030014400	S.RES MCR006YZPJ 100 (10)	B	31.6/62.0
R1035	7030014400	S.RES MCR006YZPJ 100 (10)	B	30.4/57.7
R1036	7030014400	S.RES MCR006YZPJ 100 (10)	B	20.6/63.1
R1037	7030014390	S.RES MCR006YZPJ 102 (1 k)	B	24.1/56.3
R1038	7030014400	S.RES MCR006YZPJ 100 (10)	B	24.1/55.1
R1039	7030014390	S.RES MCR006YZPJ 102 (1 k)	B	26.0/54.7
R1040	7030014400	S.RES MCR006YZPJ 100 (10)	B	44.9/55.4
R1041	7030014400	S.RES MCR006YZPJ 100 (10)	B	24.1/54.3
R1042	7030014400	S.RES MCR006YZPJ 100 (10)	B	26.0/53.9
R1043	7030014400	S.RES MCR006YZPJ 100 (10)	B	24.1/53.5
R1044	7030014400	S.RES MCR006YZPJ 100 (10)	B	20.7/68.3
R1045	7030014400	S.RES MCR006YZPJ 100 (10)	B	43.9/52.0
R1046	7030014400	S.RES MCR006YZPJ 100 (10)	B	23.5/61.7
R1047	7030014400	S.RES MCR006YZPJ 100 (10)	B	44.0/51.4
R1050	7030014400	S.RES MCR006YZPJ 100 (10)	B	24.1/46.6
R1053	7030015970	S.RES RMC1/16S-103JTH (10 k)	T	14.7/11.9
R1054	7030015970	S.RES RMC1/16S-103JTH (10 k)	T	15.0/18.6
R1055	7030015970	S.RES RMC1/16S-103JTH (10 k)	T	15.0/10.2
R1056	7030015970	S.RES RMC1/16S-103JTH (10 k)	T	14.6/17.0
R1057	7030016150	S.RES RMC1/16S-100JTH (10)	B	41.0/40.6
R1059	7030016560	S.RES RMC1/16SJPTH	[#11]	
	7030016560	S.RES RMC1/16SJPTH	[#12]	
R1060	7030016560	S.RES RMC1/16SJPTH	[#11]	
	7030016560	S.RES RMC1/16SJPTH	[#12]	
R1061	7210003820	VAR TP76D1190E20-20.5F -10KB-3699	T	16.6/13.6
R1062	7030016560	S.RES RMC1/16SJPTH	B	40.3/89.6
R1063	7030015970	S.RES RMC1/16S-103JTH (10 k)	[#11]	
	7030015970	S.RES RMC1/16S-103JTH (10 k)	[#12]	
R1064	7030016560	S.RES RMC1/16SJPTH	T	13.7/4.9
R1065	7030016560	S.RES RMC1/16SJPTH	T	13.7/7.7
R1066	7030016560	S.RES RMC1/16SJPTH	T	11.3/3.6
R1067	7030016560	S.RES RMC1/16SJPTH	T	12.6/10.5
R1068	7030016560	S.RES RMC1/16SJPTH	T	10.3/3.6
R1069	7030016560	S.RES RMC1/16SJPTH	T	5.6/21.3
R1070	7030016560	S.RES RMC1/16SJPTH	T	9.4/4.5
R1071	7030016560	S.RES RMC1/16SJPTH	T	5.4/17.4
R1072	7030016560	S.RES RMC1/16SJPTH	T	8.2/3.9
R1073	7030016560	S.RES RMC1/16SJPTH	T	13.7/6.7
R1074	7030016020	S.RES RMC1/16S-104JTH (100 k)	B	28.5/46.5
R1075	7030014400	S.RES MCR006YZPJ 100 (10)	B	37.3/51.2
R1076	7030014400	S.RES MCR006YZPJ 100 (10)	B	30.9/47.9
R1077	7030016560	S.RES RMC1/16SJPTH	[#11]	
	7030016560	S.RES RMC1/16SJPTH	[#12]	
R1078	7030016090	S.RES RMC1/16S-223JTH (22 k)	B	30.9/16.4
R1079	7030016290	S.RES RMC1/16S-222JTH (2.2 k)	B	38.0/29.0
R1081	7030016060	S.RES RMC1/16S-105JTH (1 M)	B	33.5/63.6
R1082	7030016050	S.RES RMC1/16S-102JTH (1 k)	B	36.8/42.0
R1083	7030016110	S.RES RMC1/16S-473JTH (47 k)	B	23.2/46.4
R1084	7410001340	S.ARR EXB28V473JX	B	25.3/45.0
R1085	7030014380	S.RES MCR006YZPJ 103 (10 k)	[#21]	
	7030014380	S.RES MCR006YZPJ 103 (10 k)	[#22]	
R				

[LOGIC UNIT] (for #11, #12, #21, and #22)

REF NO.	PART NO.	DESCRIPTION	M.	H/V LOCATION
C25	4030023010	S.CER 0402B104K160CT	B	29.0/28.1
C31	4030023010	S.CER 0402B104K160CT	B	25.7/34.5
C101	4030023090	S.CER 0402B102K500CT	B	13.8/10.1
	4030023090	S.CER 0402B102K500CT	[#11]	
C102	4030023200	S.CER 0402B471K500CT	B	14.2/5.5
	4030023200	S.CER 0402B471K500CT	[#12]	
C103	4030019560	S.CER GRM21BB31C106KE15L	B	19.9/24.7
	4030019560	S.CER GRM21BB31C106KE15L	[#11]	
C104	4030019560	S.CER GRM21BB31C106KE15L	B	22.1/27.9
	4030019560	S.CER GRM21BB31C106KE15L	[#12]	
C105	4030019560	S.CER GRM21BB31C106KE15L	B	21.3/31.5
	4030019560	S.CER GRM21BB31C106KE15L	[#11]	
C106	4030019560	S.CER GRM21BB31C106KE15L	B	21.3/29.7
	4030019560	S.CER GRM21BB31C106KE15L	[#12]	
C107	4030022940	S.CER 0402B104K100CT	B	26.5/24.6
	4030022940	S.CER 0402B104K100CT	[#11]	
C108	4030023090	S.CER 0402B102K500CT	B	24.8/15.0
	4030023090	S.CER 0402B102K500CT	[#12]	
C109	4030023090	S.CER 0402B102K500CT	B	26.0/14.5
	4030023090	S.CER 0402B102K500CT	[#11]	
C111	4550007300	S.TAN F931A335MAABMA	B	14.4/24.7
	4550007300	S.TAN F931A335MAABMA	[#11]	
C112	4550008210	S.TAN 267M3502 104MR	B	20.3/20.1
	4550008210	S.TAN 267M3502 104MR	[#12]	
C113	4550008210	S.TAN 267M3502 104MR	B	18.2/20.1
	4550008210	S.TAN 267M3502 104MR	[#11]	
C114	4550008210	S.TAN 267M3502 104MR	B	8.0/2.0
	4550008210	S.TAN 267M3502 104MR	[#12]	
C115	4550008210	S.TAN 267M3502 104MR	B	8.0/4.1
	4550008210	S.TAN 267M3502 104MR	[#11]	
C116	4030023090	S.CER 0402B102K500CT	B	11.2/15.0
	4030023090	S.CER 0402B102K500CT	[#12]	
C121	4030023030	S.CER 0402B103K250CT	B	23.0/12.0
	4030023030	S.CER 0402B103K250CT	[#11]	
C122	4030019560	S.CER GRM21BB31C106KE15L	B	18.8/11.0
	4030019560	S.CER GRM21BB31C106KE15L	[#12]	
C123	4030023090	S.CER 0402B102K500CT	B	24.6/31.5
	4550007520	S.TAN F931A106MAABMA	[#11]	
C125	4550007520	S.TAN F931A106MAABMA	B	4.4/12.2
	4550007520	S.TAN F931A106MAABMA	[#12]	
C155	4030023090	S.CER 0402B102K500CT	T	11.8/2.4
C156	4030023090	S.CER 0402B102K500CT	T	13.5/10.5
C157	4030023090	S.CER 0402B102K500CT	T	13.7/4.0
C158	4030023090	S.CER 0402B102K500CT	T	14.1/8.9
C159	4030023090	S.CER 0402B102K500CT	T	9.9/2.4
C161	4030023090	S.CER 0402B102K500CT	T	35.9/25.5
C600	4030023030	S.CER 0402B103K250CT	B	21.5/10.8
	4030023030	S.CER 0402B103K250CT	[#11]	
C629	4030023010	S.CER 0402B104K160CT	B	24.8/26.6
	4030023010	S.CER 0402B104K160CT	[#12]	
C630	4030022640	S.CER 0402N101J500CT	B	19.3/90.9
	4030022640	S.CER 0402N101J500CT	[#11]	
C631	4050000380	S.FEE NFM15PC104R1A3D	B	18.2/89.2
	4050000380	S.FEE NFM15PC104R1A3D	[#12]	
C632	4050000380	S.FEE NFM15PC104R1A3D	B	33.6/94.1
	4050000380	S.FEE NFM15PC104R1A3D	[#11]	
C633	4030019560	S.CER GRM21BB31C106KE15L	B	33.7/92.4
	4030019560	S.CER GRM21BB31C106KE15L	[#12]	
C634	4030023090	S.CER 0402B102K500CT	B	32.6/94.0
	4030023090	S.CER 0402B102K500CT	[#11]	
C637	4030023090	S.CER 0402B102K500CT	B	28.7/88.4
	4030023090	S.CER 0402B102K500CT	[#12]	
C638	4030023090	S.CER 0402B102K500CT	B	19.2/84.1
	4030023090	S.CER 0402B102K500CT	[#11]	
C639	4030023090	S.CER 0402B102K500CT	B	22.5/79.2
	4030023090	S.CER 0402B102K500CT	[#12]	
C640	4030023090	S.CER 0402B102K500CT	B	29.9/87.9
	4030023090	S.CER 0402B102K500CT	[#11]	
C641	4030023090	S.CER 0402B102K500CT	B	18.3/84.1
	4030023090	S.CER 0402B102K500CT	[#12]	
C642	4030023090	S.CER 0402B102K500CT	B	19.6/78.7
	4030023090	S.CER 0402B102K500CT	[#11]	
C643	4050000380	S.FEE NFM15PC104R1A3D	T	20.1/13.2
	4050000380	S.FEE NFM15PC104R1A3D	[#12]	
C645	4030021240	S.CER C1005 JB 1C 105K-T	B	36.3/10.2
	4030021240	S.CER C1005 JB 1C 105K-T	[#11]	
C648	4030022540	S.CER 0402N3R0B500CT	T	25.0/16.5
	4030022540	S.CER 0402N3R0B500CT	[#12]	
C649	4030022540	S.CER 0402N3R0B500CT	T	23.6/18.8
	4030022540	S.CER 0402N3R0B500CT	[#11]	
C650	4030023010	S.CER 0402B104K160CT	B	40.4/5.5
	4030023010	S.CER 0402B104K160CT	[#12]	
C651	4030019560	S.CER GRM21BB31C106KE15L	B	36.7/7.1
	4030019560	S.CER GRM21BB31C106KE15L	[#11]	
C652	4030022640	S.CER 0402N101J500CT	B	39.0/3.3
	4030022640	S.CER 0402N101J500CT	[#12]	
C653	4030023010	S.CER 0402B104K160CT	B	42.2/5.1
	4030023010	S.CER 0402B104K160CT	[#11]	
C654	4030023090	S.CER 0402B102K500CT	B	41.3/89.6
	4030023090	S.CER 0402B102K500CT	[#12]	
C655	4030023090	S.CER 0402B102K500CT	B	39.3/89.6
	4030023090	S.CER 0402B102K500CT	[#11]	
C656	4030023090	S.CER 0402B102K500CT	B	38.3/89.7
	4030023090	S.CER 0402B102K500CT	[#12]	
C657	4030023090	S.CER 0402B102K500CT	B	42.3/89.6
	4030023010	S.CER 0402B104K160CT	B	28.6/10.3
C660	4030023010	S.CER 0402B104K160CT	B	34.2/30.5
	4030019560	S.CER GRM21BB31C106KE15L	B	43.4/44.6
C662	4030021520	S.CER GRM31CB31H106KA12L	T	31.4/24.4
	4030021520	S.CER GRM31CB31H106KA12L	[#11]	
C663	4030021520	S.CER GRM31CB31H106KA12L	T	32.4/28.2
	4030021520	S.CER GRM31CB31H106KA12L	[#12]	
C664	4030021520	S.CER GRM31CB31H106KA12L	T	32.4/30.4
	4030023010	S.CER 0402B104K160CT	T	33.3/22.3
C666	4030023010	S.CER 0402B104K160CT	T	33.7/23.8
	4030022630	S.CER 0402N100C500CT	B	37.1/54.5
C669	4030022520	S.CER 0402N1R0B500CT	B	42.0/53.9
	4030022640	S.CER 0402N101J500CT	B	42.1/56.8
C672	4030023010	S.CER 0402B104K160CT	B	39.3/58.5
	4030023030	S.CER 0402B103K250CT	B	26.9/68.8
C677	4030022940	S.CER 0402B104K100CT	B	27.5/43.2

[LOGIC UNIT] (for #11, #12, #21, and #22)

REF NO.	PART NO.	DESCRIPTION	M.	H/V LOCATION
C678	4030023090	S.CER 0402B102K500CT	B	31.5/41.9
C679	4030023090	S.CER 0402B102K500CT	B	37.1/56.1
C680	4030023090	S.CER 0402B102K500CT	B	36.2/56.2
C681	4030022940	S.CER 0402B104K100CT	B	35.3/56.2
C682	4030023000	S.CER 0402B683K100CT	B	22.8/65.8
C683	4030022940	S.CER 0402B104K100CT	B	24.1/68.2
C684	4030023010	S.CER 0402B104K160CT	B	36.2/54.5
C687	4030023010	S.CER 0402B104K160CT	B	25.2/36.6
C688	4030019560	S.CER GRM21BB31C106KE15L	B	23.8/36.4
C689	4030023090	S.CER 0402B102K500CT	B	29.0/27.2
C693	4030022940	S.CER 0402B104K100CT	T	16.4/15.5
C694	4030023090	S.CER 0402B102K500CT	[#11]	
	4030023090	S.CER 0402B102K500CT	[#12]	
C695	4030023010	S.CER 0402B104K160CT	T	18.8/7.4
	4030023010	S.CER 0402B104K160CT	[#11]	
C696	4030023010	S.CER 0402B104K160CT	T	15.9/11.4
	4030023010	S.CER 0402B104K160CT	[#12]	
C698	4030023010	S.CER 0402B104K160CT	B	39.9/47.0
	4030023010	S.CER 0402B104K160CT	[#11]	
C699	4030023010	S.CER 0402B104K160CT	B	43.2/42.2
	4030023090	S.CER 0402B102K500CT	B	44.2/42.2
C700	4030023090	S.CER 0402B102K500CT	B	25.7/33.6
	4030023090	S.CER 0402B102K500CT	[#11]	
C701	4030023090	S.CER 0402B102K500CT	T	21.7/11.2
	4030023000	S.CER 0402B683K100CT	[#12]	
C704	4030023000	S.CER 0402B683K100CT	[#11]	
	4030023090	S.CER 0402B102K500CT	T	22.8/17.0
C705	4030023090	S.CER 0402B102K500CT	[#12]	
	4030023090	S.CER 0402B102K500CT	[#11]	
C708	4030023090	S.CER 0402B102K500CT	[#12]	
	4030023090	S.CER 0402B102K500CT	[#11]	
C709	4030021240	S.CER C1005 JB 1C 105K-T	B	26.6/20.9
	4030021240	S.CER C1005 JB 1C 105K-T	[#12]	
C711	4030023090	S.CER 0402B102K500CT	B	36.3/4.4
	4030022920	S.CER 0402N820J500CT	B	39.1/33.8
C712	4030022920	S.CER 0402N820J500CT	B	31.1/45.6
	4030022920	S.CER 0402N820J500CT	[#11]	
C713	4030022920	S.CER 0402N820J500CT	B	24.5/42.4
	4030020000	S.CER C1005 JB 1A 105K-T	B	31.3/65.3
C715	4030023820	S.CER 0603B104K250CT	B	26.7/63.6
C716	4030023210	S.CER 0402B472K500CT	B	34.1/64.8
C717	4030023210	S.CER 0402B472K500CT	B	26.9/58.1
C718	4030023210	S.CER 0402B472K500CT	B	31.5/27.6
C719	4030023210	S.CER 0402B472K500CT	B	40.0/18.9
C720	4550008210	S.TAN 267M3502 104MR	B	5.8/15.6
	4550008210	S.TAN 267M3502 104MR	[#11]	
C721	4550008210	S.TAN 267M3502 104MR	[#12]	
	4550008210	S.TAN 267M3502 104MR	[#11]	
C722	4030021240	S.CER C1005 JB 1C 105K-T	B	9.1/20.4
	4030021240	S.CER C1005 JB 1C 105K-T	[#12]	
C723	4030021240	S.CER C1005 JB 1C 105K-T	[#11]	
	4030021240	S.CER C1005 JB 1C 105K-T	[#12]	
C724	4030023090	S.CER 0402B102K500CT	B	26.5/72.0
				35.9/58.6
J1	6510030220	S.CON 50RF-JMCS-G		
J2	6510031390	S.CON 15FXVL-RSM1-GAN-TF-1 (HF)	B	35.5/23.0
			T	9.4/7.9
J3	6510023480	S.CON AYU1-1P-02676-120-TF	[#11]	
			B	23.2/96.1
J4	6510031380	S.CON AYU1-1P-02676-120-TF	[#12]	
			T	24.4/24.8
DS2	5040003550	S.LED NSSW208T	T	13.8/35.5
DS3	5040003550	S.LED NSSW208T	T	24.8/35.5
DS4	5040003550	S.LED NSSW208T	T	35.8/35.5
DS5	5030004360	LCD TM128160D1CIWUGND		
S23	2260003320	S.SWI SKRTLAE010	B	2.1/83.2
S24	2260003320	S.SWI SKRTLAE010	B	2.1/44.4
S25	2260003320	S.SWI SKRTLAE010	B	2.1/34.4
EP3	6910023920	S.BEA BLM15GA750SN1D	[#11]	
EP4	6910023920	S.BEA BLM15GA750SN1D	B	38.5/16.4
			[#12]	
EP9	6910023920	S.BEA BLM15GA750SN1D	[#11]	
			B	36.9/15.3
EP10	6910020610	S.BEA BLM15BD102SN1D	[#12]	
			B	18.4/90.9
EP11	6910020610	S.BEA BLM15BD102SN1D	[#11]	
			T	34.7/22.6
EP12	6910020610	S.BEA BLM15BD102SN1D	T	30.8/20.7
			T	25.0/21.2
EP13	6910020610	S.BEA BLM15BD102SN1D	T	17.7/28.7
EP14	6910020610	S.BEA BLM15BD102SN1D	T	23.2/21.2
EP16	6910020610	S.BEA BLM15BD102SN1D	T	17.7/27.8
EP19	6910020610	S.BEA BLM15BD102SN1D	T	22.3/21.2

Eqv.= This component is equivalent to the REF No. component listed above, and may be substituted on parts orders and repairs.

[MAIN UNIT] (for #11, #12, #21, and #22)

REF NO.	PART NO.	DESCRIPTION	M.	H/V LOCATION
R9	7030015780	S.RES RMC1/10-331JTP (330)	T	12.2/105.2
R10	7030015930	S.RES RMC1/16S-471JTH (2.7 k)	T	6.0/74.2
R11	7030016290	S.RES RMC1/16S-222JTH (2.2 k)	T	6.8/70.9
R12	7030016290	S.RES RMC1/16S-222JTH (2.2 k)	T	9.0/70.9
R13	7030016090	S.RES RMC1/16S-223JTH (2.2 k)	T	8.0/72.2
R14	7030015960	S.RES RMC1/16S-472JTH (4.7 k)	T	6.5/81.4
R15	7030015910	S.RES RMC1/16S-101JTH (100)	T	9.0/81.3
R16	7030015980	S.RES RMC1/16S-333JTH (33 k)	T	7.8/82.1
R17	7030016110	S.RES RMC1/16S-473JTH (47 k)	T	5.9/77.2
R18	7030015920	S.RES RMC1/16S-221JTH (220)	T	8.7/74.6
R19	7510001461	S.THE NTCG16 3NH 471JT	B	6.9/75.7
R20	7030015680	S.RES RMC1/10-150JTP (15)	B	16.1/64.0
R21	7030016050	S.RES RMC1/16S-102JTH (1 k)	B	7.7/63.9
R22	7030016050	S.RES RMC1/16S-102JTH (1 k)	B	13.7/63.0
R23	7030016150	S.RES RMC1/16S-100JTH (10)	B	7.0/65.3
R24	7030016170	S.RES RMC1/16S-560JTH (56)	B	9.6/60.5
R25	7030016270	S.RES RMC1/16S-151JTH (150)	B	11.0/59.4
R26	7030016170	S.RES RMC1/16S-560JTH (56)	B	9.6/58.0
R27	7030016510	S.RES RMC1/16S-47JTH (4.7)	T	15.5/72.8
R28	7030016080	S.RES RMC1/16S-822JTH (8.2 k)	T	11.8/57.9
R29	7030015950	S.RES RMC1/16S-152JTH (1.5 k)	T	10.1/58.8
R30	7030015970	S.RES RMC1/16S-103JTH (10 k)	B	11.9/57.6
R40	7030016330	S.RES RMC1/16S-153JTH (15 k)	T	10.1/57.9
R41	7030015930	S.RES RMC1/16S-471JTH (470)	B	13.9/105.3
R43	7030016040	S.RES RMC1/16S-224JTH (220 k)	B	19.9/100.5
R44	7030016000	S.RES RMC1/16S-823JTH (82 k)	B	32.7/106.7
R45	7030016110	S.RES RMC1/16S-473JTH (47 k)	B	31.8/106.7
R47	7030016500	S.RES RMC1/16S-562JTH (5.6 k)	B	13.9/107.3
R48	7030016540	S.RES RMC1/16SK334FTH (330 k)	B	36.2/106.7
R49	7030015900	S.RES RMC1/16S-470JTH (47)	B	33.9/107.1
R51	7030016370	S.RES RMC1/16S-271JTH (270)	B	30.5/103.9
R52	7030016050	S.RES RMC1/16S-102JTH (1 k)	B	33.8/102.4
R53	7030015910	S.RES RMC1/16S-101JTH (100)	B	10.0/107.4
R54	7030016040	S.RES RMC1/16S-224JTH (220 k)	B	28.7/101.4
R58	7030016040	S.RES RMC1/16S-224JTH (220 k)	B	29.6/98.5
R59	7030016030	S.RES RMC1/16S-154JTH (150 k)	B	33.6/96.9
R60	7030015990	S.RES RMC1/16S-683JTH (68 k)	B	33.6/98.0
R62	7030016390	S.RES RMC1/16S-184JTH (180 k)	B	25.3/93.6
R63	7030015990	S.RES RMC1/16S-683JTH (68 k)	B	23.2/93.8
R64	7030015910	S.RES RMC1/16S-101JTH (100)	B	30.9/92.8
R65	7030016180	S.RES RMC1/16S-680JTH (68)	B	26.4/94.7
R66	7030016050	S.RES RMC1/16S-102JTH (1 k)	B	33.1/95.0
R67	7030016560	S.RES RMC1/16SJPTH	B	33.9/106.2
R68	7030015960	S.RES RMC1/16S-472JTH (4.7 k)	B	25.4/79.2
R69	7030016050	S.RES RMC1/16S-102JTH (1 k)	B	26.0/75.2
R70	7030015960	S.RES RMC1/16S-472JTH (4.7 k)	B	25.2/80.1
R71	7030016050	S.RES RMC1/16S-102JTH (1 k)	T	4.0/67.8
R72	7030016220	S.RES RMC1/16S-563JTH (56 k)	B	34.0/65.7
R73	7030015970	S.RES RMC1/16S-103JTH (10 k)	B	29.9/68.1
R74	7030016150	S.RES RMC1/16S-100JTH (10)	B	39.1/78.9
R75	7030016040	S.RES RMC1/16S-224JTH (220 k)	B	40.6/81.2
R76	7030016020	S.RES RMC1/16S-104JTH (100 k)	B	31.2/73.1
R77	7030016050	S.RES RMC1/16S-102JTH (1 k)	B	34.0/68.1
R79	7030015970	S.RES RMC1/16S-103JTH (10 k)	B	30.3/71.5
R80	7030016020	S.RES RMC1/16S-104JTH (100 k)	B	28.2/71.8
R81	7030016290	S.RES RMC1/16S-222JTH (2.2 k)	B	27.3/68.1
R82	7030016070	S.RES RMC1/16S-474JTH (470 k)	B	30.8/70.2
R83	7030016090	S.RES RMC1/16S-223JTH (22 k)	B	40.6/82.1
R87	7030015910	S.RES RMC1/16S-101JTH (100)	T	41.7/68.3
R90	7030016040	S.RES RMC1/16S-224JTH (220 k)	B	29.9/66.9
R94	7030016560	S.RES RMC1/16SJPTH	B	29.9/70.2
R99	7030016110	S.RES RMC1/16S-473JTH (47 k)	B	28.9/66.9
R100	7030016000	S.RES RMC1/16S-823JTH (82 k)	B	27.7/66.4
R101	7030016100	S.RES RMC1/16S-334JTH (330 k)	B	30.2/65.6
R102	7030016320	S.RES RMC1/16S-225JTH (2.2 M)	B	30.2/63.3
R107	7030015780	S.RES RMC1/10-331JTP (330)	T	37.0/106.9
R108	7030015690	S.RES RMC1/10-180JTP (18)	T	33.5/106.5
R109	7030015970	S.RES RMC1/16S-103JTH (10 k)	T	31.8/107.4
R111	7030015970	S.RES RMC1/16S-103JTH (10 k)	B	9.6/57.1
R114	7030016370	S.RES RMC1/16S-271JTH (270)	B	13.6/57.1
R115	7030016090	S.RES RMC1/16S-223JTH (22 k)	B	13.0/53.7
R117	7030015920	S.RES RMC1/16S-221JTH (220)	B	11.6/50.8
R118	7030016130	S.RES RMC1/16S-150JTH (15)	T	10.7/50.7
R119	7030016050	S.RES RMC1/16S-102JTH (1 k)	B	15.9/50.2
R120	7030016110	S.RES RMC1/16S-473JTH (47 k)	B	13.1/50.2
R121	7030015910	S.RES RMC1/16S-101JTH (100)	B	15.0/48.8
R122	7030016170	S.RES RMC1/16S-560JTH (56)	B	26.7/41.0
R123	7030011000	S.RES RR0510P-392-D (3.9 k)	T	20.9/47.3
R124	7030011000	S.RES RR0510P-392-D (3.9 k)	T	8.8/46.3
R130	7030016290	S.RES RMC1/16S-222JTH (2.2 k)	B	4.4/52.9
R134	7030015930	S.RES RMC1/16S-471JTH (470)	B	23.6/44.2
R135	7030016480	S.RES RMC1/16S-821JTH (82 k)	B	24.5/47.1
R140	7030016020	S.RES RMC1/16S-104JTH (100 k)	B	29.7/23.2
R142	7030015640	S.RES RMC1/10JPTTP	T	18.5/31.3
R145	7030005820	S.RES RR0510P-123-D (10 k)	B	21.0/27.9
R147	7030005950	S.RES RR0510P-103-D (12 k)	B	19.8/28.3
R148	7030016050	S.RES RMC1/16S-102JTH (1 k)	B	19.1/26.5
R150	7030016020	S.RES RMC1/16S-104JTH (100 k)	B	21.6/23.4
R192	7030016740	S.RES RMC1/16SK474DTH (470 k)	T	35.5/16.1
R193	7030016750	S.RES RMC1/16SK124DTH (120 k)	T	34.7/19.6
R194	7030016740	S.RES RMC1/16SK474DTH (470 k)	T	19.9/109.9
R195	7030016750	S.RES RMC1/16SK124DTH (120 k)	T	17.3/109.4
R210	7030016560	S.RES RMC1/16SJPTH	B	33.3/23.2
R211	7030016390	S.RES RMC1/16S-184JTH (180 k)	B	28.0/58.0
R212	7030016110	S.RES RMC1/16S-473JTH (47 k)	B	27.8/56.8
R213	7030016340	S.RES RMC1/16S-393JTH (39 k)	B	29.6/56.6
R214	7030016450	S.RES RMC1/16S-824JTH (820 k)	B	23.5/57.0
R219	7030015660	S.RES RMC1/10-2R7JTP (2.7)	T	11.2/79.6
R220	7030015930	S.RES RMC1/16S-471JTH (470)	B	40.8/117.2
R222	7030016040	S.RES RMC1/16S-224JTH (220 k)	B	44.7/115.2
R223	7030015970	S.RES RMC1/16S-103JTH (10 k)	B	42.3/113.8
R224	7030016330	S.RES RMC1/16S-153JTH (15 k)	B	44.5/113.1
R225	7030015970	S.RES RMC1/16S-103JTH (10 k)	B	37.7/126.3
R226	7030016090	S.RES RMC1/16S-223JTH (22 k)	T	35.6/101.7
R227	7030016050	S.RES RMC1/16S-102JTH (1 k)	T	39.4/44.1

Eqv.= This component is equivalent to the REF No. component listed above, and may be substituted on parts orders and repairs.

[MAIN UNIT] (for #11, #12, #21, and #22)

REF NO.	PART NO.	DESCRIPTION	M.	H/V LOCATION
R231	7030016560	S.RES RMC1/16SJPTH	T	37.1/32.8
R252	7030016560	S.RES RMC1/16SJPTH	B	25.5/44.4
R253	7030016490	S.RES RMC1/16S-391JTH (390)	B	24.6/44.4
R254	7030015960	S.RES RMC1/16S-472JTH (4.7 k)	B	10.9/44.2
R256	7030011920	S.RES RR0510P-561-D (560)	T	20.9/48.6
R258	7030008340	S.RES RR0510P-182-D (1.8 k)	T	17.8/46.1
R260	7030008340	S.RES RR0510P-182-D (1.8 k)	T	8.7/47.2
R262	7030011920	S.RES RR0510P-561-D (560)	T	14.0/44.7
R265	7030015930	S.RES RMC1/16S-471JTH (470)	T	18.3/50.3
R266	7030015990	S.RES RMC1/16S-683JTH (68 k)	T	17.1/49.3
R274	7030015930	S.RES RMC1/16S-471JTH (470)	B	33.0/68.4
R283	7030016390	S.RES RMC1/16S-184JTH (180 k)	B	29.6/57.5
R290	7030015900	S.RES RMC1/16S-470JTH (47)	T	43.7/68.3
R293	7030016000	S.RES RMC1/16S-823JTH (82 k)	B	35.2/106.7
R299	7030015640	S.RES RMC1/10JPTTP	T	17.2/79.6
R302	7030015970	S.RES RMC1/16S-103JTH (10 k)	T	11.8/100.9
R303	7030015970	S.RES RMC1/16S-103JTH (10 k)	T	13.2/101.6
R304	7030015970	S.RES RMC1/16S-103JTH (10 k)	T	12.0/114.7
R305	7030016290	S.RES RMC1/16S-222JTH (2.2 k)	T	13.6/113.0
R311	7030016040	S.RES RMC1/16S-224JTH (220 k)	B	27.8/103.3
R313	7030015900	S.RES RMC1/16S-470JTH (47)	B	10.3/51.4
R316	7030016090	S.RES RMC1/16S-223JTH (22 k)	B	33.6/57.5
R317	7030016110	S.RES RMC1/16S-473JTH (47 k)	B	31.5/56.6
R318	7030015970	S.RES RMC1/16S-103JTH (10 k)	B	32.7/58.4
R319	7030016110	S.RES RMC1/16S-473JTH (47 k)	B	33.6/56.6
R320	7030016300	S.RES RMC1/16S-332JTH (3.3 k)	T	7.6/83.8
R321	7510001661	S.THR NTCG16 4LH 473JT	T	7.4/85.2
R322	7030016190	S.RES RMC1/16S-273JTH (27 k)	T	6.7/83.8
R323	7030016440	S.RES RMC1/16S-272JTH (2.7 k)	T	6.4/82.5
R331	7030016050	S.RES RMC1/16S-102JTH (1 k)	T	7.1/76.7
R333	7030016190	S.RES RMC1/16S-273JTH (27 k)	T	8.5/77.5
R334	7030015970	S.RES RMC1/16S-103JTH (10 k)	B	32.0/41.4
R338	7030016000	S.RES RMC1/16S-823JTH (82 k)	T	9.2/119.6
R349	7030015640	S.RES RMC1/10JPTTP	B	39.6/88.5
R352	7030016270	S.RES RMC1/16S-151JTH (150)	B	32.2/80.6
R353	7030016560	S.RES RMC1/16SJPTH	B	31.2/90.8
R355	7030016240	S.RES RMC1/16S-684JTH (680 k)	B	45.1/72.3
R357	7030016050	S.RES RMC1/16S-102JTH (1 k)	B	45.1/78.7
R359	7030016050	S.RES RMC1/16S-102JTH (1 k)	B	21.5/39.7
R361	7030016090	S.RES RMC1/16S-223JTH (22 k)	B	27.0/82.6
R363	7030016090	S.RES RMC1/16S-223JTH (22 k)	B	28.8/93.4
R366	7030015910	S.RES RMC1/16S-101JTH (100)	B	23.5/81.7
R367	7030015910	S.RES RMC1/16S-101JTH (100)	B	22.8/91.8
R368	7030015970	S.RES RMC1/16S-103JTH (10 k)	B	14.7/54.7
R369	7030016050	S.RES RMC1/16S-102JTH (1 k)	B	25.6/76.4
R370	7030016050	S.RES RMC1/16S-102JTH (1 k)	B	12.2/102.0
R374	7030016330	S.RES RMC1/16S-153JTH (15 k)	B	39.5/77.2
R375	7030016360	S.RES RMC1/16S-123JTH (12 k)	T	27.1/87.2
R376	7030016330	S.RES RMC1/16S-153JTH (15 k)	B	37.0/66.6
R377	7030016360	S.RES RMC1/16S-123JTH (12 k)	T	39.4/71.7
R378	7030016270	S.RES RMC1/16S-151JTH (150)	B	15.4/57.9
R379	7030016470	S.RES RMC1/16S-390JTH (39)	B	14.5/57.9
R380	7030016270	S.RES RMC1/16S-151JTH (150)	B	15.9/59.1
R381	7030016050	S.RES RMC1/16S-102JTH (1 k)	B	29.0/73.1
R388	7030016360	S.RES RMC1/16S-123JTH (12 k)	T	43.3/71.3
R389	7030016360	S.RES RMC1/16S-123JTH (12 k)	T	28.5/69.3
R390	7030016050	S.RES RMC1/16S-102JTH (1 k)	T	31.1/68.1
R391	7030016060	S.RES RMC1/16S-105JTH (1 M)	B	33.3/36.5
R393	7030016450	S.RES RMC1/16S-824JTH (820 k)	B	29.4/37.6
R394	7030016400	S.RES RMC1/16S-564JTH (560 k)	B	30.8/37.0
R397	7030016560	S.RES RMC1/16SJPTH	B	24.3/95.7
R398	7030016020	S.RES RMC1/16S-104JTH (100 k)	B	26.5/66.3
R399	7030008270	S.RES RR0510P-104-D (100 k)	B	21.1/65.4
R400	7030005840	S.RES RR0510P-473-D (47 k)	B	23.7/62.4
R401	7030016560	S.RES RMC1/16SJPTH	B	25.0/61.9
R405	7030015970	S.RES RMC1/16S-103JTH (10 k)	B	42.8/79.0
R407	7030016110	S.RES RMC1/16S-473JTH (47 k)	B	22.9/38.4
R417	7030016020	S.RES RMC1/16S-104JTH (100 k)	B	40.6/39.5
R419	7030016290	S.RES RMC1/16S-222JTH (2.2 k)	B	10.1/111.6
R426				

[MAIN UNIT] (for #11, #12, #21, and #22)

REF NO.	PART NO.	DESCRIPTION	M.	H/V LOCATION
R488	7030018520	S.RES RMC1/16SK564FTH (560 k)	B	11.3/34.4
R489	7030016930	S.RES RMC1/16SK274DTH (270 k)	B	12.1/33.2
R490	7030005850	S.RES RR0510P-563-D (56 k)	B	13.9/29.9
R491	7030007610	S.RES RR0510P-683-D (68 k)	B	12.4/27.6
R492	7030008270	S.RES RR0510P-104-D (100 k)	B	13.9/25.4
R493	7030016750	S.RES RMC1/16SK124DTH (120 k)	B	13.0/22.6
R494	7030016750	S.RES RMC1/16SK124DTH (120 k)	B	13.0/21.0
R495	7030016750	S.RES RMC1/16SK124DTH (120 k)	B	13.0/19.1
R497	7030015980	S.RES RMC1/16S-333JTH (33 k)	B	12.1/8.8
R498	7030016400	S.RES RMC1/16S-564JTH (560 k)	T	43.2/35.3
R499	7030015960	S.RES RMC1/16S-472JTH (4.7 k)	T	43.3/36.2
R500	7030015980	S.RES RMC1/16S-333JTH (33 k)	T	42.3/25.6
R501	7030016250	S.RES RMC1/16S-220JTH (22)	T	34.6/34.6
R502	7030016560	S.RES RMC1/16SJPTH	T	35.1/39.1
R503	7030016200	S.RES RMC1/16S-274JTH (270 k)	T	21.2/125.0
R504	7030015970	S.RES RMC1/16S-103JTH (10 k)	T	23.0/125.0
R505	7030016020	S.RES RMC1/16S-104JTH (100 k)	T	33.0/121.1
R515	7030016020	S.RES RMC1/16S-104JTH (100 k)	T	7.9/21.7
R519	7030012340	S.RES RR0510P-821-D	B	26.6/14.8
R520	7030016750	S.RES RMC1/16SK124DTH (120 k)	B	27.5/9.3
R521	7030016020	S.RES RMC1/16S-104JTH (100 k)	T	32.2/13.7
R524	7030016560	S.RES RMC1/16SJPTH	T	26.8/33.7
R526	7030016050	S.RES RMC1/16S-102JTH (1 k)	B	13.5/8.4
R527	7030015980	S.RES RMC1/16S-333JTH (33 k)	B	40.4/24.6
R528	7030016290	S.RES RMC1/16S-222JTH (2.2 k)	B	37.7/23.0
R529	7030015910	S.RES RMC1/16S-101JTH (100)	B	36.6/23.9
R530	7030016420	S.RES RMC1/16S-182JTH (1.8 k)	B	19.9/24.3
R532	7030016560	S.RES RMC1/16SJPTH	B	21.5/24.3
R537	7030015970	S.RES RMC1/16S-103JTH (10 k)	T	23.2/99.3
R540	7030016330	S.RES RMC1/16S-153JTH (15 k)	T	48.0/42.0
R541	7030016100	S.RES RMC1/16S-334JTH (330 k)	T	48.0/40.1
R542	7030016050	S.RES RMC1/16S-102JTH (1 k)	T	42.1/39.0
R543	7030016320	S.RES RMC1/16S-225JTH (2.2 M)	T	44.7/38.6
R544	7030016220	S.RES RMC1/16S-563JTH (56 k)	T	40.3/38.1
R545	7030016100	S.RES RMC1/16S-334JTH (330 k)	T	46.6/37.5
R546	7030016060	S.RES RMC1/16S-105JTH (1 M)	T	48.5/38.3
R548	7030016070	S.RES RMC1/16S-474JTH (470 k)	T	34.9/28.5
R549	7030016220	S.RES RMC1/16S-563JTH (56 k)	T	34.3/24.4
R550	7030016560	S.RES RMC1/16SJPTH	T	32.5/36.7
R551	7030016560	S.RES RMC1/16SJPTH	T	32.5/37.6
R552	7030016560	S.RES RMC1/16SJPTH	T	32.0/38.7
R554	7030016560	S.RES RMC1/16SJPTH	T	29.1/41.6
R555	7030016560	S.RES RMC1/16SJPTH	T	26.7/64.0
R556	7030016560	S.RES RMC1/16SJPTH	T	25.7/64.0
R558	7030016560	S.RES RMC1/16SJPTH	T	23.5/63.6
R559	7030016560	S.RES RMC1/16SJPTH	T	21.0/61.1
R561	7030016560	S.RES RMC1/16SJPTH	T	27.7/62.1
R562	7030016560	S.RES RMC1/16SJPTH	T	28.4/60.0
R563	7030016380	S.RES RMC1/16S-183JTH (18 k)	B	10.0/8.0
R564	7030016020	S.RES RMC1/16S-104JTH (100 k)	B	11.1/4.0
R565	7030016020	S.RES RMC1/16S-104JTH (100 k)	B	9.6/5.0
R566	7030015980	S.RES RMC1/16S-333JTH (33 k)	B	11.7/7.6
R568	7030016050	S.RES RMC1/16S-102JTH (1 k)	B	13.3/7.5
R569	7030016020	S.RES RMC1/16S-104JTH (100 k)	B	35.7/48.1
R571	7030006020	S.RES RR0510P-682-D (6.8 k)	B	27.8/14.4
R572	7030016500	S.RES RMC1/16S-562JTH (5.6 k)	T	15.4/12.2
R573	7030019630	S.RES RL1220S-1R8-F (1.8)	T	20.3/10.6
R574	7030019630	S.RES RL1220S-1R8-F (1.8)	T	22.0/10.6
R575	7030019630	S.RES RL1220S-1R8-F (1.8)	T	27.5/7.6
R577	7030015940	S.RES RMC1/16S-681JTH (680)	T	23.8/12.7
R578	7030015970	S.RES RMC1/16S-103JTH (10 k)	T	24.6/14.7
R580	7030016050	S.RES RMC1/16S-102JTH (1 k)	T	16.8/19.4
R581	7030015970	S.RES RMC1/16S-103JTH (10 k)	T	21.1/18.5
R582	7030019580	S.RES RG1005P-104-B-T5 (100 k)	T	29.8/12.2
R583	7030006020	S.RES RR0510P-682-D (6.8 k)	T	30.0/13.8
R584	7030019580	S.RES RG1005P-104-B-T5 (100 k)	T	30.4/15.0
R585	7030019600	S.RES RG1005P-103-B-T5 (10 k)	T	14.3/16.6
R588	7030019630	S.RES RL1220S-1R8-F (1.8)	T	28.3/5.1
R589	7030019600	S.RES RG1005P-103-B-T5 (10 k)	T	15.6/18.3
R590	7030016050	S.RES RMC1/16S-102JTH (1 k)	T	14.7/15.3
R591	7030016050	S.RES RMC1/16S-102JTH (1 k)	T	16.3/11.7
R593	7030016560	S.RES RMC1/16SJPTH	B	38.6/27.2
R594	7030016020	S.RES RMC1/16S-104JTH (100 k)	T	46.1/44.8
R595	7030016020	S.RES RMC1/16S-104JTH (100 k)	T	43.1/44.7
R596	7030016050	S.RES RMC1/16S-102JTH (1 k)	B	21.7/57.4
R597	7030016060	S.RES RMC1/16S-105JTH (1 M)	B	27.5/55.8
R600	7030016050	S.RES RMC1/16S-102JTH (1 k)	B	35.5/51.8
R601	7030016560	S.RES RMC1/16SJPTH	B	20.2/65.4
R602	7030016560	S.RES RMC1/16SJPTH	T	22.1/98.4
R604	7030016560	S.RES RMC1/16SJPTH	T	26.9/90.2
R605	7030016020	S.RES RMC1/16S-104JTH (100 k)	B	38.9/7.7
R606	7520000241	S.POS PRF18B-C471QB5RB	T	14.8/79.1
R607	7030015960	S.RES RMC1/16S-472JTH (4.7 k)	T	18.9/78.3
R608	7030016050	S.RES RMC1/16S-102JTH (1 k)	T	20.3/6.8
R609	7030015970	S.RES RMC1/16S-103JTH (10 k)	T	18.4/9.4
R610	7030015970	S.RES RMC1/16S-103JTH (10 k)	T	18.1/10.7
R612	7030015910	S.RES RMC1/16S-101JTH (100)	T	15.9/20.4
R613	7030016560	S.RES RMC1/16SJPTH	T	21.7/118.8
R617	7030016290	S.RES RMC1/16S-222JTH (2.2 k)	B	29.4/79.2
R619	7030016560	S.RES RMC1/16SJPTH	B	9.3/61.7
R620	7030015910	S.RES RMC1/16S-101JTH (100)	T	44.8/36.2
R621	7030015960	S.RES RMC1/16S-472JTH (4.7 k)	B	15.4/18.4
R622	7030016110	S.RES RMC1/16S-473JTH (47 k)	B	15.4/21.3
R623	7030016110	S.RES RMC1/16S-473JTH (47 k)	B	10.2/28.3
R624	7030016110	S.RES RMC1/16S-473JTH (47 k)	B	14.3/31.2
R626	7030015960	S.RES RMC1/16S-472JTH (4.7 k)	B	6.0/16.1
R627	7030016110	S.RES RMC1/16S-473JTH (47 k)	B	6.9/21.5
R629	7030016110	S.RES RMC1/16S-473JTH (47 k)	B	6.9/25.6
R632	7030016110	S.RES RMC1/16S-473JTH (47 k)	B	6.9/31.3
R635	7030015900	S.RES RMC1/16S-470JTH (47)	B	7.5/67.2
R637	7030016020	S.RES RMC1/16S-104JTH (100 k)	B	40.0/64.2
R638	7030016290	S.RES RMC1/16S-222JTH (2.2 k)	B	31.9/77.7
R639	7030016050	S.RES RMC1/16S-102JTH (1 k)	B	24.8/78.0
R642	7030015940	S.RES RMC1/16S-681JTH (680)	T	23.3/13.9
R644	7030016020	S.RES RMC1/16S-104JTH (100 k)	T	39.7/45.4

Eqv. = This component is equivalent to the REF No. component listed above, and may be substituted on parts orders and repairs.

[MAIN UNIT] (for #11, #12, #21, and #22)

REF NO.	PART NO.	DESCRIPTION	M.	H/V LOCATION
R645	7030016020	S.RES RMC1/16S-104JTH (100 k)	T	39.7/47.0
R646	7030016020	S.RES RMC1/16S-104JTH (100 k)	T	38.8/47.6
R647	7030016020	S.RES RMC1/16S-104JTH (100 k)	T	37.9/47.6
R648	7030016020	S.RES RMC1/16S-104JTH (100 k)	T	41.8/46.6
R649	7030016360	S.RES RMC1/16S-123JTH (12 k)	T	32.3/85.4
R650	7030016360	S.RES RMC1/16S-123JTH (12 k)	T	[#11] [12]
R651	7030016050	S.RES RMC1/16S-102JTH (1 k)	T	31.1/69.0
R652	7030016560	S.RES RMC1/16SJPTH	B	36.5/79.5
R652	7030016090	S.RES RMC1/16S-223JTH (22 k)	B	21.2/72.2
R653	7030016050	S.RES RMC1/16S-102JTH (1 k)	T	20.3/75.7
R654	7030015960	S.RES RMC1/16S-472JTH (4.7 k)	B	23.9/79.2
R655	7030016030	S.RES RMC1/16S-154JTH (150 k)	B	32.6/64.9
R656	7030016190	S.RES RMC1/16S-273JTH (27 k)	B	27.3/61.1
R657	7030016040	S.RES RMC1/16S-224JTH (220 k)	B	28.0/59.6
R658	7030015930	S.RES RMC1/16S-471JTH (470)	B	15.4/105.8
R660	7030016020	S.RES RMC1/16S-104JTH (100 k)	B	31.4/23.0
R662	7030016050	S.RES RMC1/16S-102JTH (1 k)	T	39.1/12.2
R670	7030016360	S.RES RMC1/16S-123JTH (12 k)	T	34.5/70.8
R670	7030016360	S.RES RMC1/16S-123JTH (12 k)	T	[#11] [12]
R671	7030017740	S.RES RMC1/10-271JTP (270)	T	35.2/106.7
R672	7030015900	S.RES RMC1/16S-470JTH (47)	B	17.5/105.9
R673	7030015930	S.RES RMC1/16S-471JTH (470)	B	22.4/80.0
R674	7030016460	S.RES RMC1/16S-181JTH (180)	T	28.2/110.6
R677	7030015960	S.RES RMC1/16S-472JTH (4.7 k)	T	32.5/46.8
R678	7030016020	S.RES RMC1/16S-104JTH (100 k)	T	33.1/45.7
R679	7030010990	S.RES RR0510P-272-D (2.7 k)	B	25.4/14.4
R680	7030016090	S.RES RMC1/16S-223JTH (22 k)	B	33.6/29.6
C3	4030023580	S.CER 0603N220J500CT	T	8.3/118.0
C4	4030023410	S.CER 0603N9R0D500CT	T	9.6/113.8
C5	4030023620	S.CER 0603N270J500CT	T	6.7/113.8
C6	4030023350	S.CER 0603N5R0B500CT	T	8.3/112.0
C7	4030023580	S.CER 0603N220J500CT	T	3.2/107.8
C8	4030023850	S.CER 0603B102K500CT	T	5.1/107.0
C9	4030023850	S.CER 0603B102K500CT	T	12.7/108.5
C10	4030023850	S.CER 0603B102K500CT	T	9.0/103.8
C11	4030022610	S.CER 0402N0R3B500CT	T	11.5/103.8
C13	4030023580	S.CER 0603N220J500CT	T	7.1/102.6
C14	4030023580	S.CER 0603N220J500CT	T	9.0/98.7
C15	4030022610	S.CER 0402N0R3B500CT	T	11.2/98.5
C17	4030023200	S.CER 0402B471K500CT	T	7.2/74.0
C19	4030023590	S.CER 0603N221J500CT	T	9.0/97.5
C20	4030023090	S.CER 0402B102K500CT	T	14.5/109.4
C23	4030023130	S.CER 0402B222K500CT	T	9.2/71.8
C24	4030023010	S.CER 0402B104K160CT	T	14.5/91.0
C25	4030023090	S.CER 0402B102K500CT	T	8.5/83.8
C28	4030023030	S.CER 0402B103K250CT	T	9.7/88.4
C29	4030023090	S.CER 0402B102K500CT	B	14.7/63.0
C30	4030022880	S.CER 0402N560J500CT	T	13.4/78.0
C31	4030023030	S.CER 0402B103K250CT	T	17.6/75.9
C32	4030023090	S.CER 0402B102K500CT	T	8.7/76.2
C33	4030023090	S.CER 0402B102K500CT	B	14.4/61.7
C34	4030022630	S.CER 0402N100C500CT	T	14.6/70.3
C35	4030022880	S.CER 0402N560J500CT	T	15.5/69.4
C37	4550007360	S.TAN F931A226MBABMA	T	19.6/69.7
C38	4030023090	S.CER 0402B102K500CT	T	18.8/73.7
C39	4030022700	S.CER 0402N180J500CT	B	6.0/64.3
C40	4030023090	S.CER 0402B102K500CT	B	11.0/57.6
C48	4030023090	S.CER 0402B102K500CT	T	19.9/57.6
C49	4550007390	S.TAN F931C225MAABMA	T	10.4/56.3
C50	4030023820	S.CER 0603B104K250CT	T	19.1/55.6
C51	4030023090	S.CER 0402B102K500CT	T	10.1/59.7
C52	4030023010	S.CER 0402B104K160CT	T	10.1/60.7
C53	4030023580	S.CER 0603N220J500CT	T	3.2/106.3
C54	4030022740	S.CER 0402N220J500CT	T	11.7/111.2
C56	4030023090	S.CER 0402B102K500CT	T	12.9/110.2
C57	4030023090	S.CER 0402B102K500CT	B	16.4/107.1
C58	4030023090	S.CER 0402B102K500CT	B	12.7/107.1
C60	4030023090	S.CER 0402B102K500CT	B	21.2/100.6
C61	4030023010	S.CER 0402B104K160CT	B	24.0/92.5
C62	4030022700	S.CER 0402N180J500CT	B	27.9/107.0
C63	4030023090	S.CER 0402B102K500CT	B	11.0/109.9
C64	4030023090	S.CER 0402B102K500CT	B</	

[MAIN UNIT] (for #11, #12, #21, and #22)

REF NO.	PART NO.	DESCRIPTION	M.	H/V LOCATION
C100	4030023200	S.CER 0402B471K500CT	B	29.9/69.0
C101	4030019560	S.CER GRM21BB31C106KE15L	B	36.5/78.1
C102	4030023200	S.CER 0402B471K500CT	B	28.6/69.3
C103	4030022540	S.CER 0402N3R0B500CT	B	43.0/74.1
C104	4030023030	S.CER 0402B103K250CT	B	37.0/68.2
C106	4030023010	S.CER 0402B104K160CT	B	40.1/70.6
C107	4030020000	S.CER C1005 JB 1A 105K-T	T	42.6/67.4
C110	4030023090	S.CER 0402B102K500CT	B	36.5/104.1
C113	4030023010	S.CER 0402B104K160CT	B	42.8/80.9
C115	4030023010	S.CER 0402B104K160CT	B	29.3/63.3
C116	4030023090	S.CER 0402B102K500CT	T	18.5/75.9
C117	4030023090	S.CER 0402B102K500CT	T	19.5/80.9
C118	4030023030	S.CER 0402B103K250CT	T	18.6/80.9
C121	4030019560	S.CER GRM21BB31C106KE15L	T	35.3/110.2
C125	4030023030	S.CER 0402B103K250CT	T	21.9/109.5
C126	4030023010	S.CER 0402B104K160CT	T	26.6/122.4
C127	4030023090	S.CER 0402B102K500CT	T	33.9/109.6
C130	4510009700	S.ELE EEEFK1C101P	T	37.9/115.5
C150	4030022680	S.CER 0402N150J500CT	B	11.0/55.0
C151	4030022600	S.CER 0402N9R0C500CT	B	11.9/51.8
C152	4030023090	S.CER 0402B102K500CT	B	14.6/53.8
C153	4030023090	S.CER 0402B102K500CT	B	14.1/49.0
C155	4030022810	S.CER 0402N330J500CT	T	12.5/50.7
C156	4030023090	S.CER 0402B102K500CT	B	15.9/48.9
C168	4550007550	S.TAN F931V334MAABMA	T	17.6/38.3
C169	4550007390	S.TAN F931C225MAABMA	B	25.0/48.6
C170	4030022720	S.CER 0402N1R5B500CT	T	19.2/42.6
C171	4030023090	S.CER 0402B102K500CT	B	12.8/59.1
C172	4030023010	S.CER 0402B104K160CT	B	8.3/52.0
C173	4550008160	S.TAN F931A226MAA	B	7.7/55.0
C174	4030023010	S.CER 0402B104K160CT	B	22.2/50.1
C176	4030023010	S.CER 0402B104K160CT	T	16.4/109.4
C180	4030023010	S.CER 0402B104K160CT	T	34.7/18.7
C187	4030023010	S.CER 0402B104K160CT	B	17.0/25.9
C188	4030017480	S.CER C1608 JB 1A 474K-T	B	18.0/26.4
C190	4030022750	S.CER 0402N221J500CT	B	14.4/104.1
C191	4030023030	S.CER 0402B103K250CT	B	31.5/103.5
C192	4030023090	S.CER 0402B102K500CT	B	26.9/99.6
C193	4030023090	S.CER 0402B102K500CT	B	26.8/98.7
C196	4030023010	S.CER 0402B104K160CT	B	22.6/28.8
C197	4030023020	S.CER 0402B473K160CT	B	27.3/62.2
C201	4030022840	S.CER 0402N390J500CT	B	38.5/68.6
C202	4030023010	S.CER 0402B104K160CT	B	15.0/6.8
C211	4030023330	S.CER 0603N4R0B500CT	T	13.2/119.4
C212	4030023700	S.CER 0603N390J500CT	T	6.7/96.3
C223	4030024520	S.CER C1005 JB 1C 474K-T	B	33.3/21.5
C225	4030024050	S.CER 0603B473K500CT	B	6.8/12.9
C229	4030023030	S.CER 0402B103K250CT	T	44.6/68.8
C232	4030022530	S.CER 0402N2R0B500CT	B	24.1/91.6
C235	4030020000	S.CER C1005 JB 1A 105K-T	B	8.2/108.9
C237	4030023090	S.CER 0402B102K500CT	B	40.8/118.2
C238	4550007270	S.TAN F931A475MAABMA	T	38.5/120.9
C239	4030022980	S.CER 0402B473K100CT	B	44.7/116.2
C240	4030023090	S.CER 0402B102K500CT	B	40.3/116.3
C241	4030023090	S.CER 0402B102K500CT	B	45.3/114.2
C242	4030023010	S.CER 0402B104K160CT	B	37.7/24.7
C243	4030023090	S.CER 0402B102K500CT	B	40.4/114.5
C245	4030023010	S.CER 0402B104K160CT	T	35.3/103.8
C249	4030023090	S.CER 0402B102K500CT	T	27.2/52.8
C274	4030023090	S.CER 0402B102K500CT	B	36.2/84.6
C293	4030023090	S.CER 0402B102K500CT	B	12.7/4.0
C294	4030020000	S.CER C1005 JB 1A 105K-T	B	29.6/55.7
C296	4030023760	S.CER 0603N680J500CT	T	9.2/87.2
C297	4030023530	S.CER 0603N181J500CT	T	6.7/95.1
C301	4030023090	S.CER 0402B102K500CT	B	13.1/43.6
C302	4030022810	S.CER 0402N330J500CT	T	20.9/42.6
C306	4030023670	S.CER 0603N330J500CT	T	16.7/45.0
C307	4030022570	S.CER 0402N6R0C500CT	T	11.7/42.3
C308	4030023090	S.CER 0402B102K500CT	B	11.8/44.2
C309	4030023090	S.CER 0402B102K500CT	B	11.4/46.5
C310	4030023670	S.CER 0603N330J500CT	T	19.5/48.0
C311	4030023790	S.CER 0603N820J500CT	T	9.5/45.2
C312	4030023090	S.CER 0402B102K500CT	T	16.4/46.3
C313	4030023090	S.CER 0402B102K500CT	T	12.5/48.6
C315	4030023670	S.CER 0603N330J500CT	T	12.2/45.2
C316	4030024490	S.CER 0402NR75B500CT	T	16.3/48.4
C317	4030024490	S.CER 0402NR75B500CT	T	12.4/49.7
C319	4030023090	S.CER 0402B102K500CT	T	19.6/49.8
C321	4030023030	S.CER 0402B103K250CT	B	36.1/68.2
C323	4030023030	S.CER 0402B103K250CT	B	27.3/94.7
C327	4030023090	S.CER 0402B102K500CT	B	28.7/103.3
C328	4030023090	S.CER 0402B102K500CT	B	26.9/101.1
C329	4030022530	S.CER 0402N2R0B500CT	B	21.2/104.9
C330	4030023030	S.CER 0402B103K250CT	B	31.1/58.4
C331	4030023010	S.CER 0402B104K160CT	B	12.5/10.2
C333	4030023090	S.CER 0402B102K500CT	B	6.8/97.0
C335	4030023670	S.CER 0603N330J500CT	T	12.9/46.4
C336	4030022860	S.CER 0402N470J500CT	T	10.5/42.2
C338	4030023670	S.CER 0603N330J500CT	T	18.6/44.4
C347	4030023010	S.CER 0402B104K160CT	B	36.5/76.7
C349	4550007550	S.TAN F931V334MAABMA	B	24.9/41.1
C350	4030022860	S.CER 0402N470J500CT	T	16.7/75.9
C351	4030022750	S.CER 0402N221J500CT	T	7.2/67.1
C352	4030023090	S.CER 0402B102K500CT	T	9.2/72.7
C354	4030023090	S.CER 0402B102K500CT	B	36.2/61.6
C355	4030021240	S.CER C1005 JB 1C 105K-T	B	30.8/38.8
C356	4030023010	S.CER 0402B104K160CT	B	40.1/72.5
C357	4030022980	S.CER 0402B473K100CT	B	35.1/66.9
C361	4030022550	S.CER 0402N4R0B500CT	B	30.3/81.1
C364	4030022540	S.CER 0402N3R0B500CT	B	32.5/90.4
C365	4030022680	S.CER 0402N150J500CT	B	33.5/84.2
C372	4030023090	S.CER 0402B102K500CT	T	15.4/91.0
C373	4030023090	S.CER 0402B102K500CT	T	11.1/66.7
C375	4030022610	S.CER 0402N0R3B500CT	T	9.7/112.8
C376	4030023090	S.CER 0402B102K500CT	B	32.9/50.0

Eqv.= This component is equivalent to the REF No. component listed above, and may be substituted on parts orders and repairs.

[MAIN UNIT] (for #11, #12, #21, and #22)

REF NO.	PART NO.	DESCRIPTION	M.	H/V LOCATION
C377	4030022620	S.CER 0402N0R5B500CT	T	10.2/49.3
C379	4030023330	S.CER 0603N4R0B500CT	T	16.8/43.8
C381	4030023090	S.CER 0402B102K500CT	B	36.2/62.8
C383	4030023330	S.CER 0603N4R0B500CT	T	11.4/43.6
C384	4030021520	S.CER GRM31CB31H106KA12L	T	25.0/109.6
C385	4030021240	S.CER C1005 JB 1C 105K-T	T	21.6/106.1
C386	4030022560	S.CER 0402N5R0B500CT	T	11.7/41.2
C387	4030023090	S.CER 0402B102K500CT	B	28.4/41.5
C388	4030023090	S.CER 0402B102K500CT	T	20.3/90.4
C389	4030022560	S.CER 0402N5R0B500CT	T	12.1/39.0
C390	4030023090	S.CER 0402B102K500CT	B	32.8/76.8
C391	4030022900	S.CER 0402N680J500CT	B	26.5/76.4
C392	4030023090	S.CER 0402B102K500CT	B	23.6/75.2
C393	4030020000	S.CER C1005 JB 1A 105K-T	B	24.7/76.4
C394	4030023030	S.CER 0402B103K250CT	B	23.8/76.4
C395	4030023090	S.CER 0402B102K500CT	B	15.9/54.2
C396	4030022660	S.CER 0402N120J500CT	B	15.1/56.7
C397	4030022680	S.CER 0402N150J500CT	B	16.2/60.5
C398	4030022860	S.CER 0402N470J500CT	B	42.1/74.1
C399	4030022650	S.CER 0402N110J500CT	B	42.8/75.6
C400	4030022640	S.CER 0402N101J500CT	B	41.2/74.1
C401	4030022550	S.CER 0402N4R0B500CT	B	41.2/75.5
C402	4030022880	S.CER 0402N560J500CT	B	40.3/74.1
C403	4030023090	S.CER 0402B102K500CT	B	33.0/43.9
C405	4030023090	S.CER 0402B102K500CT	B	19.4/99.2
C407	4030020450	S.CER C1005 JB 0J 475M-T	B	16.3/105.4
C418	4030023090	S.CER 0402B102K500CT	T	40.3/12.6
C420	4030023090	S.CER 0402B102K500CT	T	37.3/104.8
C429	4030022860	S.CER 0402N470J500CT	T	16.4/91.0
C430	4030021240	S.CER C1005 JB 1C 105K-T	T	22.7/78.8
C431	4030023090	S.CER 0402B102K500CT	B	37.2/16.9
C432	4030023090	S.CER 0402B102K500CT	B	38.1/106.7
C438	4030022630	S.CER 0402N100C500CT	B	32.9/41.4
C439	4030022640	S.CER 0402N101J500CT	B	43.7/69.2
C440	4030023090	S.CER 0402B102K500CT	B	33.8/41.4
C441	4030020000	S.CER C1005 JB 1A 105K-T	B	34.8/38.9
C443	4030023090	S.CER 0402B102K500CT	B	23.1/39.7
C444	4030023010	S.CER 0402B104K160CT	B	35.4/46.5
C445	4030021240	S.CER C1005 JB 1C 105K-T	B	34.8/44.3
C446	4030023030	S.CER 0402B103K250CT	B	45.1/79.6
C451	4030023010	S.CER 0402B104K160CT	B	24.4/81.3
C458	4030023010	S.CER 0402B104K160CT	B	29.9/91.1
C459	4030023010	S.CER 0402B104K160CT	B	31.0/80.1
C460	4030023010	S.CER 0402B104K160CT	B	40.0/75.8
C461	4030023010	S.CER 0402B104K160CT	T	25.3/85.9
C462	4030023010	S.CER 0402B104K160CT	T	38.2/72.1
C463	4030023010	S.CER 0402B104K160CT	T	26.2/72.1
C464	4030023010	S.CER 0402B104K160CT	T	44.5/71.7
C466	4030023010	S.CER 0402B104K160CT	T	28.9/72.3
C467	4030023010	S.CER 0402B104K160CT	T	42.1/71.7
C468	4030023010	S.CER 0402B104K160CT	T	26.2/86.8
C469	4030023010	S.CER 0402B104K160CT	B	26.7/84.2
C470	4030023010	S.CER 0402B104K160CT	B	26.6/89.5
C471	4030023010	S.CER 0402B104K160CT	B	33.7/90.8
C472	4030023010	S.CER 0402B104K160CT	B	33.1/80.6
C473	4030022560	S.CER 0402N5R0B500CT	B	41.6/70.4
C474	4030022570	S.CER 0402N6R0C500CT	B	43.9/72.8
C475	4030022880	S.CER 0402N560J500CT	B	41.3/71.7
C476	4030023090	S.CER 0402B102K500CT	B	26.8/80.2
C477	4030023090	S.CER 0402B102K500CT	B	29.7/94.7
C478	4030023030	S.CER 0402B103K250CT	B	22.0/64.9
C479	4030023030	S.CER 0402B103K250CT	B	24.9/62.8
C481	4030019560	S.CER GRM21BB31C106KE15L	B	9.6/109.5
C484	4030023030	S.CER 0402B103K250CT	B	8.7/52.9
C485	4030023090	S.CER 0402B102K500CT	T	25.7/66.2
C486	4030023090	S.CER 0402B102K500CT	T	26.7/66.2
C487	4030023090	S.CER 0402B102K500CT	T	27.7/66.2
C488	4030019560	S.CER GRM21BB31C106KE15L	B	9.5/106.0
C489	4030020000	S.CER C1005 JB 1A 105K-T	B	24.2/72.3
C490	4030023010	S.CER 0402B104K160CT	B	35.7/38.9
C491	4030023090	S.CER 0402B102K500CT	B	31.5/57.2
C492	4030020450	S.CER C1005 JB 0J 475M-T		

[MAIN UNIT] (for #11, #12, #21, and #22)

REF NO.	PART NO.	DESCRIPTION	M.	H/V LOCATION
C538	4520000020	S.NIO NOJC227M006RWJV	T	30.3/26.1
C539	4030023090	S.CER 0402B102K500CT	B	41.3/96.4
C541	4030021240	S.CER C1005 JB 1C 105K-T	B	34.8/27.6
C542	4030023010	S.CER 0402B104K160CT	B	34.5/23.2
C543	4030023090	S.CER 0402B102K500CT	T	15.9/9.5
C544	4030023090	S.CER 0402B102K500CT	T	13.0/6.6
C549	4030017810	S.CER C1608 CH 1H 102J-T	B	5.6/31.1
C550	4030022910	S.CER 0402N681J500CT	B	8.7/33.2
C551	4030018620	S.CER C1608 CH 1H 222J-T	B	6.0/28.1
C552	4030022820	S.CER 0402N331J500CT	B	9.0/28.0
C553	4030019570	S.CER C1608 CH 1H 332J-T	B	5.6/19.4
C554	4030022670	S.CER 0402N121J500CT	B	8.0/23.4
C555	4030022350	S.CER C1608 CH 1H 822J-T	B	5.5/14.7
C557	4030022930	S.CER 0402N821J500CT	B	11.4/35.3
C558	4030022930	S.CER 0402N821J500CT	B	13.0/31.7
C559	4030022690	S.CER 0402N151J500CT	B	10.5/33.2
C560	4030020170	S.CER C1608 CH 1H 472J-T	B	13.7/27.4
C561	4030022870	S.CER 0402N471J500CT	B	11.2/28.3
C562	4030020940	S.CER C1608 CH 1H 392J-T	B	14.1/22.1
C563	4030022640	S.CER 0402N101J500CT	B	12.1/23.2
C564	4030020160	S.CER C1608 CH 1H 103J-T	B	14.1/19.1
C565	4030022680	S.CER 0402N150J500CT	B	9.3/18.3
C566	4030021240	S.CER C1005 JB 1C 105K-T	T	41.5/35.4
C567	4030021240	S.CER C1005 JB 1C 105K-T	T	41.9/36.8
C568	4030021240	S.CER C1005 JB 1C 105K-T	T	40.9/25.9
C569	4030023010	S.CER 0402B104K160CT	T	42.6/26.5
C570	4030023010	S.CER 0402B104K160CT	T	39.6/26.3
C571	4030019560	S.CER GRM21BB31C106KE15L	T	35.0/37.1
C572	4030019560	S.CER GRM21BB31C106KE15L	T	37.6/34.9
C573	4030023090	S.CER 0402B102K500CT	T	9.1/21.3
C574	4030022900	S.CER 0402N680J500CT	B	27.5/10.2
C577	4030021520	S.CER GRM31CB31H106KA12L	B	21.7/9.3
C579	4030021520	S.CER GRM31CB31H106KA12L	B	23.8/9.3
C580	4030021520	S.CER GRM31CB31H106KA12L	B	34.9/6.7
C585	4030023010	S.CER 0402B104K160CT	B	25.4/9.5
C586	4030023030	S.CER 0402B103K250CT	B	26.3/9.5
C587	4030022870	S.CER 0402N471J500CT	B	40.4/23.7
C588	4030022860	S.CER 0402N470J500CT	B	41.6/21.9
C589	4030021240	S.CER C1005 JB 1C 105K-T	B	39.1/22.5
C590	4030023090	S.CER 0402B102K500CT	B	35.2/87.5
C591	4030022640	S.CER 0402N101J500CT	B	36.9/88.1
C592	4030022640	S.CER 0402N101J500CT	B	40.1/96.7
C593	4030023090	S.CER 0402B102K500CT	B	41.5/94.8
C596	4030023090	S.CER 0402B102K500CT	T	11.7/10.7
C597	4030023010	S.CER 0402B104K160CT	B	26.6/26.3
C598	4030021240	S.CER C1005 JB 1C 105K-T	B	25.7/26.3
C599	4030023090	S.CER 0402B102K500CT	T	23.4/118.8
C602	4030023090	S.CER 0402B102K500CT	T	21.2/120.6
C605	4030022640	S.CER 0402N101J500CT	T	28.2/123.0
C608	4030019560	S.CER GRM21BB31C106KE15L	B	21.2/29.9
C610	4030023090	S.CER 0402B102K500CT	T	23.0/97.1
C612	4030019560	S.CER GRM21BB31C106KE15L	T	27.8/91.6
C613	4030023090	S.CER 0402B102K500CT	T	22.1/100.3
C614	4030023010	S.CER 0402B104K160CT	T	25.7/92.4
C615	4030023010	S.CER 0402B104K160CT	T	23.9/97.1
C616	4030023090	S.CER 0402B102K500CT	T	24.8/92.4
C622	4030023060	S.CER 0402B183K250CT	T	46.7/42.3
C623	4030023060	S.CER 0402B183K250CT	T	46.7/40.7
C624	4030023010	S.CER 0402B104K160CT	T	46.6/38.4
C627	4030023010	S.CER 0402B104K160CT	B	10.8/9.2
C628	4030023010	S.CER 0402B104K160CT	B	13.9/5.3
C629	4050000340	S.FEE NFM21PC224R1C3D	B	32.9/6.7
C631	4030022560	S.CER 0402N5R0B500CT	B	10.2/18.3
C632	4030022810	S.CER 0402N330J500CT	B	7.6/17.6
C633	4030023010	S.CER 0402B104K160CT	B	11.1/18.7
C634	4030023010	S.CER 0402B104K160CT	B	13.0/24.2
C635	4030023010	S.CER 0402B104K160CT	B	12.1/28.8
C636	4030023010	S.CER 0402B104K160CT	B	13.1/15.0
C637	4030023010	S.CER 0402B104K160CT	B	12.2/13.7
C638	4030023010	S.CER 0402B104K160CT	B	25.5/57.0
C639	4030023090	S.CER 0402B102K500CT	B	40.6/108.4
C640	4030023090	S.CER 0402B102K500CT	B	45.6/104.3
C641	4030023010	S.CER 0402B104K160CT	T	43.6/46.2
C642	4030023010	S.CER 0402B104K160CT	T	47.9/39.2
C643	4030023010	S.CER 0402B104K160CT	T	41.7/43.5
C644	4030023200	S.CER 0402B471K500CT	T	48.0/41.1
C645	4030023010	S.CER 0402B104K160CT	T	42.1/50.2
C646	4030019560	S.CER GRM21BB31C106KE15L	T	32.8/91.3
C647	4030023010	S.CER 0402B104K160CT	T	28.1/89.8
C648	4030023090	S.CER 0402B102K500CT	B	12.2/60.3
C649	4030023090	S.CER 0402B102K500CT	B	10.2/61.7
C650	4030023010	S.CER 0402B104K160CT	T	19.8/15.8
C651	4030023010	S.CER 0402B104K160CT	T	13.8/21.2
C652	4030023010	S.CER 0402B104K160CT	T	11.7/15.2
C653	4030021240	S.CER C1005 JB 1C 105K-T	T	22.0/97.1
C656	4030023090	S.CER 0402B102K500CT	T	15.6/7.8
C660	4030023090	S.CER 0402B102K500CT	B	6.6/67.2
C661	4030023010	S.CER 0402B104K160CT	T	40.6/46.4
C662	4030023010	S.CER 0402B104K160CT	T	41.2/44.9
C663	4030023010	S.CER 0402B104K160CT	T	33.2/85.4
C664	4030023010	S.CER 0402B104K160CT	B	36.5/41.7
C665	4030023070	S.CER 0402B223K250CT	B	20.7/75.2
C666	4030023010	S.CER 0402B104K160CT	T	34.3/22.5
C667	4030023090	S.CER 0402B102K500CT	B	14.0/15.0
C668	4030023090	S.CER 0402B102K500CT	B	12.0/18.7
C669	4030023090	S.CER 0402B102K500CT	B	13.9/24.2
C670	4030023090	S.CER 0402B102K500CT	B	13.0/29.4
C671	4030022640	S.CER 0402N101J500CT	B	6.0/21.5
C672	4030022640	S.CER 0402N101J500CT	B	6.9/16.1
C673	4030023090	S.CER 0402B102K500CT	T	42.4/45.6
C674	4030023090	S.CER 0402B102K500CT	T	16.1/22.4
C675	4030023090	S.CER 0402B102K500CT	T	6.5/15.7
C676	4030023090	S.CER 0402B102K500CT	T	19.3/79.5
C677	4030019560	S.CER GRM21BB31C106KE15L	B	24.5/68.6
	4030019560	S.CER GRM21BB31C106KE15L	B	24.5/68.6

[MAIN UNIT] (for #11, #12, #21, and #22)

REF NO.	PART NO.	DESCRIPTION	M.	H/V LOCATION
C680	4030023010	S.CER 0402B104K160CT	T	32.7/86.6
	4030023010	S.CER 0402B104K160CT	T	
C681	4030023010	S.CER 0402B104K160CT	T	35.2/81.9
	4030023010	S.CER 0402B104K160CT	T	
C682	4030023010	S.CER 0402B104K160CT	T	30.1/71.4
C683	4030023090	S.CER 0402B102K500CT	B	43.1/94.4
C684	4030023090	S.CER 0402B102K500CT	B	38.9/95.7
J1	6450000870	CON HEC2711-01-020		
J2	6450000131	CON HSJ1102-018540		
J4	6510021901	S.CON BM02B-ASRS-TF (LF) (SN)	T	13.0/4.0
J5	6450001060	CON HSJ1493-01-010		
J6	6510031230	S.CON 50P4.5-JMCS-G-TF (N) (1)	T	35.7/54.3
MC1	7700003060	MIC F6027AP-SBC-462		
S1	2260003640	SWI SKHLLCA010		
EP3	6910014640	S.BEA MPZ2012S221A-T	T	39.3/14.4
EP4	6910014640	S.BEA MPZ2012S221A-T	T	19.5/121.0
EP5	6910014730	S.BEA MPZ2012S331A-T	T	37.0/102.8
EP6	6910014730	S.BEA MPZ2012S331A-T	B	40.2/110.9
EP7	6910014730	S.BEA MPZ2012S331A-T	B	41.8/106.3
EP10	6910014730	S.BEA MPZ2012S331A-T	T	13.9/8.6
EP11	6910014730	S.BEA MPZ2012S331A-T	B	39.7/103.7
EP13	6910020610	S.BEA BLM15BD102SN1D	T	15.7/47.5
EP14	6910020610	S.BEA BLM15BD102SN1D	T	12.5/47.6
EP15	6910014640	S.BEA MPZ2012S221A-T	T	39.7/18.7
EP16	6910014640	S.BEA MPZ2012S221A-T	T	18.5/89.0
EP18	6910020610	S.BEA BLM15BD102SN1D	T	27.7/56.8
EP19	6910020610	S.BEA BLM15BD102SN1D	T	23.5/54.5
EP20	6910020610	S.BEA BLM15BD102SN1D	T	26.6/42.9
EP21	6910020610	S.BEA BLM15BD102SN1D	T	32.6/34.2
EP23	6910014730	S.BEA MPZ2012S331A-T	T	12.2/8.6
EP24	6910014730	S.BEA MPZ2012S331A-T	B	42.4/92.3
EP25	6910020610	S.BEA BLM15BD102SN1D	B	36.5/87.2
EP26	6910020610	S.BEA BLM15BD102SN1D	B	40.1/95.7
EP28	6910020610	S.BEA BLM15BD102SN1D	T	26.9/110.8
EP29	6910014640	S.BEA MPZ2012S221A-T	T	30.3/110.0
EP30	6910014640	S.BEA MPZ2012S221A-T	B	34.9/10.9
EP31	6910020610	S.BEA BLM15BD102SN1D	T	19.5/111.2

Eqv.= This component is equivalent to the REF No. component listed above, and may be substituted on parts orders and repairs.

M.= Mounted side (T: Mounted on the Top side, B: Mounted on the Bottom side)
H/V LOCATION= See the BOARD LAYOUTS for details

[LOGIC-1 UNIT] (for #13, #14, #23, and #24)

REF NO.	PART NO.	DESCRIPTION	M.	H/V LOCATION
IC1	1190004712	S.IC HRM1016-010022	[#13] T	37.3/13.5
	1190004712	S.IC HRM1016-010022	[#14]	
IC11	1110003790	S.IC NJM2903V-TE1-#FMZB	[#13] B	17.6/8.1
	1110003790	S.IC NJM2903V-TE1-#FMZB	[#14]	
IC12	1110006470	S.IC LMV3241PWR	[#13] B	24.1/19.7
	1110006470	S.IC LMV3241PWR	[#14]	
IC13	1110006740	S.IC LMV3581PWR	[#13] B	8.4/11.0
	1110006740	S.IC LMV3581PWR	[#14]	
IC17	1190004620	S.IC GSU-141A-098A	[#13] B	23.8/85.9
	1190004620	S.IC GSU-141A-098A	[#14]	
IC27	1140018060	S.IC R5F52108BDLK	B	31.0/52.9
IC30	1180004760	S.REG S-1200B33-M5T1U	[#13] T	18.2/10.2
	1180004760	S.REG S-1200B33-M5T1U	[#14]	
IC31	1180004760	S.REG S-1200B33-M5T1U	[#13] B	32.5/96.5
	1180004760	S.REG S-1200B33-M5T1U	[#14]	
IC32	1110006490	S.IC LMV321IDCKR	[#13] B	38.6/5.1
	1110006490	S.IC LMV321IDCKR	[#14]	
IC34	1180003570	S.REG NJM2830U1-33-TE1-#ZZZB	B	39.7/44.0
IC35	1130014260	S.IC SN74LVC2GU04DCKR	B	29.0/13.8
IC36	1130014260	S.IC SN74LVC2GU04DCKR	B	40.9/31.9
IC37	1130016621	S.IC GT24C128B-22LI-TR	B	31.3/68.1
IC38	1110007780	S.IC NJU7704F3-28A-TE1-#ZZZH	B	22.4/67.7
IC39	1110007780	S.IC NJU7704F3-28A-TE1-#ZZZH	[#13] T	22.1/13.2
	1110007780	S.IC NJU7704F3-28A-TE1-#ZZZH	[#14]	
IC40	1180005110	S.REG NJM2836DL3-05-TE1	B	31.8/35.9
IC41	1180003460	S.REG NJM2831F05-TE1-#ZZZB	B	29.1/64.5
Q3	1530004190	S.TRA L2SC4617ST1G	B	24.9/72.7
Q5	1590004070	S.TRA LDTC144EET1G	[#13] T	36.3/21.2
	1590004070	S.TRA LDTC144EET1G	[#14]	
Q13	1530004140	S.TRA L2SC4081RT1G	[#13] B	21.1/12.6
	1530004140	S.TRA L2SC4081RT1G	[#14]	
Q15	1590004530	S.TRA DMG564050R	[#13] B	24.9/29.6
	1590004530	S.TRA DMG564050R	[#14]	
Q16	1590004070	S.TRA LDTC144EET1G	[#13] B	40.5/11.3
	1590004070	S.TRA LDTC144EET1G	[#14]	
Q17	1590004070	S.TRA LDTC144EET1G	[#13] T	19.9/17.9
	1590004070	S.TRA LDTC144EET1G	[#14]	
Q22	1530004000	S.TRA 2SC4738-GR (TE85LF)	B	32.4/14.2
Q23	1510001100	S.TRA 2SA1832-GR (TE85RF)	B	28.1/17.0
Q24	1510001100	S.TRA 2SA1832-GR (TE85RF)	B	40.8/28.5
Q25	1560001730	S.FET RUE002N02 TL	B	35.8/29.7
Q31	1510001100	S.TRA 2SA1832-GR (TE85RF)	T	14.7/13.5
Q32	1510001100	S.TRA 2SA1832-GR (TE85RF)	T	13.4/18.5
Q33	1590004070	S.TRA LDTC144EET1G	T	17.2/7.4
Q34	1590004070	S.TRA LDTC144EET1G	T	14.8/15.5
D1	1750001810	S.DIO L1SS400T1G	T	6.1/104.9
D2	1750002220	S.DIO DA6J101KOR	T	3.4/16.6
D4	1750001810	S.DIO L1SS400T1G	[#23] T	3.9/12.1
	1750001810	S.DIO L1SS400T1G	[#24]	
D5	1750001810	S.DIO L1SS400T1G	T	13.0/98.5
D6	1750001810	S.DIO L1SS400T1G	[#14] B	11.2/56.2
	1750001810	S.DIO L1SS400T1G	[#24]	
D7	1750001970	S.ZEN DZ2J082M0L	B	29.4/73.2
D8	1750001810	S.DIO L1SS400T1G	B	32.5/72.5
D16	1750001810	S.DIO L1SS400T1G	[#13] B	13.2/6.8
	1750001810	S.DIO L1SS400T1G	[#14]	
D17	1750001810	S.DIO L1SS400T1G	[#13] B	17.5/12.6
	1750001810	S.DIO L1SS400T1G	[#14]	
D18	1750001790	S.DIO 1SS390 TE61	B	40.7/57.6
D34	1750001810	S.DIO L1SS400T1G	B	26.3/36.4
D35	1750001810	S.DIO L1SS400T1G	B	45.0/44.6
D46	1750001810	S.DIO L1SS400T1G	[#13] T	17.8/12.6
	1750001810	S.DIO L1SS400T1G	[#14]	
D47	1750001810	S.DIO L1SS400T1G	B	32.5/17.4
D48	1750001810	S.DIO L1SS400T1G	B	36.0/28.1
X1	6050013790	S.XTA CR-981 (19.6608 MHz)	B	39.7/53.9
R3	7030015910	S.RES RMC1/16S-101JTH (100)	[#13] B	33.6/8.2
	7030015910	S.RES RMC1/16S-101JTH (100)	[#14]	
R5	7030016020	S.RES RMC1/16S-104JTH (100 k)	B	23.5/70.8
R16	7030016020	S.RES RMC1/16S-104JTH (100 k)	B	22.6/70.8
R17	7030015970	S.RES RMC1/16S-103JTH (10 k)	B	26.9/73.2
R18	7030015970	S.RES RMC1/16S-103JTH (10 k)	B	28.3/71.6
R25	7030016160	S.RES RMC1/16S-820JTH (82)	T	11.0/35.2
R26	7030016160	S.RES RMC1/16S-820JTH (82)	T	22.0/35.2
R28	7030016560	S.RES RMC1/16SJPTH	[#13] B	31.8/8.2
	7030016560	S.RES RMC1/16SJPTH	[#14]	
R60	7030016340	S.RES RMC1/16S-393JTH (39 k)	[#13] B	22.0/8.4
	7030016340	S.RES RMC1/16S-393JTH (39 k)	[#14]	
R61	7030016110	S.RES RMC1/16S-473JTH (47 k)	[#13] B	13.3/8.8
	7030016110	S.RES RMC1/16S-473JTH (47 k)	[#14]	
R62	7030016020	S.RES RMC1/16S-104JTH (100 k)	[#13] B	12.2/8.4
	7030016020	S.RES RMC1/16S-104JTH (100 k)	[#14]	
R63	7030016330	S.RES RMC1/16S-153JTH (15 k)	[#13] B	11.0/2.3
	7030016330	S.RES RMC1/16S-153JTH (15 k)	[#14]	
R64	7030015960	S.RES RMC1/16S-472JTH (4.7 k)	[#13] B	4.5/9.2
	7030015960	S.RES RMC1/16S-472JTH (4.7 k)	[#14]	
R65	7030016040	S.RES RMC1/16S-224JTH (220 k)	[#13] B	9.2/6.6
	7030016040	S.RES RMC1/16S-224JTH (220 k)	[#14]	
R66	7030016040	S.RES RMC1/16S-224JTH (220 k)	[#13] B	9.2/5.7
	7030016040	S.RES RMC1/16S-224JTH (220 k)	[#14]	
R67	7030015970	S.RES RMC1/16S-103JTH (10 k)	[#13] B	5.9/10.2
	7030015970	S.RES RMC1/16S-103JTH (10 k)	[#14]	
R68	7030016200	S.RES RMC1/16S-274JTH (270 k)	[#13] B	5.9/11.8
	7030016200	S.RES RMC1/16S-274JTH (270 k)	[#14]	

Eqv.= This component is equivalent to the REF No. component listed above, and may be substituted on parts orders and repairs.

[LOGIC-1 UNIT] (for #13, #14, #23, and #24)

REF NO.	PART NO.	DESCRIPTION	M.	H/V LOCATION
R69	7030016360	S.RES RMC1/16S-123JTH (12 k)	[#13] B	2.8/14.3
	7030016360	S.RES RMC1/16S-123JTH (12 k)	[#14]	
R72	7030015960	S.RES RMC1/16S-472JTH (4.7 k)	[#13] B	9.9/15.3
	7030015960	S.RES RMC1/16S-472JTH (4.7 k)	[#14]	
R73	7030015960	S.RES RMC1/16S-472JTH (4.7 k)	[#13] B	21.7/24.9
	7030015960	S.RES RMC1/16S-472JTH (4.7 k)	[#14]	
R74	7030016040	S.RES RMC1/16S-224JTH (220 k)	[#13] B	21.7/24.0
	7030016040	S.RES RMC1/16S-224JTH (220 k)	[#14]	
R75	7030016110	S.RES RMC1/16S-473JTH (47 k)	[#13] B	23.7/24.0
	7030016110	S.RES RMC1/16S-473JTH (47 k)	[#14]	
R76	7030016110	S.RES RMC1/16S-473JTH (47 k)	[#13] B	22.7/26.4
	7030016110	S.RES RMC1/16S-473JTH (47 k)	[#14]	
R77	7030016040	S.RES RMC1/16S-224JTH (220 k)	[#13] B	24.8/25.0
	7030016040	S.RES RMC1/16S-224JTH (220 k)	[#14]	
R78	7030015960	S.RES RMC1/16S-472JTH (4.7 k)	[#13] B	26.5/25.5
	7030015960	S.RES RMC1/16S-472JTH (4.7 k)	[#14]	
R79	7030016120	S.RES RMC1/16S-682JTH (6.8 k)	[#13] B	24.8/13.4
	7030016120	S.RES RMC1/16S-682JTH (6.8 k)	[#14]	
R80	7030016030	S.RES RMC1/16S-154JTH (150 k)	[#13] B	26.0/15.4
	7030016030	S.RES RMC1/16S-154JTH (150 k)	[#14]	
R81	7030016290	S.RES RMC1/16S-222JTH (2.2 k)	[#13] B	23.9/15.0
	7030016290	S.RES RMC1/16S-222JTH (2.2 k)	[#14]	
R82	7030015960	S.RES RMC1/16S-472JTH (4.7 k)	[#13] B	26.4/13.3
	7030015960	S.RES RMC1/16S-472JTH (4.7 k)	[#14]	
R83	7030016040	S.RES RMC1/16S-224JTH (220 k)	[#13] B	22.4/15.3
	7030016040	S.RES RMC1/16S-224JTH (220 k)	[#14]	
R84	7030015960	S.RES RMC1/16S-472JTH (4.7 k)	[#13] B	16.6/18.5
	7030015960	S.RES RMC1/16S-472JTH (4.7 k)	[#14]	
R85	7030016360	S.RES RMC1/16S-123JTH (12 k)	[#13] B	14.4/21.3
	7030016360	S.RES RMC1/16S-123JTH (12 k)	[#14]	
R86	7030016560	S.RES RMC1/16SJPTH	[#13] B	15.3/21.3
	7030016560	S.RES RMC1/16SJPTH	[#14]	
R88	7030016000	S.RES RMC1/16S-823JTH (82 k)	[#13] B	18.2/23.5
	7030016000	S.RES RMC1/16S-823JTH (82 k)	[#14]	
R91	7030016100	S.RES RMC1/16S-334JTH (330 k)	[#13] B	23.0/10.4
	7030016100	S.RES RMC1/16S-334JTH (330 k)	[#14]	
R93	7030016070	S.RES RMC1/16S-474JTH (470 k)	[#13] B	21.5/14.4
	7030016070	S.RES RMC1/16S-474JTH (470 k)	[#14]	
R94	7030016450	S.RES RMC1/16S-824JTH (820 k)	[#13] B	23.0/13.7
	7030016450	S.RES RMC1/16S-824JTH (820 k)	[#14]	
R95	7030016090	S.RES RMC1/16S-223JTH (22 k)	[#13] B	19.2/13.0
	7030016090	S.RES RMC1/16S-223JTH (22 k)	[#14]	
R112	7030016320	S.RES RMC1/16S-225JTH (2.2 M)	[#13] B	16.7/11.0
	7030016320	S.RES RMC1/16S-225JTH (2.2 M)	[#14]	
R145	7030016060	S.RES RMC1/16S-105JTH (1 M)	T	2.2/13.8
R146	7030016060	S.RES RMC1/16S-105JTH (1 M)	T	2.7/14.8
R147	7030016060	S.RES RMC1/16S-105JTH (1 M)	T	5.6/13.8
R148	7030016060	S.RES RMC1/16S-105JTH (1 M)	T	4.1/9.3
R151	7510001661	S.THR NTCG16 4LH 473JT	T	34.8/24.7
R152	7030008270	S.RES R0510P-104-D (100 k)	T	36.8/25.5
R558	7030016360	S.RES RMC1/16S-123JTH (12 k)	[#13] B	21.5/9.8
	7030016360	S.RES RMC1/16S-123JTH (12 k)	[#14]	
R595	7030015520	S.RES RMC1/16JPTH	B	28.0/32.2
R566	7030015900	S.RES RMC1/16S-470JTH (47 k)	[#13] B	19.2/88.3
	7030015900	S.RES RMC1/16S-470JTH (47 k)	[#14]	
R857	7030016560	S.RES RMC1/16SJPTH	[#13] B	18.8/85.4
	7030016560	S.RES RMC1/16SJPTH	[#14]	
R858	7030016560	S.RES RMC1/16SJPTH	[#13] B	21.5/79.2
	7030016560	S.RES RMC1/16SJPTH	[#14]	
R859	7030016560	S.RES RMC1/16SJPTH	[#13] B	28.7/86.5
	7030016560	S.RES RMC1/16SJPTH	[#14]	
R860	7030016020	S.RES RMC1/16S-104JTH (100 k)	[#13] B	28.7/87.4
	7030016020	S.RES RMC1/16S-104JTH (100 k)	[#14]	
R861	7030016020	S.RES RMC1/16S-104JTH (100 k)	[#13] B	29.7/97.1
	7030016020	S.RES RMC1/16S-104JTH (100 k)	[#14]	
R862	7030016560	S.RES RMC1/16SJPTH	[#13] B	28.9/98.0
	7030016560	S.RES RMC1/16SJPTH	[#14]	
R863	7030016560	S.RES RMC1/16SJPTH	[#13] T	22.8/16.1
	7030016560	S.RES RMC1/16SJPTH	[#14]	
R864	7030016110	S.RES RMC1/16S-473JTH (47 k)	[#13] B	40.1/16.4
	7030016110	S.RES RMC1/16S-473JTH (47 k)	[#14]	
R865	7030016110	S.RES RMC1/16S-473JTH (47 k)	[#13] B	38.5/15.3
	7030016110	S.RES RMC1/16S-473JTH (47 k)	[#14]	
R866	7030016020	S.RES RMC1/16S-104JTH (100 k)	[#13] T	21.9/17.9

[LOGIC-1 UNIT] (for #13, #14, #23, and #24)

Table with 6 columns: REF NO., PART NO., DESCRIPTION, M., H/V LOCATION. Rows include components like MCR006YZPJ 101 (100) through R1027.

[LOGIC-1 UNIT] (for #13, #14, #23, and #24)

Table with 6 columns: REF NO., PART NO., DESCRIPTION, M., H/V LOCATION. Rows include components like MCR006YZPJ 100 (10) through R1098, and C1 through C104.

Eqv.= This component is equivalent to the REF No. component listed above, and may be substituted on parts orders and repairs.

M.= Mounted side (T: Mounted on the Top side, B: Mounted on the Bottom side) H/V LOCATION= See the BOARD LAYOUTS for details

[LOGIC-1 UNIT] (for #13, #14, #23, and #24)

REF NO.	PART NO.	DESCRIPTION	M.	H/V LOCATION
C105	4030019560	S.CER GRM21BB31C106KE15L	[#13] B	21.3/31.5
C106	4030019560	S.CER GRM21BB31C106KE15L	[#13] B	21.3/29.7
C107	4030022940	S.CER 0402B104K100CT	[#13] B	26.5/24.6
C108	4030023090	S.CER 0402B102K500CT	[#13] B	24.8/15.0
C109	4030023090	S.CER 0402B102K500CT	[#13] B	26.0/14.5
C111	4550007300	S.TAN F931A335MAABMA	[#13] B	14.4/24.7
C112	4550008210	S.TAN 267M3502 104MR	[#13] B	20.3/20.1
C113	4550008210	S.TAN 267M3502 104MR	[#13] B	18.2/20.1
C114	4550008210	S.TAN 267M3502 104MR	[#13] B	8.0/2.0
C115	4550008210	S.TAN 267M3502 104MR	[#13] B	8.0/4.1
C116	4030023090	S.CER 0402B102K500CT	[#13] B	11.2/15.0
C121	4030023030	S.CER 0402B103K250CT	[#13] B	23.0/12.0
C122	4030019560	S.CER GRM21BB31C106KE15L	[#13] B	18.8/11.0
C123	4030023090	S.CER 0402B102K500CT	[#13] B	24.6/31.5
C125	4550007520	S.TAN F931A106MAABMA	[#13] B	4.4/12.2
C155	4030023090	S.CER 0402B102K500CT	[#14] T	11.8/2.4
C156	4030023090	S.CER 0402B102K500CT	[#14] T	13.5/10.5
C157	4030023090	S.CER 0402B102K500CT	[#14] T	13.7/4.0
C158	4030023090	S.CER 0402B102K500CT	[#14] T	14.1/8.9
C159	4030023090	S.CER 0402B102K500CT	[#14] T	9.9/2.4
C161	4030023090	S.CER 0402B102K500CT	[#14] T	35.9/25.5
C600	4030023030	S.CER 0402B103K250CT	[#13] B	21.5/10.8
C629	4030023010	S.CER 0402B104K160CT	[#13] B	24.8/26.6
C630	4030022640	S.CER 0402N101J500CT	[#13] B	19.3/90.9
C631	4050000380	S.FEE NFM15PC104R1A3D	[#13] B	18.2/89.2
C632	4050000380	S.FEE NFM15PC104R1A3D	[#13] B	33.6/94.1
C633	4030019560	S.CER GRM21BB31C106KE15L	[#13] B	33.7/92.4
C634	4030023090	S.CER 0402B102K500CT	[#13] B	32.6/94.0
C637	4030023090	S.CER 0402B102K500CT	[#13] B	28.7/88.4
C638	4030023090	S.CER 0402B102K500CT	[#13] B	19.2/84.1
C639	4030023090	S.CER 0402B102K500CT	[#13] B	22.5/79.2
C640	4030023090	S.CER 0402B102K500CT	[#13] B	29.9/87.9
C641	4030023090	S.CER 0402B102K500CT	[#13] B	18.3/84.1
C642	4030023090	S.CER 0402B102K500CT	[#13] B	19.6/78.7
C643	4050000380	S.FEE NFM15PC104R1A3D	[#13] T	20.1/13.2
C645	4030021240	S.CER C1005 JB 1C 105K-T	[#13] B	36.3/10.2
C648	4030022540	S.CER 0402N3R0B500CT	[#13] T	25.0/16.5
C649	4030022540	S.CER 0402N3R0B500CT	[#13] T	23.6/18.8
C650	4030023010	S.CER 0402B104K160CT	[#13] B	40.4/5.5
C651	4030019560	S.CER GRM21BB31C106KE15L	[#13] B	36.7/7.1
C652	4030022640	S.CER 0402N101J500CT	[#13] B	39.0/3.3
C653	4030023010	S.CER 0402B104K160CT	[#13] B	42.2/5.1
C654	4030023090	S.CER 0402B102K500CT	[#14] B	41.3/89.6
C655	4030023090	S.CER 0402B102K500CT	[#14] B	39.3/89.6
C656	4030023090	S.CER 0402B102K500CT	[#14] B	38.3/89.7
C657	4030023090	S.CER 0402B102K500CT	[#14] B	42.3/89.6
C659	4030023010	S.CER 0402B104K160CT	[#14] B	28.6/10.3
C660	4030023010	S.CER 0402B104K160CT	[#14] B	34.2/30.5
C661	4030019560	S.CER GRM21BB31C106KE15L	[#14] B	43.4/44.6
C662	4030021520	S.CER GRM31CB31H106KA12L	[#14] T	31.4/24.4
C663	4030021520	S.CER GRM31CB31H106KA12L	[#14] T	32.4/28.2
C664	4030021520	S.CER GRM31CB31H106KA12L	[#14] T	32.4/30.4
C666	4030023010	S.CER 0402B104K160CT	[#14] T	33.3/22.3
C667	4030023010	S.CER 0402B104K160CT	[#14] T	33.7/23.8
C669	4030022630	S.CER 0402N100C500CT	[#14] B	37.1/54.5
C670	4030022520	S.CER 0402N1R0B500CT	[#14] B	42.0/53.9
C671	4030022640	S.CER 0402N101J500CT	[#14] B	42.1/56.8
C672	4030023010	S.CER 0402B104K160CT	[#14] B	39.3/58.5
C674	4030023030	S.CER 0402B103K250CT	[#14] B	26.9/68.8
C677	4030022940	S.CER 0402B104K100CT	[#14] B	27.5/43.2
C678	4030023090	S.CER 0402B102K500CT	[#14] B	31.5/41.9
C679	4030023090	S.CER 0402B102K500CT	[#14] B	37.1/56.1
C680	4030023090	S.CER 0402B102K500CT	[#14] B	36.2/56.2
C681	4030022940	S.CER 0402B104K100CT	[#14] B	35.3/56.2
C682	4030023000	S.CER 0402B683K100CT	[#14] B	22.8/65.8
C683	4030022940	S.CER 0402B104K100CT	[#14] B	24.1/68.2
C684	4030023010	S.CER 0402B104K160CT	[#14] B	36.2/54.5
C687	4030023010	S.CER 0402B104K160CT	[#14] B	25.2/36.6
C688	4030019560	S.CER GRM21BB31C106KE15L	[#14] B	23.8/36.4
C689	4030023090	S.CER 0402B102K500CT	[#14] B	29.0/27.2

[LOGIC-1 UNIT] (for #13, #14, #23, and #24)

REF NO.	PART NO.	DESCRIPTION	M.	H/V LOCATION
C693	4030022940	S.CER 0402B104K100CT	[#13] T	16.4/15.5
C694	4030023090	S.CER 0402B102K500CT	[#13] B	18.8/82.1
C695	4030023010	S.CER 0402B104K160CT	[#14] T	18.8/7.4
C696	4030023010	S.CER 0402B104K160CT	[#14] T	15.9/11.4
C698	4030023010	S.CER 0402B104K160CT	[#14] B	39.9/47.0
C699	4030023010	S.CER 0402B104K160CT	[#14] B	43.2/42.2
C700	4030023090	S.CER 0402B102K500CT	[#14] B	44.2/42.2
C701	4030023090	S.CER 0402B102K500CT	[#14] B	25.7/33.6
C703	4030023000	S.CER 0402B683K100CT	[#13] T	21.7/11.2
C704	4030023090	S.CER 0402B102K500CT	[#13] T	22.8/17.0
C705	4030023090	S.CER 0402B102K500CT	[#13] T	24.9/13.7
C708	4030023090	S.CER 0402B102K500CT	[#14] T	26.6/20.9
C709	4030021240	S.CER C1005 JB 1C 105K-T	[#13] B	36.3/4.4
C711	4030023090	S.CER 0402B102K500CT	[#14] B	39.1/33.8
C712	4030022920	S.CER 0402N820J500CT	[#14] B	31.2/45.6
C713	4030022920	S.CER 0402N820J500CT	[#14] B	24.5/42.4
C714	4030020000	S.CER C1005 JB 1A 105K-T	[#14] B	31.3/65.3
C715	4030023820	S.CER 0603B104K250CT	[#14] B	26.7/63.6
C716	4030023210	S.CER 0402B472K500CT	[#14] B	34.1/64.8
C717	4030023210	S.CER 0402B472K500CT	[#14] B	26.9/58.1
C718	4030023210	S.CER 0402B472K500CT	[#14] B	31.5/27.6
C719	4030023210	S.CER 0402B472K500CT	[#14] B	40.0/18.9
C720	4550008210	S.TAN 267M3502 104MR	[#13] B	5.8/15.6
C721	4550008210	S.TAN 267M3502 104MR	[#14] B	9.1/20.4
C722	4030021240	S.CER C1005 JB 1C 105K-T	[#13] B	34.5/15.4
C723	4030021240	S.CER C1005 JB 1C 105K-T	[#14] B	26.5/72.0
C724	4030023090	S.CER 0402B102K500CT	[#14] B	35.9/58.6
C725	4030023090	S.CER 0402B102K500CT	[#14] T	37.7/21.4
C727	4030023090	S.CER 0402B102K500CT	[#14] B	43.9/57.2
C730	4030023090	S.CER 0402B102K500CT	[#14] B	21.5/55.5
J1	6510030220	S.CON 50RF-JMCS-G	[#13] B	35.5/23.0
J2	6510031390	S.CON 15FXVL-RSM1-GAN-TF-1 (HF)	[#13] T	9.4/7.9
J3	6510023480	S.CON AYU1-1P-02676-120-TF	[#13] B	23.2/96.1
J4	6510023480	S.CON AYU1-1P-02676-120-TF	[#14] T	24.4/24.8
DS2	5040003550	S.LED NSSW208T	[#13] T	13.8/35.5
DS3	5040003550	S.LED NSSW208T	[#13] T	24.8/35.5
DS4	5040003550	S.LED NSSW208T	[#13] T	35.8/35.5
DS5	5030004360	LCD TM128160D1CIWUGND	[#13] T	
S23	2260003320	S.SWI SKRTLAE010	[#13] B	2.1/83.2
S24	2260003320	S.SWI SKRTLAE010	[#13] B	2.1/44.4
S25	2260003320	S.SWI SKRTLAE010	[#13] B	2.1/34.4
EP3	6910023920	S.BEA BLM15GA750SN1D	[#13] B	38.5/16.4
EP4	6910023920	S.BEA BLM15GA750SN1D	[#13] B	36.9/15.3
EP9	6910020610	S.BEA BLM15BD102SN1D	[#13] B	18.4/90.9
EP10	6910020610	S.BEA BLM15BD102SN1D	[#13] T	34.7/22.6
EP11	6910020610	S.BEA BLM15BD102SN1D	[#13] T	30.8/20.7
EP12	6910020610	S.BEA BLM15BD102SN1D	[#13] T	25.0/21.2
EP13	6910020610	S.BEA BLM15BD102SN1D	[#13] T	17.7/28.7
EP14	6910020610	S.BEA BLM15BD102SN1D	[#13] T	23.2/21.2
EP16	6910020610	S.BEA BLM15BD102SN1D	[#13] T	17.7/27.8
EP19	6910020610	S.BEA BLM15BD102SN1D	[#13] T	22.3/21.2

Eqv.= This component is equivalent to the REF No. component listed above, and may be substituted on parts orders and repairs.

M.= Mounted side (T: Mounted on the Top side, B: Mounted on the Bottom side)
H/V LOCATION= See the BOARD LAYOUTS for details

[MAIN-1 UNIT] (for #13, #14, #23, and #24)

REF NO.	PART NO.	DESCRIPTION	M.	H/V LOCATION
C537	4030023010	S.CER 0402B104K160CT	T	30.5/33.8
C538	4520000020	S.NIO NOJC227M006RWJV	T	30.3/24.2
C539	4030023090	S.CER 0402B102K500CT	B	41.3/96.4
C541	4030021240	S.CER C1005 JB 1C 105K-T	B	34.8/27.6
C542	4030023010	S.CER 0402B104K160CT	B	34.5/23.2
C543	4030023090	S.CER 0402B102K500CT	T	15.9/9.5
C544	4030023090	S.CER 0402B102K500CT	T	13.0/6.6
C548	4030022930	S.CER 0402N821J500CT	B	8.0/35.4
C549	4030020170	S.CER C1608 CH 1H 472J-T	B	5.6/31.1
C550	4030022710	S.CER 0402N181J500CT	B	8.7/33.2
C551	4030018620	S.CER C1608 CH 1H 222J-T	B	6.0/28.1
C552	4030022690	S.CER 0402N151J500CT	B	9.0/28.0
C553	4030019570	S.CER C1608 CH 1H 332J-T	B	5.6/19.4
C554	4030022880	S.CER 0402N560J500CT	B	8.0/23.4
C555	4030020160	S.CER C1608 CH 1H 103J-T	B	5.5/14.7
C556	4030022630	S.CER 0402N100C500CT	B	7.6/18.5
C557	4030022930	S.CER 0402N821J500CT	B	11.4/35.3
C558	4030022930	S.CER 0402N821J500CT	B	13.0/31.7
C559	4030022690	S.CER 0402N151J500CT	B	10.5/33.2
C560	4030020170	S.CER C1608 CH 1H 472J-T	B	13.7/27.4
C561	4030022870	S.CER 0402N471J500CT	B	11.2/28.3
C562	4030020940	S.CER C1608 CH 1H 392J-T	B	14.1/22.1
C563	4030022640	S.CER 0402N101J500CT	B	12.1/23.2
C564	4030020160	S.CER C1608 CH 1H 103J-T	B	14.1/19.1
C565	4030022680	S.CER 0402N150J500CT	B	9.3/18.3
C566	4030021240	S.CER C1005 JB 1C 105K-T	T	41.5/35.4
C567	4030021240	S.CER C1005 JB 1C 105K-T	T	41.9/36.8
C568	4030021240	S.CER C1005 JB 1C 105K-T	T	40.9/25.9
C569	4030023010	S.CER 0402B104K160CT	T	42.6/26.5
C570	4030023010	S.CER 0402B104K160CT	T	39.6/26.3
C571	4030019560	S.CER GRM21BB31C106KE15L	T	35.0/37.1
C572	4030019560	S.CER GRM21BB31C106KE15L	T	37.6/34.9
C573	4030023090	S.CER 0402B102K500CT	T	9.1/21.3
C574	4030022900	S.CER 0402N680J500CT	B	27.5/10.2
C577	4030021520	S.CER GRM31CB31H106KA12L	B	21.7/9.3
C579	4030021520	S.CER GRM31CB31H106KA12L	B	23.8/9.3
C580	4030021520	S.CER GRM31CB31H106KA12L	B	34.9/6.7
C585	4030023010	S.CER 0402B104K160CT	B	25.4/9.5
C586	4030023030	S.CER 0402B103K250CT	B	26.3/9.5
C587	4030022870	S.CER 0402N471J500CT	B	40.4/23.7
C588	4030022860	S.CER 0402N470J500CT	B	41.6/21.9
C589	4030021240	S.CER C1005 JB 1C 105K-T	B	39.1/22.5
C590	4030023090	S.CER 0402B102K500CT	B	35.2/87.5
C591	4030022640	S.CER 0402N101J500CT	B	36.9/88.1
C592	4030022640	S.CER 0402N101J500CT	B	40.1/96.7
C593	4030023090	S.CER 0402B102K500CT	B	41.5/94.8
C596	4030023090	S.CER 0402B102K500CT	T	11.7/10.7
C597	4030023010	S.CER 0402B104K160CT	B	26.6/26.3
C598	4030021240	S.CER C1005 JB 1C 105K-T	B	25.7/26.3
C599	4030023090	S.CER 0402B102K500CT	T	23.4/118.8
C602	4030023090	S.CER 0402B102K500CT	T	21.2/120.6
C605	4030022640	S.CER 0402N101J500CT	T	28.2/123.0
C608	4030019560	S.CER GRM21BB31C106KE15L	B	21.2/29.9
C610	4030023090	S.CER 0402B102K500CT	T	23.0/97.1
C612	4030019560	S.CER GRM21BB31C106KE15L	T	27.8/91.6
C613	4030023090	S.CER 0402B102K500CT	T	22.1/100.3
C614	4030023010	S.CER 0402B104K160CT	T	25.7/92.4
C615	4030023010	S.CER 0402B104K160CT	T	23.9/97.1
C616	4030023090	S.CER 0402B102K500CT	T	24.8/92.4
C622	4030023060	S.CER 0402B183K250CT	T	46.7/42.3
C623	4030023060	S.CER 0402B183K250CT	T	46.7/40.7
C624	4030023010	S.CER 0402B104K160CT	T	46.6/38.4
C627	4030023010	S.CER 0402B104K160CT	B	10.8/9.2
C628	4030023010	S.CER 0402B104K160CT	B	13.9/5.3
C629	4050000340	S.FEE NFM21PC224R1C3D	B	32.9/6.7
C631	4030022590	S.CER 0402N8R0C500CT	B	10.2/18.3
C632	4030022720	S.CER 0402N1R5B500CT	B	7.6/17.6
C633	4030023010	S.CER 0402B104K160CT	B	11.1/18.7
C634	4030023010	S.CER 0402B104K160CT	B	13.0/24.2
C635	4030023010	S.CER 0402B104K160CT	B	12.1/28.8
C636	4030023010	S.CER 0402B104K160CT	B	13.1/15.0
C637	4030023010	S.CER 0402B104K160CT	B	12.2/13.7
C638	4030023010	S.CER 0402B104K160CT	B	25.5/57.0
C639	4030023090	S.CER 0402B102K500CT	B	40.6/108.4
C640	4030023090	S.CER 0402B102K500CT	B	45.6/104.3
C641	4030023010	S.CER 0402B104K160CT	T	43.6/46.2
C642	4030023010	S.CER 0402B104K160CT	T	47.9/39.2
C643	4030023010	S.CER 0402B104K160CT	T	41.7/43.5
C644	4030023200	S.CER 0402B471K500CT	T	48.0/41.1
C645	4030023010	S.CER 0402B104K160CT	T	42.1/50.2
C646	4030019560	S.CER GRM21BB31C106KE15L	T	32.8/91.3
C647	4030023010	S.CER 0402B104K160CT	T	28.1/89.8
C648	4030023090	S.CER 0402B102K500CT	B	12.2/60.3
C649	4030023090	S.CER 0402B102K500CT	B	10.2/61.7
C650	4030023010	S.CER 0402B104K160CT	T	19.8/15.8
C651	4030023010	S.CER 0402B104K160CT	T	13.8/21.2
C652	4030023010	S.CER 0402B104K160CT	T	11.7/15.2
C653	4030021240	S.CER C1005 JB 1C 105K-T	T	22.0/97.1
C656	4030023090	S.CER 0402B102K500CT	T	15.6/7.8
C660	4030023090	S.CER 0402B102K500CT	B	6.6/67.2
C661	4030023010	S.CER 0402B104K160CT	T	40.6/46.4
C662	4030023010	S.CER 0402B104K160CT	T	41.2/44.9
C663	4030023010	S.CER 0402B104K160CT	T	33.2/85.4
C664	4030023010	S.CER 0402B104K160CT	B	36.5/41.7
C665	4030023070	S.CER 0402B223K250CT	B	20.7/75.2
C666	4030023010	S.CER 0402B104K160CT	T	34.3/22.5
C667	4030023090	S.CER 0402B102K500CT	B	14.0/15.0
C668	4030023090	S.CER 0402B102K500CT	B	12.0/18.7
C669	4030023090	S.CER 0402B102K500CT	B	13.9/24.2
C670	4030023090	S.CER 0402B102K500CT	B	13.0/29.4
C671	4030022640	S.CER 0402N101J500CT	B	6.0/21.5
C672	4030022640	S.CER 0402N101J500CT	B	6.9/16.1
C673	4030023090	S.CER 0402B102K500CT	T	42.4/45.6
C674	4030023090	S.CER 0402B102K500CT	T	16.1/22.4
C675	4030023090	S.CER 0402B102K500CT	T	6.5/15.7

Eqv.= This component is equivalent to the REF No. component listed above, and may be substituted on parts orders and repairs.

[MAIN-1 UNIT] (for #13, #14, #23, and #24)

REF NO.	PART NO.	DESCRIPTION	M.	H/V LOCATION
C676	4030023090	S.CER 0402B102K500CT	T	19.3/79.5
C677	4030019560	S.CER GRM21BB31C106KE15L	B	24.5/68.6
C680	4030023010	S.CER 0402B104K160CT	T	32.7/86.6
C681	4030023010	S.CER 0402B104K160CT	T	35.2/81.9
C682	4030023010	S.CER 0402B104K160CT	T	30.1/71.4
C683	4030023090	S.CER 0402B102K500CT	B	43.1/94.4
C684	4030023090	S.CER 0402B102K500CT	B	38.9/95.7
C694	4030023090	S.CER 0402B102K500CT	T	36.7/58.4
C704	4030023090	S.CER 0402B102K500CT	T	40.1/58.6
C706	4030023090	S.CER 0402B102K500CT	T	38.3/58.6
C712	4030023820	S.CER 0603B104K250CT	T	7.1/19.1
C713	4550008850	S.TAN F931C227MNC	T	25.8/29.5
C715	4030023010	S.CER 0402B104K160CT	T	47.2/43.6
J1	6450000870	CON HEC2711-01-020		
J2	6450000131	CON HSJ1102-018540		
J4	6510021901	S.CON BM02B-ASRS-TF (LF) (SN)	T	13.0/4.0
J5	6450001060	CON HSJ1493-01-010		
J6	6510031230	S.CON 50P4.5-JMCS-G-TF (N) (1)	T	35.7/54.3
MC1	7700003060	MIC F6027AP-SBC-462		
S1	2260003640	SWI SKHLLCA010		
EP3	6910014640	S.BEA MPZ2012S221A-T	T	39.3/14.4
EP4	6910014640	S.BEA MPZ2012S221A-T	T	19.5/121.0
EP5	6910014730	S.BEA MPZ2012S331A-T	T	37.0/102.8
EP6	6910014730	S.BEA MPZ2012S331A-T	B	40.2/110.9
EP7	6910014730	S.BEA MPZ2012S331A-T	B	41.8/106.3
EP10	6910014730	S.BEA MPZ2012S331A-T	T	13.9/8.6
EP11	6910014730	S.BEA MPZ2012S331A-T	B	39.7/103.7
EP13	6910020610	S.BEA BLM15BD102SN1D	T	15.7/47.5
EP14	6910020610	S.BEA BLM15BD102SN1D	T	12.5/47.7
EP15	6910014640	S.BEA MPZ2012S221A-T	T	39.7/18.6
EP16	6910014640	S.BEA MPZ2012S221A-T	T	18.5/89.0
EP18	6910020610	S.BEA BLM15BD102SN1D	T	27.7/56.8
EP19	6910020610	S.BEA BLM15BD102SN1D	T	23.5/54.5
EP20	6910020610	S.BEA BLM15BD102SN1D	T	26.6/42.9
EP21	6910020610	S.BEA BLM15BD102SN1D	T	32.6/34.2
EP23	6910014730	S.BEA MPZ2012S331A-T	T	12.2/8.6
EP24	6910014730	S.BEA MPZ2012S331A-T	B	42.4/92.3
EP25	6910020610	S.BEA BLM15BD102SN1D	B	36.5/87.2
EP26	6910020610	S.BEA BLM15BD102SN1D	B	40.1/95.7
EP28	6910020610	S.BEA BLM15BD102SN1D	T	26.9/110.8
EP29	6910014640	S.BEA MPZ2012S221A-T	T	30.3/110.0
EP30	6910014640	S.BEA MPZ2012S221A-T	B	34.9/10.9
EP31	6910020610	S.BEA BLM15BD102SN1D	T	19.5/111.2

M.= Mounted side (T: Mounted on the Top side, B: Mounted on the Bottom side)
H/V LOCATION= See the BOARD LAYOUTS for details

SECTION 6

MECHANICAL PARTS

[CHASSIS PARTS]

REF NO.	PART NO.	DESCRIPTION	QTY.
J1	6510027690	BNC-R170 (A)	1
SP1	2510002150	C36N07M-7	1
W1	8900009640	OPC-963	1
EP1	3310005090	GNBA-A13A	[#11] 1
	3310005090	GNBA-A13A	[#12] 1
	3310005090	GNBA-A13A	[#13] 1
	3310005090	GNBA-A13A	[#14] 1
EP2	8940000080	3699 KEY P.C.B.	1
MP1	8010024120	3699 CHASSIS	1
MP2	8210032970	3699 FRONT PANEL ASSEMBLY	[#11] 1
	8210032970	3699 FRONT PANEL ASSEMBLY	[#12] 1
	8210032970	3699 FRONT PANEL ASSEMBLY	[#13] 1
	8210032970	3699 FRONT PANEL ASSEMBLY	[#14] 1
	8210032960	3699 FRONT PANEL (A) ASSEMBLY	[#21] 1
	8210032960	3699 FRONT PANEL (A) ASSEMBLY	[#22] 1
	8210032960	3699 FRONT PANEL (A) ASSEMBLY	[#23] 1
	8210032960	3699 FRONT PANEL (A) ASSEMBLY	[#24] 1
MP5	8310091150	3699 WINDOW PLATE	1
MP6	8610016330	KNOB N-449	1
MP7	8610016340	KNOB N-450	1
MP10	8930096800	3699 JACK CAP (KOB)	1
MP11	8930096810	3699 DC CAP	1
MP12	8930096820	3699 MAIN SEAL (SHJ)	1
MP13	8930096830	3699 MIC RUBBER (TOP)	1
MP14	8930096840	3699 CONTACT RUBBER (TOP)	1
MP15	8930098760	INSULATION SHEET (OP)	[#11] 1
	8930098760	INSULATION SHEET (OP)	[#12] 1
	8930098760	INSULATION SHEET (OP)	[#13] 1
	8930098760	INSULATION SHEET (OP)	[#14] 1
MP16	8930096850	3699 WINDOW SHEET	1
MP18	8930083690	3322 GPS SPONGE	[#11] 1
	8930083690	3322 GPS SPONGE	[#12] 1
	8930083690	3322 GPS SPONGE	[#13] 1
	8930083690	3322 GPS SPONGE	[#14] 1
MP20	8830004260	3776 ANT NUT	1
MP21	8830003900	VR NUT (AF)	1
MP23	8930074350	O-RING (BW) (TOP)	1
MP24	8930088050	O-RING (CS) (TOT)	1
MP25	8930090100	O-RING (CX) (TOT)	1
MP26	8850003421	SEALING WASHER (AA)-1 (TOT)	1
MP27	8930098360	3699 VOL RUBBER (TOP)	1
MP28	8930084870	3384 REAR SHEET	1
MP29	8930088670	3521 VENT SHEET	1
MP30	8930068980	2905 VENT SHEET	1
MP32	8930083700	DOUBLE SIDE TAPE (BM)	[#11] 1
	8930083700	DOUBLE SIDE TAPE (BM)	[#12] 1
	8930083700	DOUBLE SIDE TAPE (BM)	[#13] 1
	8930083700	DOUBLE SIDE TAPE (BM)	[#14] 1
MP34	8810011050	BT O M2x3 NI-ZC3	11
MP35	8810009181	BT M2x5 NI-ZC3	2
MP36	8810009511	PH BT M2x4 NI-ZC3 (3.6-4.0)	1
MP37	8810011050	BT O M2x3 NI-ZC3	6
MP38	8810010850	PH BT B0 M2x8 SUS SSBC	2
MP39	8810011830	TAPPING SCREW B0 2x4 SUS SSBC	1
MP40	8850003250	PLAIN WASHER (AU)	1
MP41	8950009290	3766 T-KEY (B) (YTP)	[#11] 1
	8950009290	3766 T-KEY (B) (YTP)	[#12] 1
	8950009300	3766 T-KEY (C) (YTP)	[#13] 1
	8950009300	3766 T-KEY (C) (YTP)	[#14] 1
	8950009310	3766 T-KEY (D) (YTP)	[#21] 1
	8950009310	3766 T-KEY (D) (YTP)	[#22] 1
	8950009320	3766 T-KEY (E) (YTP)	[#23] 1
	8950009320	3766 T-KEY (E) (YTP)	[#24] 1
MP42	8930097220	3699 SP HOLDER	1
MP43	8930097830	3699 SPONGE	2
MP44	8930098420	SPONGE (PK)	2
MP45	8930098420	SPONGE (PK)	1
MP46	8930098430	SPONGE (PL)	3
MP47	8930098410	SPONGE (PJ)	1
MP48	8930098440	DOUBLE SIDE TAPE (CH)	1
MP49	8930098420	SPONGE (PK)	2

[LOGIC UNIT] (for #11, #12, #21, and #22)

REF NO.	PART NO.	DESCRIPTION	QTY.
J1*	6510030220	50RF-JMCS-G-1B-TF (N) (LF) (SN)	1
J2*	6510031390	15FXVL-RSM1-GAN-TF-1 (HF)	1
J3*	6510023480	AYU1-1P-02676-120-TF	[#11] 1
	6510023480	AYU1-1P-02676-120-TF	[#12] 1
J4*	6510031380	31FXVL-RSM1-GAN-TF-1 (HF)	1
DS5	5030004360	TM128160D1CIWUGND	1
S23*	2260003320	SKRTLAE010	1
S24*	2260003320	SKRTLAE010	1
S25*	2260003320	SKRTLAE010	1
MP1*	8510022120	3699 VCO CASE	[#11] 1
	8510022120	3699 VCO CASE	[#12] 1
MP2	8930096860	3699 WHITE SHEET	1
MP3	8930096870	3699 LCD FILTER	1
MP4	8930094680	DOUBLE SIDE TAPE (CC)	2
MP5	8210032890	3699 REFLECTOR	1
MP6*	8510022280	3699 CPU SHIELD	1
MP7	8930097820	3699 LCD HOLDER	1
MP8	8930083700	DOUBLE SIDE TAPE (BM)	1

[MAIN UNIT] (for #11, #12, #21, and #22)

REF NO.	PART NO.	DESCRIPTION	QTY.
J1*	6450000870	HEC2711-01-020	1
J2*	6450000131	HSJ1102-018540	1
J4*	6510021901	BM02B-ASRS-TF (LF) (SN)	1
J5	6450001060	HSJ1493-01-010	1
J6*	6510031230	50P4.5-JMCS-G-TF (N) (1)	1
MC1*	7700003060	F6027AP-SBC-462	1
S1*	2260003640	SKHLLCA010	1
MP1*	8410003040	3699 PA HEATSINK	1
MP3*	8510022120	3699 VCO CASE	1
MP5	8950009230	3699 CONTACT SPRING	1
MP10	8930097700	3699 JACK SHEET	1
MP11	8510022270	3699 ANT SHIELD	1
MP12	8510022260	3699 PA CASE	1
MP20	8930070581	SHIELD SPONGE (BA)-1	1
MP21	8930085101	SHIELD SPONGE (CW)-1	1
MP22	8930085111	SHIELD SPONGE (CX)-1	1
MP23	8930058510	INSULATION SHEET HC	1
MP24	8930084910	THERMAL SHEET (CB)	2

*: Refer to "BOARD LAYOUTS" for the location.

** : Refer to "GENERAL WIRING" for the connection

Screw abbreviations A, B0, BT: Self-tapping PH: Pan head BS: Brass NI: Nickel ZU: Zinc SUS: Stainless

[LOGIC-1 UNIT] (for #13, #14, #23, and #24)

REF NO.	PART NO.	DESCRIPTION	QTY.
J1*	6510030220	50RF-JMCS-G-1B-TF (N) (LF) (SN)	1
J2*	6510031390	15FXVL-RSM1-GAN-TF-1 (HF)	1
J3*	6510023480	AYU1-1P-02676-120-TF	1
	6510023480	AYU1-1P-02676-120-TF	1
J4*	6510031380	31FXVL-RSM1-GAN-TF-1 (HF)	1
DS5	5030004360	TM128160D1CIWUGND	1
S23*	2260003320	SKRTLAE010	1
S24*	2260003320	SKRTLAE010	1
S25*	2260003320	SKRTLAE010	1
MP1*	8510022120	3699 VCO CASE	1
	8510022120	3699 VCO CASE	1
MP2	8930096860	3699 WHITE SHEET	1
MP3	8930096870	3699 LCD FILTER	1
MP4	8930094680	DOUBLE SIDE TAPE (CC)	2
MP5	8210032890	3699 REFLECTOR	1
MP6*	8510022280	3699 CPU SHIELD	1
MP7	8930097820	3699 LCD HOLDER	1
MP8	8930083700	DOUBLE SIDE TAPE (BM)	1

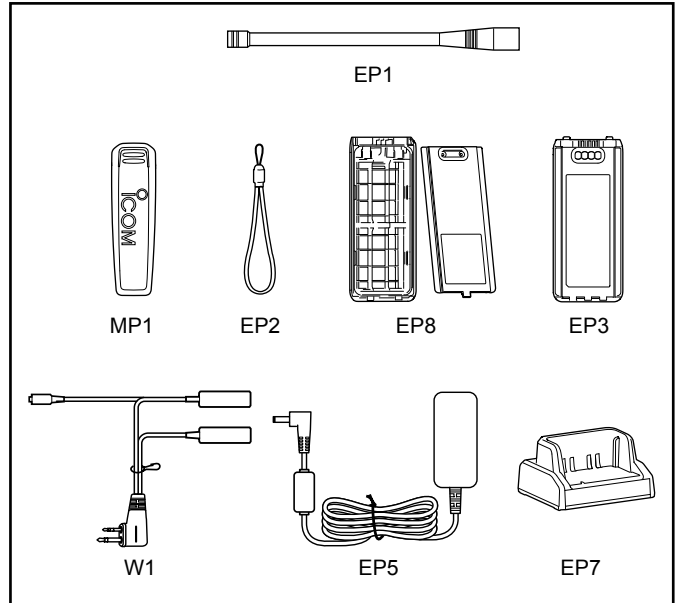
[MAIN-1 UNIT] (for #13, #14, #23, and #24)

REF NO.	PART NO.	DESCRIPTION	QTY.
J1*	6450000870	HEC2711-01-020	1
J2*	6450000131	HSJ1102-018540	1
J4*	6510021901	BM02B-ASRS-TF (LF) (SN)	1
J5	6450001060	HSJ1493-01-010	1
J6*	6510031230	50P4.5-JMCS-G-TF (N) (1)	1
MC1*	7700003060	F6027AP-SBC-462 <TDS>	1
S1*	2260003640	SKHLLCA010	1
MP1*	8410003040	3699 PA HEATSINK	1
MP3*	8510022120	3699 VCO CASE	1
MP5	8950009230	3699 CONTACT SPRING	1
MP10	8930097700	3699 JACK SHEET	1
MP11	8510022270	3699 ANT SHIELD	1
MP12	8510022260	3699 PA CASE	1
MP20	8930070581	SHIELD SPONGE (BA)-1	1
MP21	8930072061	SHIELD SPONGE (BU)-1	1
MP22	8930085111	SHIELD SPONGE (CX)-1	1
MP23	8930058510	INSULATION SHEET HC	1

[ACCESSORIES]

REF NO.	PART NO.	DESCRIPTION	QTY.
W1	-	OPC-2379†	[#11] 1
	-	OPC-2379†	[#13] 1
	-	OPC-2379†	[#14] 1
	-	OPC-2379†	[#21] 1
	-	OPC-2379†	[#23] 1
	-	OPC-2379†	[#24] 1
EP1	3310002130	FA-B02AR (125)	1
EP2	6910018620	BLACK HANDY STRAP	1
EP3	-	BP-288†	1
EP5	-	BC-123SA†	[#11] 1
	-	BC-123SE†	[#12] 1
	-	BC-123SE†	[#13] 1
	-	BC-123SV†	[#14] 1
	-	BC-123SA†	[#21] 1
	-	BC-123SE†	[#22] 1
	-	BC-123SE†	[#23] 1
	-	BC-123SV†	[#24] 1
EP7	-	BC-224†	1
EP8	-	BP-289†	[#11] 1
	-	BP-289†	[#13] 1
	-	BP-289†	[#14] 1
	-	BP-289†	[#21] 1
	-	BP-289†	[#23] 1
	-	BP-289†	[#24] 1
MP1	-	MB-133†	1

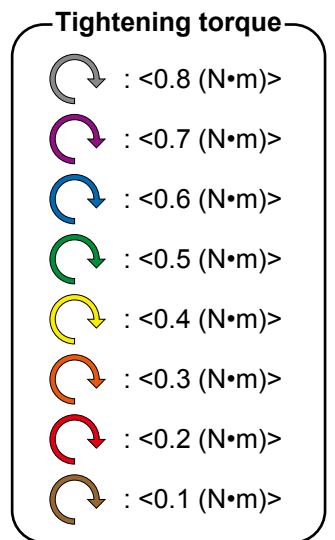
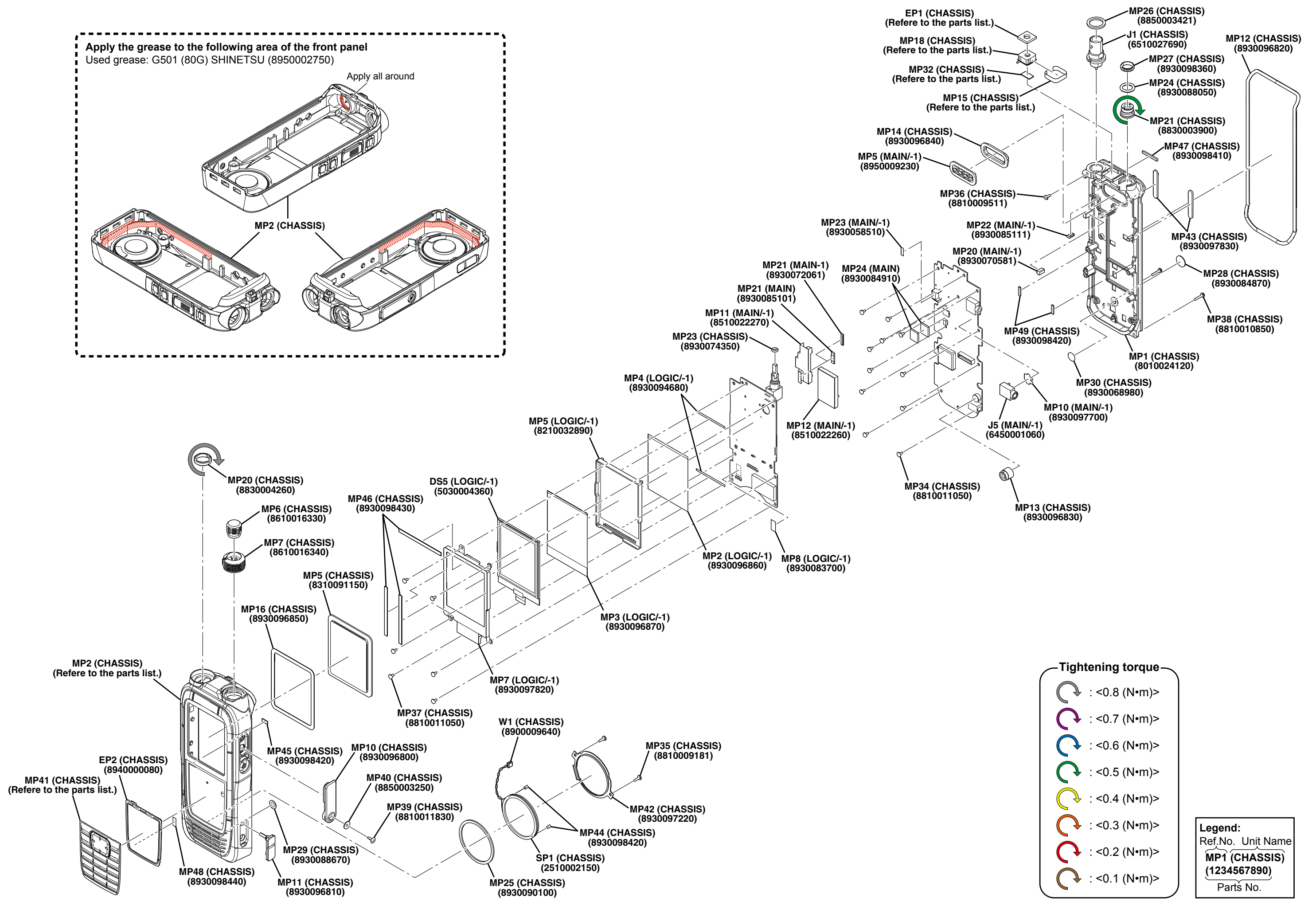
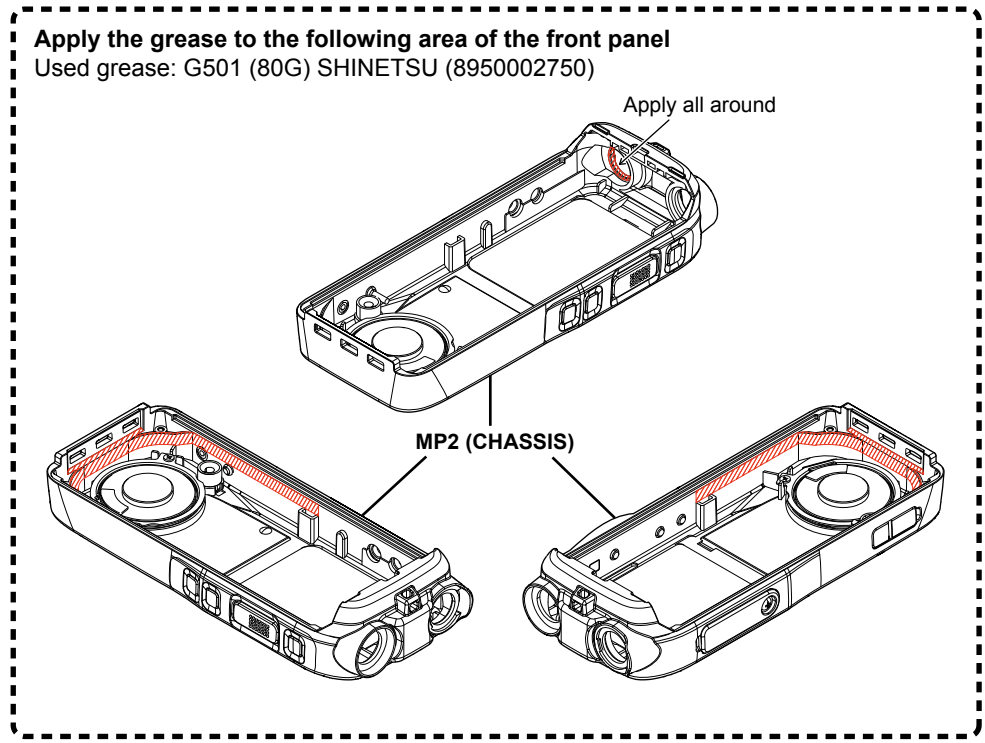
†Sold as an option.



*: Refer to "BOARD LAYOUTS" for the location.

** : Refer to "GENERAL WIRING" for the connection

Screw abbreviations A, B0, BT: Self-tapping PH: Pan head BS: Brass NI: Nickel ZU: Zinc SUS: Stainless

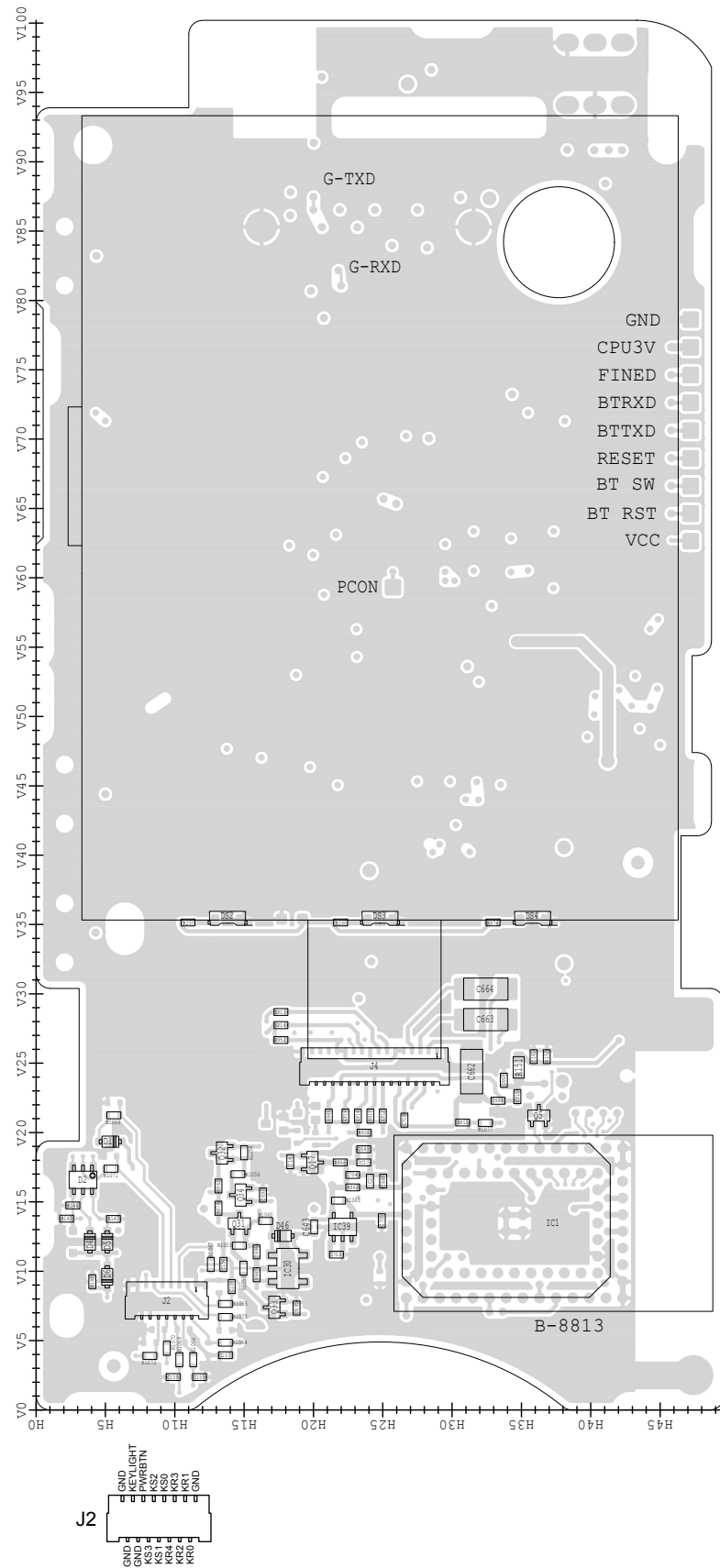


Legend:

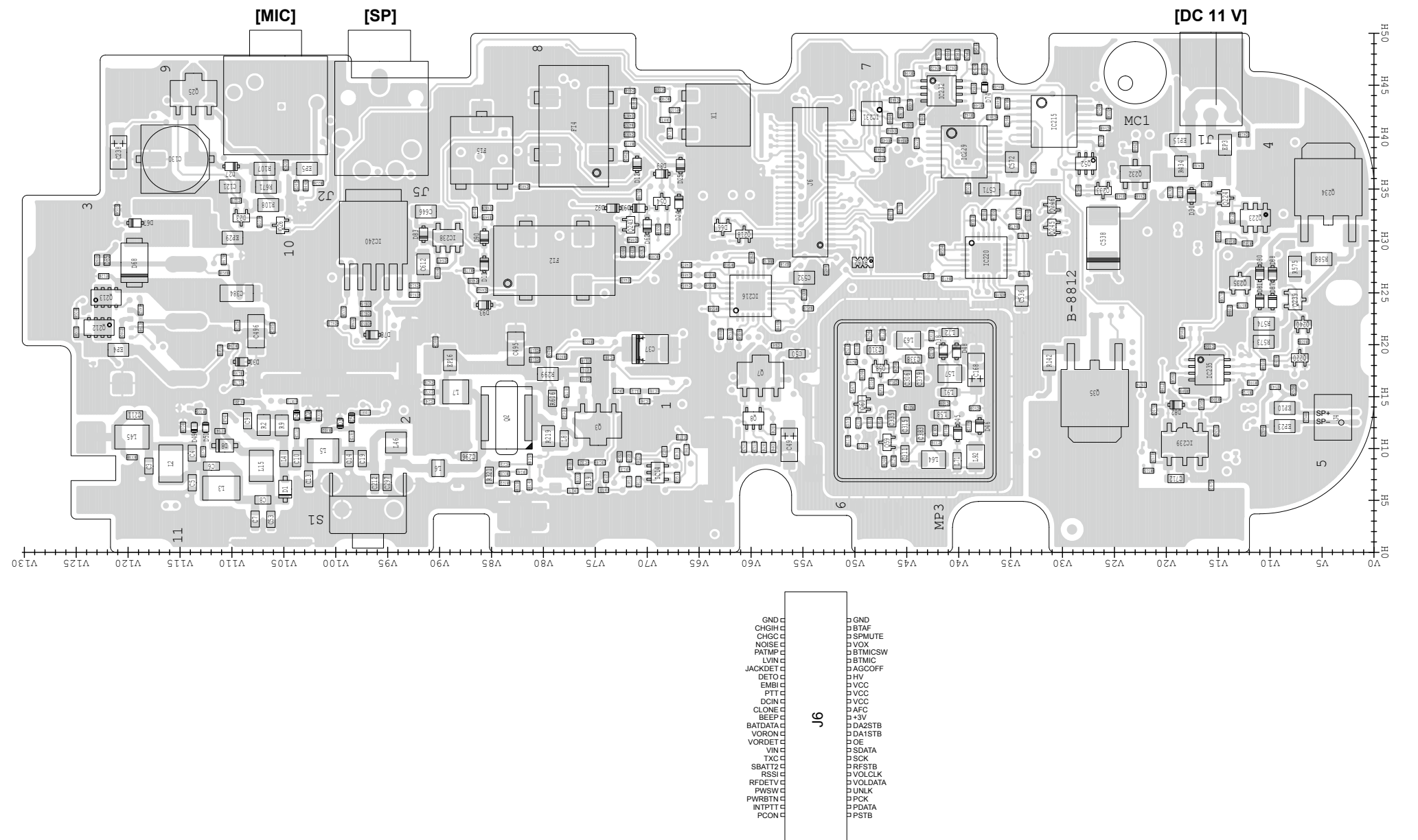
Ref.No.	Unit Name
MP1	CHASSIS
(1234567890)	
	Parts No.

The actual configuration of the PC board can be seen by viewing the top and bottom BOARD LAYOUT pages together.

• LOGIC UNIT (B-8813: Top view)

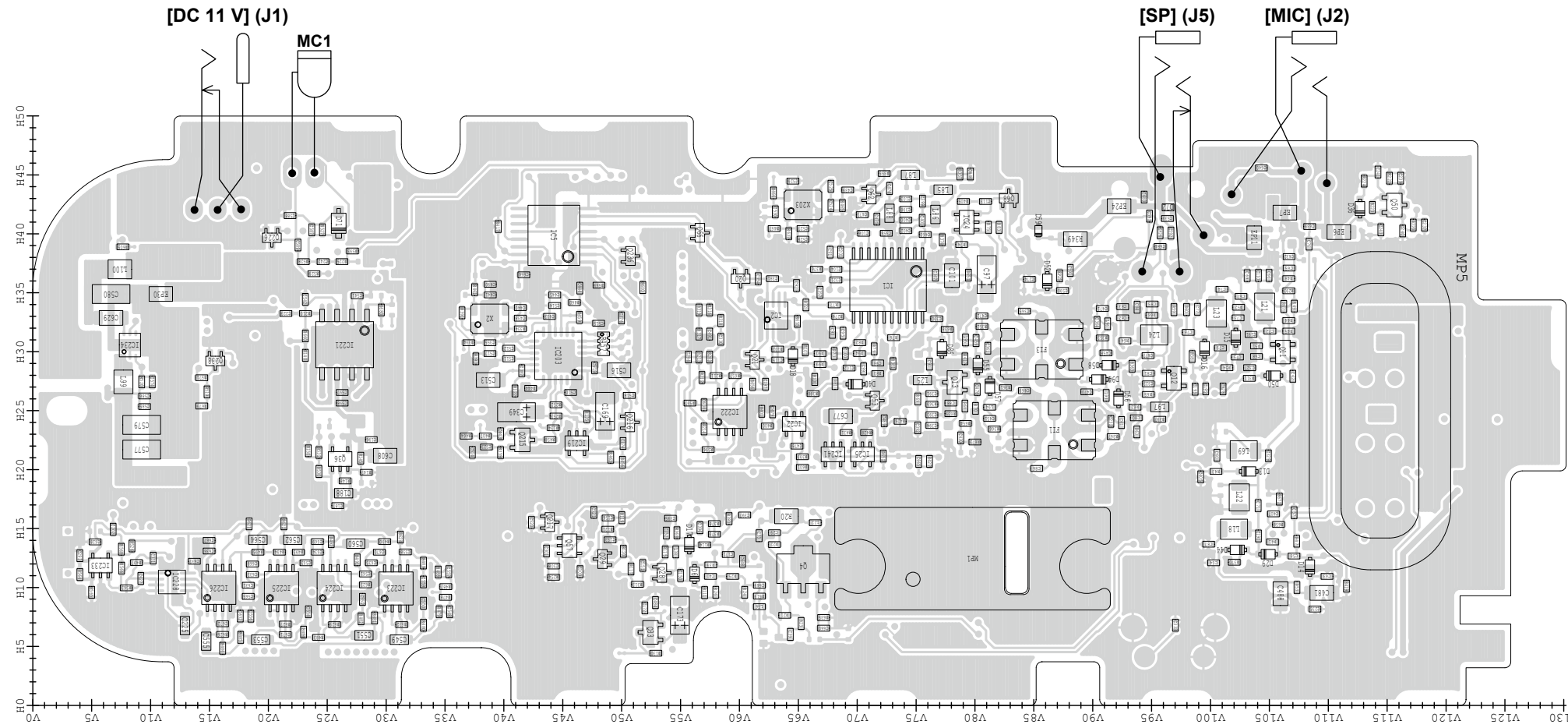


• MAIN UNIT (B-8812: Top view)

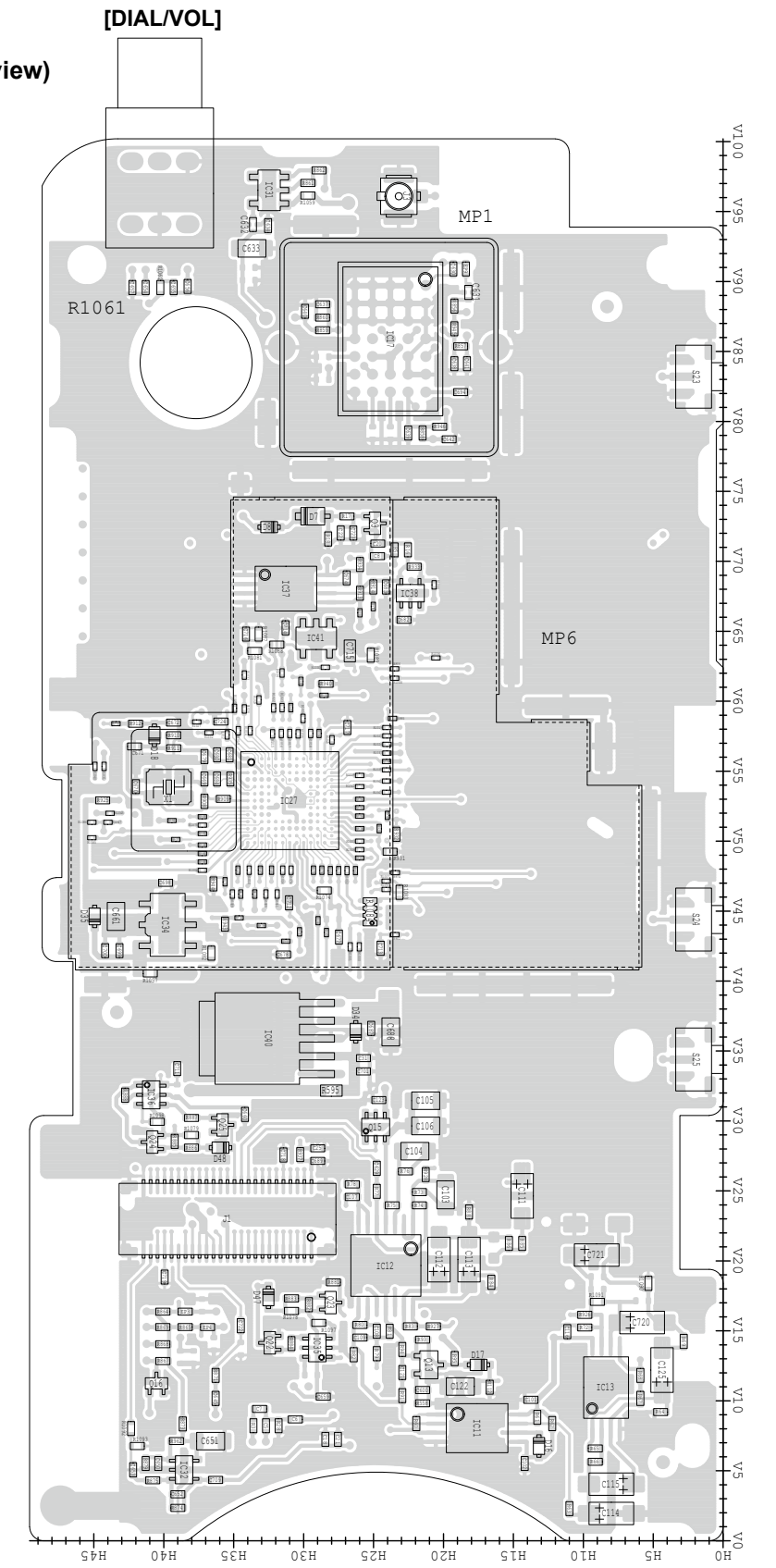


The actual configuration of the PC board can be seen by viewing the top and bottom BOARD LAYOUT pages together.

• MAIN UNIT (B-8812: Bottom view)



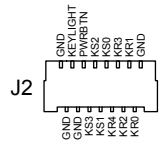
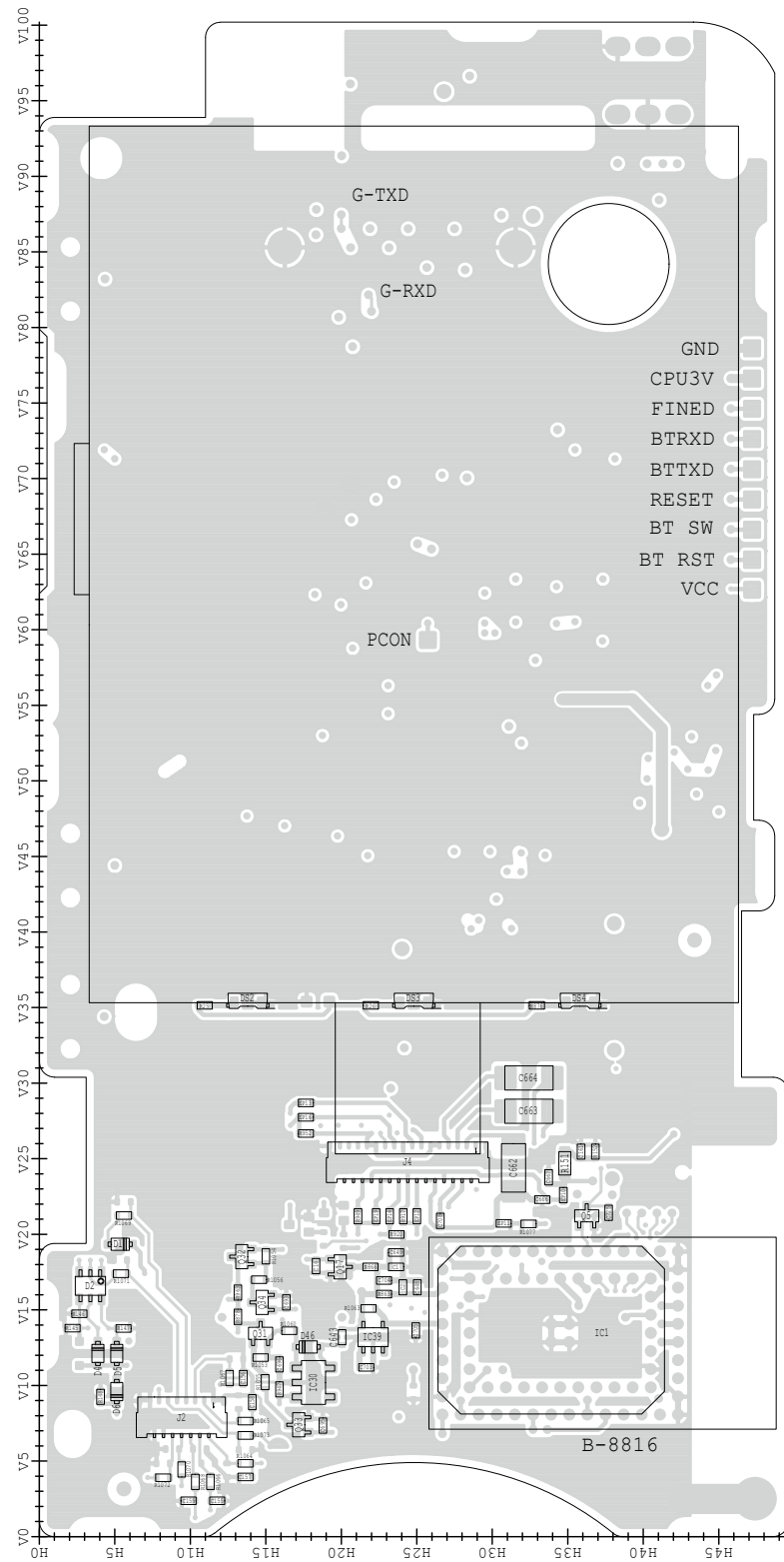
• LOGIC UNIT (B-8813: Bottom view)



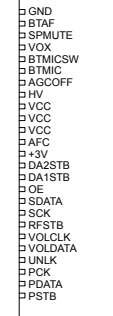
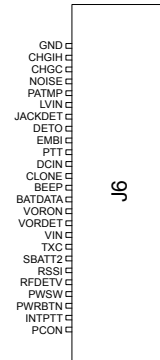
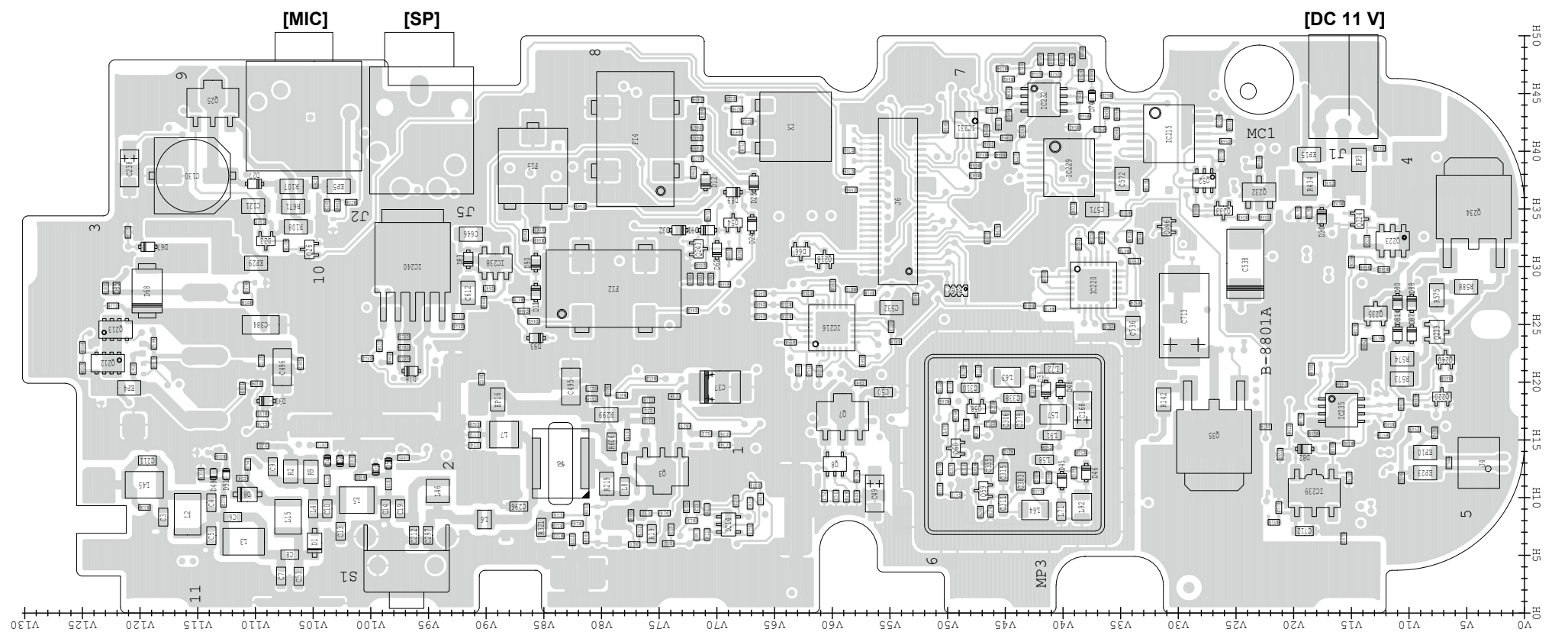
See the PARTS LIST H/V location on the PARTS LIST for location details.

The actual configuration of the PC board can be seen by viewing the top and bottom BOARD LAYOUT pages together.

• LOGIC-1 UNIT (B-8816: Top view)

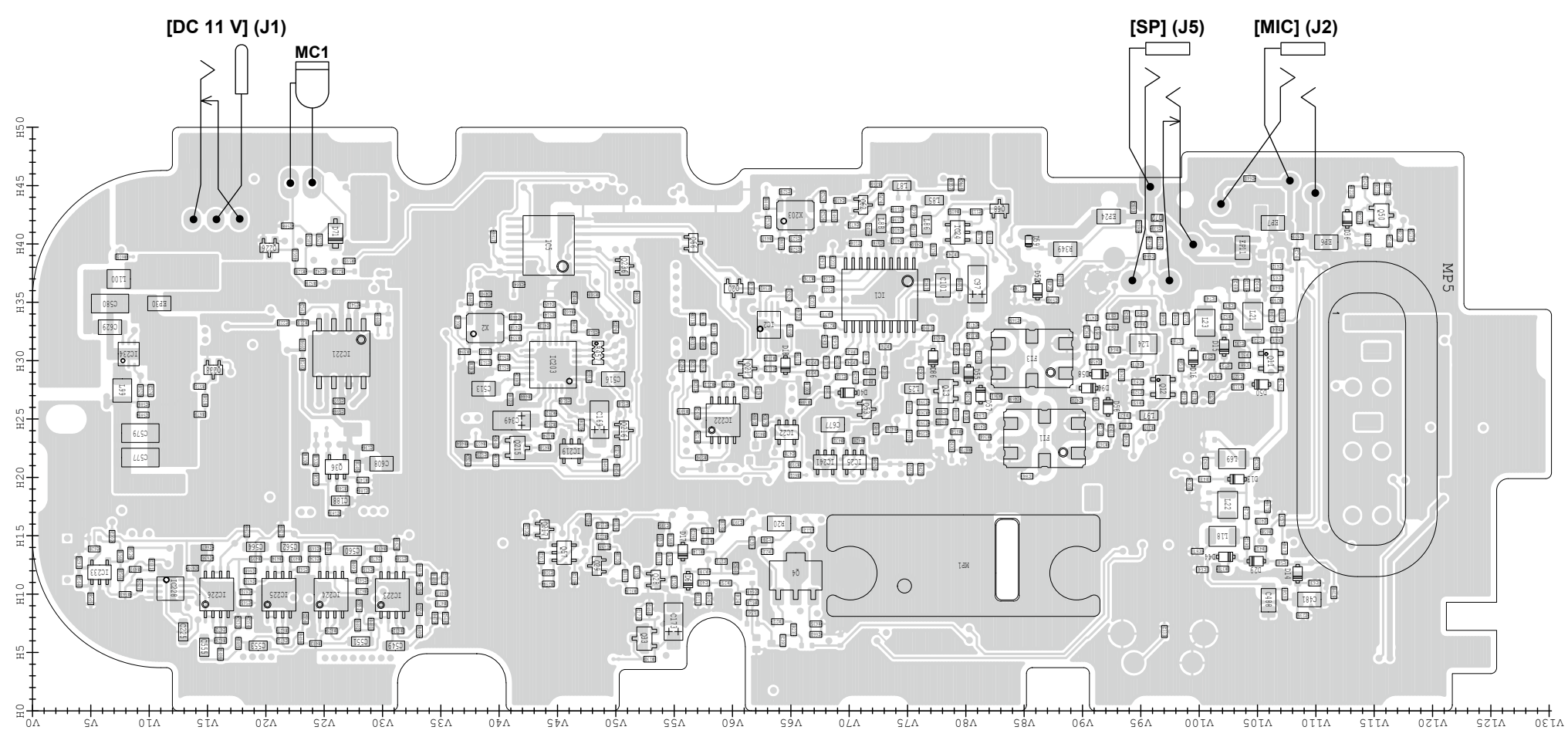


• MAIN UNIT (B-8801a: Top view)

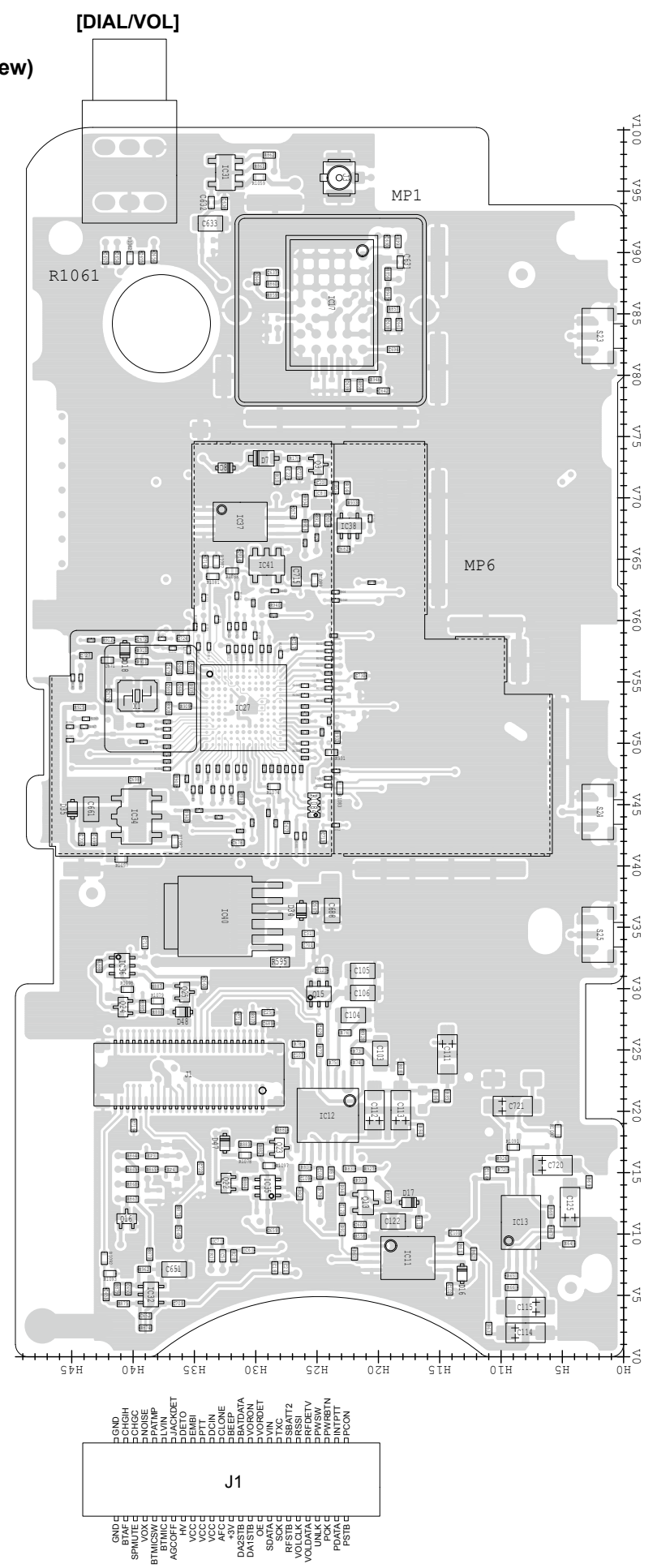


The actual configuration of the PC board can be seen by viewing the top and bottom BOARD LAYOUT pages together.

• MAIN UNIT (B-8812: Bottom view)



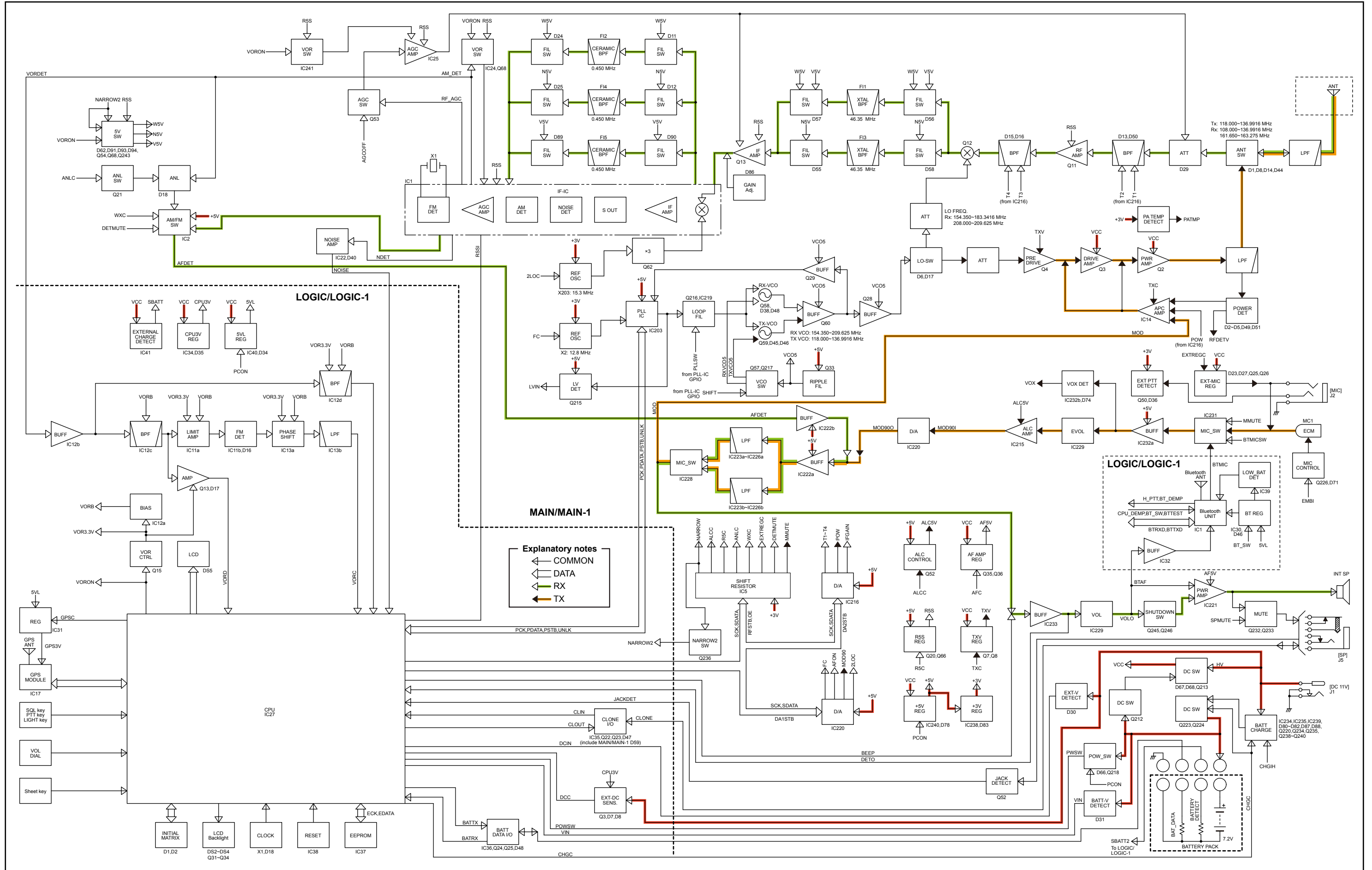
• LOGIC UNIT (B-8813: Bottom view)



See the PARTS LIST H/V location on the PARTS LIST for location details.

SECTION 8

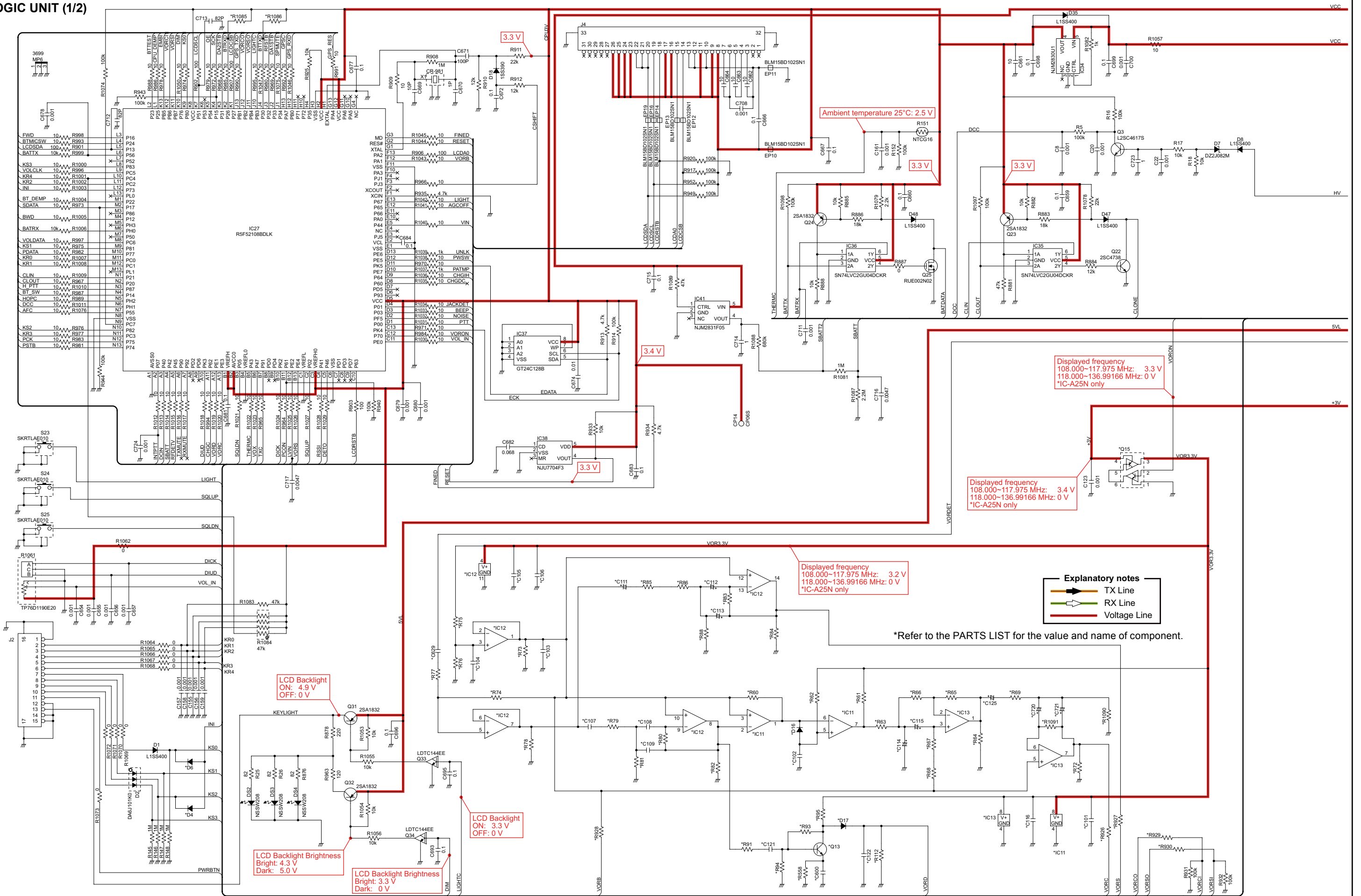
BLOCK DIAGRAM



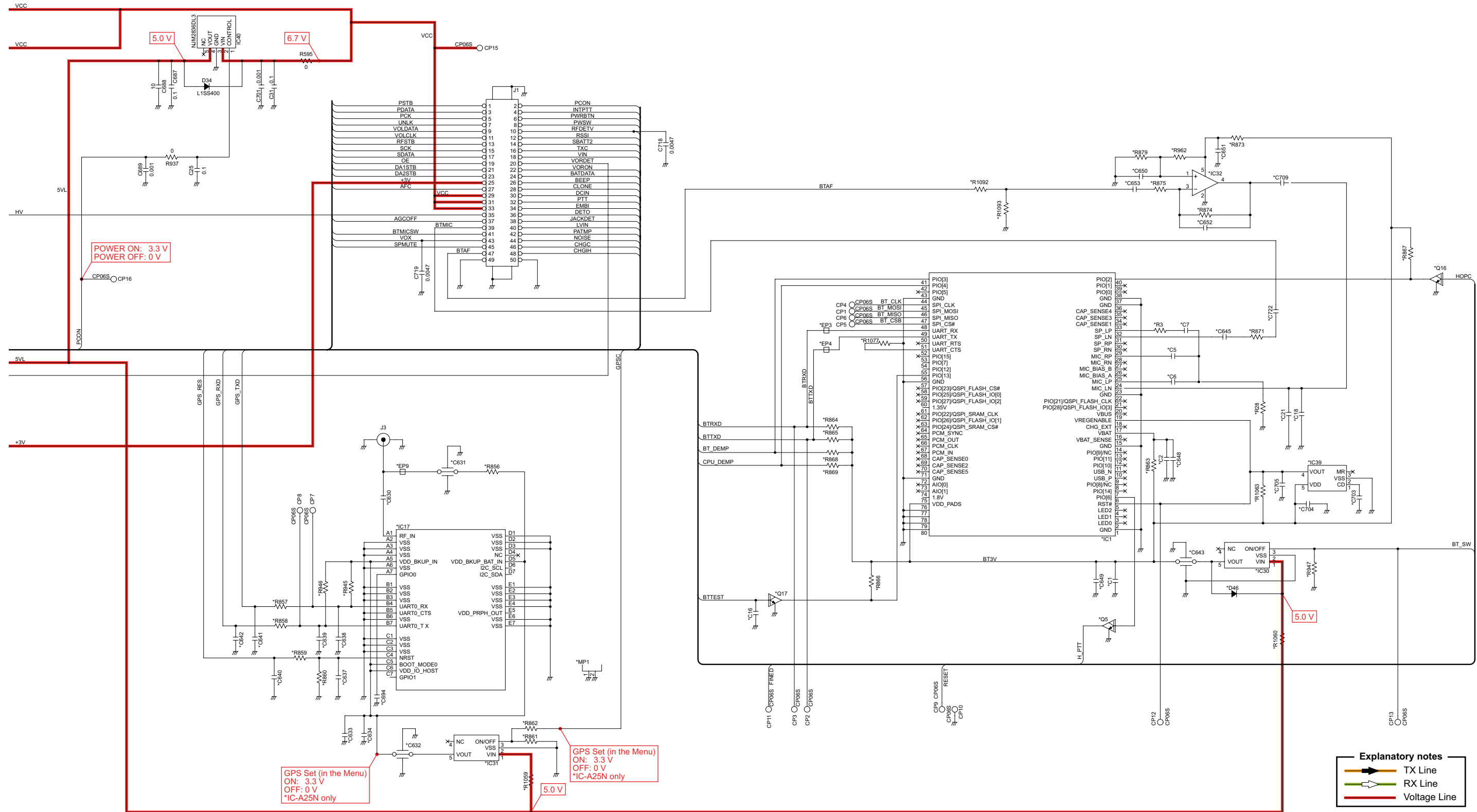
SECTION 9

VOLTAGE DIAGRAM

• LOGIC UNIT (1/2)

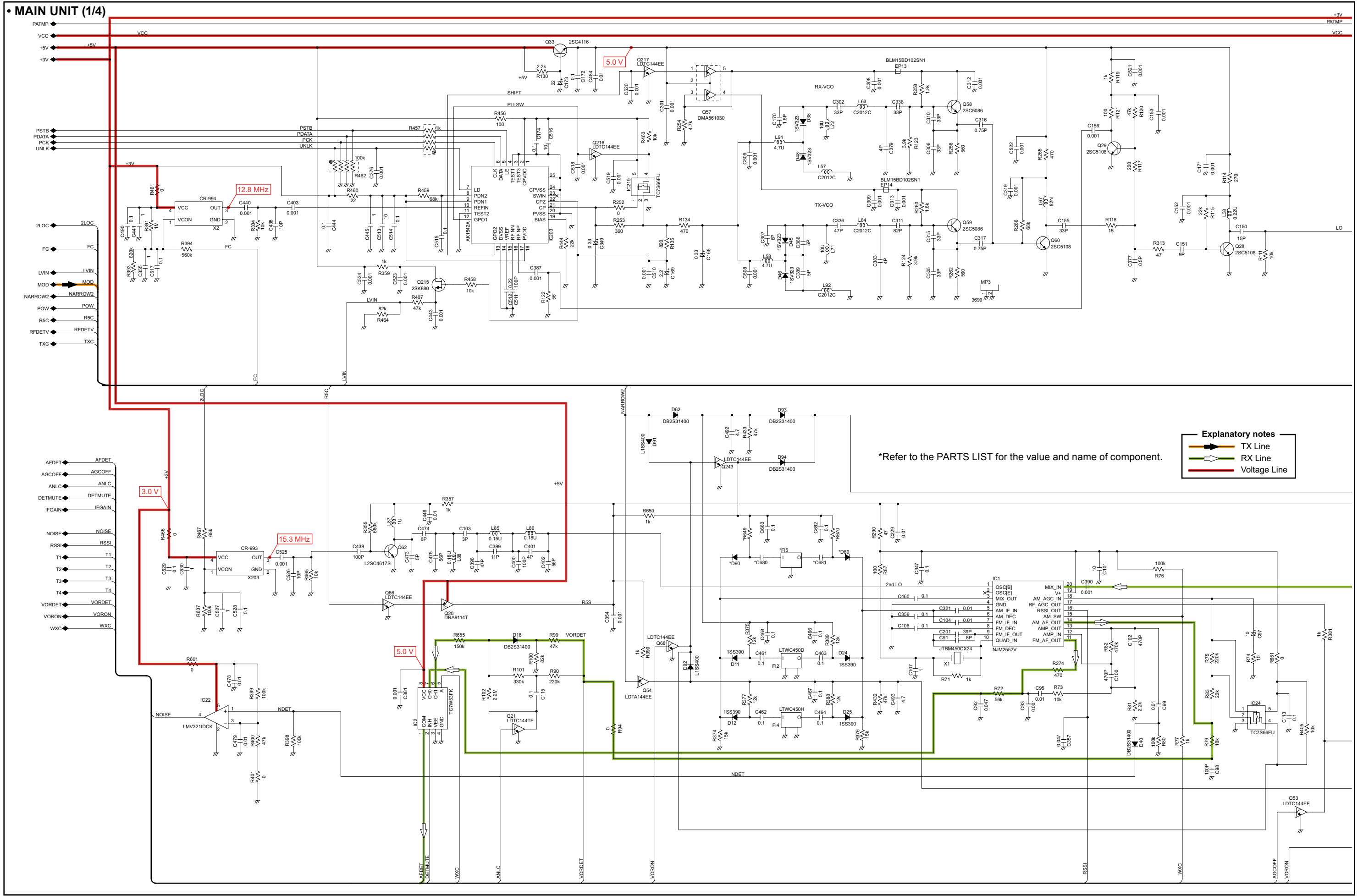


• LOGIC UNIT (2/2)



*Refer to the PARTS LIST for the value and name of component.

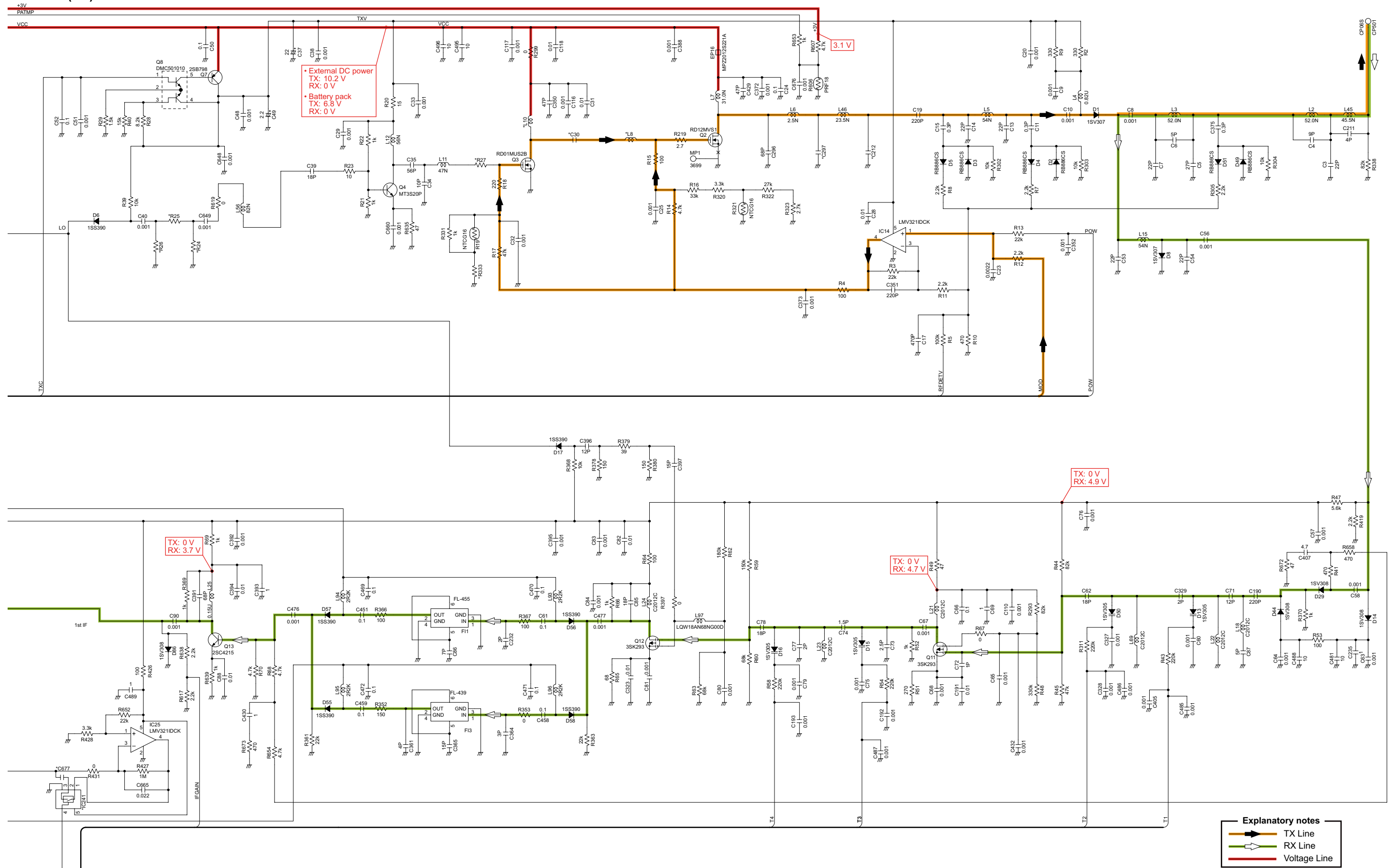
MAIN UNIT (1/4)



Explanatory notes
— TX Line
— RX Line
— Voltage Line

*Refer to the PARTS LIST for the value and name of component.

• MAIN UNIT (2/4)

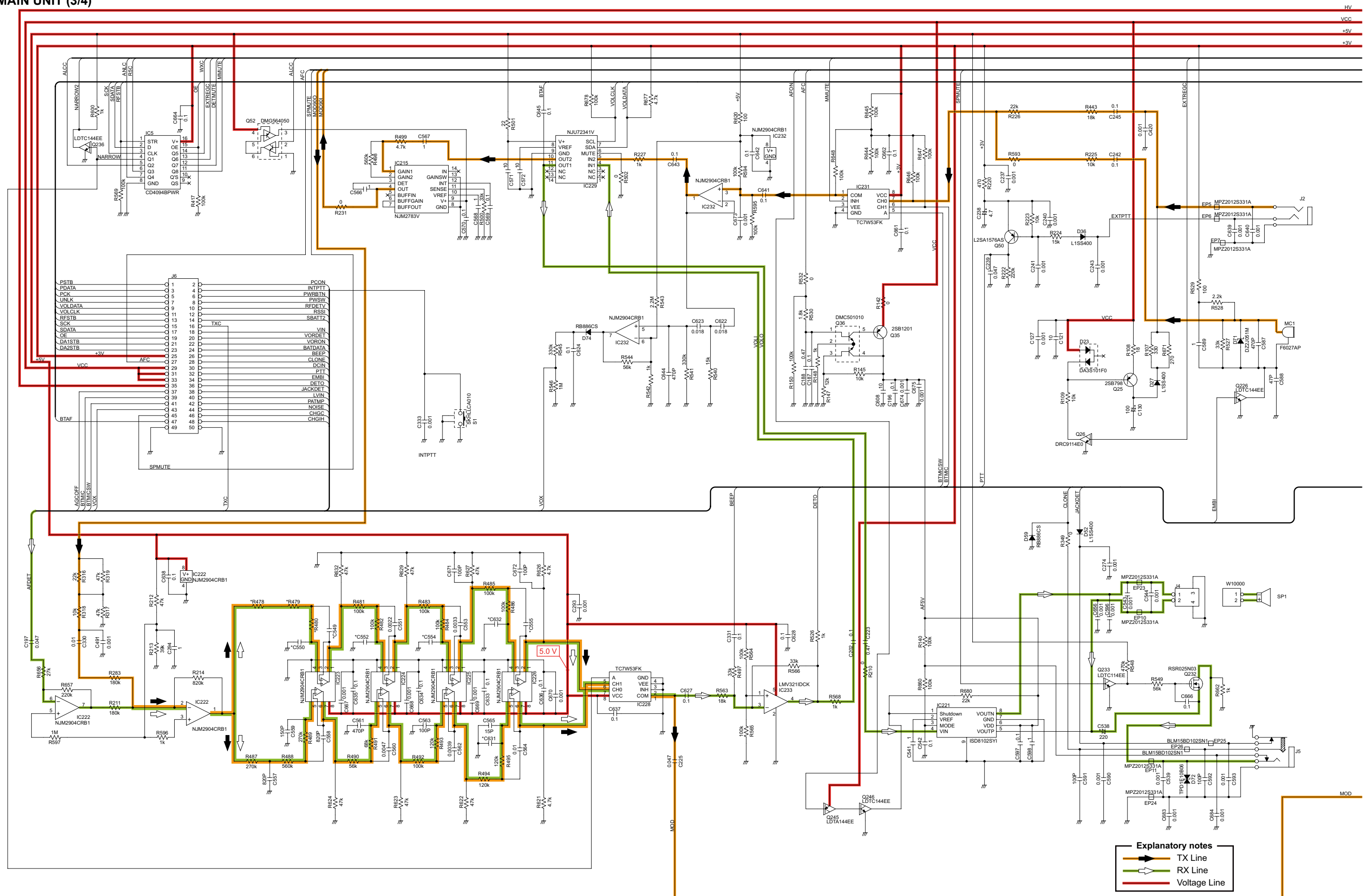


Explanatory notes

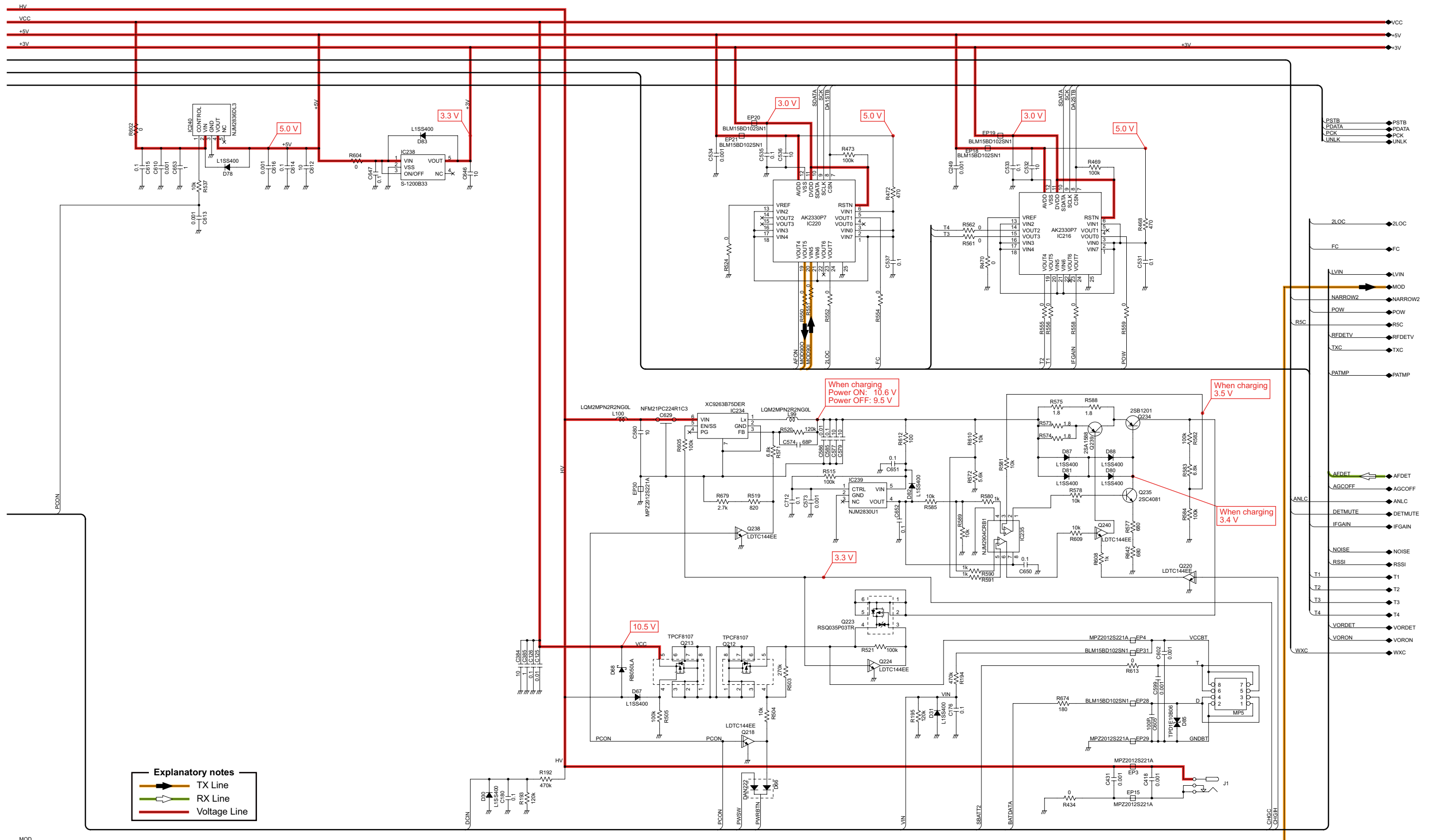
- ▶ TX Line
- ▶ RX Line
- ▶ Voltage Line

*Refer to the PARTS LIST for the value and name of component.

• MAIN UNIT (3/4)



• MAIN UNIT (4/4)

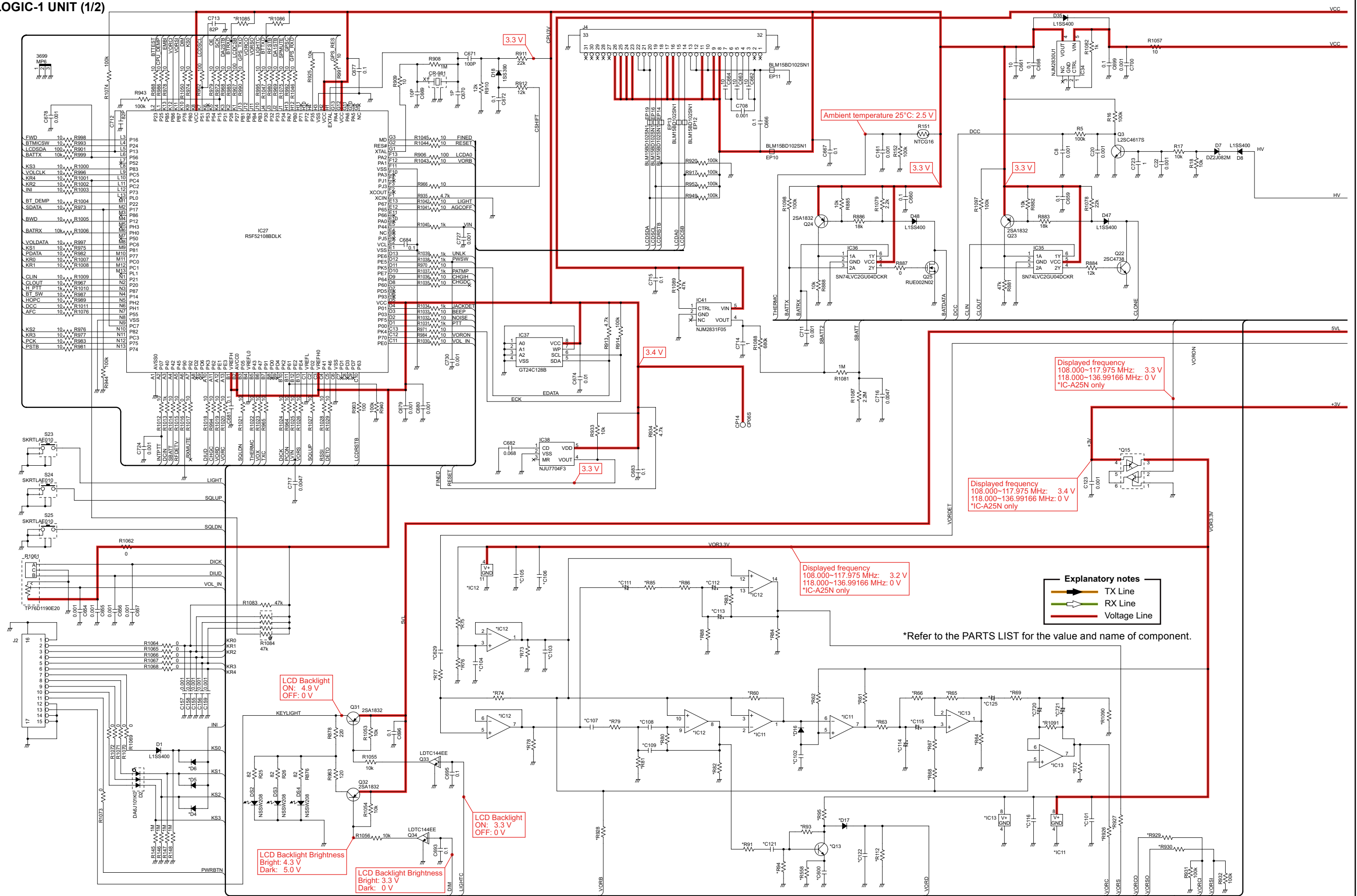


Explanatory notes

- TX Line
- RX Line
- Voltage Line

*Refer to the PARTS LIST for the value and name of component.

• LOGIC-1 UNIT (1/2)



LCD Backlight
ON: 4.9 V
OFF: 0 V

LCD Backlight Brightness
Bright: 4.3 V
Dark: 5.0 V

LCD Backlight Brightness
Bright: 3.3 V
Dark: 0 V

LCD Backlight
ON: 3.3 V
OFF: 0 V

3.4 V

3.3 V

3.3 V

Displayed frequency
108.000~117.975 MHz: 3.2 V
118.000~136.99166 MHz: 0 V
*IC-A25N only

Displayed frequency
108.000~117.975 MHz: 3.4 V
118.000~136.99166 MHz: 0 V
*IC-A25N only

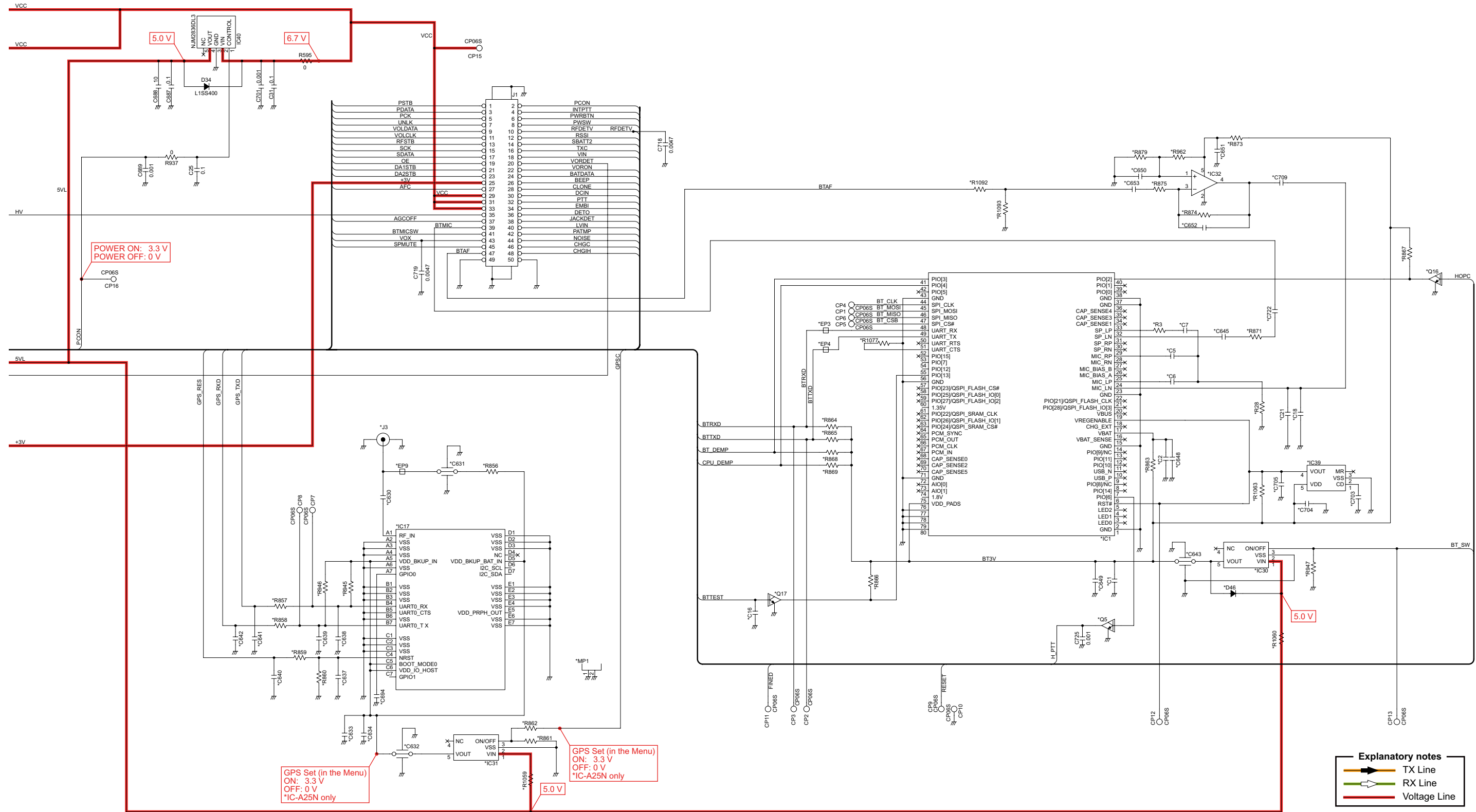
Displayed frequency
108.000~117.975 MHz: 3.3 V
118.000~136.99166 MHz: 0 V
*IC-A25N only

Ambient temperature 25°C: 2.5 V

3.3 V

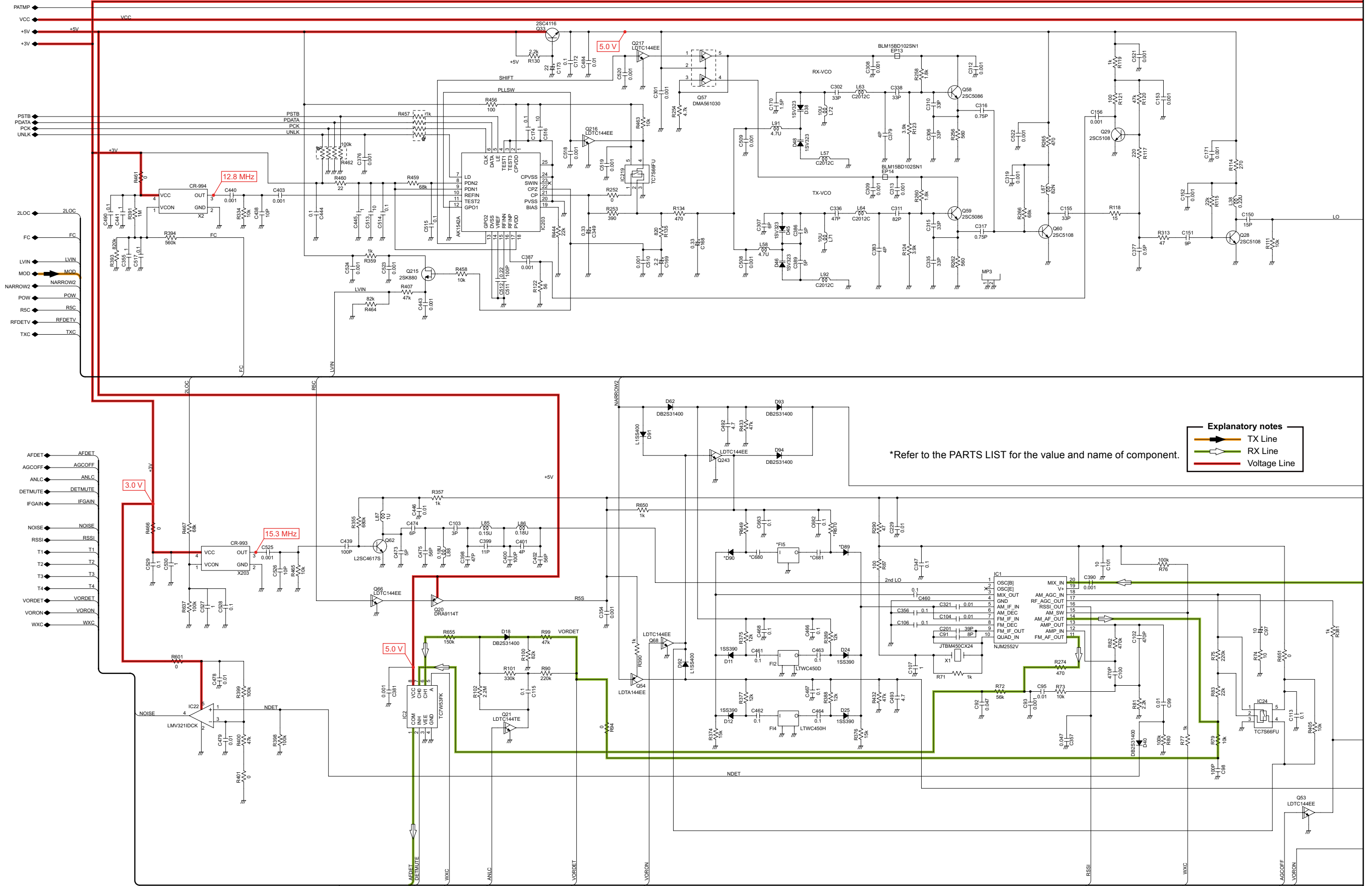
3.3 V

• LOGIC-1 UNIT (2/2)



*Refer to the PARTS LIST for the value and name of component.

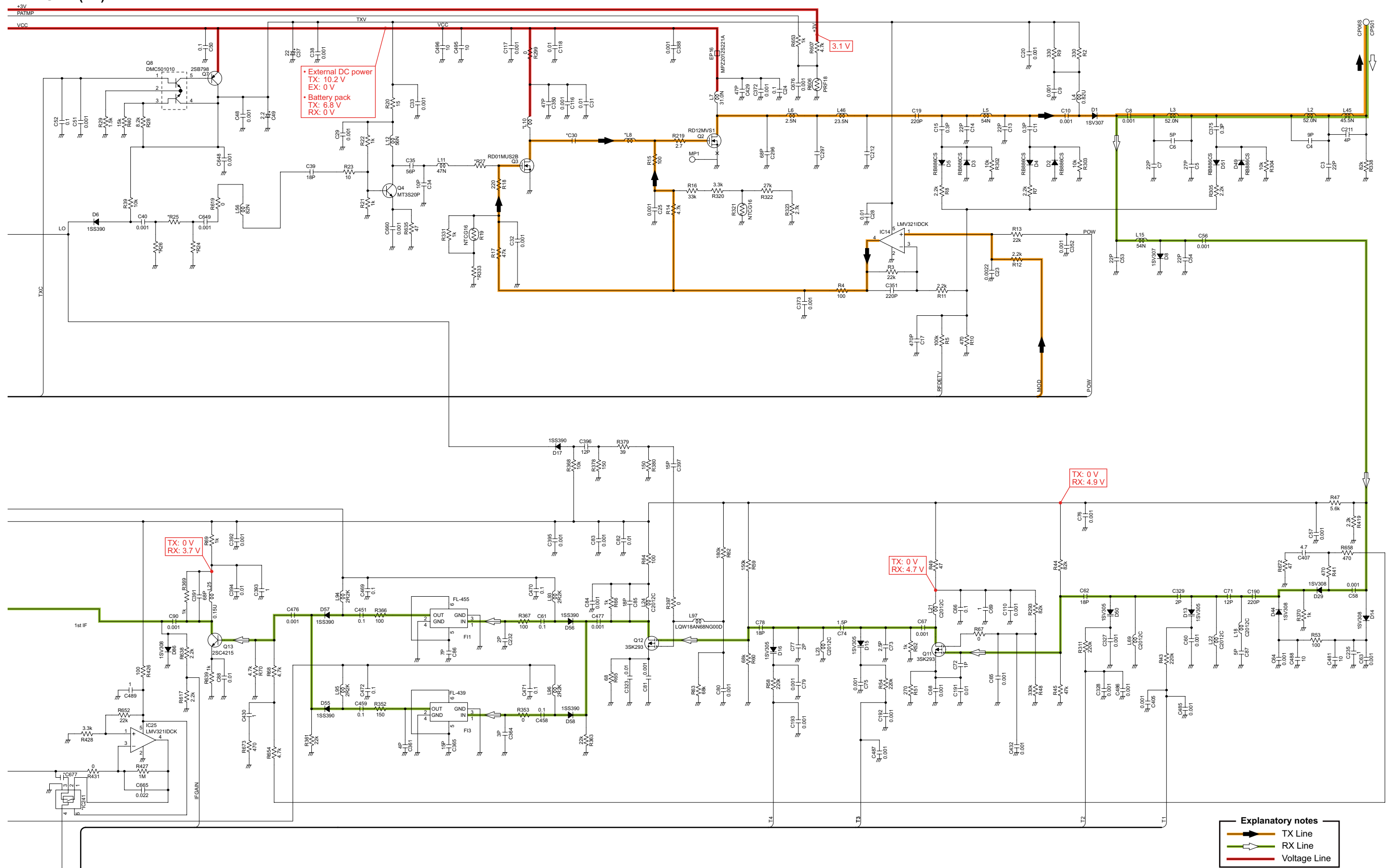
• MAIN-1 UNIT (1/4)



Explanatory notes
 TX Line
 RX Line
 Voltage Line

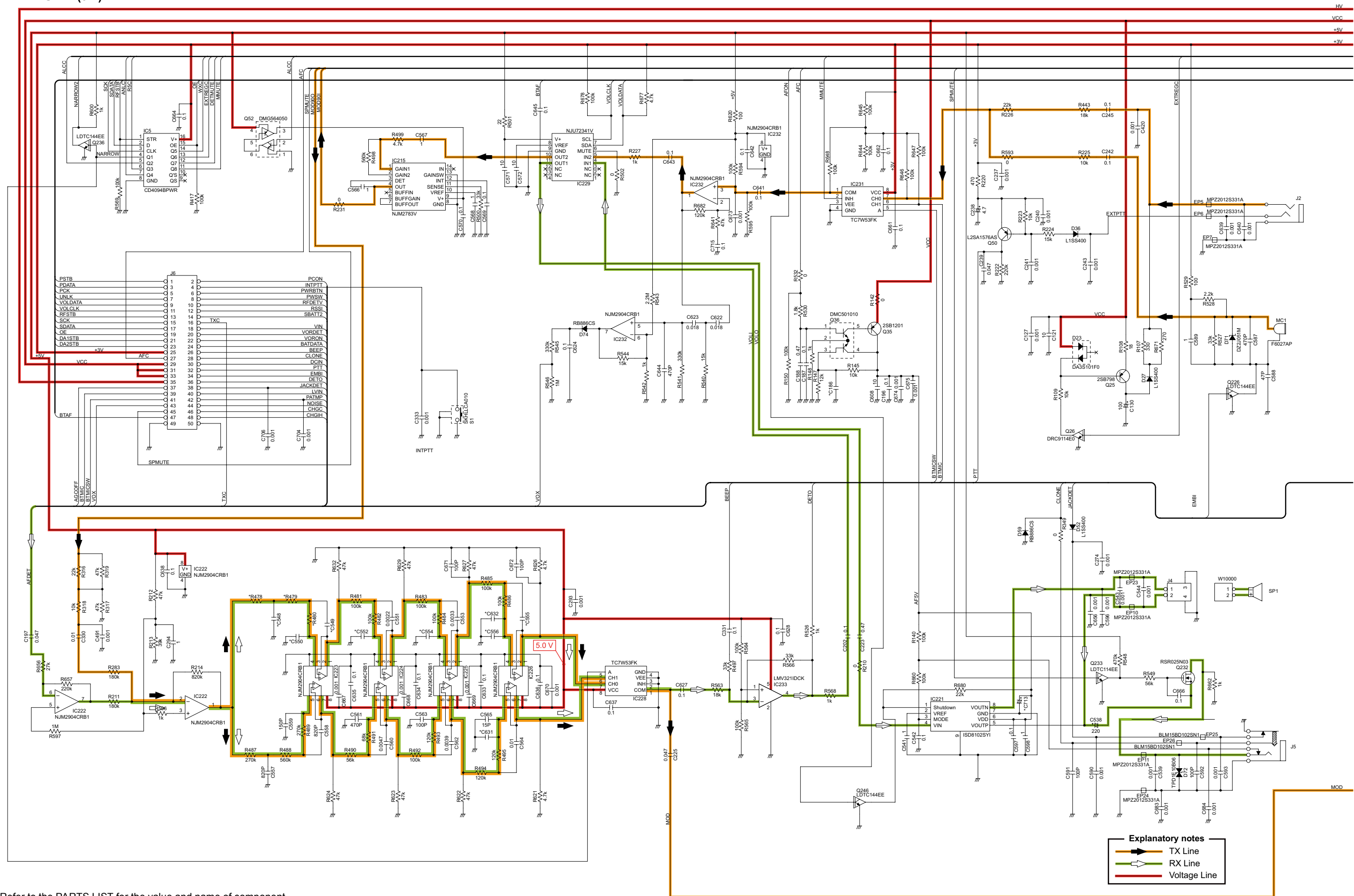
*Refer to the PARTS LIST for the value and name of component.

• MAIN-1 UNIT (2/4)



*Refer to the PARTS LIST for the value and name of component.

• MAIN-1 UNIT (3/4)

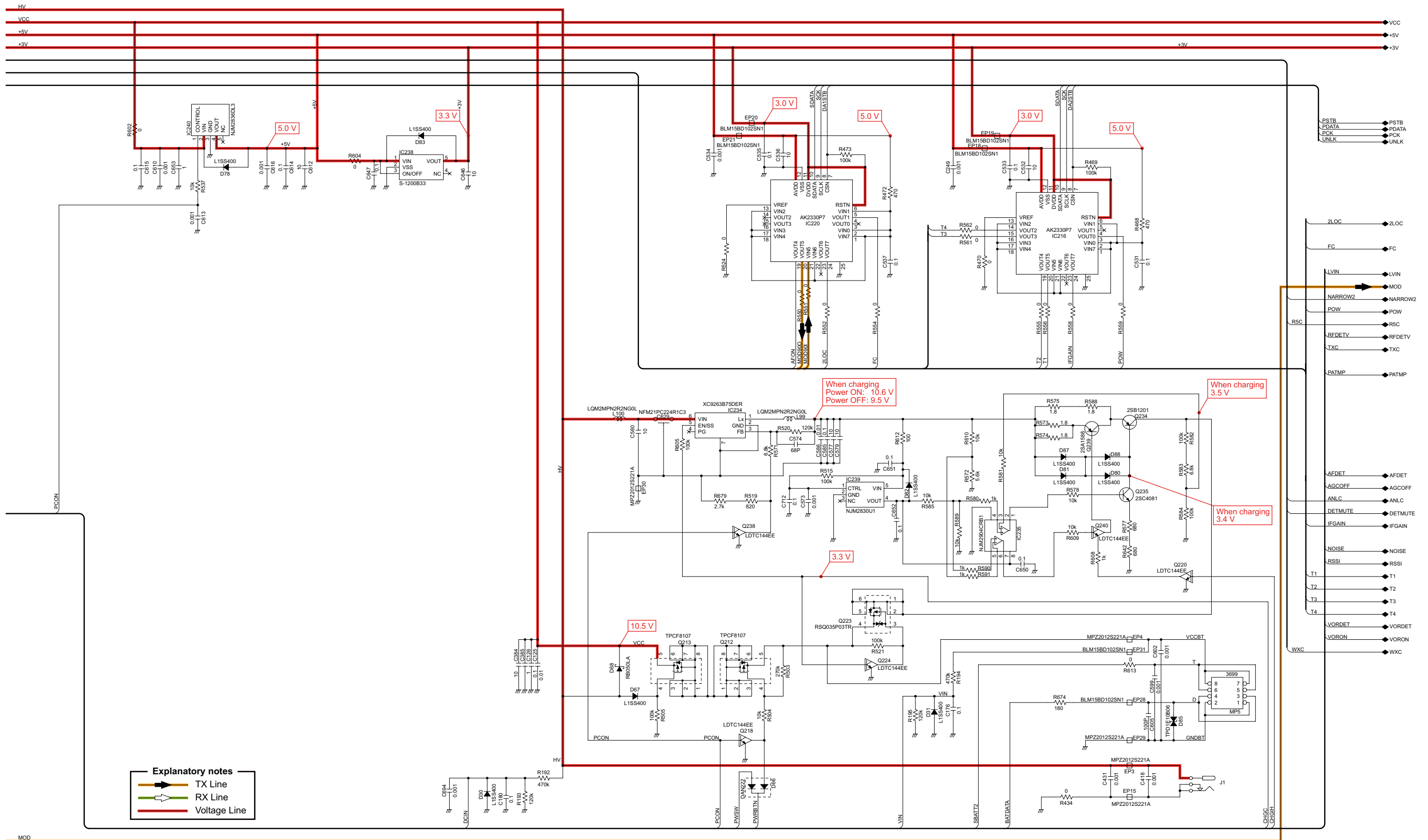


Explanatory notes

- ▶ TX Line
- ▶ RX Line
- ▶ Voltage Line

*Refer to the PARTS LIST for the value and name of component.

• MAIN-1 UNIT (4/4)



Explanatory notes

- TX Line
- RX Line
- Voltage Line

- PSTB
- PDATA
- PCK
- UNLK
- 2LOC
- FC
- LVIN
- MOD
- NARROW2
- POW
- RSC
- RFDETV
- TXC
- PATMP
- AFDET
- AGCOFF
- ANLC
- DETMUTE
- IFGAIN
- NOISE
- RSSI
- T1
- T2
- T3
- T4
- VORDET
- VORON
- WXC

*Refer to the PARTS LIST for the value and name of component.

If you have any inquiries regarding service, contact your distributor. The contact number or E-mail address of your distributor can be found on our website.

<https://www.icomjapan.com/>

