

OUTDOOR 1090MHz ANTENNA

TECHNICAL DATA SHEET

OPA_ANT1090_01

The OPA_ANT1090_01 is a high performance fiberglass outdoor antenna dedicated to the 1090MHz band (ADS-B). The high gain element is encapsulated inside a fiberglass part with a solid aluminum mounting base. A mast bracket is included to facilitate the installation on the mast. The antenna plug is optimally protected against weather influences by the sleeve of the antenna (see picture). Taping or other sealing is NOT necessary.

Features:

- Frequency: 1090 MHz band (ADS-B).
- White UV resistant pultruded fiberglass radome.
- Type N female integrated connector.
- Installation type: Mast Diam 35-60 mm

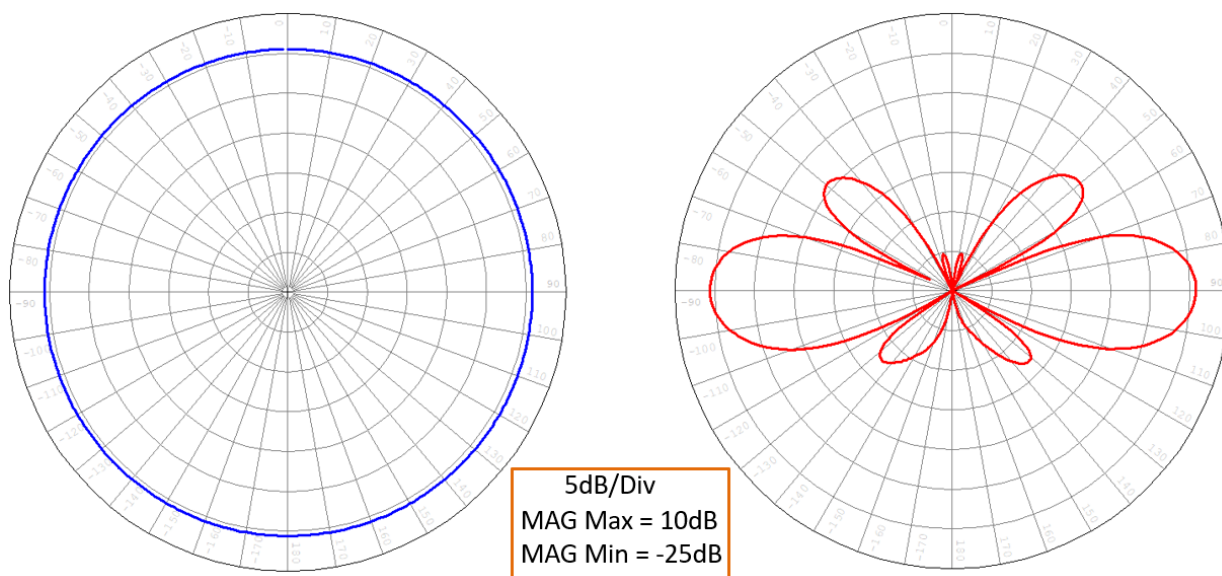
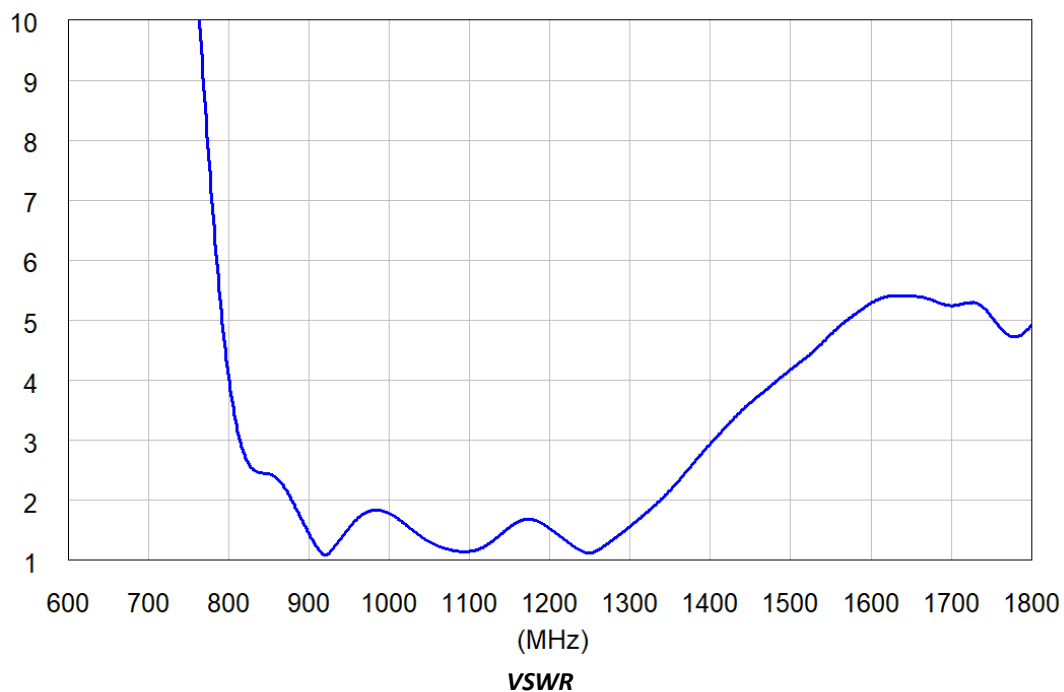
Specifications

Antenna Type	Omnidirectional
Operating Frequency	1090 MHz
Realized Gain	5 dBi
VSWR	<1.5:1
Polarization	Vertical
Nominal Input Impedance	50
Connector Type	N – Female
Dimensions	Height = 625 mm Tube Diam : 26 mm Alum. Base Diam. : 32 mm



OUTDOOR 1090MHz ANTENNA

Typical performance data:



Azimuth Radiation Pattern and Elevation Radiation Pattern

OUTDOOR 1090MHz ANTENNA

Absolute Maximum Ratings

Parameter	Absolute Maximum
RF Input Power	40dBm
Operating Temperature	-30°C to +60°C
Storage Temperature	-40°C to +70°C

Outline

