

Instructions

S100



POC RADIO
IN TOUCH TIMELY EVERYWHERE

Inrico
SINCE 2004

Inrico®

SINCE 2004

全球实时对讲



S100

使用说明书

使用前请仔细阅读本说明书并小心保管

Notes before using:

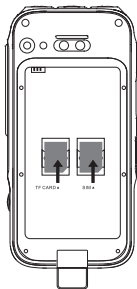
- Do not use the walkie talkie in an explosive environment (such as gas, dust, steam, etc.) or to charge the battery.
- Please turn off the walkie-talkie while refueling or parking at the gas station.
- Do not adapt or modify the machine whether there is any reason.
- Do not let the walkie talkie by prolonged direct sunlight, do not place it near a heating appliance too.
- Do not put the walkie talkie at the extremely dusty, damp and splashing place and do not place it on an unstable surface.
- The repair of the walkie talkie only can be carried out by professional technicians, do not disassemble by yourself.

**Note :**

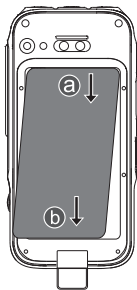
Please read above content carefully. It is very important for walkie talkie users to gain general knowledge and understanding of risk about the use of walkie talkie.

Accessory Installation

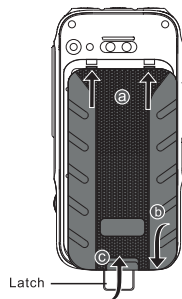
- 1** Insert SIM card and TF card



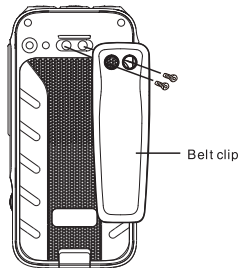
- 2** To install the battery
- (a) Insert the battery to connect with the metal at the bottom of the tank;
 - (b) Press down on the other end of the battery.



- 3** Close the battery cover
- (a) Push the battery cover until it clicks into place;
 - (b) Push the battery cover down;
 - (c) Press battery latch.
- Open the battery cover: pull battery latch, and then open the battery cover.



- 4** Install the belt clip
- (a) The belt clip should be aligned with the back screw hole
 - (b) Install the belt clip by rotating screw
- Uninstall the belt clip
Uninstall the belt clip by rotating screw until loose

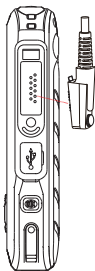


5 Install Lanyard

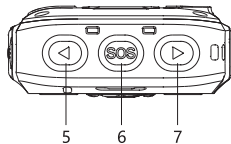
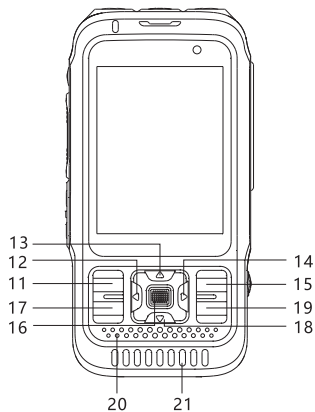


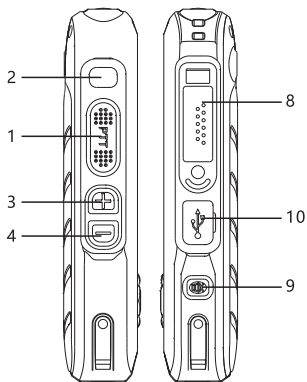
6 Installing headset

Open the cover from the top of device to show the headset sockets. Headset will work immediately after being plugged in.



Radio Overview





1	PTT	12	Navigation "Left"
2	Customized Key	13	Navigation "Up"
3	Volume + key	14	Navigation "Right"
4	Volume - key	15	Return button
5	Channel + key	16	OK key
6	SOS	17	Dial key
7	Channel - key	18	Navigation "Down"
8	M6 Port	19	Power on/of
9	Mute key	20	Speaker
10	USB Port	21	MIC
11	Menu Key		

Functions Sheet

NO.	Name	Function
1	PTT button	PTT call
2	User-defined	Short press : Lock screen (screen asleep/ screen awake) Long press : Broadcast the validity of PTT license
3	Volume+ button	Short press : volume up Long press : Volume maximization
4	Volume- button	Short press : volume down Long press : Volume minimization
5	Group switch button	Short press : Switch current channel Long press : Voice playback
6	SOS emergency button	Long press : Long press 3s SOS alarm, press PTT button to cancel the alarm
7	Group switch button	Short press : Switch group Long press : Broadcast current battery
9	Mute button	Short press : Turn on mute mode . Press again : restore
11	Confirm button/ function menu button	Click to enter the function menu, select the menu by scrolling up / down
12	Scroll left button	Click to scroll left the menu
13	Scroll up button	Click to scroll up the menu
14	Scroll right button	Click to scroll right the menu
15	Return/Exit button	Return to the previous function list
16	Confirm button/ OK button	Short press : Confirmation function Long press : Press and hold for 3 seconds to turn on / off the flashlight
18	Scroll down button	Click to scroll down the menu
19	Power button	Short press : Lock screen (Turn off/on screen) Long press : Press and hold for 3 seconds to power on/off

Basic function

● Power on

Press and hold the power button for 3 seconds to power on.

● Power off

Press and hold the power button for 3 seconds to power off.
If the device is in the charging state at this time, the device lights up in red and displays the current battery level.

● User login

Display the current user login information . after the user login successfully,

Calling used

Press the PTT button to talk.
After the app logs in normally, the breathing light starts to flash in green.
If the device is in call statue, the led light lights up red;
If the device is in listening status, the led light is green;
If the current speaking is occupied, means someone is talking, the PTT button is invalid.
The maximum call per person is limited to 60 seconds, if it exceeds 60 seconds, the speaking will be automatically released (can be set to 1-60s by APP).

● Voice playback and battery broadcast

Short press (5) button to switch group
Long press (5) button, playback last ten voices; press the PTT button, automatically return to the last voice playback
Short press (7) button to switch group
Long press the (7) button, broadcast current battery

● Flashlight

Press and hold (16) button for 3 seconds (OK button) . turn on/off flashlight.

● Patrol NFC clock in

The NFC function can only be used normally when the screen is bright (system awake state) , and the black screen (sleep state) is not available.

System Parameter

Operating system	Android	
Working temperature	-5°C ~ +55°C	
Storage temperature	-20°C ~ +70°C	
Voltage	3.8V	
Support	WiFi / Bluetooth / GPS	
Size	64.5*129.2*26mm	
Weight	~220g	
Network support	EU	FDD: B1/3/5/7/8/20/28A/28B
		TDD: B38/40/41
		WCDMA: B1/5/8
		GSM: B2/3/5/8
	US	FDD: B2/3/4/5/7/8/12/17/28A/28B/66
		TDD: B38/40
		WCDMA: B2/4/5
		GSM: B2/3/5/8
Transmit power	23dBm~30dBm@-104dBm	
Sound output power	2W@10%distortion	

LED indicators

Description	LED indicators	
	Color	Status
Log-in error	Red	Blink/1s
PTT successful	Red	On
Answer call	Green	On
Power on	Green	On
Searching network	Green	Blink/1s
Power off	Red	On
Extreme low battery (< 15%)	Red	Blink/2s
Standby	Green	Blink/5s
Charging	Red	On
Fully charged	Green	Off

Security information

Before using the device operation, please read and observe the following precautions to ensure optimum device performance, and avoid dangerous or illegal situations.

● Electronic equipment

The place of civilization provisions that has prohibited the use of wireless devices, don't use the device, otherwise it will lead to interference from other electronic devices or other hazards.

● Area with easy firing and explosion

Refueling point (service station) or near inflammable and explosive materials, flammable and explosive chemical agents in any area, and don't use the device, the device may cause an explosion or fire.

● Operating environment

Don't use the device in dusty, wet, dirty, or near magnetic fields, so as to avoid internal circuit equipment failure.

Don't use this device in a thunderstorm, thunderstorms could result in equipment malfunction or shock hazard.

Don't place in direct sunlight for too long time.

Please avoid equipment and accessories to rain or moisture, otherwise it may be caused a fire or electric shock.

Don't place the device near a heat source or exposed flame sources, such as electric heaters, microwave, oven, water heater, fire, candles or other places may high temperatures.

● Accessories requirement

Don't use unapproved or incompatible power supply, battery charger, otherwise, it may result in a fire, explosion or other hazard.

Only use manufacturer-approved equipment and equipment accessories for this model, if you use other types of accessories, it will be lead to accidental damage to the equipment, breach of warranty of the equipment.

● The charger security

When fully charged or not charged, please disconnect the charger from the device and unplug the charger from the power outlet.

Don't drop or bump the charger, if the charger is damaged, don't continue to use, to avoid accidents.

Don't touch the device and charger with wet hands to avoid short-circuiting device, malfunction or electric shock.

● **Battery Safe**

Don't use the metal objects with two poles of the battery to docking, or contact with the endpoint of the battery, to avoid the battery short circuit,

as well as damage caused by battery overheating.

Don't expose the battery to high temperature or fever around the device, and battery overheating may cause an explosion.

Don't disassemble or modify the battery, insert foreign objects or liquid intrusion, in order to avoid battery leakage, overheating, causing a fire or explosion.

If a battery leaks, don't contact with skin or eyes. If contact, immediately rinse with water and go to hospital for medical treatment.

If the battery is in the process of using, charging or saving, which have discoloration, deformation, abnormal heating phenomenon, please stop using and replace with new battery.

Don't throw batteries in a fire, otherwise it will cause fire and explosion.

Don't let children touch the battery, to avoid accidents.

Don't use a damaged battery.

When the standby time of the device is significantly shorter than normal, please replace the battery.

Dispose of batteries according to local regulations, not dispose as household waste.

Care and Cleaning

- Do not lift up antenna or an external microphone directly.
- Please use lint-free cloth to remove dust and stains from a radio to avoid poor contact.
- Please place the cover on headphone jacks when not in use .
- The keypad and sensors should be cleaned carefully with a lint-free cloth moistened with clean water and a mild washing liquid. Do not use strong corrosive solvents for cleaning.

When keeping battery for a long time:

Remove battery from device :

- Discharge the battery to 40%-65% if it will NOT be used for 10 days or more. This can greatly extend the battery life.
- The battery automatically discharges to below 65% when it is idle for more than 10 days to prevent it from swelling
- Store the battery in places that are cool and dry (with the temperature lower than 25 celsius)